

## ABOVE GROUND POOLS



- 420 • Above ground pool ladders
- 423 • Monoblocs with d.e. and cartridge filters
- 425 • Skimfilters
- 426 • Skimmers
- 427 • Underwater lights
- 427 • Garden showers



**Алматы** (7273)495-231  
**Ангарск** (3955)60-70-56  
**Архангельск** (8182)63-90-72  
**Астрахань** (8512)99-46-04  
**Барнаул** (3852)73-04-60  
**Белгород** (4722)40-23-64  
**Благовещенск** (4162)22-76-07  
**Брянск** (4832)59-03-52  
**Владивосток** (423)249-28-31  
**Владикавказ** (8672)28-90-48  
**Владимир** (4922)49-43-18  
**Волгоград** (844)278-03-48  
**Вологда** (8172)26-41-59  
**Воронеж** (473)204-51-73  
**Екатеринбург** (343)384-55-89

**Иваново** (4932)77-34-06  
**Ижевск** (3412)26-03-58  
**Иркутск** (395)279-98-46  
**Казань** (843)206-01-48  
**Калининград** (4012)72-03-81  
**Калуга** (4842)92-23-67  
**Кемерово** (3842)65-04-62  
**Киров** (8332)68-02-04  
**Коломна** (4966)23-41-49  
**Кострома** (4942)77-07-48  
**Краснодар** (861)203-40-90  
**Красноярск** (391)204-63-61  
**Курск** (4712)77-13-04  
**Курган** (3522)50-90-47  
**Липецк** (4742)52-20-81

**Магнитогорск** (3519)55-03-13  
**Москва** (495)268-04-70  
**Мурманск** (8152)59-64-93  
**Набережные Челны** (8552)20-53-41  
**Нижний Новгород** (831)429-08-12  
**Новокузнецк** (3843)20-46-81  
**Ноябрьск** (3496)41-32-12  
**Новосибирск** (383)227-86-73  
**Омск** (3812)21-46-40  
**Орел** (4862)44-53-42  
**Оренбург** (3532)37-68-04  
**Пенза** (8412)22-31-16  
**Петрозаводск** (8142)55-98-37  
**Псков** (8112)59-10-37  
**Пермь** (342)205-81-47

**Ростов-на-Дону** (863)308-18-15  
**Рязань** (4912)46-61-64  
**Самара** (846)206-03-16  
**Санкт-Петербург** (812)309-46-40  
**Саратов** (845)249-38-78  
**Севастополь** (8692)22-31-93  
**Саранск** (8342)22-96-24  
**Симферополь** (3652)67-13-56  
**Смоленск** (4812)29-41-54  
**Сочи** (862)225-72-31  
**Ставрополь** (8652)20-65-13  
**Сургут** (3462)77-98-35  
**Сыктывкар** (8212)25-95-17  
**Тамбов** (4752)50-40-97  
**Тверь** (4822)63-31-35

**Тольятти** (8482)63-91-07  
**Томск** (3822)98-41-53  
**Тула** (4872)33-79-87  
**Тюмень** (3452)66-21-18  
**Ульяновск** (8422)24-23-59  
**Улан-Удэ** (3012)59-97-51  
**Уфа** (347)229-48-12  
**Хабаровск** (4212)92-98-04  
**Чебоксары** (8352)28-53-07  
**Челябинск** (351)202-03-61  
**Череповец** (8202)49-02-64  
**Чита** (302)38-34-83  
**Якутск** (4112)23-90-97  
**Ярославль** (4852)69-52-93

Россия +7(495)268-04-70

Казахстан +7(7172)727-132

Киргизия +996(312)96-26-47

<https://astralpool.nt-rt.ru/> || [aow@nt-rt.ru](mailto:aow@nt-rt.ru)

## ABOVE GROUND POOL LADDERS

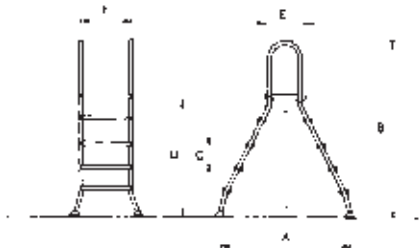
### Above ground pool Stainless Steel ladder + platform



Handrails Ø 43 in polished AISI-304 Stainless Steel with platform and steps in plastic steps.

- Pool height 1 m**  
2 x 3 steps + 1 platform
- Pool height 1.20 m**  
2 x 4 steps + 1 platform
- Pool height 1.50 m**  
2 x 5 steps + 1 platform

Code	Standard Packing	Standard Weight	Standard Volume m <sup>3</sup>
05520	1	18.2	0.07
05521	1	21.4	0.09
05522	1	24.5	0.11



Code	A	B	C	D	E	F
05520	1150	1680	240	1030	375	500
05521	1360	1920	240	1270	375	500
05522	1625	2250	240	1600	375	500

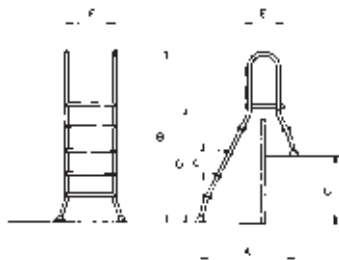
### Partially in-ground S.S. ladder + platform



Handrails Ø 43 in polished AISI-304 Stainless Steel with platform and steps in plastic steps.

- Pool height 1 m**  
1 x 3 steps + 1 step + 1 platform
- Pool height 1.20 m**  
1 x 4 steps + 1 step + 1 platform
- Pool height 1.50 m**  
1 x 5 steps + 1 step + 1 platform

Code	Standard Packing	Standard Weight	Standard Volume m <sup>3</sup>
05523	1	18.0	0.07
05524	1	18.2	0.09
05525	1	19.2	0.11



Code	A	B	C	D	E	F	G
05523	920	1680	240	1030	375	500	480
05524	1025	1920	240	1270	375	500	720
05525	1130	2250	240	1600	375	500	960

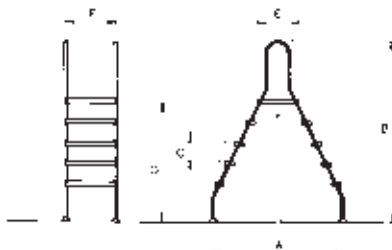
### Above ground aluminium ladder + platform



Handrails Ø 28 mm in white painted aluminium with platform and steps in plastic steps.

- Pool height 1 m**  
2 x 3 steps + 1 platform
- Pool height 1.20 m**  
2 x 4 steps + 1 platform
- Pool height 1.50 m**  
2 x 5 steps + 1 platform

Code	Standard Packing	Standard Weight	Standard Volume m <sup>3</sup>
00031	1	10.9	0.067
00032	1	12.7	0.076
00033	1	14.5	0.100



Code	A	B	C	D	E	F
00031	1120	1680	240	1050	375	500
00032	1330	1920	240	1290	375	500
00033	1540	2160	240	1530	375	500

**ABOVE GROUND POOL LADDERS**

**ECO open ladder**

Galvanized railing painted in white epoxy Ø 25 mm.



05527

Pool height 1.20 m  
2 x 4 steps

Code	Standard Packing	Standard Weight	Standard Volume m <sup>3</sup>
05527	1	10.6	0.045

**Range of ladders for above ground pools**

The new range of ladders for above ground pools (27286, 27287, 27288, 27289) has been designed giving them a new, ergonomic and attractive design and following the AFNOR NF P 90-302 standard. This item replaces the previous ladder range offered so far for above ground pools (09914, 19915, 09919). The plastic steps have an ergonomic design and are treated against UV rays. The steps also have in-built bushings, not visible externally. The pipe used is of 25 mm galvanized steel and is painted in white. In ladders having platforms, this has a large surface area, and for ladders with a security system, the front base is designed in plastic for easy assembly and use.



27286

2 x 3 steps. Pool height 0.90 m  
2 x 4 steps. Pool height 1.20 m  
2 x 3 with platform. Pool height 0.90 m  
2 x 4 with platform. Pool height 1.20 m  
2 x 4 with platform and security system. Pool height 1.20 m

Code	Standard Packing	Standard Weight	Standard Volume m <sup>3</sup>
27286	1	8.20	0.028
27287	1	10.06	0.036
27288	1	10.89	0.047
27289	1	12.54	0.056
27290	1	15.61	0.056



27287



27289



27290



27288

## SAND FILTER MONOBLOCS



### Compact monobloc Ø 300 mm Top Hoop

Fully fitted with a 1/4 HP pump and G.S.certified. Flow rate 3.5 m<sup>3</sup>/h. Includes 4 way multiport valve and connection accessories (Ø 38 mm).

Code	Standard Packing	Standard Weight	Standard Volume m <sup>3</sup>
09688	1	10.5	0.09



### Compact monobloc Ø 380 mm Top Hoop

Fully fitted with a 1/3 HP Sena pump. Flow rate 5.5 m<sup>3</sup>/h. Includes 6 way multiport valve (1 1/2") and connection accessories (Ø 38 mm). Silex not included.

Code	Standard Packing	Standard Weight	Standard Volume m <sup>3</sup>
25449	1	15	0.21

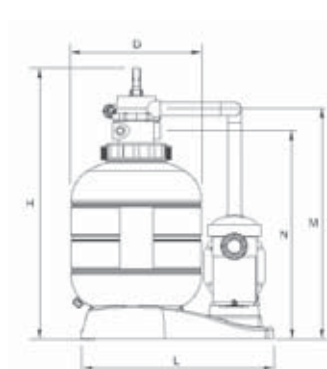


### Millennium monoblocs Top Thread

Top mounted valve with Sena pump. Includes 6 way multiport valve, pressure gauge, air relief and water purge valves. Threaded filter cover.

- Ø 380 mm
- Ø 430 mm
- Ø 480 mm
- Ø 560 mm

Code	Standard Packing	Standard Weight	Standard Volume m <sup>3</sup>
27805	1	26	0.33
23342	1	27	0.33
23343	1	31	0.44
23344	1	35	0.48



Code	27805	23342	23343	23344
D	380	430	480	560
H	905	955	975	1055
M	735	815	835	915
N	670	735	755	815
L	710	715	835	835
Connections	1 1/2"	1 1/2"	1 1/2"	1 1/2"
Flow rate m <sup>3</sup> /h	5.5	7	9	12
Filtration surface m <sup>2</sup>	0.113	0.145	0.18	0.246
Sand kg	40	60	80	110
Max. working pressure kg/cm <sup>2</sup>	2.5	2.5	2.5	2
Sena pump	1/3 HP	1/3 HP	1/2 HP	3/4 HP

**MONOBLOCS WITH D.E. AND CARTRIDGE FILTERS**

**Cel monoblocs with diatomaceous earth filters**



Consists of one Cel model diatomaceous earth filter, Astramax pump and a polypropylene base. To see the amount of diatomaceous earth, needed please see Cel series filter.

	Code	Standard Packing	Standard Weight	Standard Volume m <sup>3</sup>
Cel 30. Flow rate 6.8 m <sup>3</sup> /h	<b>18557</b>	1	-	-
Cel 40. Flow rate 9 m <sup>3</sup> /h	<b>18558</b>	1	-	-
Cel 50. Flow rate 11.4 m <sup>3</sup> /h	<b>18559</b>	1	-	-
Cel 70. Flow rate 15.9 m <sup>3</sup> /h	<b>18560</b>	1	-	-

**Cartridge**



	Code	Standard Packing	Standard Weight	Standard Volume m <sup>3</sup>
For Cel 30 filter	<b>19789</b>	1	2.5	0.016
For Cel 40 filter	<b>19790</b>	1	3.4	0.024
For Cel 50 filter	<b>19791</b>	1	4.2	0.031
For Cel 70 filter	<b>19792</b>	1	4.9	0.039

**Terra monobloc with cartridge filter**



Made of PP and fibreglass. Filtered with a pressure geuge and an air relief value. High filtration capacity and easy maintenance. 2" outlet (supplied with a reduction to 1½"). Filtration velocity of 1.8 m<sup>3</sup>/h x m<sup>2</sup>. Maximum working pressure: 2.5 kg/cm<sup>2</sup>.

	Code	Standard Packing	Standard Weight	Standard Volume m <sup>3</sup>
Terra 50. Flow rate 8.4 m <sup>3</sup> /h	<b>18549</b>	1	18.3	0.22
Terra 75. Flow rate 12.5 m <sup>3</sup> /h	<b>18550</b>	1	19.4	0.22
Terra 100. Flow rate 16.5 m <sup>3</sup> /h	<b>18551</b>	1	20.5	0.25
Terra 150. Flow rate 25 m <sup>3</sup> /h	<b>18552</b>	1	-	-

**Cartridge**



	Code	Standard Packing	Standard Weight	Standard Volume m <sup>3</sup>
For Terra 50 filter	<b>19785</b>	1	1.7	0.016
For Terra 75 filter	<b>19786</b>	1	2.0	0.024
For Terra 100 filter	<b>19787</b>	1	2.5	0.031
For Terra 150 filter	<b>19788</b>	1	3.1	0.03

## CARTRIDGE FILTERS

### Cylindrical cartridge filter



Made of unalterable plastics, transparent polycarbonate lid. One polyester fabric filtration cartridge. Connections 1½". Filtration surface 4.6 m². Flow rate 10 m³/h.

	Code	Standard Packing	Standard Weight	Standard Volume m³
Spare cartridge	00648	1	4.03	0.031
	00652	1	0.66	0.008

### Cylindrical double cartridge filter



Made of unalterable plastics, transparent polycarbonate lid. One polyester fabric filtration cartridge. Connections 1½". Filtration surface 4.6 m². Flow rate 10 m³/h.

	Code	Standard Packing	Standard Weight	Standard Volume m³
Spare cartridge	00649	1	5.54	0.048
	04720	1	1.16	0.005

### 2000 litre compact cartridge filter



Extended range of cartridge filters with 2000 model for above ground pools. The filter housing is made of Polypropylene. The upper lid is sealed by bayonet. The cartridge used is made of cellulose for easy cleaning, with a flow of 2000 litres per hour. It is compact, with a suction inlet of Ø 32 mm and a pool return of Ø 25 mm.

	Code	Standard Packing	Standard Weight	Standard Volume m³
	19932	1	-	0.048

### Cylindrical cartridge filter with in-built pump



Flow rate 5 m³/h at 4.5 m head 220 V. Made of unalterable plastics with transparent Polycarbonate lid. Cartridge in Polyester fabric. With inlet and outlet hoses. Filtration surface 2.3 m².

	Code	Standard Packing	Standard Weight	Standard Volume m³
Spare cartridge	00650	1	12.48	0.090
	00652	1	0.66	0.008



On request, these cartridge filters can be assembled as compact monobloc units on a single base or trolley.

**SKIMFILTERS**

**Internal skimfilter for self-supporting pools**

Ø 160 mm. Motor 12 V (50 Hz). Transformer 230-12V-50 Hz. GS certified. Includes cartridge. With a white PP hook for hanging on the above ground pool. Spare cartridge: 09037R0200/1.



	Code	Standard Packing	Standard Weight	Standard Volume m <sup>3</sup>
Skimfilter, flow rate 4 m <sup>3</sup> /h	<b>30943</b>	1	5.12	0.025
Skimfilter, flow rate 2 m <sup>3</sup> /h	<b>27587</b>	1	4.74	0.025

**Internal skimfilter for panel pools**

Ø 160 mm. Motor 12 V (50 Hz). Transformer 230-12V-50 Hz. GS certified. Includes cartridge and a plastic hook for metallic panel pools. Spare cartridge: 09037R0200/1.



	Code	Standard Packing	Standard Weight	Standard Volume m <sup>3</sup>
Skimfilter, flow rate 4 m <sup>3</sup> /h	<b>30899</b>	1	5.12	0.025
Skimfilter, flow rate 2 m <sup>3</sup> /h	<b>27586</b>	1	4.50	0.025

**Skimfilter pack**

Flow rate 3.8 m<sup>3</sup>/h. Mini-skimmer mouth, 2" inlet connection. Motor 12 V (50 Hz). Transformer 230-12V 50Hz. CE-GS certified. Includes cartridge. For fixing to pool outer wall. Spare cartridge: 09037R0200/1.



	Code	Standard Packing	Standard Weight	Standard Volume m <sup>3</sup>
	<b>30889</b>	1	6.45	0.038



## SKIMMERS



### Floating skimmer

Ø 160 mm. Maximum flow rate 5 m<sup>3</sup>/h. Outer connections Ø 32 mm and Ø 38 mm. With narrow plastic hook designed for panel pools.

Code	Standard Packing	Standard Weight	Standard Volume m <sup>3</sup>
16573	1	1.3	0.024



### Mini-skimmer with inlet

Skimmer connections Ø 32 mm and Ø 38 mm.

Code	Standard Packing	Standard Weight	Standard Volume m <sup>3</sup>
20889	1	2.2	0.019



### Mini-skimmer with wide mouth with inlet for panel pools

Skimmer connections Ø 32 mm and Ø 38 mm.

Code	Standard Packing	Standard Weight	Standard Volume m <sup>3</sup>
33350	1	3.5	0.03



## UNDERWATER LIGHTS

### Underwater light with bracket for hanging in above ground pools

230 V connection, transformer 230/12V, 75 W 12V lamp. Protection class III IP-68.



#### For pannel pool:

	Code	Standard Packing	Standard Weight	Standard Volume m <sup>3</sup>
Square	21397	1	3.4	0.009
Round	21579	1	3.4	0.009

#### For above ground pool:

Square	38930	1	3.4	0.009
Round	38931	1	3.4	0.009

## GARDEN SHOWERS

### Garden shower

Adjustable to 2 heights (1.50 and 2.25 m). Quick connection to garden hose 13, 15 or 19 mm.



	Code	Standard Packing	Standard Weight	Standard Volume m <sup>3</sup>
	18142	1	1.2	0.007

## LINER REPAIRING KIT

### Liner repairing kit

1 tube of 20 ml adhesive for liner and 2 liner strips. (PVC) transparent.



	Code	Standard Packing	Standard Weight	Standard Volume m <sup>3</sup>
	24624	50	0.07	0.02

Алматы (7273)495-231  
Ангарск (3955)60-70-56  
Архангельск (8182)63-90-72  
Астрахань (8512)99-46-04  
Барнаул (3852)73-04-60  
Белгород (4722)40-23-64  
Благовещенск (4162)22-76-07  
Брянск (4832)59-03-52  
Владивосток (423)249-28-31  
Владикавказ (8672)28-90-48  
Владимир (4922)49-43-18  
Волгоград (844)278-03-48  
Вологда (8172)26-41-59  
Воронеж (473)204-51-73  
Екатеринбург (343)384-55-89

Иваново (4932)77-34-06  
Ижевск (3412)26-03-58  
Иркутск (395)279-98-46  
Казань (843)206-01-48  
Калининград (4012)72-03-81  
Калуга (4842)92-23-67  
Кемерово (3842)65-04-62  
Киров (8332)68-02-04  
Коломна (4966)23-41-49  
Кострома (4942)77-07-48  
Краснодар (861)203-40-90  
Красноярск (391)204-63-61  
Курск (4712)77-13-04  
Курган (3522)50-90-47  
Липецк (4742)52-20-81

Магнитогорск (3519)55-03-13  
Москва (495)268-04-70  
Мурманск (8152)59-64-93  
Набережные Челны (8552)20-53-41  
Нижний Новгород (831)429-08-12  
Новокузнецк (3843)20-46-81  
Ноябрьск (3496)41-32-12  
Киров (8332)68-02-04  
Омск (3812)21-46-40  
Орел (4862)44-53-42  
Оренбург (3532)37-68-04  
Пенза (8412)22-31-16  
Петрозаводск (8142)55-98-37  
Псков (8112)59-10-37  
Пермь (342)205-81-47

Ростов-на-Дону (863)308-18-15  
Рязань (4912)46-61-64  
Самара (846)206-03-16  
Санкт-Петербург (812)309-46-80  
Саратов (845)249-38-78  
Севастополь (8692)22-31-93  
Саранск (8342)22-96-24  
Симферополь (3652)67-13-56  
Смоленск (4812)29-41-54  
Сочи (862)225-72-31  
Ставрополь (8652)20-65-13  
Сургут (3462)77-98-35  
Сыктывкар (8212)25-95-17  
Тамбов (4752)50-40-97  
Тверь (4822)63-31-35

Тольятти (8482)63-91-07  
Томск (3822)98-41-53  
Тула (4872)33-79-87  
Тюмень (3452)66-21-18  
Ульяновск (8422)24-23-59  
Улан-Удэ (3012)59-97-51  
Уфа (347)229-48-12  
Хабаровск (4212)92-98-04  
Чебоксары (8352)28-53-07  
Челябинск (351)202-03-61  
Череповец (8202)49-02-64  
Чита (3022)38-34-83  
Якутск (4112)23-90-97  
Ярославль (4852)69-52-93

Россия +7(495)268-04-70

Казахстан +7(7172)727-132

Киргизия +996(312)96-26-47

<https://astralpool.nt-rt.ru/> || [aow@nt-rt.ru](mailto:aow@nt-rt.ru)