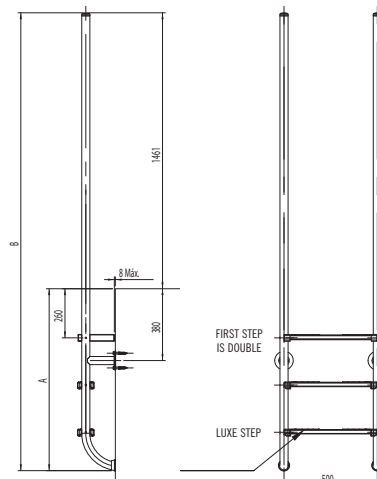
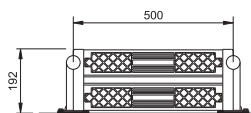




Elegantly designed stepladders with vertical bars that provide easier access to the pool. Manufactured in AISI 316 with 2 anchors. The ladders incorporates a double step with non-slip material for added safety and comfort. Available in 3 or 4 steps. Two versions of the Signature range with IPE wood and wood-free version. The stylized version with IPE wood is a perfect complement for the rest of Pluvium range. Wood quality and durability, comfortable to hold. Both models come with a 3 years guarantee.

	Code	Standard Packaging	Standard Weight kg	Standard Volume m ³
Elegance Inox				
3 steps ladder	45782	1	14	0.089
4 steps ladder	45783	1	15	0.089
Elegance Ipé - Inox				
3 steps ladder	45900	1	14	0.089
4 steps ladder	45901	1	15	0.089

Code	Code	Steps	A	B
45782	45900	2 + 1 safety step	960	2421
45783	45901	3 + 1 safety step	1210	2671



POOL ACCESS - LADDERS

Made of Stainless Steel AISI-316 and injected plastic parts. Easy to use and maintain. Automatic lifting device driven by a 24v cc single phase motor reducer. IP-67 isolation for all the electrical and electronic components. The different components are controlled by an electronic plate. The system is operated by two push-button (up and down) placed on the rail. Ergonomic and functional design.

	Code	Standard Packaging	Standard Weight kg	Standard Volume m ³
	32409	1	75	3.66



- Алматы (7273)495-231
- Ангарск (3955)60-70-56
- Архангельск (8182)63-90-72
- Астрахань (8512)99-46-04
- Барнаул (3852)73-04-60
- Белгород (4722)40-23-64
- Благовещенск (4162)22-76-07
- Брянск (4832)59-03-52
- Владивосток (423)249-28-31
- Владикавказ (8672)28-90-48
- Владимир (4922)49-43-18
- Волгоград (84)278-03-48
- Вологда (8172)26-41-59
- Воронеж (473)204-51-73
- Екатеринбург (343)384-55-89

- Иваново (4932)77-34-06
- Ижевск (3412)26-03-58
- Иркутск (395)279-98-46
- Казань (843)206-01-48
- Калининград (4012)72-03-81
- Калуга (4842)92-23-67
- Кемерово (3842)65-04-62
- Киров (8332)68-02-04
- Коломна (4966)23-41-49
- Кострома (4942)77-07-48
- Краснодар (861)203-40-90
- Красноярск (391)204-63-61
- Курск (4712)77-13-04
- Курган (3522)50-90-47
- Липецк (4742)52-20-81

- Магнитогорск (3519)55-03-13
- Москва (495)268-04-70
- Мурманск (8152)59-64-93
- Набережные Челны (8552)20-53-41
- Нижний Новгород (831)429-08-12
- Новокузнецк (3843)20-46-81
- Ноябрьск (3496)41-32-12
- Новосибирск (383)227-86-73
- Омск (3812)21-46-40
- Орел (4862)44-53-42
- Оренбург (3532)37-68-04
- Пенза (8412)22-31-16
- Петрозаводск (8142)55-98-37
- Псков (8112)59-10-37
- Пермь (342)205-81-47

- Ростов-на-Дону (863)308-18-15
- Рязань (4912)46-61-64
- Самара (846)206-03-16
- Санкт-Петербург (812)309-46-40
- Саратов (845)249-38-78
- Севастополь (8692)22-31-93
- Саранск (8342)22-96-24
- Симферополь (3652)67-13-56
- Смоленск (4812)29-41-54
- Сочи (862)225-72-31
- Ставрополь (8652)20-65-13
- Сургут (3462)77-98-35
- Сыктывкар (8212)25-95-17
- Тамбов (4752)50-40-97
- Тверь (4822)63-31-35

- Тольятти (8482)63-91-07
- Томск (3822)98-41-53
- Тула (4872)33-79-87
- Тюмень (3452)66-21-18
- Ульяновск (8422)24-23-59
- Улан-Удэ (3012)59-97-51
- Уфа (347)229-48-12
- Хабаровск (4212)92-98-04
- Чебоксары (8352)28-53-07
- Челябинск (351)202-03-61
- Череповец (8202)49-02-64
- Чита (3022)38-34-83
- Якутск (4112)23-90-97
- Ярославль (4852)69-52-93

Россия +7(495)268-04-70

Казахстан +7(7172)727-132

Киргизия +996(312)96-26-47

<https://astralpool.nt-rt.ru/> || aow@nt-rt.ru

POOL ACCESS - LADDERS

Komfort 650 ladders



Ladder for domestic or commercial pools with the new Komfort step, which allows fixing to the rails without the need for screws. The Komfort step provides better safety, resistance and a wider support surface that reduces strain and makes it easier to get in and out of the pool. Handrails in polished Stainless Steel 43 mm.

	Code	Standard Packaging	Standard Weight kg	Standard Volume m ³
Komfort 650 - 3 steps	43269	1	12	0.147
Komfort 650 - 4 steps	43270	1	15	0.147

Komfort 1000 ladders for overflow pools



Ladder for domestic or commercial deck level pools with the new Komfort step, which allows fixing to the rails without the need for screws. The Komfort step provides better safety, resistance and a wider support surface that reduces strain and makes it easier to get in and out of the pool. Handrails in polished Stainless Steel 43 mm.

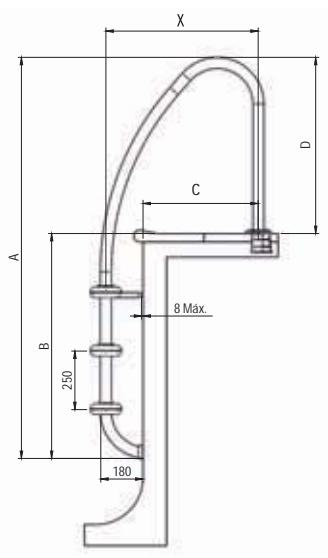
	Code	Standard Packaging	Standard Weight kg	Standard Volume m ³
Komfort 1000 - 3 steps	42867	1	16	0.154
Komfort 1000 - 4 steps	42868	1	17	0.154

Komfort Split ladders

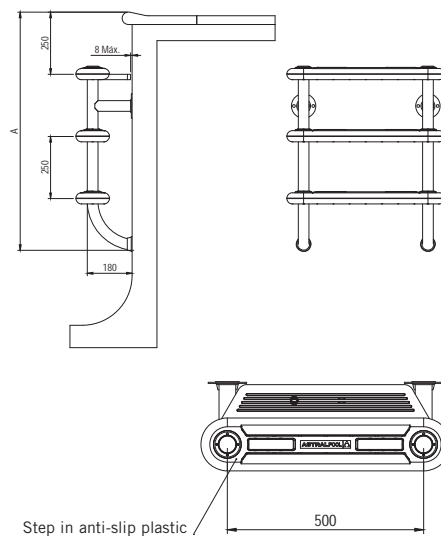


Undercover ladder with flange fixings for the top only, handrails in polished Stainless Steel 43 mm.

	Code	Standard Packaging	Standard Weight kg	Standard Volume m ³
Komfort split 3 steps	41324	1	7.6	0.064
Komfort split 4 steps	41325	1	9	0.060



Code	X	A	B	C	D
43269	650	1710	960	492	750
43270	650	1960	1210	492	750
42867	1000	1710	960	842	750
42868	1000	1960	1210	842	750
41324		960			
41325		1210			



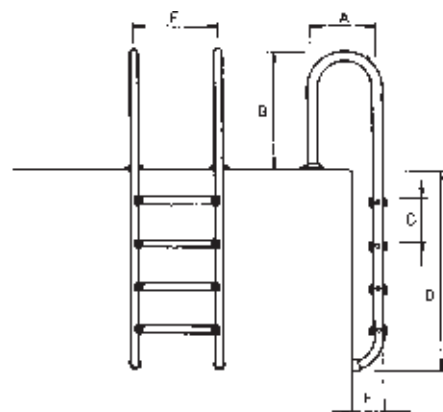
POOL ACCESS - LADDERS

Wall model ladders with handrails



Ladders for embedded pools. Handrails in polished Stainless Steel (Ø 43 mm) tube. Steps in Stainless Steel. Its perfect design assures anti-slip security. Complete with anchoring fixtures and earthing connection.

Steps	A	B	C	D	E	F
2	350	620	250	710	180	500
3	350	620	250	960	180	500
4	350	620	250	1210	180	500
5	350	620	250	1460	180	500



Wall model ladder with Luxe model steps

Rails & steps in AISI-316.

	Code	Standard Packaging	Standard Weight kg	Standard Volume m ³
2 steps ladder	05480	1	9.0	0.05
3 steps ladder	05481	1	10.5	0.06
4 steps ladder	05482	1	12.4	0.06
5 steps ladder	05483	1	13.7	0.07



Wall model ladder with Standard model steps

Rails & steps in AISI-304.

	Code	Standard Packaging	Standard Weight kg	Standard Volume m ³
2 steps ladder	05492	1	9.0	0.05
3 steps ladder	05493	1	12.7	0.06
4 steps ladder	05494	1	14.8	0.06
5 steps ladder	05495	1	13.6	0.07



H-Protection ladder

New

Ladder width 500 mm. Handrail in hand polished in Stainless Steel (Ø43 mm). Rails in Stainless Steel AISI-304, with an special polyamide coating and plastic threads in order to be protect to any water-treatment and to be install in salt-water.

	Code	Standard Packaging	Standard Weight kg	Standard Volume m ³
H-Protection ladder - 2 steps	54104	1	9	0.073
H-Protection ladder - 3 steps	54105	1	12	0.100
H-Protection ladder - 4 steps	54106	1	15	0.100
H-Protection ladder - 5 steps	54107	1	18	0.116

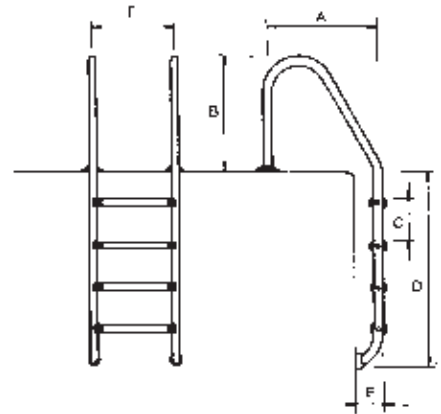
POOL ACCESS - LADDERS

Standard model ladders with handrails



Ladders for embedded pools. Handrails in polished Stainless Steel (Ø 43 mm) tube. Steps in Stainless Steel. Its perfect design assures anti-slip security. Complete with anchoring fixtures and earthing connection.

Steps	A	B	C	D	E	F
2	650	620	250	710	180	500
3	650	620	250	960	180	500
4	650	620	250	1210	180	500
5	650	620	250	1460	180	500



Standard ladder with Luxe model steps

Rails & steps in AISI-316.

	Code	Standard Packaging	Standard Weight kg	Standard Volume m ³
2 steps ladder	05476	1	9.8	0.07
3 steps ladder	05477	1	11.5	0.08
4 steps ladder	05478	1	14.0	0.08
5 steps ladder	05479	1	15.0	0.10



Standard ladder with Standard model steps

Rails & steps in AISI-304.

	Code	Standard Packaging	Standard Weight kg	Standard Volume m ³
2 steps ladder	05488	1	9.6	0.07
3 steps ladder	05489	1	12.0	0.08
4 steps ladder	05490	1	15.0	0.09
5 steps ladder	05491	1	15.0	0.09

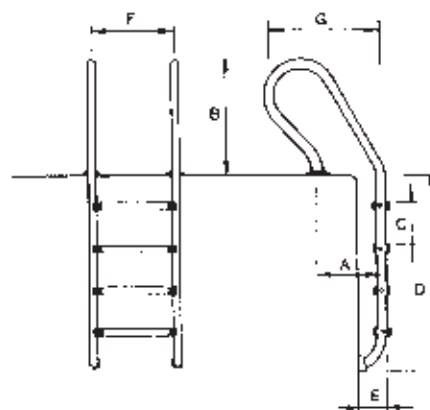
POOL ACCESS - LADDERS

Mixed model ladders with handrails



Ladders for embedded pools. Handrails in polished Stainless Steel (Ø 43 mm) tube. Steps in Stainless Steel. Its perfect design assures anti-slip security. Supplied with anchoring fixtures and earthing connections.

Steps	A	B	C	D	E	F	G
2	350	620	250	710	180	500	522
3	350	620	250	960	180	500	522
4	350	620	250	1210	180	500	522
5	350	620	250	1460	180	500	522



Mixed model ladder with Luxe model steps

Rails & steps in AISI-316.

	Code	Standard Packaging	Standard Weight kg	Standard Volume m ³
2 steps ladder	05484	1	9.7	0.07
3 steps ladder	05485	1	11.5	0.08
4 steps ladder	05486	1	12.6	0.09
5 steps ladder	05487	1	14.8	0.09



Mixed model ladder with Standard model steps

Rails & steps in AISI-304.

	Code	Standard Packaging	Standard Weight kg	Standard Volume m ³
2 steps ladder	05496	1	9.7	0.07
3 steps ladder	05497	1	11.4	0.08
4 steps ladder	05498	1	15.3	0.09
5 steps ladder	05499	1	14.8	0.10

POOL ACCESS - LADDERS



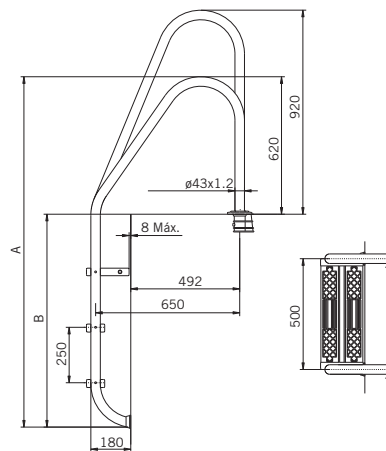
Standard asymmetrical model

Standard model ladder for embedded pools. Handrails in polished Stainless Steel (Ø 43 mm) pipe. Complete with anchoring fixtures and earthing connection. Rails and non-slip LUXE steps in AISI-316. Its design assures safety against any slipping or cuts.

- 1 step "Luxe" + 1 double safety step
- 2 steps "Luxe" + 1 double safety step
- 3 steps "Luxe" + 1 double safety step
- 4 steps "Luxe" + 1 double safety step

Code	Standard Packaging	Standard Weight kg	Standard Volume m ³
19938	1	13.0	0.07
19939	1	13.9	0.08
19940	1	15.8	0.10
19941	1	17.0	0.10

Code	Steps	A	B
19938	2	1330	710
19939	3	1580	960
19940	4	1830	1210
19941	5	2080	1460



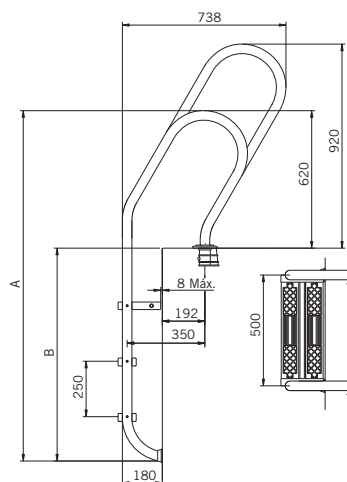
Mixed asymmetric model

Mixed model ladder for embedded pools. Handrails in polished Stainless Steel (Ø 43 mm) pipe. Its design assures safety against any slipping or cuts. Supplied with anchoring fixtures and earthing connection. Rails and non-slip LUXE steps in AISI-316.

- 2 steps "Luxe" + 1 double safety step
- 3 steps "Luxe" + 1 double safety step
- 4 steps "Luxe" + 1 double safety step

Code	Standard Packaging	Standard Weight kg	Standard Volume m ³
19943	1	14.0	0.08
19944	1	15.6	0.09
19945	1	17.5	0.10

Code	Steps	A	B
19943	3	1580	960
19944	4	1830	1210
19945	5	2080	1460



POOL ACCESS - LADDERS



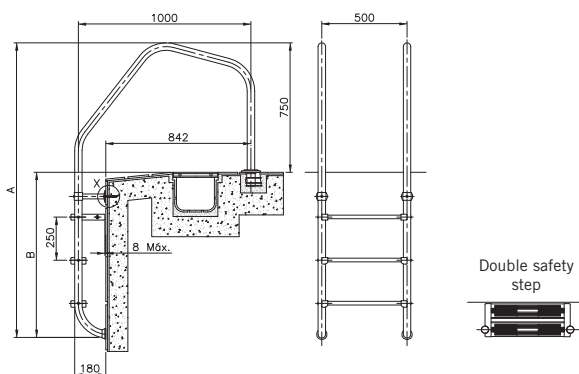
Overflow 1000 model

Ladder width 500 mm. Handrails in polished Stainless Steel (Ø 43 mm) pipe. With anchoring fixtures and earthing connection. Manufactured in accordance to EN 13451-1 and EN 13451-2 Standards. Rails and non-slip steps in AISI-316.

- 1 step "Luxe" + 1 double safety step
- 2 steps "Luxe" + 1 double safety step
- 3 steps "Luxe" + 1 double safety step
- 4 steps "Luxe" + 1 double safety step

Code	Steps	A	B
07514	2	1460	710
07515	3	1710	960
07516	4	1960	1210
07517	5	2210	1460

Code	Standard Packaging	Standard Weight kg	Standard Volume m ³
07514	1	13.2	0.016
07515	1	15.3	0.016
07516	1	17.1	0.18
07517	1	19.2	0.20



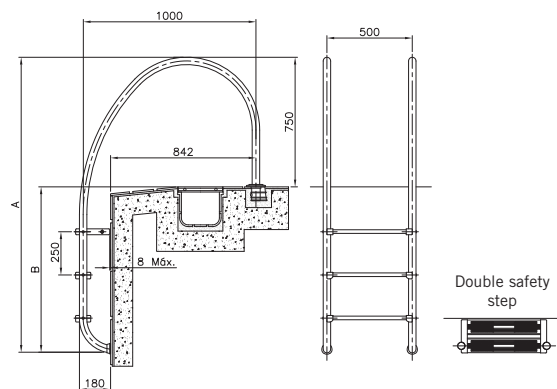
Ladder for overflow pool

A new feature of this ladder is the variable radius of the curve in the grip section giving a more modern and attractive appearance. Steps with a width of 500 mm and made according to European Standards EN 13451-1 and EN-13451-2. Easily installed. Handrails Ø 43 mm x 1.5 mm and steps in AISI-316 with polished finish. With anchoring fixtures and earth connection. Note: Installation with the anchors codes 00043, 08727, 07331, 18243 is not allowed.

- 2 steps ladder
- 3 steps ladder
- 4 steps ladder
- 5 steps ladder

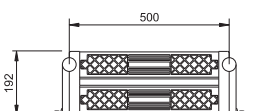
Code	Steps	A	B
32653	2	1460	710
32654	3	1710	960
32655	4	1960	1210
32656	5	2210	1460

Code	Standard Packaging	Standard Weight kg	Standard Volume m ³
32653	1	13.2	0.158
32654	1	16.2	0.180
32655	1	17.1	0.202
32656	1	19.2	0.217



Double non-slip safety step

Complies with EN 13451-1 and EN 13451-2 Standards. Steps in AISI-316 with polished finish. Suitable for all inground ladder models.



Code	Standard Packaging	Standard Weight kg	Standard Volume m ³
07603	1	2.05	0.003



Алматы (7273)495-231
 Ангарск (3955)60-70-56
 Архангельск (8182)63-90-72
 Астрахань (8512)99-46-04
 Барнаул (3852)73-04-60
 Белгород (4722)40-23-64
 Благовещенск (4162)22-76-07
 Брянск (4832)59-03-52
 Владивосток (423)249-28-31
 Владикавказ (8672)28-90-48
 Владимир (4922)49-43-18
 Волгоград (844)278-03-48
 Вологда (8172)26-41-59
 Воронеж (473)204-51-73
 Екатеринбург (343)384-55-89

Иваново (4932)77-34-06
 Ижевск (3412)26-03-58
 Иркутск (395)279-98-46
 Казань (843)206-01-48
 Калининград (4012)72-03-81
 Калуга (4842)92-23-67
 Кемерово (3842)65-04-62
 Киров (8332)68-02-04
 Коломна (4966)23-41-49
 Кострома (4942)77-07-48
 Краснодар (861)203-40-90
 Красноярск (391)204-63-61
 Курск (4712)77-13-04
 Курган (3522)50-90-47
 Липецк (4742)52-20-81

Магнитогорск (3519)55-03-13
 Москва (495)268-04-70
 Мурманск (8152)59-64-93
 Набережные Челны (8552)20-53-41
 Нижний Новгород (831)429-08-12
 Новокузнецк (3843)20-46-81
 Ноябрьск (3496)41-32-12
 Новосибирск (383)227-86-73
 Омск (3812)21-46-40
 Орел (4862)44-53-42
 Оренбург (3532)37-68-04
 Пенза (8412)22-31-16
 Петрозаводск (8142)55-98-37
 Псков (8112)59-10-37
 Пермь (342)205-81-47

Ростов-на-Дону (863)308-18-15
 Рязань (4912)46-61-64
 Самара (846)206-03-16
 Санкт-Петербург (812)309-46-40
 Саратов (845)249-38-78
 Севастополь (8692)22-31-93
 Саранск (8342)22-96-24
 Симферополь (3652)67-13-56
 Смоленск (4812)29-41-54
 Сочи (862)225-72-31
 Ставрополь (8652)20-65-13
 Сургут (3462)77-98-35
 Сыктывкар (8212)25-95-17
 Тамбов (4752)50-40-97
 Тверь (4822)63-31-35

Тольятти (8482)63-91-07
 Томск (3822)98-41-53
 Тула (4872)33-79-87
 Тюмень (3452)66-21-18
 Ульяновск (8422)24-23-59
 Улан-Удэ (3012)59-97-51
 Уфа (347)229-48-12
 Хабаровск (4212)92-98-04
 Чебоксары (8352)28-53-07
 Челябинск (351)202-03-61
 Череповец (8202)49-02-64
 Чита (3022)38-34-83
 Якутск (4112)23-90-97
 Ярославль (4852)69-52-93

Россия +7(495)268-04-70

Казахстан +7(7172)727-132

Киргизия +996(312)96-26-47

<https://astralpool.nt-rt.ru/> || aow@nt-rt.ru

POOL ACCESS - LADDERS



Easy access model



Ladder width 500 mm. Complies with EN 13451-1 and EN 13451-2 European Standards. Handrails in polished Stainless Steel (Ø 43 mm) pipe. With anchoring fixtures and earthing connection. With double safety steps and increased overall height in accordance to BS EN 13451 Standard. Rails and non-slip steps in polished AISI-316.

	Code	Standard Packaging	Standard Weight kg	Standard Volume m ³
3 steps ladder	07782	1	21.6	0.145
4 steps ladder	11979	1	25.9	0.202

Code	Steps	A	B	C	D	E	F
07782	3	1835	750	250	243	490	500
11979	4	2085	750	250	243	490	500



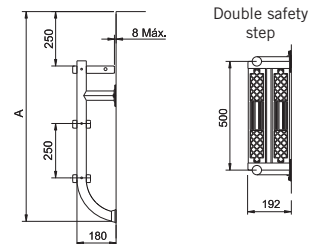
Split bottom half ladder



Complete with top and bottom flange fixings and top double safety step in accordance with EN 13451-1 and EN 13451-2 European Standards. Rails and non-slip steps in polished AISI-316. Can be used with any type of exit rails. With fixing plates, gaskets, screws and rawl plugs.

	Code	Standard Packaging	Standard Weight kg	Standard Volume m ³
1 step "Luxe" + 1 double safety step	08090	1	6.0	0.04
2 steps "Luxe" + 1 double safety step	08091	1	7.6	0.04
3 steps "Luxe" + 1 double safety step	08092	1	9.0	0.05
4 steps "Luxe" + 1 double safety step	08093	1	10.5	0.07

Code	Steps	A
08090	2	710
08091	3	960
08092	4	1210
08093	5	1460



Split bottom half ladder



Rails and steps in polished Stainless Steel AISI-316. With fixing plates, gaskets, screws and rawl plugs.

	Code	Standard Packaging	Standard Weight kg	Standard Volume m ³
2 steps "Luxe"	01456	1	5.0	0.04
3 steps "Luxe"	01457	1	6.3	0.04
4 steps "Luxe"	01458	1	7.7	0.05
5 steps "Luxe"	01459	1	9.2	0.07

Code	Steps	A	B	C
01456	2	710	180	250
01457	3	960	180	250
01458	4	1210	180	250
01459	5	1460	180	250

