



ASTRALPOOL SIGNATURE SHOWERS



Contemporary shower with an elegant and modern look due to the minimalist design and high quality materials used. Designed to offer the greatest sense of relaxation and well-being. Highly durable Ipe wood combined with high resistance glossy stainless steel. Rainfall System for a relaxing effect. Adjustable shower head for greater user comfort and enhanced use of water. Mixer valve for hot and cold water control Shower head with anti-limescale system that provides greater durability. Optional shower tray for a perfect finish.

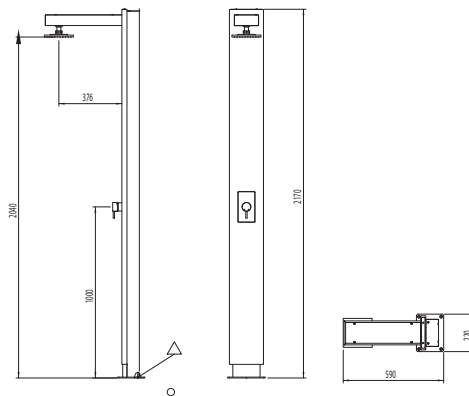
	Code	Standard Packaging	Standard Weight kg	Standard Volume m ³
Pluvium shower with shower tray	43583	1	38	0.169
Pluvium shower without shower tray	43432	1	27	0.136



SHOWER HEAD



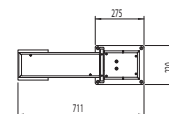
MIXER VALVE



Pluvium Solar shower without shower tray

Made with high quality materials such as wood IPE and satin finish AISI 316 Stainless steel, which all give a longer life and greater resistance to weathering and corrosion. The aluminum water tank has a capacity for 30 litres of water. Shower head with swiveling Calc system that increases user comfort. A single lever controls hot and cold water. Flow rate limiter which reduces 40% water consumption in the shower flow pressure above 3 bars.

	Code	Standard Packaging	Standard Weight kg	Standard Volume m ³
Pluvium solar shower without shower tray	43435	1	37	0.225



Pluvium shower tray

Shower tray for the Pluvium shower in wood IPE and satin finish AISI 316 stainless steel. Its minimalist and compact design provides an elegant and modern image for the pool surround.

	Code	Standard Packaging	Standard Weight kg	Standard Volume m ³
Pluvium shower tray	43434	1	11	0.028



- Алматы (7273)495-231
- Ангарск (3955)60-70-56
- Архангельск (8182)63-90-72
- Астрахань (8512)99-46-04
- Барнаул (3852)73-04-60
- Белгород (4722)40-23-64
- Благовещенск (4162)22-76-07
- Брянск (4832)59-03-52
- Владивосток (423)249-28-31
- Владикавказ (8672)28-90-48
- Владимир (4922)49-43-18
- Волгоград (844)278-03-48
- Вологда (8172)26-41-59
- Воронеж (473)204-51-73
- Екатеринбург (343)384-55-89

- Иваново (4932)77-34-06
- Ижевск (3412)26-03-58
- Иркутск (395)279-98-46
- Казань (843)206-01-48
- Калининград (4012)72-03-81
- Калуга (4842)92-23-67
- Кемерово (3842)65-04-62
- Киров (8332)68-02-04
- Коломна (4966)23-41-49
- Кострома (4942)77-07-48
- Краснодар (861)203-40-90
- Красноярск (391)204-63-61
- Курск (4712)77-13-04
- Курган (3522)50-90-47
- Липецк (4742)52-20-81

- Магнитогорск (3519)55-03-13
- Москва (495)268-04-70
- Мурманск (8152)59-64-93
- Набережные Челны (8552)20-53-41
- Нижний Новгород (831)429-08-12
- Новокузнецк (3843)20-46-81
- Новосибирск (383)227-86-73
- Омск (3812)21-46-40
- Орел (4862)44-53-42
- Оренбург (3532)37-68-04
- Пенза (8412)22-31-16
- Петрозаводск (8142)55-98-37
- Псков (8112)59-10-37
- Пермь (342)205-81-47

- Ростов-на-Дону (863)308-18-15
- Рязань (4912)46-61-64
- Самара (846)206-03-16
- Санкт-Петербург (812)309-46-40
- Саратов (845)249-38-78
- Севастополь (8692)22-31-93
- Саранск (8342)22-96-24
- Симферополь (3652)67-13-56
- Смоленск (4812)29-41-54
- Сочи (862)225-72-31
- Ставрополь (8652)20-65-13
- Сургут (3462)77-98-35
- Сыктывкар (8212)25-95-17
- Тамбов (4752)50-40-97
- Тверь (4822)63-31-35

- Тольятти (8482)63-91-07
- Томск (3822)98-41-53
- Тула (4872)33-79-87
- Тюмень (3452)66-21-18
- Ульяновск (8422)24-23-59
- Улан-Удэ (3012)59-97-51
- Уфа (347)229-48-12
- Хабаровск (4212)92-98-04
- Чебоксары (8352)28-53-07
- Челябинск (351)202-03-61
- Череповец (8202)49-02-64
- Чита (3022)38-34-83
- Якутск (4112)23-90-97
- Ярославль (4852)69-52-93

ASTRALPOOL SIGNATURE SHOWERS

Iguazu shower

New

Satin Stainless Steel AISI-316 shower that incorporates a solid surface face plate. Chromed brass anti-limer shower-head and 2 bruminator spray jets controlled by a 2 way diverter valve. Water-flow and temperature are regulated by a mixer valve.

Code	Standard Packaging	Standard Weight kg	Standard Volume m ³
53874	1	27	0.163



SHOWER HEAD



MIXER VALVE



FRONTAL JETS



SHOWERS



Niagara solar shower

New

Polished Stainless Steel shower AISI-304, which heats up by means of a 35 litre aluminum accumulator tank with a single cold water tap, thus taking advantage of the solar energy. An antical squared head-shower is incorporated.

	Code	Standard Packaging	Standard Weight kg	Standard Volume m ³
Niagara solar shower	53873	1	25	0.26



SHOWER HEAD



VALVE



Niagara shower

New

Polished Stainless Steel AISI-304 shower with 1 square shower-head (150 m x 150 m) and 1 valve.

	Code	Standard Packaging	Standard Weight kg	Standard Volume m ³
Niagara shower	53872	1	22	0.125



SHOWER HEAD



VALVE

SHOWERS

Angel shower with footwash

New

Polished Stainless Steel AISI-304 shower (diameter 43 mm) with 1 chromed and anti-lime shower-head, 1 valve and footwash tap.

	Code	Standard Packaging	Standard Weight kg	Standard Volume m ³
Angel shower with footwash	52718	1	5.6	0.43



SHOWER HEAD



VALVE



FOOTWASH

Angel shower

New

Polished Stainless Steel AISI-304 shower (diameter 43 mm) with 1 chromed and anti-lime shower-head and 1 valve.

	Code	Standard Packaging	Standard Weight kg	Standard Volume m ³
Angel shower	52717	1	5.6	0.43



SHOWER HEAD



VALVE

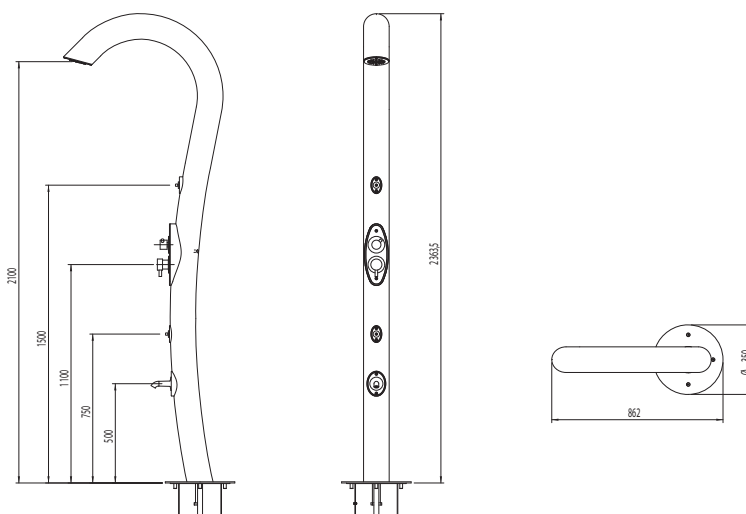
SHOWERS

Misty Art shower



Shower in a original design made of satin finish stainless steel AISI 316. It incorporates an anti-scale spray, two fogging nozzles, 1 mixing valve and a footbath tap.

Code	Standard Packaging	Standard Weight kg	Standard Volume m ³
45867	1	50	1.325



Solar shower with a flexible 20 litre tank



A shower in painted steel, which with a single cold water tap, heats up by means of a flexible 20 litre accumulator tank thus taking advantage of the solar energy. With 2 valves (cold/hot) and a chromed brass nozzle. Attaches to the ground by means of anchoring screws and plugs.

Code	Standard Packaging	Standard Weight kg	Standard Volume m ³
34312	1	15.4	0.089

Height (shower head to ground): 2.10 m



SHOWER HEAD



KNOB

SHOWERS

ECO solar shower with 30 litre tank



Shower in polished Stainless Steel AISI-304, which with a single cold water tap, heats up by means of a 30 litre aluminium accumulator tank thus taking advantage of the solar energy. Adjustable massage shower nozzle with 3 functions and an anti-lime membrane. A water flow limiter device is incorporated, thus reducing consumption by approximately 50%. With 1 mixing valve (cold/hot). Quick fixing water connection. Attaches to the ground by means of anchoring screws and plugs.

	Code	Standard Packaging	Standard Weight kg	Standard Volume m ³
Height (shower head to ground): 2 m	36848	1	12.0	0.16



SHOWER HEAD



NOB

Solar shower



In polished Stainless Steel AISI-304. With a single water inlet. With a single cold water tap, it heats up by means of a 50 litre aluminium accumulator tank thus taking advantage of the solar energy. Has 2 mixer taps and swivel shower head. Quick fixing water connection. Fixed to ground with screws and plugs.

	Code	Standard Packaging	Standard Weight kg	Standard Volume m ³
50 L. Height (shower head to ground): 2.10 m	33828	1	21.3	0.193



SHOWER HEAD



NOB

SHOWERS

Shower with 1 shower head and 1 automatic timer valve

In Stainless Steel AISI-304, Ø 63 mm pipe. 27333 anchoring fixture included.

	Code	Standard Packaging	Standard Weight kg	Standard Volume m ³
Height (shower head to ground): 2.00 m	00095	1	7.2	0.05



SHOWER HEAD



AUTOMATIC
TIMER VALVE



Shower with 1 shower head, footwash and automatic timer valve

In Stainless Steel AISI-304, Ø 63 mm pipe. 27333 anchoring fixture included.

	Code	Standard Packaging	Standard Weight kg	Standard Volume m ³
Height (shower head to ground): 2 m	15841	1	7.3	0.05



SHOWER HEAD



AUTOMATIC
TIMER VALVE



FOOTWASH



Shower with twinheads and 2 valves

In Stainless Steel AISI-304, Ø 63 mm pipe. 27333 anchoring fixture included.

	Code	Standard Packaging	Standard Weight kg	Standard Volume m ³
Height (shower head to ground): 2 m	00098	1	13.9	0.25



SHOWER HEAD



MIXER VALVES



SHOWERS



Shower with twinheads and 2 timer press knobs

In Stainless Steel AISI-304, Ø 63 mm pipe. 27333 anchoring fixture included.

	Code	Standard Packaging	Standard Weight kg	Standard Volume m ³
Height (shower head to ground): 2.20 m	19947	1	14.91	0.25



SHOWER HEAD



**AUTOMATIC
TIMER VALVE**



Shower with twinheads and 2 timer press knobs

Designed for public pools. In Stainless Steel AISI-316. Ø 129 mm pipe. Anchoring fixtures included.

	Code	Standard Packaging	Standard Weight kg	Standard Volume m ³
Height (shower head to ground): 2.35 m	08728	1	42.8	0.94



SHOWER HEAD



**AUTOMATIC
TIMER VALVE**



Shower with 3 shower heads and 3 valves

In Stainless Steel AISI-304, Ø 84 mm pipe. Anchoring fixtures included.

	Code	Standard Packaging	Standard Weight kg	Standard Volume m ³
Height (shower head to ground): 2 m	00094	1	23.82	0.027



SHOWER HEADS



VALVE KNOB

SHOWERS



Shower with 3 shower heads and 3 automatic timer valves

In Stainless Steel AISI-304, Ø 129 mm pipe. Anchoring fixtures included. Designed for public pools.



	Code	Standard Packaging	Standard Weight kg	Standard Volume m ³
Height (shower head to ground): 2.10 m	00097	1	29.39	0.27



SHOWER HEADS



AUTOMATIC
TIMER VALVE



Shower with detachable shower head and footwash

In Stainless Steel AISI-304, Ø 43 mm pipe. 00107 anchoring fixtures included.



	Code	Standard Packaging	Standard Weight kg	Standard Volume m ³
Height 1.05 m	00099	1	4.63	0.02



TELEPHONE TYPE
SHOWER



FOOTWASH

Алматы (7273)495-231
Ангарск (3955)60-70-56
Архангельск (8182)63-90-72
Астрахань (8512)99-46-04
Барнаул (3852)73-04-60
Белгород (4722)40-23-64
Благовещенск (4162)22-76-07
Брянск (4832)59-03-52
Владивосток (423)249-28-31
Владикавказ (8672)28-90-48
Владимир (4922)49-43-18
Волгоград (844)278-03-48
Вологда (8172)26-41-59
Воронеж (473)204-51-73
Екатеринбург (343)384-55-89

Иваново (4932)77-34-06
Ижевск (3412)26-03-58
Иркутск (395)279-98-46
Казань (843)206-01-48
Калининград (4012)72-03-81
Калуга (4842)92-23-67
Кемерово (3842)65-04-62
Киров (8332)68-02-04
Коломна (4966)23-41-49
Кострома (4942)77-07-48
Краснодар (861)203-40-90
Красноярск (391)204-63-61
Курск (4712)77-13-04
Курган (3522)50-90-47
Липецк (4742)52-20-81

Магнитогорск (3519)55-03-13
Москва (495)268-04-70
Мурманск (8152)59-64-93
Набережные Челны (8552)20-53-41
Нижний Новгород (831)429-08-12
Новокузнецк (3843)20-46-81
Ноябрьск (3496)41-32-12
Новосибирск (383)227-86-73
Омск (3812)21-46-40
Орел (4862)44-53-42
Оренбург (3532)37-68-04
Пенза (8412)22-31-16
Петрозаводск (8142)55-98-37
Псков (8112)59-10-37
Пермь (342)205-81-47

Ростов-на-Дону (863)308-18-15
Рязань (4912)46-61-64
Самара (846)206-03-16
Санкт-Петербург (812)309-46-40
Саратов (845)249-38-78
Севастополь (8692)22-31-93
Саранск (8342)22-96-24
Симферополь (3652)67-13-56
Смоленск (4812)29-41-54
Сочи (862)225-72-31
Ставрополь (8652)20-65-13
Сургут (3462)77-98-35
Сыктывкар (8212)25-95-17
Тамбов (4752)50-40-97
Тверь (4822)63-31-35

Тольятти (8482)63-91-07
Томск (3822)98-41-53
Тула (4872)33-79-87
Тюмень (3452)66-21-18
Ульяновск (8422)24-23-59
Улан-Удэ (3012)59-97-51
Уфа (347)229-48-12
Хабаровск (4212)92-98-04
Челябинск (351)202-03-61
Череповец (8202)49-02-64
Чита (3022)38-34-83
Якутск (4112)23-90-97
Ярославль (4852)69-52-93

Россия +7(495)268-04-70

Казахстан +7(7172)727-132

Киргизия +996(312)96-26-47

<https://astralpool.nt-rt.ru/> || aow@nt-rt.ru