

Алматы (7273)495-231
Ангарск (3955)60-70-56
Архангельск (8182)63-90-72
Астрахань (8512)99-46-04
Барнаул (3852)73-04-60
Белгород (4722)40-23-64
Благовещенск (4162)22-76-07
Брянск (4832)59-03-52
Владивосток (423)249-28-31
Владикавказ (8672)28-90-48
Владимир (4922)49-43-18
Волгоград (844)278-03-48
Вологда (8172)26-41-59
Воронеж (473)204-51-73
Екатеринбург (343)384-55-89

Иваново (4932)77-34-06
Ижевск (3412)26-03-58
Иркутск (395)279-98-46
Казань (843)206-01-48
Калининград (4012)72-03-81
Калуга (4842)92-23-67
Кемерово (3842)65-04-62
Киров (8332)68-02-04
Коломна (4966)23-41-49
Кострома (4942)77-07-48
Краснодар (861)203-40-90
Красноярск (391)204-63-61
Курск (4712)77-13-04
Курган (3522)50-90-47
Липецк (4742)52-20-81

Магнитогорск (3519)55-03-13
Москва (495)268-04-70
Мурманск (8152)59-64-93
Набережные Челны (8552)20-53-41
Нижний Новгород (831)429-08-12
Новокузнецк (3843)20-46-81
Ноябрьск (3496)41-32-12
Новосибирск (383)227-86-73
Омск (3812)21-46-40
Орел (4862)44-53-42
Оренбург (3532)37-68-04
Пенза (8412)22-31-16
Петрозаводск (8142)55-98-37
Псков (8112)59-10-37
Пермь (342)205-81-47

Ростов-на-Дону (863)308-18-15
Рязань (4912)46-61-64
Самара (846)206-03-16
Санкт-Петербург (812)309-46-40
Саратов (845)249-38-78
Севастополь (8692)22-31-93
Саранск (8342)22-96-24
Симферополь (3652)67-13-56
Смоленск (4812)29-41-54
Сочи (862)225-72-31
Ставрополь (8652)20-65-13
Сургут (3462)77-98-35
Сыктывкар (8212)25-95-17
Тамбов (4752)50-40-97
Тверь (4822)63-31-35

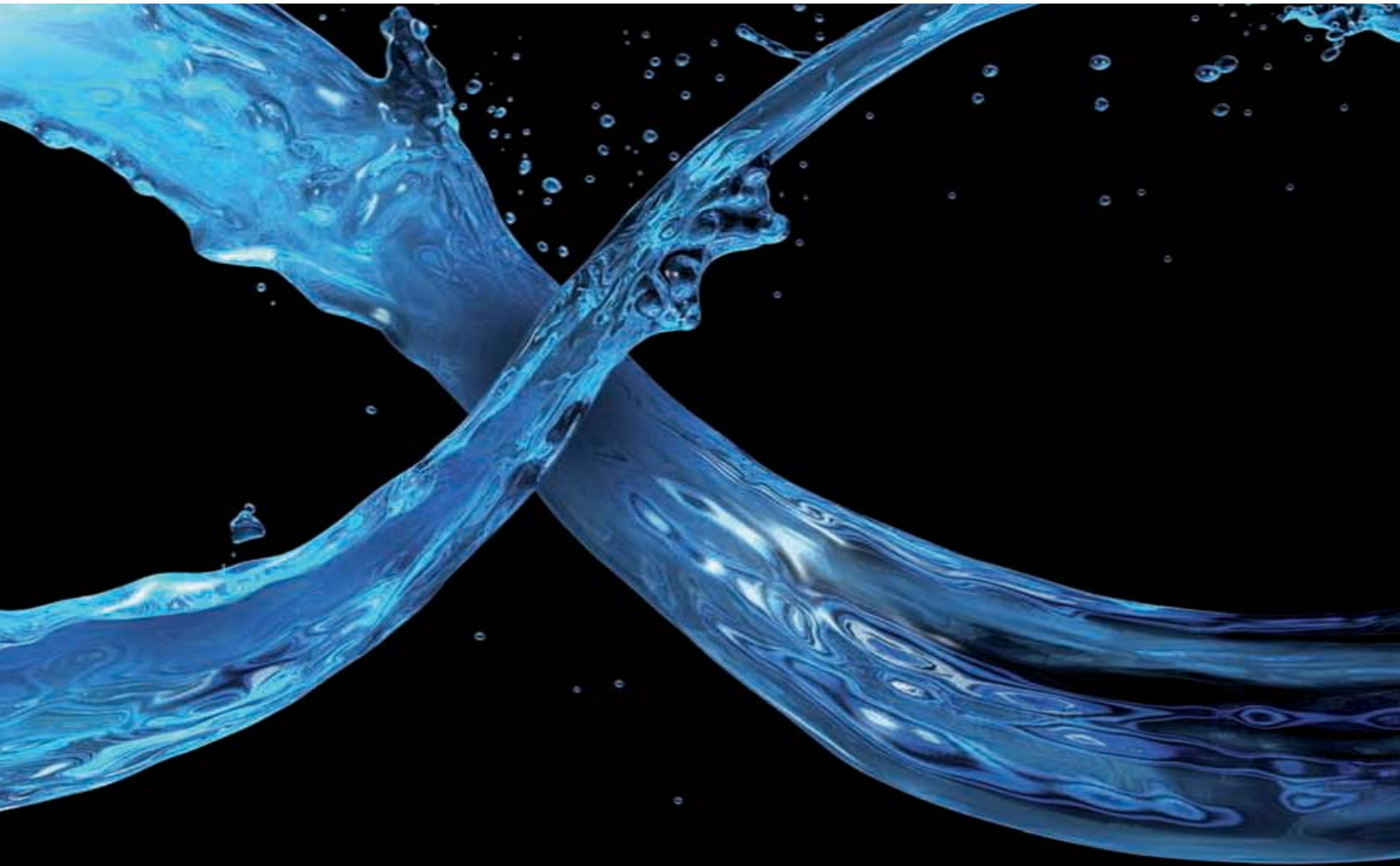
Тольятти (8482)63-91-07
Томск (3822)98-41-53
Тула (4872)33-79-87
Тюмень (3452)66-21-18
Ульяновск (8422)24-23-59
Улан-Удэ (3012)59-97-51
Уфа (347)229-48-12
Хабаровск (4212)92-98-04
Чебоксары (8352)28-53-07
Челябинск (351)202-03-61
Череповец (8202)49-02-64
Чита (3022)38-34-83
Якутск (4112)23-90-97
Ярославль (4852)69-52-93

Россия +7(495)268-04-70

Казахстан +7(7172)727-132

Киргизия +996(312)96-26-47

<https://astralpool.nt-rt.ru/> || aow@nt-rt.ru



CATALOGUE



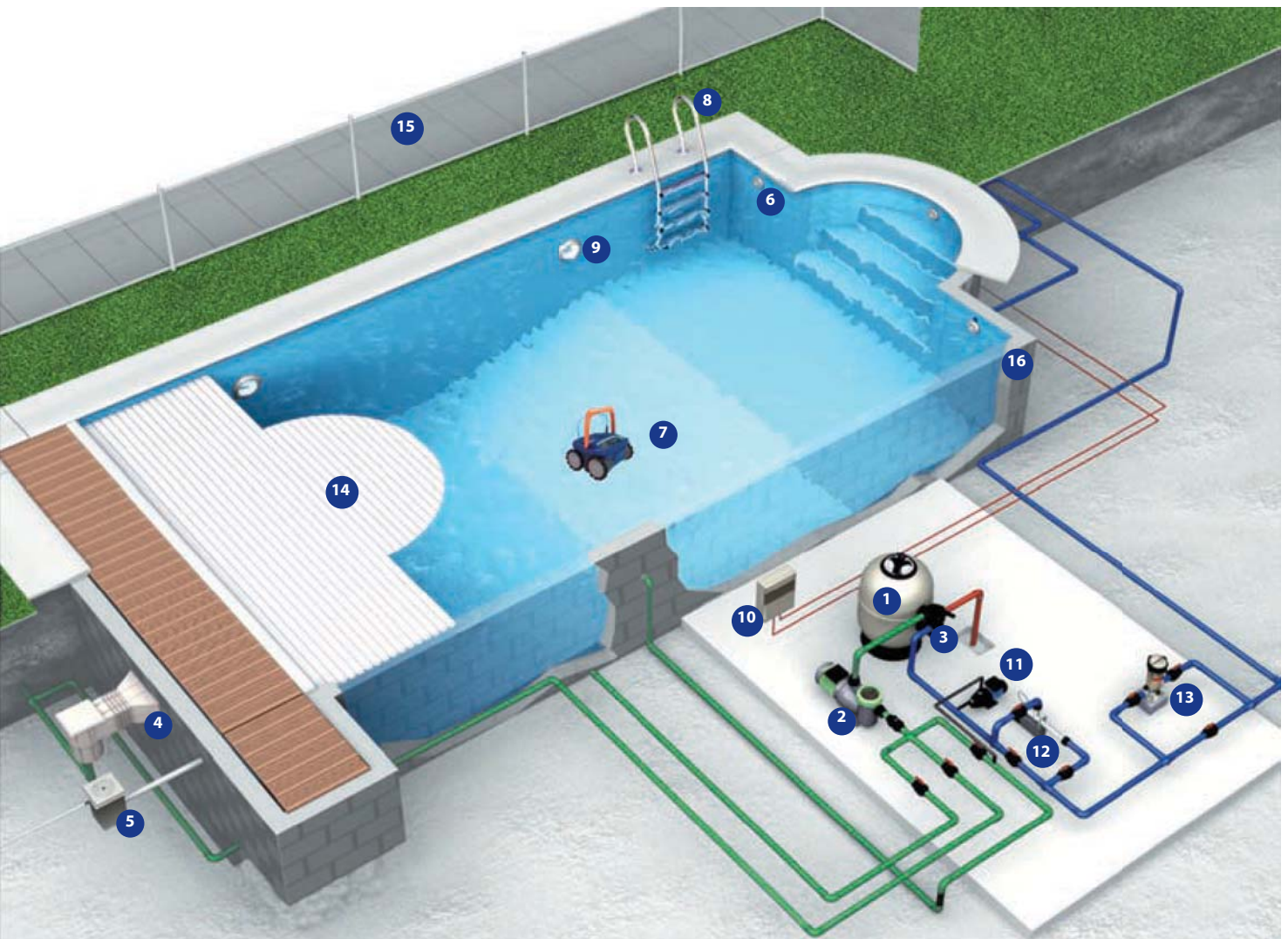


commitment to respect
our environment



Swimming pool equipment

General installation diagram



- 1 Filter
- 2 Pump
- 3 Multiport valve
- 4 Skimmer
- 5 Water level regulator
- 6 Inlet nozzle

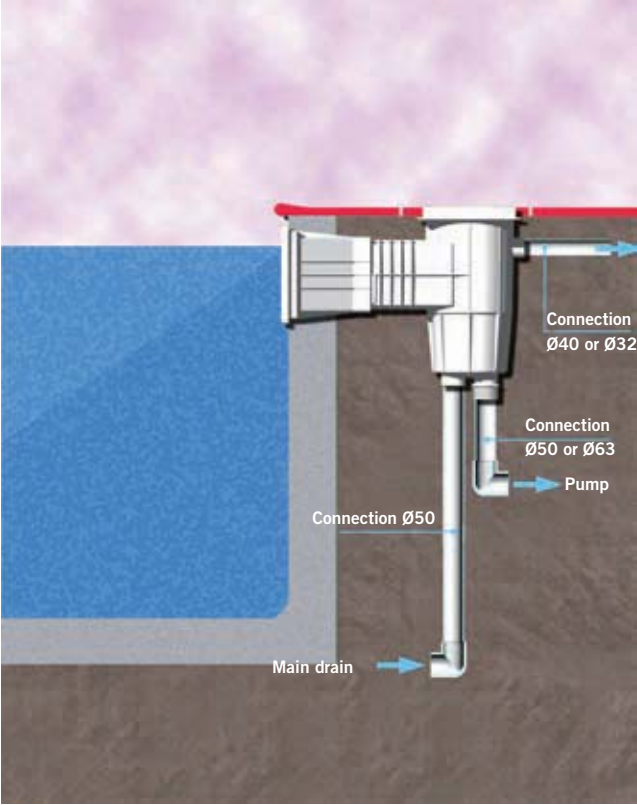
- 7 Automatic pool cleaner
- 8 Ladder
- 9 Underwater light
- 10 Control panel box
- 11 Pump for automatic cleaners
- 12 Heat exchanger

- 13 Chlorine dispenser
- 14 Automatic pool cover
- 15 Safety fences
- 16 Pool shell

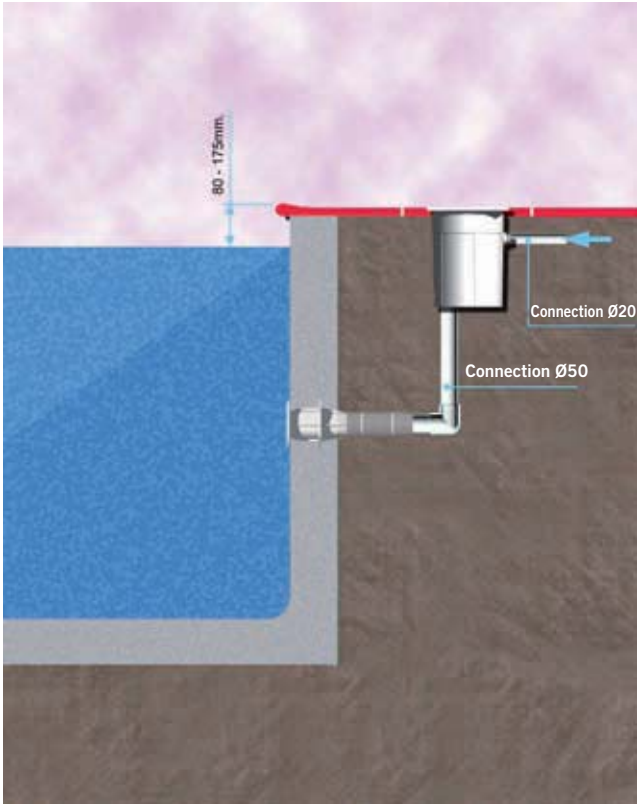
Installation diagrams

General installation diagram

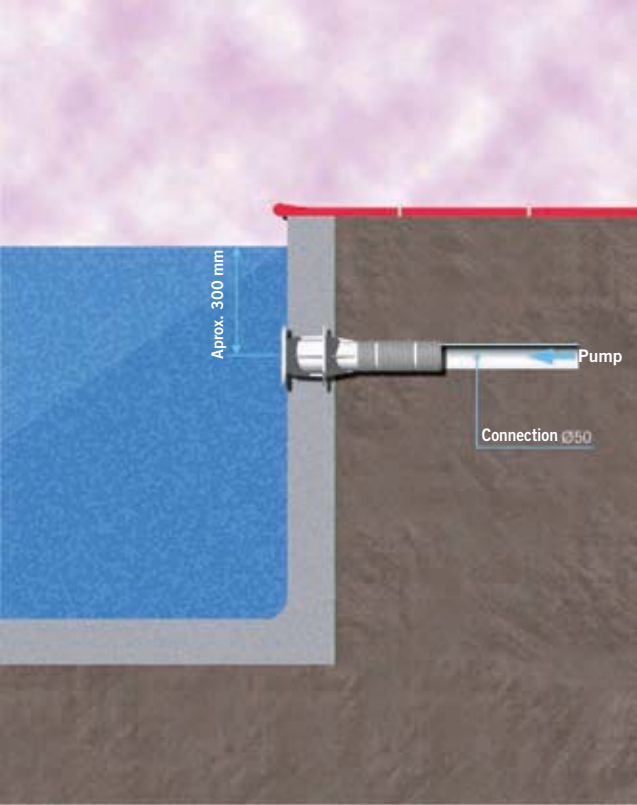
Skimmer installation



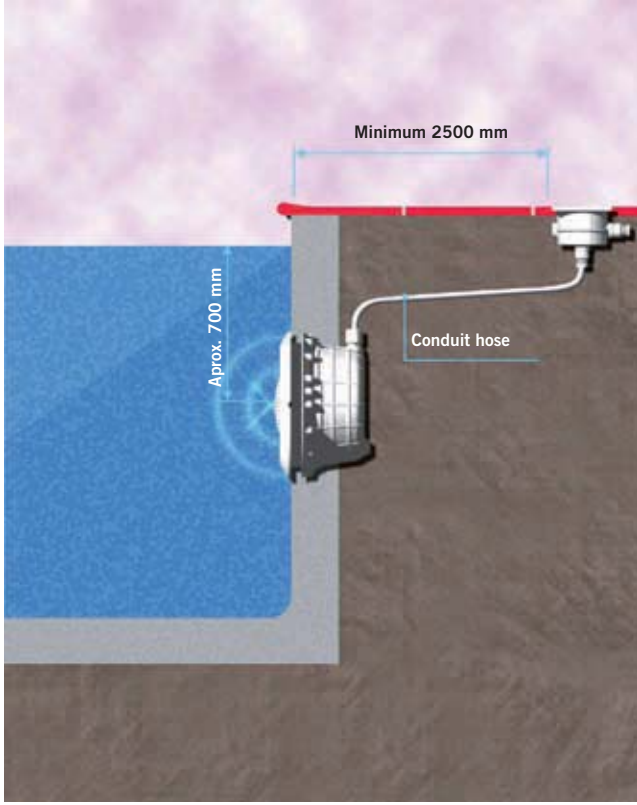
Installation of water level regulator



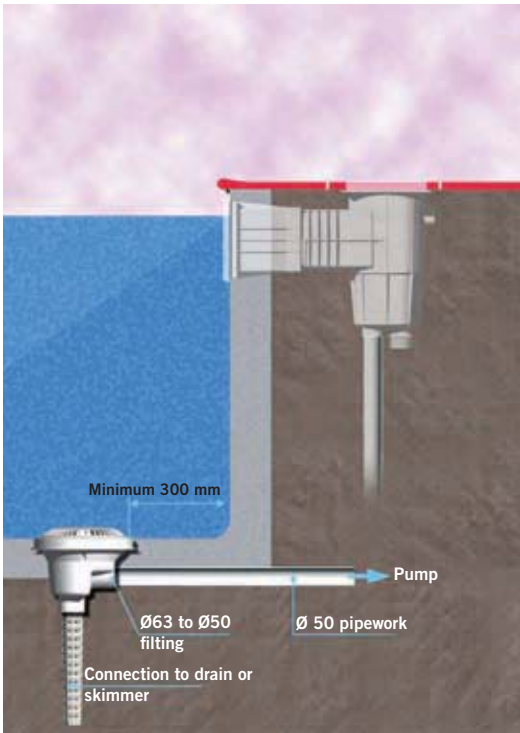
Nozzle installation



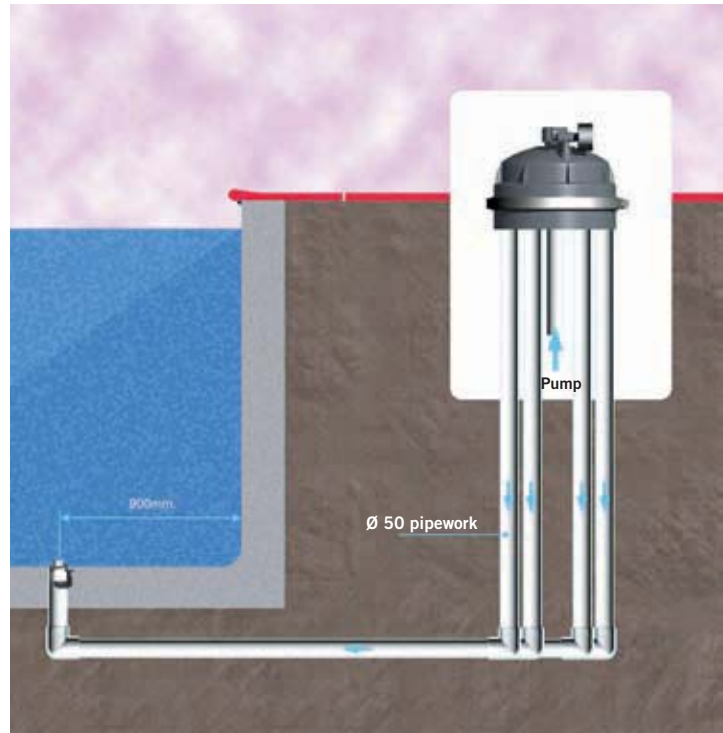
Underwater installation lights



Main drain installation

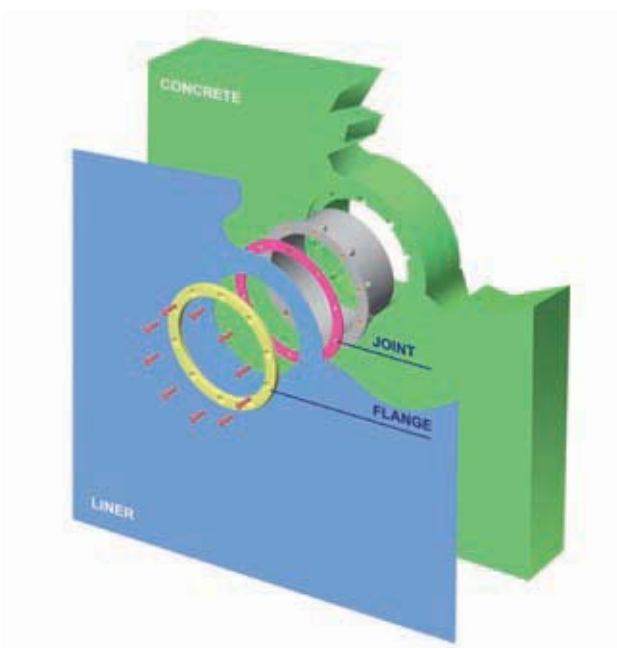


Net'n'Clean valve installation



CONCRETE POOLS:

Concrete + liner

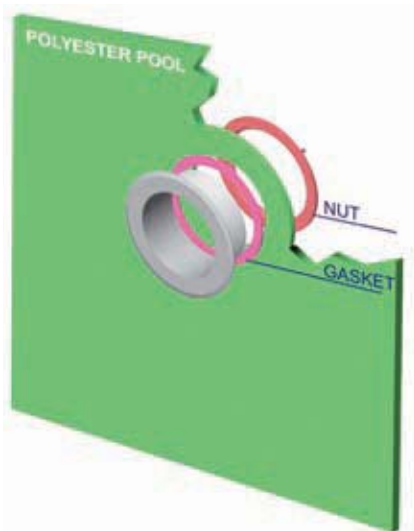
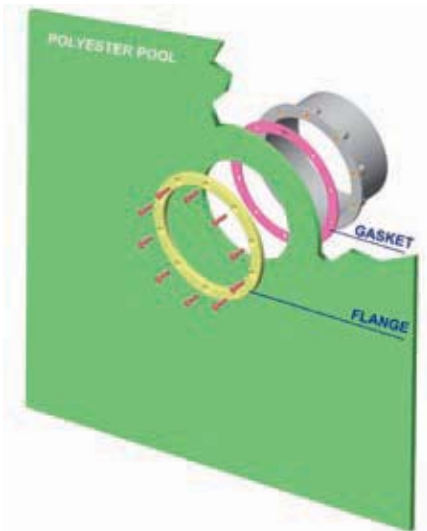


Concrete



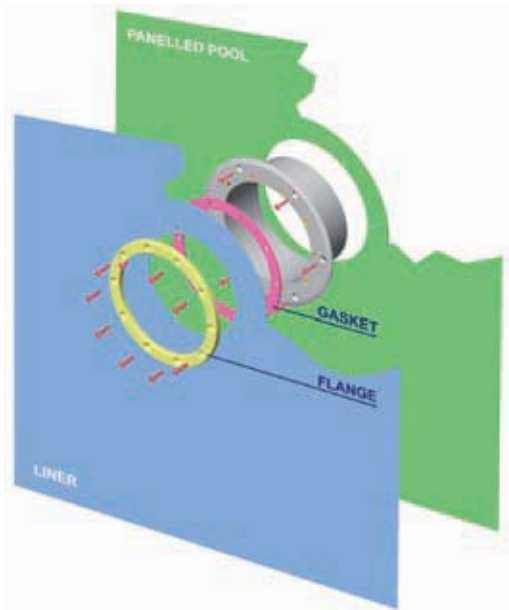
Installation diagrams

FIBERGLASS POOLS:

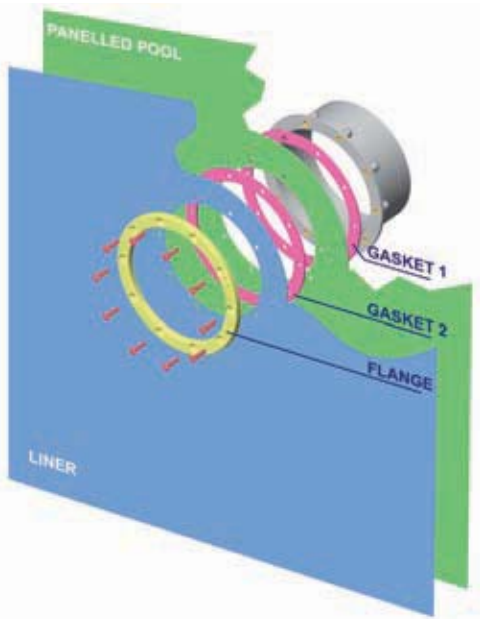


PANEL POOLS:

1 gasket










2 gaskets





Filter and pump selection table

						
Pool volume	Turnover	Filtration speed	Ø Filter	Connections	Pump	Sand
m ³	h	m ³ /h/m ²	mm	mm inch	hp	Kg
40	8	50	350	50	1 1/2"	40
40-50	8	50	400	50	1 1/2"	60
50-60	8	50	450	50	1 1/2"	70
60-75	8	50	500	50	1 1/2"	100
75-90	8	50	560	50	1 1/2"	130
90-115	8	50	600	50	1 1/2"	160
115-130	8	50	650	63	2"	175
130-170	8	50	750	63	2"	300
170-200	8	50	800	63	2"	330

Conversion table

Length:	m	in	ft	
Meter (m)	1	39,37	3,281	
Inch (in)	0,025	1	0,083	
Foot (ft)	0,305	12	1	
Surface:	m²	in²	ft²	cm²
Square meter (m ²)	1	1.150,39	10,764	10.000
Square inch (in ²)	0,000645	1	0,0069	6,45
Square foot (ft ²)	0,093	144,036	1	929,03
Square centimetre (cm ²)	0,0001	0,155	0,00107	1
Volume:	m³	UK gal	US gal	l
Cubic meter (m ³)	1	219,969	264,172	1000
Imperial gallon (UK gal)	0,0045	1	1,201	4,546
U.S. gallon (US gal)	0,0038	0,833	1	3,785
Litre (l)	0,001	0,22	0,264	1
Velocity:	m/s	in/s	ft/s	m/h
Meter/second (m/s)	1	39,37	3,281	3600
Inch/second (in/s)	0,025	1	0,083	91,44
Foot/second (ft/s)	0,305	12	1	1097,28
Meter/hour (m/h)	0,00028	0,011	0,00091	1
Filtration velocity:	m³/m².h	USgal/ft².min	UKgal/ft².min	ft³/ft².min
(m ³ /m ² .h)	1	0,409	0,341	0,055
(US gal/ft ² .min)	2,445	1	0,833	0,134
(UK gal/ft ² .min)	2,936	1,201	1	0,158
(ft ³ /ft ² .min)	18,322	7,474	6,311	1
Mass:	kg	g	lb	
Kilogram (kg)	1	1000	2,205	
Gram (g)	0,001	1	0,0022	
Pound (lb)	0,454	453,59	1	
Pressure:	Pa	bar	kg/cm²	psi
Pascal (Pa)	1	0,00001	0,00001	0,00014
Bar (bar)	100000	1	1,019	14,504
Kilogr. per square cents	98100	0,981	1	14,228
Pounds per square inch (psi)	6894,76	0,0689	0,07	1
Energy:	J	kWh	cal	kcal
Joule (J)	1	2,77 · 10 ⁻⁰⁷	0,239	0,00024
Kilowatt per hour (kWh)	3600000	1	860421	861,244
Calorie (cal)	4,186	1,16 · 10 ⁻⁰⁶	1	0,001
Kilocalorie (kcal)	4186	0,0012	1000	1
Power:	kW	HP	BTU/h	
Kilowatt (kW)	1	1,341	3412,14	
Horse power (HP)	0,746	1	2544,43	
British Thermal Unit/hour (BTU/h)	0,00029	0,00039	1	
Flow:	m³/h	US gall/min	UK gall/min	l/s
Cubic meters/hour (m ³ /h)	1	3,667	4,403	0,278
US gallon/minute (US gall/min)	0,273	1	1,201	0,076
UK gallon/minute (UK gall/min)	0,227	0,833	1	0,063
Litres/second (l/s)	3,6	13,198	15,85	1
Temperature:	°C	°F	K	
Degree celsius (°C)	1	[(9/5)x°C] + 32	°C + 273,16	
Fahrenheit (°F)	(5/9)x(°F - 32)	1	n.a	
Kelvin (k)	K - 273,16	n.a	1v	

Pipe dimensions and water flow

DN mm	D mm	Inches	Water flow (m ³ /h) depending on water velocity	
			Suction (1,2 m/s)	Discharge (2 m/s)
15	20	1/2"	1	1,6
20	25	3/4"	1,6	2,7
25	32	1"	2,7	4,4
32	40	1 1/4"	4,4	7,3
40	50	1 1/2"	7,5	12,5
50	63	2"	11	18,4
65	75	2 1/2"	15,7	26,1
80	90	3"	22,3	37,1

Index

A	Above ground pool ladders.....	420	
	Access ladders for disabled persons.....	52	
	Accessories.....	319	
	Accessories.....	485	
	Accessories for covers.....	388	
	Accessories for minispas.....	489	
	Air blowers.....	492	
	Air vents.....	189	
	Air/water heat pumps with axial ventilator, for outdoor installation – american style model.....	501	
	Air/water heat pumps with centrifugal ventilator, for indoor installation.....	506	
	Algicide.....	232	
	Anchoring sockets.....	446	
	"Aquarmony" underwater musical system.....	346	
	AstralPool Signature laminated filters.....	140	
	AstralPool Signature LED lighting.....	302	
	AstralPool Signature ornamental water features.....	323	
	AstralPool Signature Salt electrolysis & pH control.....	253	
	AstralPool Signature Self-priming pumps.....	194	
	AstralPool Signature Showers.....	66	
	Automatic covers.....	394	
Automatic covers: Accessories.....	414		
Automatic regulation and control equipment.....	272		
Automatic suction cleaners.....	285		
B	Blow-moulded sand filters.....	131	
	Bobbin wound filters.....	145	
	Bromine Disinfection.....	230	
C	Brushes.....	297	
	Cartridge filters.....	128	
	Centrifugal pumps.....	201	
	Checkits & photometers.....	244	
	Chlorine disinfectants and non comburent chlorine.....	225	
	Chlorine multi-action disinfectants.....	227	
	Cleaners.....	234	
	Cleaning kits.....	299	
	Collector pipe for valve manifold.....	455	
	Compact filtration housings.....	188	
	Complements.....	237	
	Complements for spas.....	484	
	Concrete pool – ABS inlets.....	101	
	Concrete pool – Drain grilles.....	99	
	Concrete pool – Main drain accessories.....	98	
	Concrete pool – Main drains.....	95	
	Concrete pool – Skimmer Accessories.....	91	
	Concrete pool – Skimmer accessories in S.S.....	94	
	Concrete pool – Skimmers 15 l.....	88	
	Concrete pool – Skimmers 17.5 L.....	89	
	Concrete pool – S.S. inlets.....	104	
	Concrete pool – S.S. Skimmers.....	92	
	Concrete pool – Wall conduits.....	106	
	Concrete pool – Water level regulators.....	94	
	Concrete pool – Winter accessories.....	107	
	Conditions for accepting and order.....	379	
	Connection boxes.....	318	
	Continous flocculation system.....	265	
	Control boxes.....	219	
	Control panel.....	186	
	Control systems.....	277	
	Countercurrent swimming equipment: Marlin.....	336	
	Countercurrent swimming equipment: Swimtrainer.....	335	
	D	Dehumidifiers.....	523
		Diatomaceous earth filters.....	126
		Disinfection with active Oxygen (free from Chlorine).....	231





D	Diving & Springboards	61
	Domoticpool	279
	Dosing equipment	250
	Dosing pumps	266
E	Electrode cleaning and adjustment	275
	F Fibre optics lighting	319
F	Filter codification for commercial filters	147
	Filter diffuser	455
	Filter ring manifold for 1" laterals	454
	Filter ring manifold for 3/4" laterals	454
	Filtration media & accessories	190
	Floats	439
	Flocculants	233
	G Garden showers	427
	Grab rails	55
	H	Halogen lights
Halogen lights for fountains and ponds		316
Handles		293
Handrail brackets		57
Handrails		56
Heat exchangers		512
Heat pumps		498
Hydrocleaners		300
Hydrocyclonic pre-filter		129
I		Indicators
	In-ground overflow commercial spas	475
	In-ground residential spas	473
	Injection moulded sand filters	130
	Introduction	496
K	Kit Spa Moment	247
	L Laminated filters	133
L	Lamps for halogen lights	317
	Lane rope accessories	442
	Lane ropes	434
	Lane rope storage equipment	441
	Leaf skimmers	296
	LED control systems	309
	LED lighting	303
	Lifeguard chairs	60
	Life saving accessories	59
	Liner 75/100°	364
	Liner accessories	375
	Liner and prefabricated pool - ABS inlets	116
	Liner and prefabricated pool - Main drain accessories	115
	Liner and prefabricated pool - Main drains	112
	Liner and prefabricated pool - Skimmers 15 L	108
	Liner and prefabricated pool - Skimmers 17.5 L	110
	Liner and prefabricated pool - S.S. inlets	120
	Liner and prefabricated pool - Wall conduits	121
	Liner and prefabricated pool - Water level regulators	115
Liner classification according to pool	366	
Liner installation and fixing	374	
Liners for steps	371	
M	Manual suction cleaners	291
	MCS	461
	Monoblocs with d.e. and cartridge filters	423
	Movable wall	447
	Multiport valves	175
N	O Net'N'Clean integrated cleaning system	282
	Outdoor footwash	76
O	Overflow gratings	78
	P Panelled pool - Skimmers 15 L	109

Index

P	pH regulators	224
	Pocket gauges	243
	Pool access - Accessories	51
	Pool Access - AstralPool Signature ladders	40
	Pool access - Exit grab rails	48
	Pool access - Ladders	40
	Pool Chillers	510
	Pool cleaners pumps	290
	Pool & Spa gas heaters	521
	Premium thermal covers	383
	Pressure fluid handling PVC accessories	453
	Pressure fluid handling PVC pipes and valves	452
	Pressure fluid handling PVC PN-16 fittings	450
	Pressure gauge panels and Air blowers	191
	Products for Salt Electrolysis	238
	Project Pool	458
	Protection covers for winter	385
	PVC reinforced 150/100° liner	372
	Residential spas in wood cabinet	468
	Retro-fit filter combination units	124
R	Safety barriers	84
		84
S	Salt electrolysis for public pools	259
	Salt electrolysis & pH control	254
	Sauna	493
	Sauna accessories	494
	Self-priming pumps	195
	Showers	68
	Showers - Shower Trays	77
	Showers - Shower Tunnels	76
	Skimfilters	425
	Skimmers	426
	Skypool Commercial Pools	25
	Skypool Residential Pools	31
	Slides	63
	Solar heat collectors	522
	Special Centrifugal pumps for sea water	211
	Standard liner calculation method	368
	Starting blocks for competition pools	431
	Steps units	377
	Storage rollers for covers	391
	Strainers	214
	Submersible pumps	222
	Suction hoses	294
	Supports for valve manifold	187
T	Telescopic covers	418
	Thermal covers - foam	384
	Thermal covers for summer	382
	Thermometers	280
	Turning panels	445
U	Underwater lights	427
	Underwater Safety Alarms	85
	UV automatic disinfection	262
V	Valve manifold	184
	Valves and flanges	218
	Vitreous lining	350
W	Water games and Ornamental water features	324
	Water meters	276
	Water test kits	240
	Water/water plate heat exchanger	517
	Winter care products	236





PREFABRICATED POOLS AND ACCESSORIES



POOL SURROUND EQUIPMENT



POOL SHELL EQUIPMENT



FILTRATION



PUMPS



WATER TREATMENT



DOSAGE, MEASUREMENT, REGULATION AND AUTOMATION



POOL CLEANING EQUIPMENT



POOL LIGHTING AND ORNAMENTAL FEATURES



POOL LINING MATERIAL



POOL COVERS AND ROLLERS



ABOVE GROUND POOLS



COMPETITION POOL EQUIPMENT



PVC ACCESSORIES FOR POOLS



SOFTWARE



SPAS AND SAUNAS



POOL HEATING



PREFABRICATED POOLS AND ACCESSORIES



- 25 • Skypool Commercial Pools
- 31 • Skypool Residential Pools



SKYPOOL COMMERCIAL POOLS

A versatile public pool...

Skypool Commercial Pools is the range of prefabricated panel pools developed by **AstralPool** for public pools. **Skypool Commercial Pools** is composed of a hot galvanised steel structure that facilitates the construction of all sizes of above or inground pools in a very short period of time.

The method used by AstralPool in order to protect the materials used from rust is hot galvanisation. This is an innovative process which is being applied for the first time to 2-mm thick steel sheets, and consists of immersing the steel in molten zinc baths at approximately 450°C.

Skypool Commercial Pools can be adapted to all public pool requirements with tailor made technical solutions. Movable floors and booms are available; panels and overflow gutter can be individually adjusted to absorb possible construction deficiencies in the slab or paving.

This, combined with a variety of accessories, allow a more generalised use of the pool.

A broad range of models and variations of **Skypool Commercial Pools** enable total adaptation to any existing infrastructures such as stadiums, sports halls and other venues for any type of regional, national or international event. Fixed models can also be created to increase pool facilities available such as spa installations, hotels, water parks, etc.

Skypool Commercial Pools, high-performance pool

Quick assembly

Reduced assembly time thanks to easy-to-assemble fully prefabricated components.

Extremely long-lasting

Manufactured for maximum quality, functionality and durability.

Excellent reliability

Totally safe construction system using the best components.

The best investment

No complex infrastructure required for a fully equipped pool at low cost.

FIXED MODEL

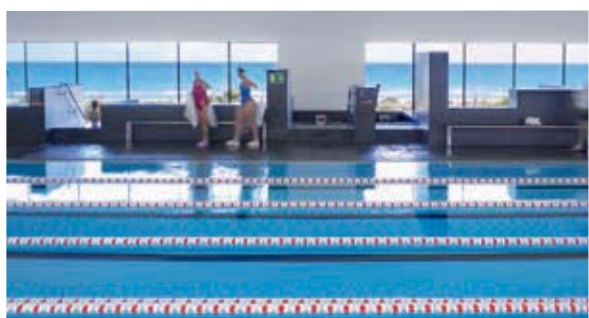
Fixed Skypool Commercial Pools

A multi-purpose pool anchored to the previously installed concrete slab with chemical anchors, can be adapted to the needs of any installation.

Depending on to your needs, you may choose between an above ground or an in-ground pool. The selection of one option or the other does not need modifications to either the assembly method or the design of the panels or anchoring system. All procedures and materials are fully compatible for both alternatives.

The size and the amount of chemical plugs will depend on the type of pool.

Fixed Skypool Commercial Pools, a multi-purpose pool fixed to the ground



Lightweight Structure

In Manchester the designers of an upmarket apartment block built their health club on the 18th floor, providing users with breathtaking views across the city. The Skypool was a perfect solution due to its low weight compared to conventional concrete structured pools. By installing Skypool panels there was no need to reinforce the actual building structure and just the weight of the water had to be taken into account. By requiring less reinforcement, building costs can be minimised.



Watertight

An exclusive health club in Gavá, Spain, has underground parking for clients, as well as the changing rooms, below the pool and wellness area, so watertightness is a key issue. For this reason they chose Skypool. Installed on the second floor, providing seamless views over the sea, the Skypool structure and its liner guarantee 100% watertightness. The liner is placed inside the panel structure, so even if there are slight movements as the new building settles, this will not affect the watertightness of the pool.



Adaptable

The high rise Skypools enable a pool to be installed in any space when designing a new building. The pool in Beijing is located in the connecting area between two parts of the building. This facilitates more contemporary designs and allows the most optimum use of the space available.

Compact

Thanks to the compact nature of the panel structure, the pools can be installed at any height and in any space. A city centre health club, such as Arsenal in Barcelona, was able to install a roof top pool on the 6th floor thanks to the low weight structure and accessibility of AstralPool's Skypool. The panels provide for easy handling, even in installations on top of buildings and where access is problematic.

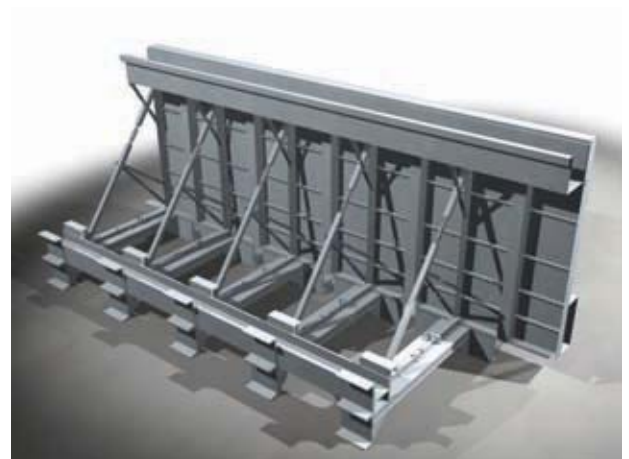
SUSPENDED MODEL

Suspended Skypool Commercial Pools

Panels are mounted onto structures which are joined via a longitudinal beam. In order to be able to withstand water pressure, opposing blocks are connected via steel cables which run length and breadth-wise across the pool floor.

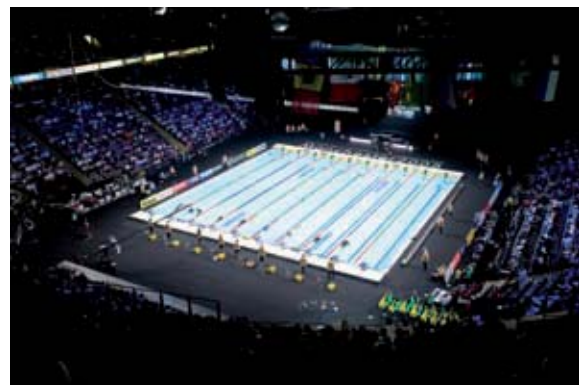
In order to fully conceal the cables, a raised floor is installed. The final result is a perfectly level and consistent slab onto which the liner can be fitted. As the water fills the shell of the pool, the steel cables become tighter, counteracting the pressure exerted by the water mass on the pool structure.

Suspended Skypool Commercial Pools, an adaptable and temporary pool



Melbourne 2007

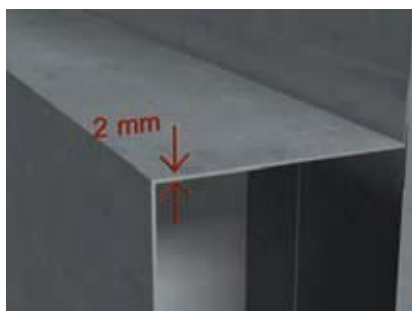
Manchester 2008



THE PANEL SET ELEMENTS

The panel set is composed of a series of elements that form the basic assembly unit. Each set is essentially made up of a panel, overflow channel and reinforcing brackets.

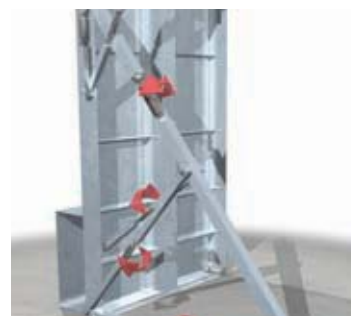
The panel, pool wall



Overflow channel



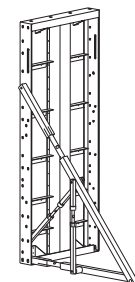
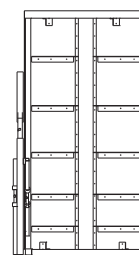
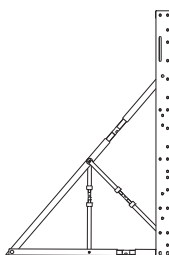
Supporting brackets



EGO Panels



Besides straight panels, we also offer **curved models (EGO panels)** which allow free form pools of all sizes to be easily constructed.



Skypool Commercial Pools panel sets

Several depths to choose from:

- 0.80 m high panel, for children's pools.
- 1.20 m high panel, for leisure pools.
- 1.40 m high panel, for leisure pools.
- 1.60 m high panel, for leisure pools.
- 1.80 m high panel, for swimming pools.
- 2.00 m high panel, for Water polo pools.

Several widths to choose from:

- 0.50 m wide panel for 12.5 m wide pools.
- 0.80 m wide panel for 16.6 m wide pools.
- 1.00 m wide panel.

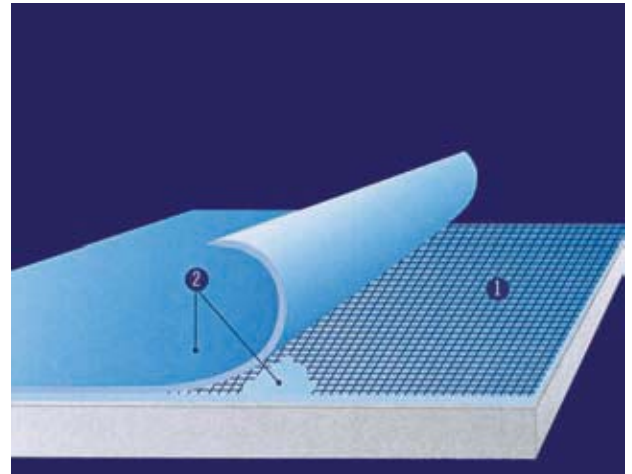
The width of panels can be custom designed, depending on the needs of the pool design, up to 1 m wide.

Possible combinations:

- Synchronised swimming pools 3.00 m deep composed of a 1.80 panel + a 0.40 m inverted swimmer's step and a 0.80 m panel.
- Diving pools 5.00 m deep composed of a 2.00 m panel + a 1.80 panel + a 0.40 m inverted swimmer's step and a 0.80 m panel.

LINER

The best solution for pool watertightness. Manufactured in 150/100 reinforced PVC-P, this material is the most used for lining pools thanks to enhanced malleability, resistance to tearing, ease of welding, resistance to colour fading and with a wide range of available colours.



- 1 Inner layer made of fiberglass.
- 2 Highly resistant PVC.

Placing of the liner

In **Skypool Commercial Pools**, the liner is installed by welding several rolls together until the entire surface of the basin is fully watertight. The liner is laid from the external part of the overflow to prevent the panel surface coming into contact with water. This prevents any leakage due to possible structural movements, insufficient tightening or an inadequate gasket arrangement.

Pool shell accessories feature a sealing system with gaskets to prevent any leakage.

Return and suction inlets

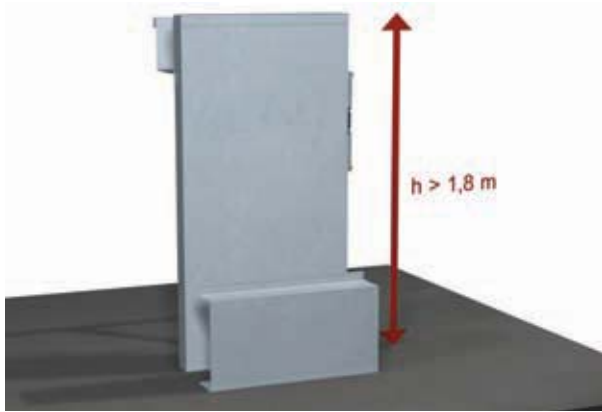
A side or bottom return system for filtered water can be installed in all models and designs of **Skypool Commercial Pools**.

We recommend bottom return. This system ensures the perfect homogenisation of physical and chemical water parameters, since the return inlets are evenly distributed.

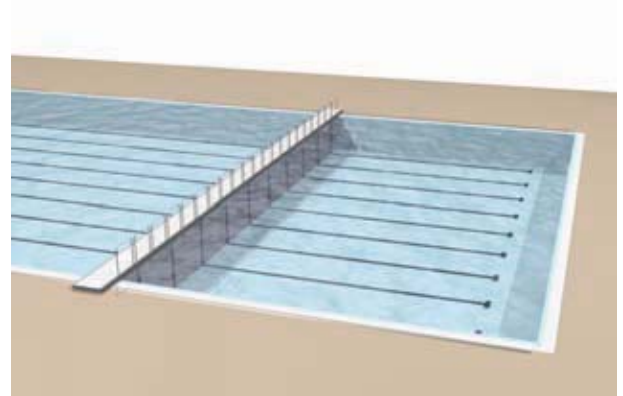
The usage of automatic equipment for monitoring and controlling chemicals in the water requires installing a prefabricated pool suction nozzle. The nozzle designed for **Skypool Commercial Pools** is manufactured entirely of ABS and complies with the established standards, which require grille slots of 8 mm maximum.

ACCESSORIES

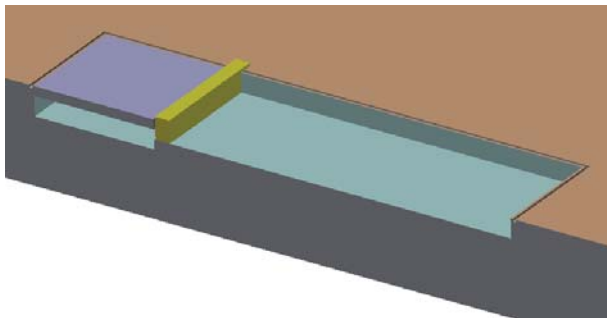
Swimmer's step,
an extra feature for the pool



Movable boom, to adjust pool length



Mobile Platform that is submerged in the pool that allows the modification of the height of the glass of the pool.

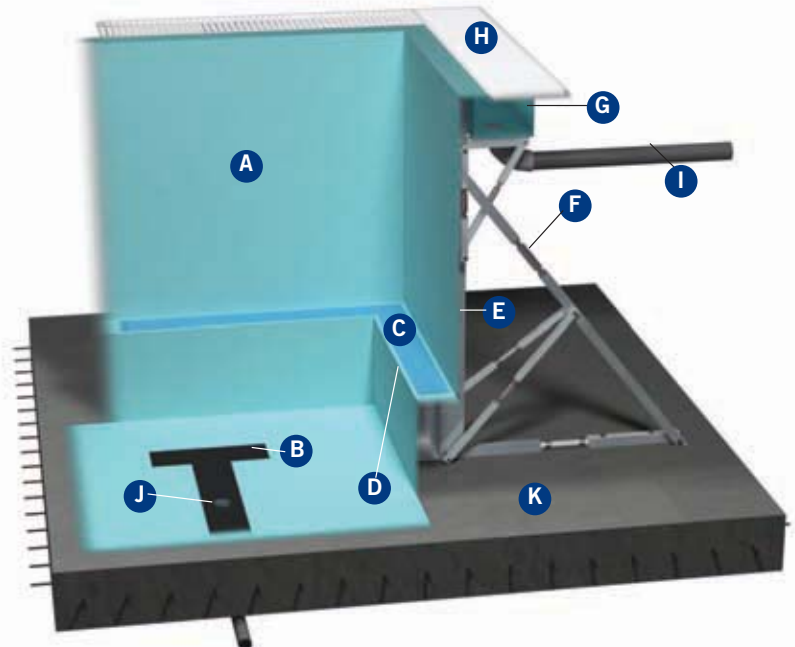


Starting block platforms



DIAGRAM

- A Plain liner 150/100.
- B Black liner 150/100 (lane).
- C Plain non-slip liner 150/100.
- D Bather's step.
- E 2 mm thick panel with hot dip galvanized coating.
- F Panel tie rod.
- G Overflow channel.
- H Overflow grille in ABS.
- I Overflow drain.
- J Bottom return inlet.
- K Concrete slab.





Enter the World of Skypool

Skypool allows you to enjoy a quality swimming pool at a very attractive price, thanks to its quick, easy and convenient installation system.

Skypool, a swimming pool in just a few days.

Now you can enjoy your pool in the quickest, most convenient and the safest way possible.

A pool you can assemble yourself.

Skypool uses galvanised steel panels that are both easy to assemble and extremely strong and resistant.

An all-terrain pool.

Skypools adapt to any kind of ground regardless of its access, inclination or composition.

An exclusive pool.

Your Skypool swimming pool is unique, choose from a wide range of shapes, sizes, colours and AstralPool range of accessories.

10
Years
Guarantee



SKYPOOLSIMPLICITY

The smooth inner wall makes pool cleaning easier.

SKYPOOLSTABILITY

Resistant to ground movement.

SKYPOOLRESISTANCE

In extreme temperatures.

SKYPOOLDURABILITY

Galvanised steel panels with zinc guaranteed anticorrosion.

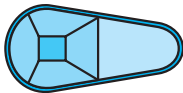
SKYPOOLSTRENGTH

Skypool's support braces compensate the panel against water pressure.

MODELS

Regina

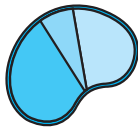
With smooth yet defined and evocative lines, the **Regina** is the ideal pool to create a pleasant, relaxed environment. Imagine swimming and diving in this pool, or simply having a refreshing dip...



Monterrey

With its curved shape, the **Monterrey** pool adapts to terrain and space of any kind.

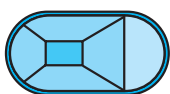
It is broad, spacious and very decorative. Perhaps the most elegant of our pools.



Manhattan

The **Manhattan** turns the shape of a rectangular pool into a gently oval shape, giving a decorative touch to a high capacity, high performance pool.

This pool is ideal for large spaces in any type of terrain.



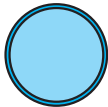
MODELS

Phoenix

Our most original pool!

With our **Phoenix** model you won't have to give up the idea of having a pool, no matter what space you have available.

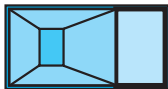
This model means you can be cool and relaxed in an inviting setting.



Providence

The **Providence** is the classic swimming pool par excellence. With its straight, angular lines it allows you to make the most of the space available.

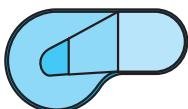
This is the ideal keep-fit pool!



Chicago

Its asymmetric shape and gentle outline make the **Chicago** a different type of pool, with a number of location options.

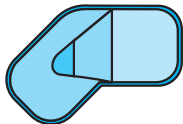
For diving, swimming, splashing about or simple cooling off and relaxing, this pool meets your needs.



MODELS

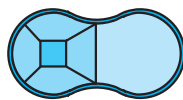
Boston

A pool with two areas of equal size and shape. If you wish you can order this pool with two different depths: one for children and the other one for adults. Its size and shape make the **Boston** an ideal pool for the whole family.



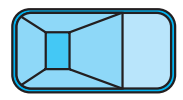
Carolina

A subtle yet fun pool, with a touch of distinction. The **Carolina's** rounded forms will improve the look of any back yard.



Denver

The **Denver** tones down the shape of the traditional rectangular pool, while maintaining its advantages. As such, it's a spacious pool perfect for enjoying with the whole family.



CUSTOMISE THE DEPTH AND THE COLOUR

Once you have chosen your ideal pool, it's time to decide what depth you want.

FLAT bottom



Especially designed for serious swimming, for adults and children alike. Recommended for smaller pools.

Choose a flat bottom with the depth you prefer: 1.20 m, 1.35 m or 1.50 m.

SLOPING bottom



Your pool can have two different depths by combining a flat bottom with a sloping one. Ideal for the whole family.

Choose the depth you prefer by combining 1.20 m, 1.35 m or 1.50 m panels.

DEEP SLOPING bottom



A deep sloping pool is designed for serious sportspeople. The deepest part of your pool can be up to 2.75 metres deep, depending on the pool model.

STANDARD liners



White

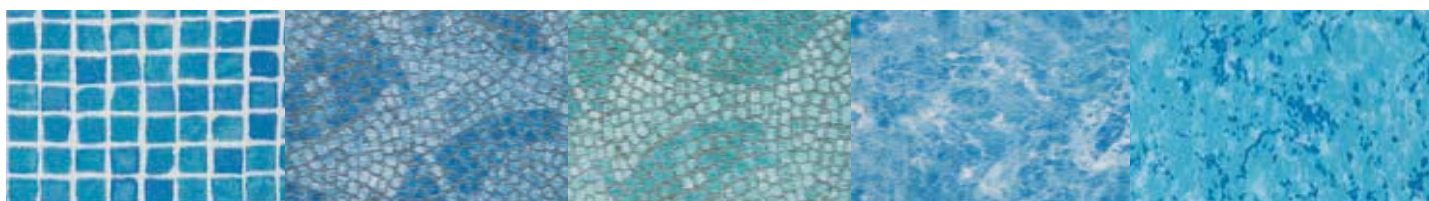
Sand

Light Blue

Navy Blue

Caribbean Green

PATTERNED liners



Mosaic

Byzantium Blue

Byzantium Green

Marble

Servanne

Liners with FRIEZE BORDERS



Carthage

Pompeii

Mykonos

Olympia

Florentine

WELDED liners

POOL SURROUND EQUIPMENT



- 40 • Pool Access - AstralPool Signature ladders
- 40 • Pool access - Ladders
- 48 • Pool access - Exit grab rails
- 51 • Pool access - Accessories
- 52 • Access ladders for disabled persons
- 55 • Grab rails
- 56 • Handrails
- 57 • Handrail brackets
- 59 • Life saving accessories
- 60 • Lifeguard chairs
- 61 • Diving & Springboards
- 63 • Slides
- 66 • AstralPool Signature Showers
- 68 • Showers
- 76 • Showers - Shower Tunnels
- 76 • Outdoor footwash
- 77 • Showers - Shower Trays
- 78 • Overflow gratings
- 84 • Safety barriers
- 85 • Underwater Safety Alarms



POOL ACCESS - ASTRALPOOL SIGNATURE LADDERS

Elegance ladders

Elegantly designed stepladders with vertical bars that provide easier access to the pool. Manufactured in AISI 316 with 2 anchors. The ladders incorporates a double step with non-slip material for added safety and comfort. Available in 3 or 4 steps. Two versions of the Signature range with IPE wood and wood-free version. The stylized version with IPE wood is a perfect complement for the rest of Pluvium range. Wood quality and durability, comfortable to hold. Both models come with a 3 years guarantee.

Elegance Inox

3 steps ladder
4 steps ladder

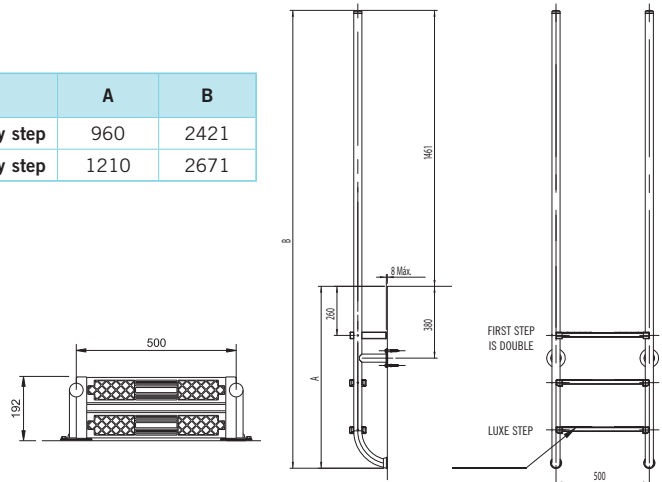
Elegance Ipé - Inox

3 steps ladder
4 steps ladder

Code	Standard Packaging	Standard Weight kg	Standard Volume m ³
------	--------------------	--------------------	--------------------------------

45782	1	14	0.089
45783	1	15	0.089
45900	1	14	0.089
45901	1	15	0.089

Code	Code	Steps	A	B
45782	45900	2 + 1 safety step	960	2421
45783	45901	3 + 1 safety step	1210	2671



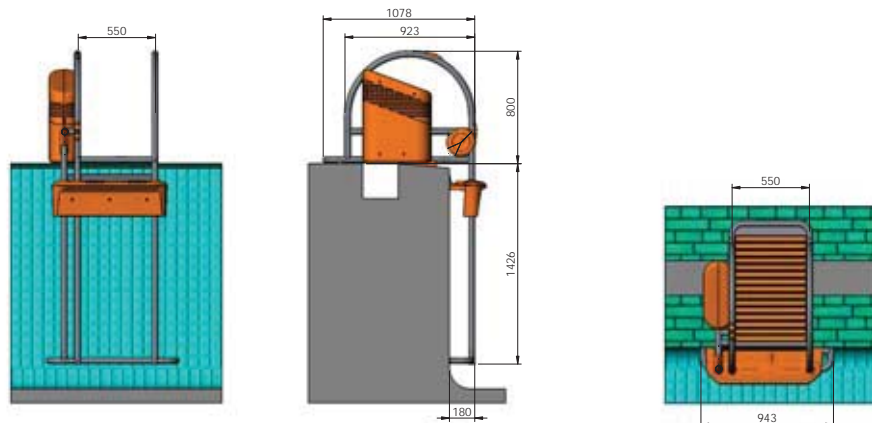
POOL ACCESS - LADDERS

Waterlift

Made of Stainless Steel AISI-316 and injected plastic parts. Easy to use and maintain. Automatic lifting device driven by a 24v cc single phase motor reducer. IP-67 isolation for all the electrical and electronic components. The different components are controlled by an electronic plate. The system is operated by two push-button (up and down) placed on the rail. Ergonomic and functional design.

Code	Standard Packaging	Standard Weight kg	Standard Volume m ³
------	--------------------	--------------------	--------------------------------

32409	1	75	3.66
--------------	---	----	------



POOL ACCESS - LADDERS

Komfort 650 ladders



Ladder for domestic or commercial pools with the new Komfort step, which allows fixing to the rails without the need for screws. The Komfort step provides better safety, resistance and a wider support surface that reduces strain and makes it easier to get in and out of the pool. Handrails in polished Stainless Steel 43 mm.

	Code	Standard Packaging	Standard Weight kg	Standard Volume m ³
Komfort 650 - 3 steps	43269	1	12	0.147
Komfort 650 - 4 steps	43270	1	15	0.147

Komfort 1000 ladders for overflow pools



Ladder for domestic or commercial deck level pools with the new Komfort step, which allows fixing to the rails without the need for screws. The Komfort step provides better safety, resistance and a wider support surface that reduces strain and makes it easier to get in and out of the pool. Handrails in polished Stainless Steel 43 mm.

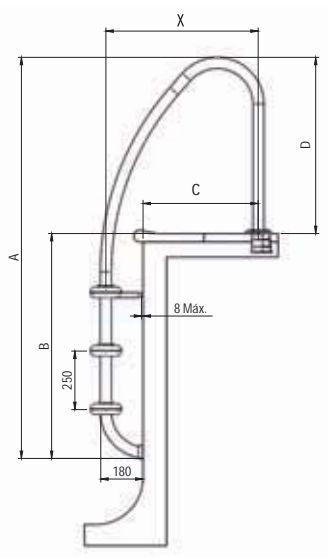
	Code	Standard Packaging	Standard Weight kg	Standard Volume m ³
Komfort 1000 - 3 steps	42867	1	16	0.154
Komfort 1000 - 4 steps	42868	1	17	0.154

Komfort Split ladders

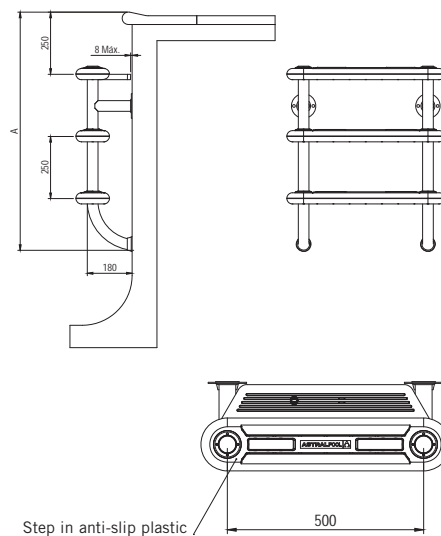


Undercover ladder with flange fixings for the top only, handrails in polished Stainless Steel 43 mm.

	Code	Standard Packaging	Standard Weight kg	Standard Volume m ³
Komfort split 3 steps	41324	1	7.6	0.064
Komfort split 4 steps	41325	1	9	0.060



Code	X	A	B	C	D
43269	650	1710	960	492	750
43270	650	1960	1210	492	750
42867	1000	1710	960	842	750
42868	1000	1960	1210	842	750
41324		960			
41325		1210			



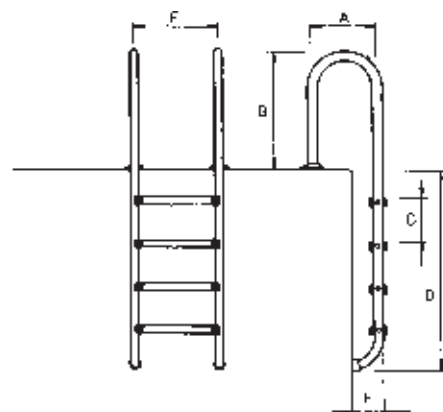
POOL ACCESS - LADDERS

Wall model ladders with handrails



Ladders for embedded pools. Handrails in polished Stainless Steel (Ø 43 mm) tube. Steps in Stainless Steel. Its perfect design assures anti-slip security. Complete with anchoring fixtures and earthing connection.

Steps	A	B	C	D	E	F
2	350	620	250	710	180	500
3	350	620	250	960	180	500
4	350	620	250	1210	180	500
5	350	620	250	1460	180	500



Wall model ladder with Luxe model steps

Rails & steps in AISI-316.

	Code	Standard Packaging	Standard Weight kg	Standard Volume m ³
2 steps ladder	05480	1	9.0	0.05
3 steps ladder	05481	1	10.5	0.06
4 steps ladder	05482	1	12.4	0.06
5 steps ladder	05483	1	13.7	0.07



Wall model ladder with Standard model steps

Rails & steps in AISI-304.

	Code	Standard Packaging	Standard Weight kg	Standard Volume m ³
2 steps ladder	05492	1	9.0	0.05
3 steps ladder	05493	1	12.7	0.06
4 steps ladder	05494	1	14.8	0.06
5 steps ladder	05495	1	13.6	0.07



H-Protection ladder

New

Ladder width 500 mm. Handrail in hand polished in Stainless Steel (Ø43 mm). Rails in Stainless Steel AISI-304, with an special polyamide coating and plastic threads in order to be protect to any water-treatment and to be install in salt-water.

	Code	Standard Packaging	Standard Weight kg	Standard Volume m ³
H-Protection ladder - 2 steps	54104	1	9	0.073
H-Protection ladder - 3 steps	54105	1	12	0.100
H-Protection ladder - 4 steps	54106	1	15	0.100
H-Protection ladder - 5 steps	54107	1	18	0.116

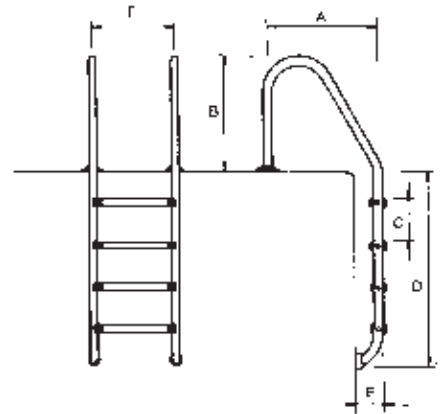
POOL ACCESS - LADDERS

Standard model ladders with handrails



Ladders for embedded pools. Handrails in polished Stainless Steel (Ø 43 mm) tube. Steps in Stainless Steel. Its perfect design assures anti-slip security. Complete with anchoring fixtures and earthing connection.

Steps	A	B	C	D	E	F
2	650	620	250	710	180	500
3	650	620	250	960	180	500
4	650	620	250	1210	180	500
5	650	620	250	1460	180	500



Standard ladder with Luxe model steps

Rails & steps in AISI-316.

	Code	Standard Packaging	Standard Weight kg	Standard Volume m ³
2 steps ladder	05476	1	9.8	0.07
3 steps ladder	05477	1	11.5	0.08
4 steps ladder	05478	1	14.0	0.08
5 steps ladder	05479	1	15.0	0.10



Standard ladder with Standard model steps

Rails & steps in AISI-304.

	Code	Standard Packaging	Standard Weight kg	Standard Volume m ³
2 steps ladder	05488	1	9.6	0.07
3 steps ladder	05489	1	12.0	0.08
4 steps ladder	05490	1	15.0	0.09
5 steps ladder	05491	1	15.0	0.09

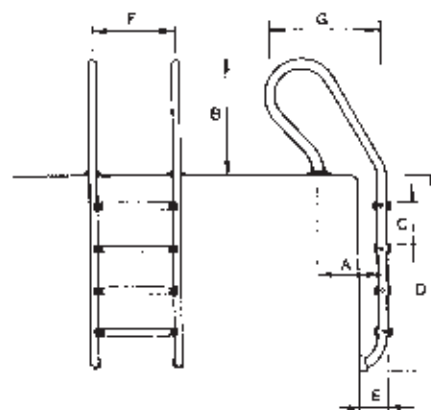
POOL ACCESS - LADDERS

Mixed model ladders with handrails



Ladders for embedded pools. Handrails in polished Stainless Steel (Ø 43 mm) tube. Steps in Stainless Steel. Its perfect design assures anti-slip security. Supplied with anchoring fixtures and earthing connections.

Steps	A	B	C	D	E	F	G
2	350	620	250	710	180	500	522
3	350	620	250	960	180	500	522
4	350	620	250	1210	180	500	522
5	350	620	250	1460	180	500	522



Mixed model ladder with Luxe model steps

Rails & steps in AISI-316.

	Code	Standard Packaging	Standard Weight kg	Standard Volume m ³
2 steps ladder	05484	1	9.7	0.07
3 steps ladder	05485	1	11.5	0.08
4 steps ladder	05486	1	12.6	0.09
5 steps ladder	05487	1	14.8	0.09



Mixed model ladder with Standard model steps

Rails & steps in AISI-304.

	Code	Standard Packaging	Standard Weight kg	Standard Volume m ³
2 steps ladder	05496	1	9.7	0.07
3 steps ladder	05497	1	11.4	0.08
4 steps ladder	05498	1	15.3	0.09
5 steps ladder	05499	1	14.8	0.10

POOL ACCESS - LADDERS



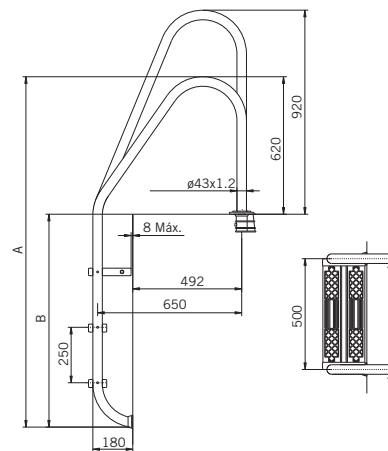
Standard asymmetrical model

Standard model ladder for embedded pools. Handrails in polished Stainless Steel (Ø 43 mm) pipe. Complete with anchoring fixtures and earthing connection. Rails and non-slip LUXE steps in AISI-316. Its design assures safety against any slipping or cuts.

- 1 step "Luxe" + 1 double safety step
- 2 steps "Luxe" + 1 double safety step
- 3 steps "Luxe" + 1 double safety step
- 4 steps "Luxe" + 1 double safety step

Code	Standard Packaging	Standard Weight kg	Standard Volume m ³
19938	1	13.0	0.07
19939	1	13.9	0.08
19940	1	15.8	0.10
19941	1	17.0	0.10

Code	Steps	A	B
19938	2	1330	710
19939	3	1580	960
19940	4	1830	1210
19941	5	2080	1460



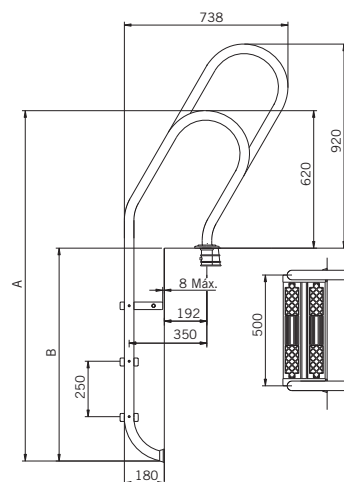
Mixed asymmetric model

Mixed model ladder for embedded pools. Handrails in polished Stainless Steel (Ø 43 mm) pipe. Its design assures safety against any slipping or cuts. Supplied with anchoring fixtures and earthing connection. Rails and non-slip LUXE steps in AISI-316.

- 2 steps "Luxe" + 1 double safety step
- 3 steps "Luxe" + 1 double safety step
- 4 steps "Luxe" + 1 double safety step

Code	Standard Packaging	Standard Weight kg	Standard Volume m ³
19943	1	14.0	0.08
19944	1	15.6	0.09
19945	1	17.5	0.10

Code	Steps	A	B
19943	3	1580	960
19944	4	1830	1210
19945	5	2080	1460



POOL ACCESS - LADDERS



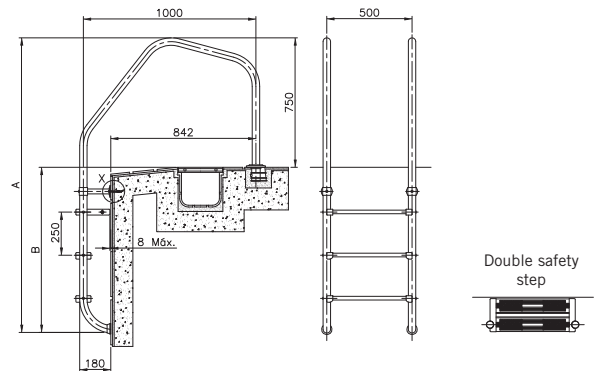
Overflow 1000 model

Ladder width 500 mm. Handrails in polished Stainless Steel (Ø 43 mm) pipe. With anchoring fixtures and earthing connection. Manufactured in accordance to EN 13451-1 and EN 13451-2 Standards. Rails and non-slip steps in AISI-316.

- 1 step "Luxe" + 1 double safety step
- 2 steps "Luxe" + 1 double safety step
- 3 steps "Luxe" + 1 double safety step
- 4 steps "Luxe" + 1 double safety step

Code	Steps	A	B
07514	2	1460	710
07515	3	1710	960
07516	4	1960	1210
07517	5	2210	1460

Code	Standard Packaging	Standard Weight kg	Standard Volume m ³
07514	1	13.2	0.016
07515	1	15.3	0.016
07516	1	17.1	0.18
07517	1	19.2	0.20



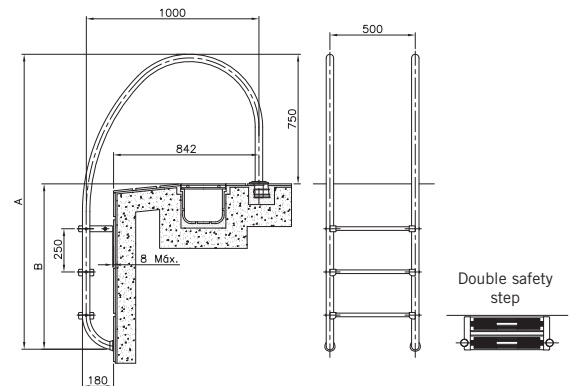
Ladder for overflow pool

A new feature of this ladder is the variable radius of the curve in the grip section giving a more modern and attractive appearance. Steps with a width of 500 mm and made according to European Standards EN 13451-1 and EN-13451-2. Easily installed. Handrails Ø 43 mm x 1.5 mm and steps in AISI-316 with polished finish. With anchoring fixtures and earth connection. Note: Installation with the anchors codes 00043, 08727, 07331, 18243 is not allowed.

- 2 steps ladder
- 3 steps ladder
- 4 steps ladder
- 5 steps ladder

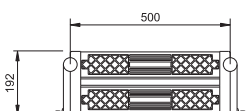
Code	Steps	A	B
32653	2	1460	710
32654	3	1710	960
32655	4	1960	1210
32656	5	2210	1460

Code	Standard Packaging	Standard Weight kg	Standard Volume m ³
32653	1	13.2	0.158
32654	1	16.2	0.180
32655	1	17.1	0.202
32656	1	19.2	0.217



Double non-slip safety step

Complies with EN 13451-1 and EN 13451-2 Standards. Steps in AISI-316 with polished finish. Suitable for all inground ladder models.



Code	Standard Packaging	Standard Weight kg	Standard Volume m ³
07603	1	2.05	0.003



POOL ACCESS - LADDERS



Easy access model



Ladder width 500 mm. Complies with EN 13451-1 and EN 13451-2 European Standards. Handrails in polished Stainless Steel (Ø 43 mm) pipe. With anchoring fixtures and earthing connection. With double safety steps and increased overall height in accordance to BS EN 13451 Standard. Rails and non-slip steps in polished AISI-316.

	Code	Standard Packaging	Standard Weight kg	Standard Volume m ³
3 steps ladder	07782	1	21.6	0.145
4 steps ladder	11979	1	25.9	0.202

Code	Steps	A	B	C	D	E	F
07782	3	1835	750	250	243	490	500
11979	4	2085	750	250	243	490	500



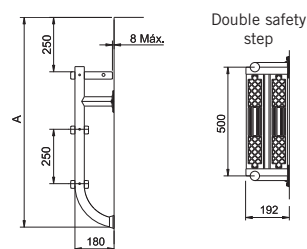
Split bottom half ladder



Complete with top and bottom flange fixings and top double safety step in accordance with EN 13451-1 and EN 13451-2 European Standards. Rails and non-slip steps in polished AISI-316. Can be used with any type of exit rails. With fixing plates, gaskets, screws and rawl plugs.

	Code	Standard Packaging	Standard Weight kg	Standard Volume m ³
1 step "Luxe" + 1 double safety step	08090	1	6.0	0.04
2 steps "Luxe" + 1 double safety step	08091	1	7.6	0.04
3 steps "Luxe" + 1 double safety step	08092	1	9.0	0.05
4 steps "Luxe" + 1 double safety step	08093	1	10.5	0.07

Code	Steps	A
08090	2	710
08091	3	960
08092	4	1210
08093	5	1460



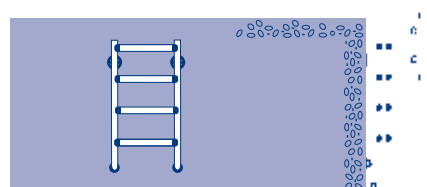
Split bottom half ladder



Rails and steps in polished Stainless Steel AISI-316. With fixing plates, gaskets, screws and rawl plugs.

	Code	Standard Packaging	Standard Weight kg	Standard Volume m ³
2 steps "Luxe"	01456	1	5.0	0.04
3 steps "Luxe"	01457	1	6.3	0.04
4 steps "Luxe"	01458	1	7.7	0.05
5 steps "Luxe"	01459	1	9.2	0.07

Code	Steps	A	B	C
01456	2	710	180	250
01457	3	960	180	250
01458	4	1210	180	250
01459	5	1460	180	250



POOL ACCESS - EXIT GRAB RAILS

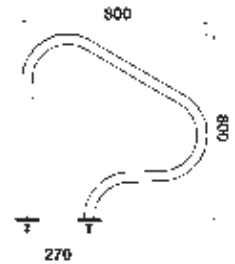


800 x 800 mm model

In polished S.S. AISI-316 Ø 43 mm pipe. Exit grab rails supplied as a pair including fixing plates, gaskets, screws and rawl plugs.

With fixing plates (pair)
For embedding (pair)

Code	Standard Packaging	Standard Weight kg	Standard Volume m ³
05541	1	9.27	0.10
05540	1	8.40	0.10

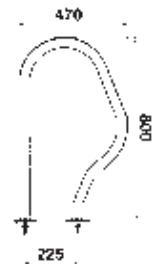


470 x 800 mm model

In polished S.S. AISI-316 Ø 43 mm pipe. Exit grab rails supplied as a pair including fixing plates, gaskets, screws and rawl plugs.

With fixing plates (pair)

Code	Standard Packaging	Standard Weight kg	Standard Volume m ³
05542	1	6.97	0.08



470 x 800 mm model with rectangular base plate model

In polished S.S. AISI-316 Ø 43 mm pipe. Exit grab rails supplied as a pair including fixing plates, screws and rawl plugs.

With fixing plates (pair)

Code	Standard Packaging	Standard Weight kg	Standard Volume m ³
05543	1	7.6	0.08



POOL ACCESS - EXIT GRAB RAILS

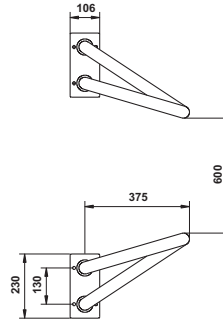
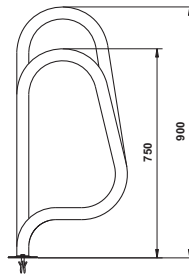


Crossover model with rectangular base plate

In polished S.S. AISI-316 Ø 43 mm pipe. Exit grab rails supplied as a pair including fixing plates, screws and rawl plugs.

With fixing plates (pair)

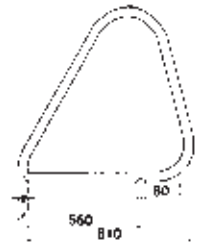
Code	Standard Packaging	Standard Weight kg	Standard Volume m ³
05544	1	8.46	0.18



Parallel model

In polished S.S. AISI-316 Ø 43 mm pipe. Exit grab rails supplied as a pair including fixing plates, screws and plugs. For fixing with anchoring fixture code 00143 (not included).

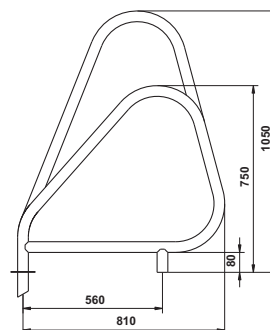
Code	Standard Packaging	Standard Weight kg	Standard Volume m ³
00110	1	10.0	0.11



Asymmetrical model

In polished S.S. AISI-316 Ø 43 mm pipe. Exit grab rails supplied as a pair including fixing plates, screws and plugs. For fixing with anchoring fixture code 00143 (not included).

Code	Standard Packaging	Standard Weight kg	Standard Volume m ³
00111	1	10.1	0.14



POOL ACCESS - EXIT GRAB RAILS



Grab rails, fixed in and out of the water

Polished S.S. AISI-316 Ø 43 mm pipe.

For embedding

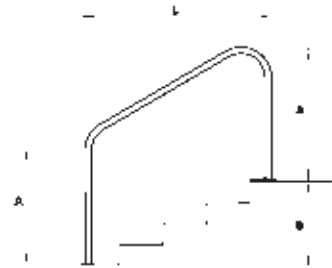
(Pair) Length 1,220 mm
(Pair) Length 1,524 mm

With flanges (gaskets, fixing plugs and screws)

(Pair) Length 1,220 mm
(Pair) Length 1,524 mm

Code	Standard Packaging	Standard Weight kg	Standard Volume m ³
00034	1	11.4	0.14
00035	1	13.0	0.16
00036	1	12.2	0.21
00037	1	13.6	0.24

L	A	B
1220	800	608
1524	800	855



Grab rail fixed out of the water

Polished S.S. AISI-316 (Ø 43 mm pipe)
1 unit

For embedding

With flanges (gaskets, fixing plugs and screws)

Code	Standard Packaging	Standard Weight kg	Standard Volume m ³
07780	1	6.7	0.118
07781	1	6.7	0.118

Code	A	B	C
07780	1250	800	203
07781	1250	800	203



Ladders and grab rails made to measure

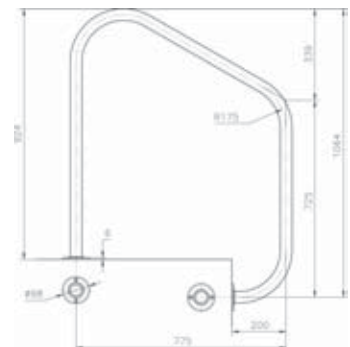
Stainless Steel ladders and handrails AISI-304 and AISI-316 can be manufactured to suit your requirements.



8 STEPS LADDER



GRAB RAIL L = 900



SPECIAL HANDRAIL

POOL ACCESS - ACCESSORIES



Ladder anchoring sockets

In plastic for Ø 43 mm pipe. With earthing connection.

Code	Standard Packaging	Standard Weight kg	Standard Volume m ³
00042	50	7.0	0.03



Ladder hinge without base plate

In polished Stainless Steel (AISI-304) for Ø 43 mm pipe.

Code	Standard Packaging	Standard Weight kg	Standard Volume m ³
00043	1	0.93	0.002



Flanged ladder hinge

In polished Stainless Steel (AISI-304) for Ø 43 mm pipe.

Code	Standard Packaging	Standard Weight kg	Standard Volume m ³
08727	1	1.0	0.002



Removable anchoring with base plate

In polished Stainless Steel (AISI-316) for Ø 43 mm pipe. Includes gaskets, screws and rawl plugs.

Code	Standard Packaging	Standard Weight kg	Standard Volume m ³
07331	1	1.00	0.003
18243	1	1.17	0.003

Set of 2 units
Set of 2 units with reinforced base plate

ACCESS LADDERS FOR DISABLED PERSONS



Portable chair for Disabled

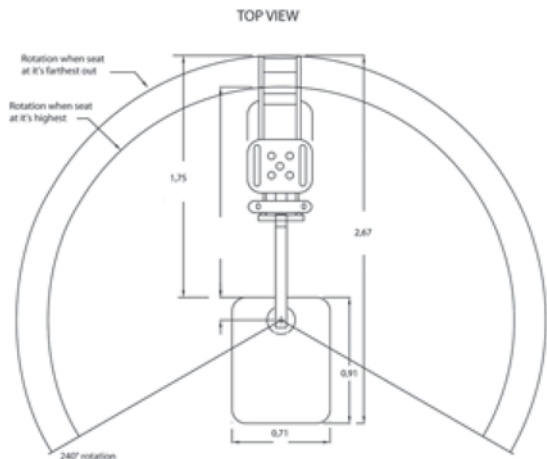
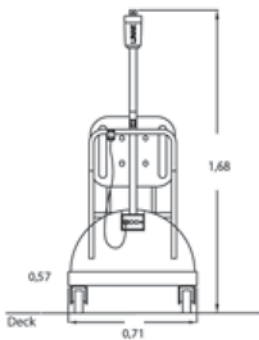


It is the perfect solution for facilities with multiple pools. It can be set up anywhere along the pool deck, and put away when not in use. Consistent operation: Features a 24 volt rechargeable battery, which powers a mechanical actuator. This combination insures the chair will work when you want it to work. Its hand control is completely waterproof. Easy to use: Can be operated by either the user or an attendant. Just roll the chair to the edge of the pool, lock the wheels, set the stabilizers, and it is ready to use. Structure made of proof materials resistant to the corrosion. Armrest & Footrest included. Makes any pool accessible in seconds. It provides a 136 kg lifting capacity and a 240° turning radius for safe transfers away from pool edge. It is truly the easiest way to get everyone into the water.

	Code	Standard Packaging	Standard Weight kg	Standard Volume m ³
Chair PAL	49901	1	401.5	-

Technical Features:

Height	211 cm
Base Height	60 cm
Base Length	89 cm
Total Weight	385 kg
Overall length:	
Extended	264 cm
Storage position	140 cm
Power	24 V DC
Battery life	30 cycles (approx.)
Lifting capacity	136 kg

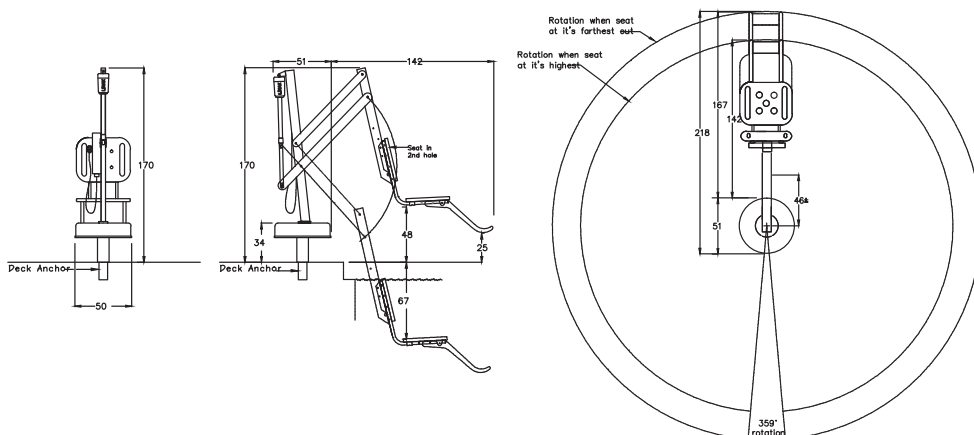


Splash semi-portable lifting system for swimming facilities



Chair fixture in the swimming beach for the disabled. For your installation requires an anchor to the ground. Your recargabable 24 V battery powers a metal actuator, ensuring that the team is always ready for your use. Durability of 30 cycles once loaded. Remote Control Waterproof. Splash is equipped with a structure of waterproof materials to prevent corrosion, armrests and footrest. The load capacity of 136 kg and the leeway of 359° makes it one of the most practical solution for a handicapped access to the pool.

	Code	Standard Packaging	Standard Weight kg	Standard Volume m ³
Splash	53924	1	390	1.789



NOTES:
1. DRAWINGS SHOW KEY VIEWS OF LIFT.
2. INSTALLATION TO BE COMPLETED IN ACCORDANCE WITH MANUFACTURER'S SPECIFICATIONS.
3. DO NOT SCALE DRAWINGS.

ACCESS LADDERS FOR DISABLED PERSONS



Hydraulic chair lift

Frame made of polished Stainless Steel AISI-316 with a central hydraulic mechanism and seat, provided also with a ladder for the assistant. For correct hydraulic operation a minimum 3.5 kg/cm² water supply pressure is required.

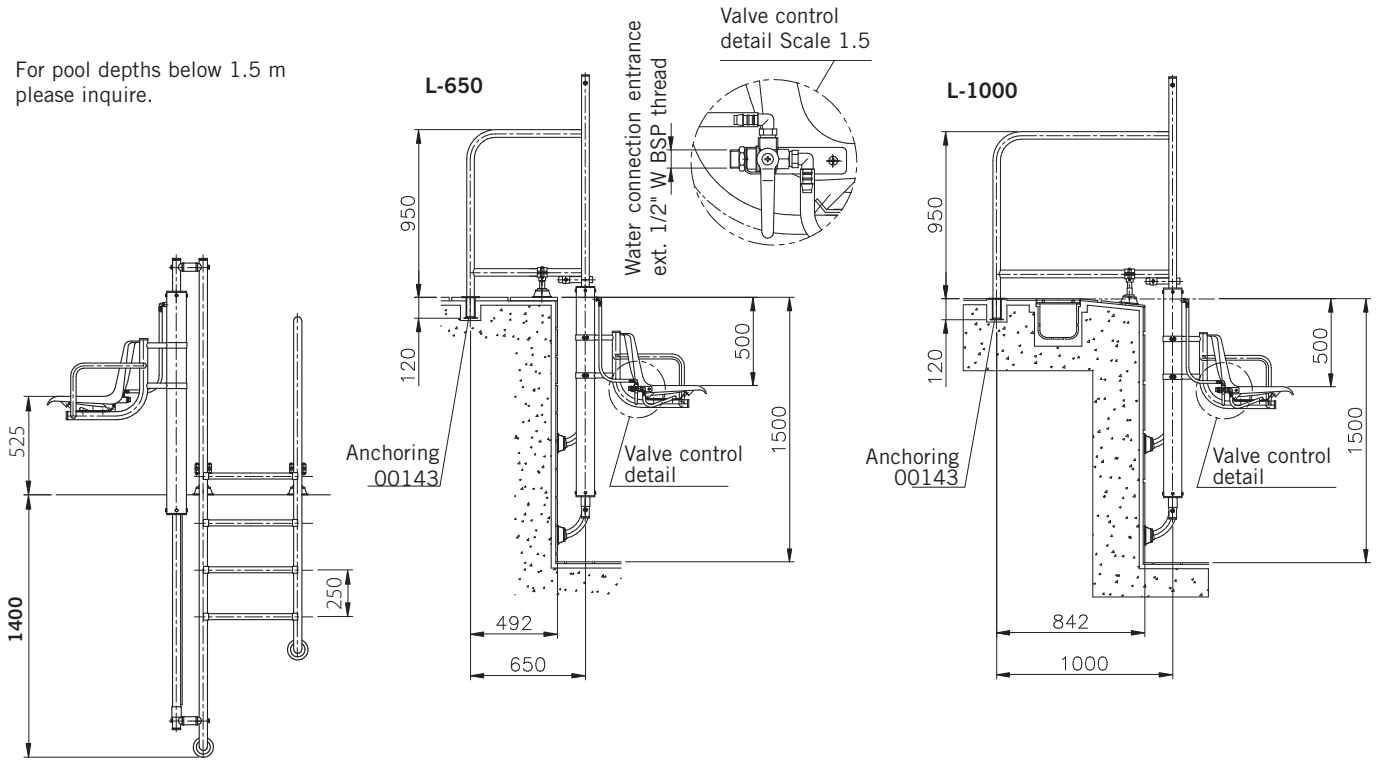
	Code	Standard Packaging	Standard Weight kg	Standard Volume m ³
Rails L-650	28619	1	18.7	0.253
Rails L-1000	28620	1	35.5	0.383
Cylinder	28621	1	13.8	0.042
Accessories	28622	1	18.3	0.178

INSTALLATION:

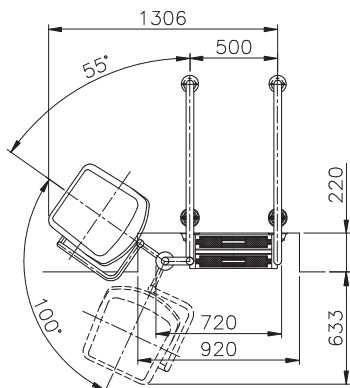
The external fixings are 2 metal anchoring fixtures (supplied with the unit) the 2 front connecting supports are adjustable allowing the height to be changed to adapt to different types of swimming pool surround.



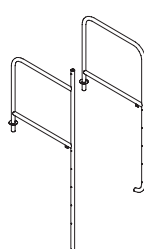


For pool depths below 1.5 m please inquire.



Valid for both models



Valid for both models

Lift	Rails	Cylinder	Components
L-650	28619	28621	28622
L-1000	28620		
			

ACCESS LADDERS FOR DISABLED PERSONS

For easy entry and exit into leisure or hydrotherapy pools for people not requiring an hydraulic lift chair. Easy assembly.



500 mm width model

In polished Stainless Steel AISI-316, Ø 43 mm pipe, with plastic non-slip steps. With anchoring fixtures and earth connection.

	Code	Standard Packaging	Standard Weight kg	Standard Volume m ³
4 steps	00116	1	28.0	0.300
5 steps	00117	1	40.9	0.300
6 steps	00118	1	47.5	0.370
7 steps	00119	1	51.4	0.370
8 steps	00120	1	48.0	1.057

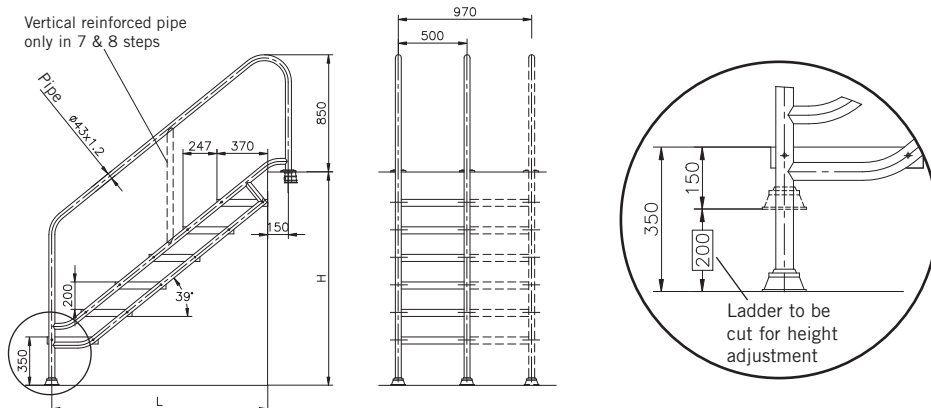


970 mm width model

In polished Stainless Steel AISI-316, Ø 43 mm pipe, with plastic non-slip steps. With anchoring fixtures and earth connection.

	Code	Standard Packaging	Standard Weight kg	Standard Volume m ³
4 steps	00116 + 4 Kit 28615	1	-	-
5 steps	00117 + 5 Kit 28615	1	-	-
6 steps	00118 + 6 Kit 28615	1	-	-
7 steps	00119 + 7 Kit 28615	1	-	-
8 steps	00120 + 8 Kit 28615	1	-	-

Modelo 500	Modelo 970	Steps	H	L
00116	00116 + 4 x. KIT 28615	4	950 a 1150	1075
00117	00117 + 5 x. KIT 28615	5	1150 a 1350	1325
00118	00118 + 6 x. KIT 28615	6	1350 a 1550	1570
00119	00119 + 7 x. KIT 28615	7	1550 a 1750	1820
00120	00120 + 8 x. KIT 28615	8	1750 a 1950	2065



Example:

For a 970 mm ladder with 7 steps, please order:

- 1 **00119**
- 7 **28615** (1 Kit per step)

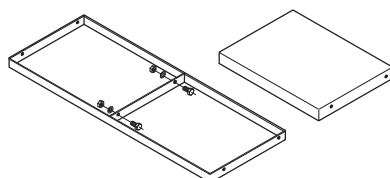


Step Kit for transforming a ladder from width 500 to 970 mm

To convert a ladder from 500 mm to 970 mm. One "Step Kit" will be necessary for each of the steps of the ladder. In polished AISI-316 Stainless Steel, with plastic step with non-slip surface.



Code	Standard Packaging	Standard Weight kg	Standard Volume m ³
28615	1	5.9	0.027



POOL ACCESS - ACCESSORIES



Anchor with locking bolts



In polished Stainless Steel AISI-316. For Ø 43 mm pipe.

Code	Standard Packaging	Standard Weight kg	Standard Volume m ³
00143	2	1.2	0.003



Ladder foot pad



Made in plastic, angle can be adjusted by rotating the eye ball socket.

For Ø 43 mm pipe
For Ø 28 mm pipe

Code	Standard Packaging	Standard Weight kg	Standard Volume m ³
00045	50	12.6	0.03
00046	50	14.0	0.03

GRAB RAILS



Handrails in Stainless Steel



In polished S. S. AISI-316. Ø 43 mm pipe. **With fixing flanges** (Supplied with gaskets, fixing plugs, and screws).

0.5 m
1 m
2 m
2.5 m

Code	Standard Packaging	Standard Weight kg	Standard Volume m ³
00051	2	2.8	0.02
00052	2	4.3	0.04
00053	2	7.9	0.09
00054	2	9.5	0.11



Tee bar



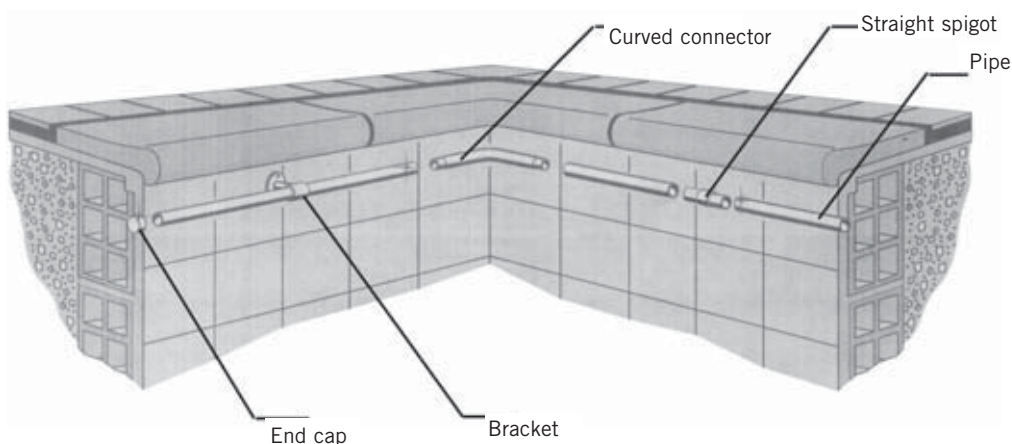
In polished S. S. AISI-316. Ø 43 mm pipe.

With fixing plates (Supplied with gaskets, fixing plugs, and screws)

Code	Standard Packaging	Standard Weight kg	Standard Volume m ³
00056	1	2.09	0.01

HANDRAILS

We also supply pipes and items needed to install grab rails or other decorative features around the edge of the pool.



Straight handrails

In polished Stainless Steel AISI-316. Handrail length: 1 m. Length must be specified when placing order.

	Code	Standard Packaging	Standard Weight kg	Standard Volume m ³
Ø 43 mm tubing with sealed ends	05545	1	1.5	0.002
Ø 43 mm tubing with open ends	19946	1	1.3	0.002
Ø 43 mm tubing with 1 sealed end and the other open	20092	1	1.3	0.002



Straight connector

In polished Stainless Steel AISI-316. For joining Ø 43 mm pipe.

	Code	Standard Packaging	Standard Weight kg	Standard Volume m ³
	09452	1	0.32	0.001



Curved connector

In polished Stainless Steel AISI-316. For joining Ø 43 mm pipe.

	Code	Standard Packaging	Standard Weight kg	Standard Volume m ³
	11286	1	0.3	0.001



End caps

In polished Stainless Steel AISI-316. For Ø 43 mm pipe end.

	Code	Standard Packaging	Standard Weight kg	Standard Volume m ³
	08014	1	0.1	0.001



HANDRAIL BRACKETS

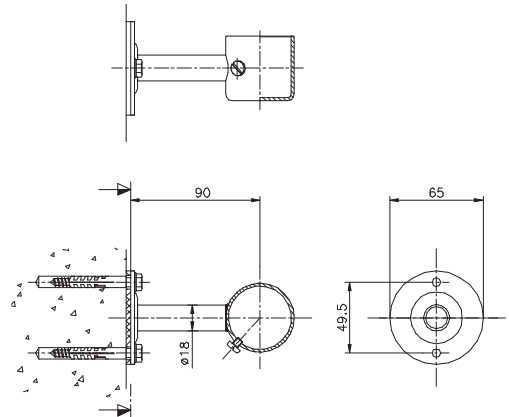


One side closed bracket

For \varnothing 43 mm pipe. In polished S.S. AISI-316. Supplied with gaskets, rawl plugs and screws.



Code	Standard Packaging	Standard Weight kg	Standard Volume m ³
07789	2	0.6	0.002

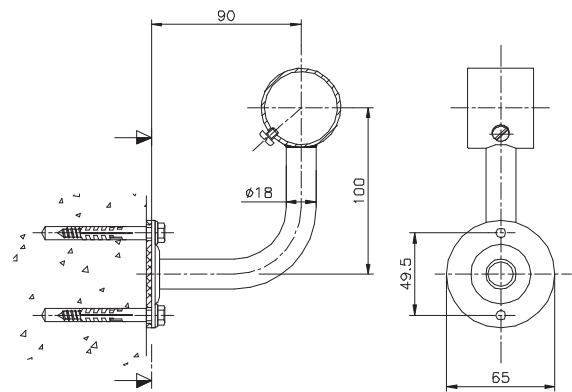


90° Angle handrail support

For \varnothing 43 mm pipe. In polished S.S. AISI-316. Supplied with gaskets, rawl plugs and screws.



Code	Standard Packaging	Standard Weight kg	Standard Volume m ³
11143	1	1.17	0.002



Fixing plate kit for liner pools

In S.S. AISI-316.



Code	Standard Packaging	Standard Weight kg	Standard Volume m ³
26172	1	0.3	0.002

HANDRAIL BRACKETS

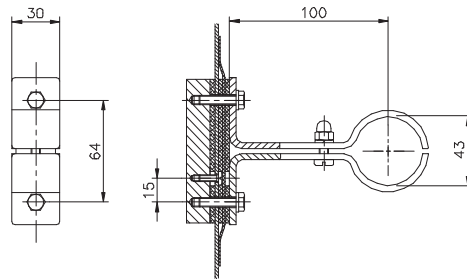
Split bracket

For \varnothing 43 mm pipe. In polished S.S. AISI-316. Supplied with rawl plugs and screws (concrete pool) & with gaskets and screws (liner pool).

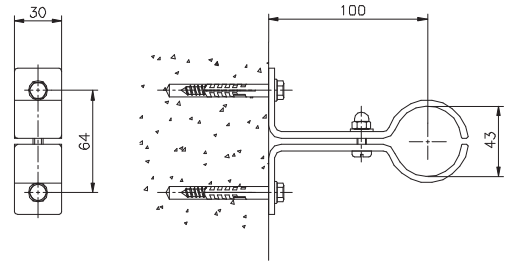


	Code	Standard Packaging	Standard Weight kg	Standard Volume m ³
Concrete pool	25342	2	0.72	0.002
Liner pool	28618	2	1.40	0.002

28618



25342

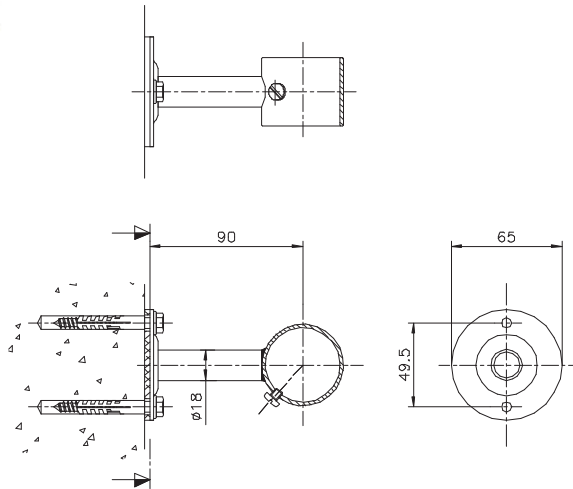


Straight bracket with base plate

For \varnothing 43 mm pipe. In polished S.S. AISI-316. Supplied with gaskets, rawl plugs, and screws.



Code	Standard Packaging	Standard Weight kg	Standard Volume m ³
08013	2	0.5	0.002



LIFE SAVING ACCESSORIES



Lifebuoy holder

In Stainless Steel AISI-304. For use with telescopic handles 01361, 01362, 01363, & 15838.



Code	Standard Packaging	Standard Weight kg	Standard Volume m ³
01368	1	1.46	0.03



Lifebuoy

Made of Styropor covered with orange canvas, outer 700 mm.



Code	Standard Packaging	Standard Weight kg	Standard Volume m ³
01369	6	18.0	0.330



Lifebuoy holder

In Stainless Steel AISI-304. Designed to be hung on wall or fitted on to a lifebelt holder post (code 01371). Supplied with anchor plugs and screws.



Code	Standard Packaging	Standard Weight kg	Standard Volume m ³
01370	1	1.16	0.004



Lifebelt holder post

In AISI-304 Stainless Steel, Ø 43 mm. Base plate with 3 holes. Supplied with gaskets, anchor plugs and screws.



Code	Standard Packaging	Standard Weight kg	Standard Volume m ³
01371	1	3.0	0.01

LIFEGUARD CHAIRS



Lifeguard chair

Made in Stainless Steel AISI-304, Ø 43 mm pipe. With dismantlable base plate. Steps, platform, chair, made of plastic. Parasol holder and lifebuoy bracket included. Optional base bar with wheels.



	Code	Standard Packaging	Standard Weight kg	Standard Volume m ³
Lifeguard chair	00109	1	55.6	0.92
Wheeled base for lifeguard chair	08730	1	8.9	0.04



SIDE

FRONT

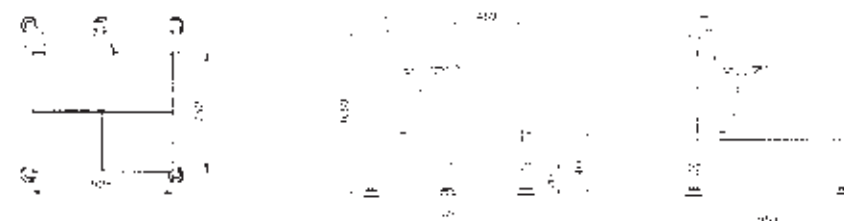


H-400 lifeguard chair with quick access

Made in Stainless Steel AISI-304, Ø 43 mm pipe. Steps, platform, chair made of plastic. Large platform and 90° rotating seat to increase the range of vision. Ideal for children's pools, water parks or shallow areas of public pools. Includes parasol holder.



	Code	Standard Packaging	Standard Weight kg	Standard Volume m ³
H-400 lifeguard chair with quick access	15673	1	39.6	0.66



TOP

FRONT

SIDE



Multipurpose H-1000 lifeguard chair

Made in Stainless Steel AISI-304, Ø 43 mm pipe. Steps, platform, chair made of plastic. Large platform and 90° rotating seat to increase the range of vision. Includes parasol holder.



	Code	Standard Packaging	Standard Weight kg	Standard Volume m ³
Multipurpose H-1000 lifeguard chair	15674	1	65.0	1.64



TOP

FRONT

SIDE

DIVING & SPRINGBOARDS

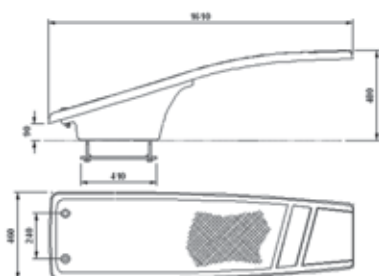
Flexible springboard Dynamic



Made of Polyester and fibreglass resistant to UV exposure and adverse weather conditions. Non-slip surface covering entire length of board. Supplied with anchoring fixtures.

Length 1.61 m Width 0.46 m

Code	Standard Packaging	Standard Weight kg	Standard Volume m ³
21392	1	22.0	0.335



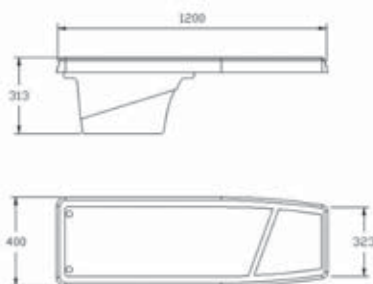
Diving board 1200 Dynamic



Made of Polyester and fibreglass resistant to UV exposure and adverse weather conditions. Non-slip surface covering entire length of board. Supplied with anchoring fixtures.

Length 1.20 m Width 0.40 m

Code	Standard Packaging	Standard Weight kg	Standard Volume m ³
20090	1	20.0	0.325



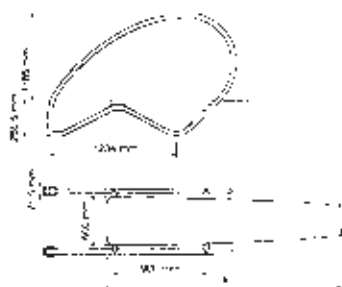
Diving board Dynamic



Board made of Polyester and fibreglass, with non-slip surface. Grab rails and supports made of Stainless Steel with matt finish. Supplied with anchoring fixtures.

Length 2 m Width 0.60 m
Length 2.30 m Width 0.60 m

Code	Standard Packaging	Standard Weight kg	Standard Volume m ³
23199	1	50.0	1.585
23200	1	52.0	1.585



Code	A (m)
23199	2
23200	2.3

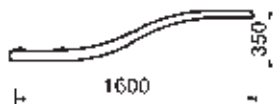
DIVING & SPRINGBOARDS

Dolphin model



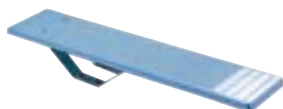
Flexible Polyester and fibreglass springboard in light blue. Supplied with anchoring fixtures.

Length 1.6 m. Width 0.35 m



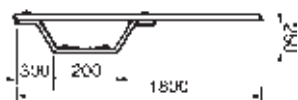
Code	Standard Packaging	Standard Weight kg	Standard Volume m ³
00076	1	123.0	0.138

Ballesta model

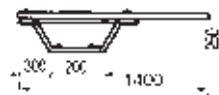


Light blue Polyester and fibreglass springboard. Springboard bracket made of galvanized Steel. Supplied with anchoring fixtures.

Length 1.8 m Height 0.25 m Width 0.4 m
Length 1.4 m Height 0.25 m Width 0.4 m



Code 00077



Code 00078

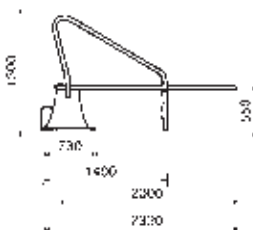
Code	Standard Packaging	Standard Weight kg	Standard Volume m ³
00077	1	27.0	0.084
00078	1	25.0	0.072

Elevado model

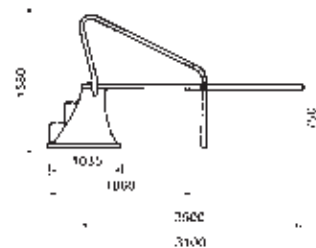


Base laminated in ivory-coloured Polyester and fibreglass, with light blue board. With 2 handrails in Stainless Steel. Non-slip board and steps. Supplied with anchoring fixtures.

Length 2 m Height 0.55 m Width 0.4 m
Length 2.5 m Height 0.75 m Width 0.46 m



Code 00068



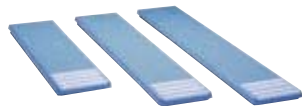
Code 00069

Code	Standard Packaging	Standard Weight kg	Standard Volume m ³
00068	1	38.0	0.850
00069	1	68.0	1.380

DIVING & SPRINGBOARDS



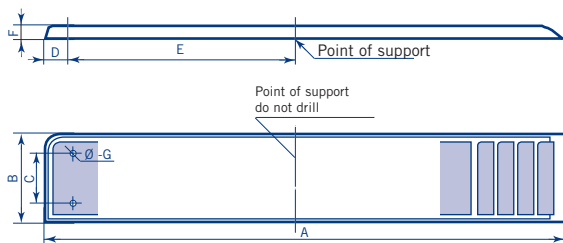
Diving boards



Polyester and fibreglass boards with new patented non-slip surface in blue. Anchoring fixtures are not supplied.

- Width 0.40 m**
- Length 1.4 m
- Length 1.8 m
- Length 2.0 m
- Length 2.3 m
- Width 0.46 m**
- Length 2.5 m
- Length 3.2 m

Code	Standard Packaging	Standard Weight kg	Standard Volume m ³
00060	1	-	-
00061	1	16.0	0.046
00062	1	18.0	0.050
00063	1	22.0	0.060
00064	1	31.0	0.080
00065	1	46.0	0.100



Code	Board	A	B	C	D	E	F	Ø	G
00061	1.80 mts.	1800	390	247	80	910	30	16	M-14
00062	2.00 mts.	2000	390	247	80	940	30	16	M-14
00063	2.30 mts.	2300	390	247	80	1150	30	16	M-14
00064	2.50 mts.	2500	465	290	125	1225	30	-	min. M-16
00065	3.20 mts.	3200	465		125	1540	30	-	min. M-16



Diving board supports



In polished Stainless Steel AISI-304, Ø 43 mm tube. With platform fixing bolts.

- For boards up to 2.30 m in length
- For boards from 2.5 to 3.2 m in length

Code	Standard Packaging	Standard Weight kg	Standard Volume m ³
14586	1	8.0	0.040
V-079/06	1	-	-

SLIDES

Pranaslide model

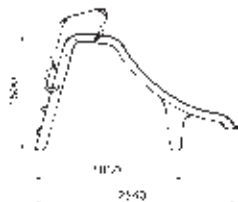


Light blue polyester and fibreglass slide. Grab rails in white painted Aluminium. Fitted with water supply connection to ease sliding. Supplied with anchoring fixtures.

- Height 1.50 m
- Height 1.80 m

Code	Standard Packaging	Standard Weight kg	Standard Volume m ³
00085	1	62.0	1.214
00086	1	70.0	1.368

Code 00085



Code 00086



SLIDES

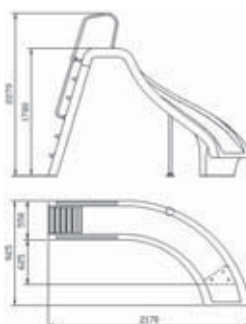
Curved model



Light blue Polyester and fibreglass slide. Grab rails in white painted aluminium. Fitted with water supply connection to ease sliding. Supplied with anchoring fixtures.

	Code	Standard Packaging	Standard Weight kg	Standard Volume m ³
Right curve, height 1.78 m	00088	1	83.0	2.913
Left curve, height 1.78 m	00089	1	83.0	2.913

00088 RIGHT

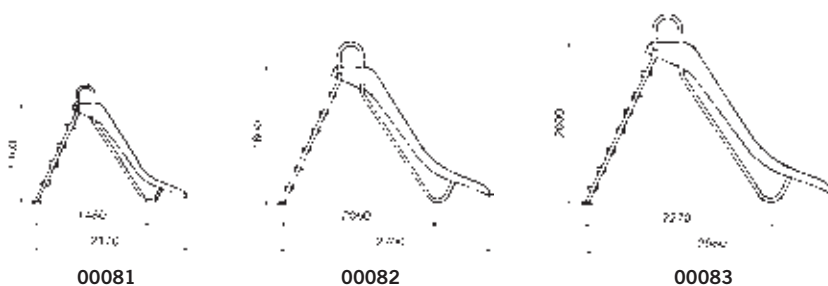


Straight model



Light blue Polyester and fibreglass slide. Steps in Polypropylene and fibreglass. Polished Stainless Steel handrails. Fitted with water supply connection to ease sliding. Supplied with anchoring fixtures.

	Code	Standard Packaging	Standard Weight kg	Standard Volume m ³
Height 1.30 m	00081	1	31.0	0.550
Height 1.80 m	00082	1	38.0	0.850
Height 2.00 m	00083	1	44.0	0.750

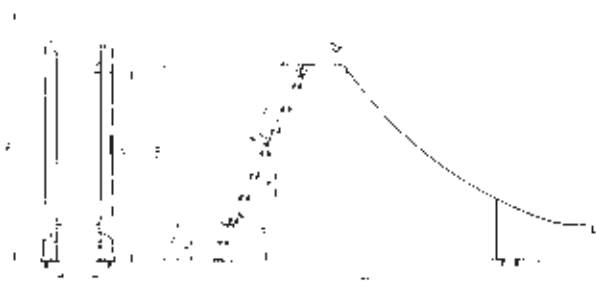


Slides



White coloured slide made of polyester, reinforced with fibreglass. Steps in Polypropylene and fibreglass. Handrails in Stainless Steel. Supplied with water jet. Height 2 m. Fitted with anchoring fixtures.

	Code	Standard Packaging	Standard Weight kg	Standard Volume m ³
Straight	18543	1	-	3.000
Left curve	18545	1	-	3.000



SLIDES

Model Typhoon

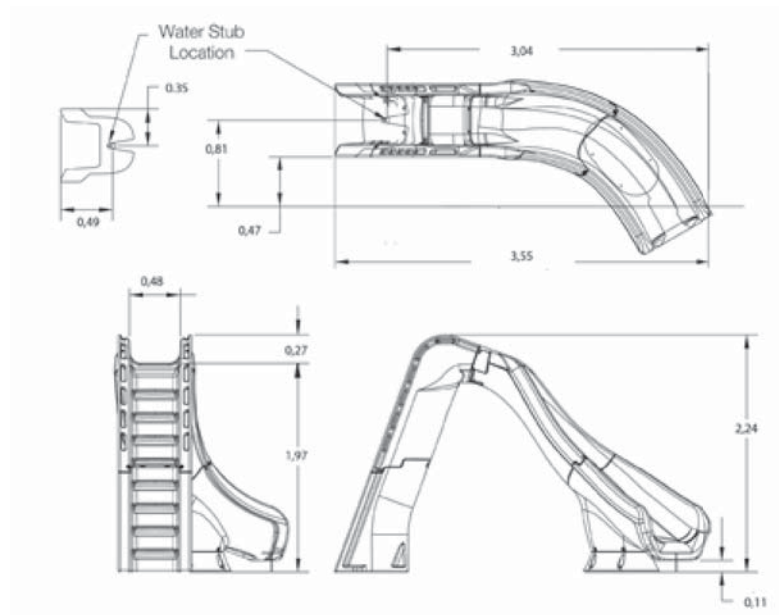
New

Rotomolded slides with handrails and an enclosed non-slip ladder that ensure a safety use. It is compatible with Salt Chlorinators system as it is indicated with a label " Salt Pool Approved". It is fitted with water inlet to make easy the scrolling down. Height of 2,10 metres. Colours available: Sandstone.



Code	Standard Packaging	Standard Weight kg	Standard Volume m ³
52253	1	61	-

Colour available:



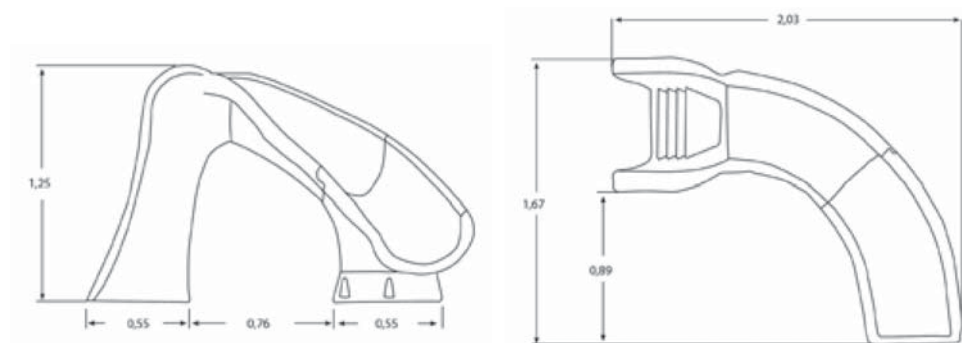
Model Cyclone

New

Rotomolded slides with handrails and an enclosed non-slip ladder that ensure a safety use. It is compatible with Salt Chlorinators system as it is indicated with a label " Salt Pool Approved". It is fitted with water inlet to make easy the scrolling down. Height of 1,20 metres. Colours available: Taupe.

Code	Standard Packaging	Standard Weight kg	Standard Volume m ³
52254	1	115	-

Colour available:





ASTRALPOOL SIGNATURE SHOWERS

Pluvium shower

Contemporary shower with an elegant and modern look due to the minimalist design and high quality materials used. Designed to offer the greatest sense of relaxation and well-being. Highly durable Ipe wood combined with high resistance glossy stainless steel. Rainfall System for a relaxing effect. Adjustable shower head for greater user comfort and enhanced use of water. Mixer valve for hot and cold water control Shower head with anti-limescale system that provides greater durability. Optional shower tray for a perfect finish.

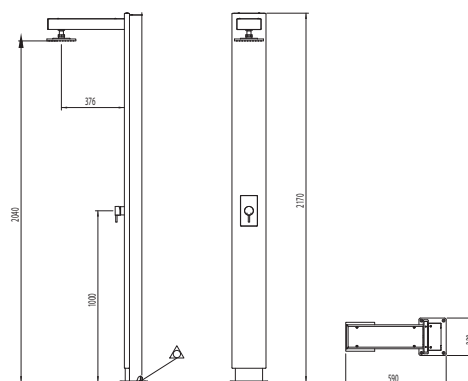
	Code	Standard Packaging	Standard Weight kg	Standard Volume m ³
Pluvium shower with shower tray	43583	1	38	0.169
Pluvium shower without shower tray	43432	1	27	0.136



SHOWER HEAD



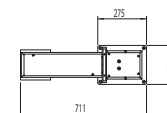
MIXER VALVE



Pluvium Solar shower without shower tray

Made with high quality materials such as wood IPE and satin finish AISI 316 Stainless steel, which all give a longer life and greater resistance to weathering and corrosion. The aluminum water tank has a capacity for 30 litres of water. Shower head with swiveling Calc system that increases user comfort. A single lever controls hot and cold water. Flow rate limiter which reduces 40% water consumption in the shower flow pressure above 3 bars.

	Code	Standard Packaging	Standard Weight kg	Standard Volume m ³
Pluvium solar shower without shower tray	43435	1	37	0.225



Pluvium shower tray

Shower tray for the Pluvium shower in wood IPE and satin finish AISI 316 stainless steel. its minimalist and compact design provides an elegant and modern image for the pool surround.

	Code	Standard Packaging	Standard Weight kg	Standard Volume m ³
Pluvium shower tray	43434	1	11	0.028



ASTRALPOOL SIGNATURE SHOWERS

POOL SURROUND EQUIPMENT

Iguazu shower

New

Satin Stainless Steel AISI-316 shower that incorporates a solid surface face plate. Chromed brass anti-limer shower-head and 2 bruminator spray jets controlled by a 2 way diverter valve. Water-flow and temperature are regulated by a mixer valve.

Code	Standard Packaging	Standard Weight kg	Standard Volume m ³
53874	1	27	0.163



SHOWER HEAD



MIXER VALVE



FRONTAL JETS



SHOWERS



Niagara solar shower

New

Polished Stainless Steel shower AISI-304, which heats up by means of a 35 litre aluminum accumulator tank with a single cold water tap, thus taking advantage of the solar energy. An antical squared head-shower is incorporated.

	Code	Standard Packaging	Standard Weight kg	Standard Volume m ³
Niagara solar shower	53873	1	25	0.26



SHOWER HEAD



VALVE



Niagara shower

New

Polished Stainless Steel AISI-304 shower with 1 square shower-head (150 m x 150 m) and 1 valve.

	Code	Standard Packaging	Standard Weight kg	Standard Volume m ³
Niagara shower	53872	1	22	0.125



SHOWER HEAD



VALVE

SHOWERS

Angel shower with footwash

New

Polished Stainless Steel AISI-304 shower (diameter 43 mm) with 1 chromed and anti-lime shower-head, 1 valve and footwash tap.



	Code	Standard Packaging	Standard Weight kg	Standard Volume m ³
Angel shower with footwash	52718	1	5.6	0.43



SHOWER HEAD



VALVE



FOOTWASH

Angel shower

New

Polished Stainless Steel AISI-304 shower (diameter 43 mm) with 1 chromed and anti-lime shower-head and 1 valve.



	Code	Standard Packaging	Standard Weight kg	Standard Volume m ³
Angel shower	52717	1	5.6	0.43



SHOWER HEAD



VALVE

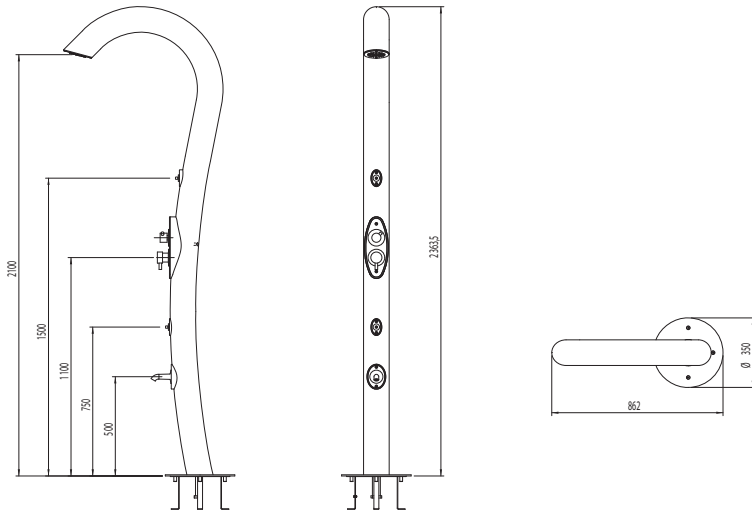
SHOWERS

Misty Art shower



Shower in a original design made of satin finish stainless steel AISI 316. It incorporates an anti-scale spray, two fogging nozzles, 1 mixing valve and a footbath tap.

Code	Standard Packaging	Standard Weight kg	Standard Volume m ³
45867	1	50	1.325



Solar shower with a flexible 20 litre tank



A shower in painted steel, which with a single cold water tap, heats up by means of a flexible 20 litre accumulator tank thus taking advantage of the solar energy. With 2 valves (cold/hot) and a chromed brass nozzle. Attaches to the ground by means of anchoring screws and plugs.

Code	Standard Packaging	Standard Weight kg	Standard Volume m ³
34312	1	15.4	0.089

Height (shower head to ground): 2.10 m



SHOWER HEAD



KNOB

SHOWERS

ECO solar shower with 30 litre tank



Shower in polished Stainless Steel AISI-304, which with a single cold water tap, heats up by means of a 30 litre aluminium accumulator tank thus taking advantage of the solar energy. Adjustable massage shower nozzle with 3 functions and an anti-lime membrane. A water flow limiter device is incorporated, thus reducing consumption by approximately 50%. With 1 mixing valve (cold/hot). Quick fixing water connection. Attaches to the ground by means of anchoring screws and plugs.

	Code	Standard Packaging	Standard Weight kg	Standard Volume m ³
Height (shower head to ground): 2 m	36848	1	12.0	0.16



SHOWER HEAD



NOB

Solar shower



In polished Stainless Steel AISI-304. With a single water inlet. With a single cold water tap, it heats up by means of a 50 litre aluminium accumulator tank thus taking advantage of the solar energy. Has 2 mixer taps and swivel shower head. Quick fixing water connection. Fixed to ground with screws and plugs.

	Code	Standard Packaging	Standard Weight kg	Standard Volume m ³
50 L. Height (shower head to ground): 2.10 m	33828	1	21.3	0.193



SHOWER HEAD



NOB

SHOWERS

Shower with 1 shower head and 1 automatic timer valve

In Stainless Steel AISI-304, Ø 63 mm pipe. 27333 anchoring fixture included.

	Code	Standard Packaging	Standard Weight kg	Standard Volume m ³
Height (shower head to ground): 2.00 m	00095	1	7.2	0.05



SHOWER HEAD



AUTOMATIC
TIMER VALVE



Shower with 1 shower head, footwash and automatic timer valve

In Stainless Steel AISI-304, Ø 63 mm pipe. 27333 anchoring fixture included.

	Code	Standard Packaging	Standard Weight kg	Standard Volume m ³
Height (shower head to ground): 2 m	15841	1	7.3	0.05



SHOWER HEAD



AUTOMATIC
TIMER VALVE



FOOTWASH



Shower with twinheads and 2 valves

In Stainless Steel AISI-304, Ø 63 mm pipe. 27333 anchoring fixture included.

	Code	Standard Packaging	Standard Weight kg	Standard Volume m ³
Height (shower head to ground): 2 m	00098	1	13.9	0.25



SHOWER HEAD



MIXER VALVES



SHOWERS



Shower with twinheads and 2 timer press knobs

In Stainless Steel AISI-304, Ø 63 mm pipe. 27333 anchoring fixture included.

	Code	Standard Packaging	Standard Weight kg	Standard Volume m ³
Height (shower head to ground): 2.20 m	19947	1	14.91	0.25



SHOWER HEAD



**AUTOMATIC
TIMER VALVE**



Shower with twinheads and 2 timer press knobs

Designed for public pools. In Stainless Steel AISI-316. Ø 129 mm pipe. Anchoring fixtures included.

	Code	Standard Packaging	Standard Weight kg	Standard Volume m ³
Height (shower head to ground): 2.35 m	08728	1	42.8	0.94



SHOWER HEAD



**AUTOMATIC
TIMER VALVE**



Shower with 3 shower heads and 3 valves

In Stainless Steel AISI-304, Ø 84 mm pipe. Anchoring fixtures included.

	Code	Standard Packaging	Standard Weight kg	Standard Volume m ³
Height (shower head to ground): 2 m	00094	1	23.82	0.027



SHOWER HEADS



VALVE KNOB

SHOWERS



Shower with 3 shower heads and 3 automatic timer valves

In Stainless Steel AISI-304, Ø 129 mm pipe. Anchoring fixtures included. Designed for public pools.

	Code	Standard Packaging	Standard Weight kg	Standard Volume m ³
Height (shower head to ground): 2.10 m	00097	1	29.39	0.27



SHOWER HEADS



AUTOMATIC
TIMER VALVE



Shower with detachable shower head and footwash

In Stainless Steel AISI-304, Ø 43 mm pipe. 00107 anchoring fixtures included.

	Code	Standard Packaging	Standard Weight kg	Standard Volume m ³
Height 1.05 m	00099	1	4.63	0.02



TELEPHONE TYPE
SHOWER



FOOTWASH

SHOWERS



Shower anchoring fixtures

With fixing device and earth connection. Allows easy dismantling of shower.



Shower anchoring Ø 43 mm

In PVC for models:
00091, 00092 and 00099

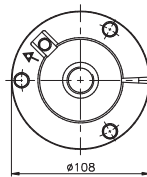
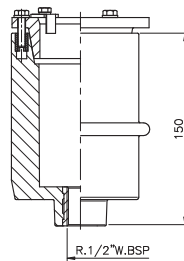
Shower anchoring Ø 63 mm

In PVC for models:
00095, 00098, 19947 and 15841

Code	Standard Packaging	Standard Weight kg	Standard Volume m ³
00107	1	0.48	0.003
27333	1	1.0	0.003

27333

00107



Stainless Steel polish cleaner

Decalcifer and degreaser suitable for cleaning all Stainless Steel surfaces.



1 Liter
5 Liters

Code	Standard Packaging	Standard Weight kg	Standard Volume m ³
18713	12 u.	13.8	0.023
16630	2 u.	22.0	0.034

SHOWERS - SHOWER TUNNELS



Shower tunnel with 1 arch

For public pool entry. In polished Stainless Steel AISI-304 and Ø 28 mm tube. Rawl plugs and screws included.

	Code	Standard Packaging	Standard Weight kg	Standard Volume m ³
1 arch with 3 shower heads. Width: 1.2 m	00100	1	9.6	0.10
1 arch with 5 shower heads. Width: 2 m	19948	1	10.4	0.14



SHOWER HEAD



Control column

In Stainless Steel AISI-304. Controls automatically the water flow electrically. Includes 220V/24V transformer, photoelectric timer cell, and electrovalve. Rawl plugs and screws included.

	Code	Standard Packaging	Standard Weight kg	Standard Volume m ³
	00102	1	7.0	0.02



OUTDOOR FOOTWASH



Footwash for public use

Polyester resin and fibreglass base plate. 2 x 1 m with gel coat finish.

Features:

- Drain grille 3/8"
- Overflow and water inlet connection 3/8" .
- Non-slip surface.
- Angled bottom plate to prevent water build up.

	Code	Standard Packaging	Standard Weight kg	Standard Volume m ³
Blue colour	21255	1	4.0	0.91
White colour	21255CLO7	1	4.0	0.91



Disinfectant dispenser

Designed to be installed to the footwash, (can be screwed or glued). To place a 200 gr Chlorine tablet to disinfect the water. Includes locking screws, to prevent opening as well as assuring safety to the user.

	Code	Standard Packaging	Standard Weight kg	Standard Volume m ³
	25356	-	-	-



SHOWERS - SHOWER TRAYS

Relax model shower tray



Dimensions 80 cm x 90 cm. Large size drain grille in Stainless Steel positioned away from standing area. Tray in polyester and fibreglass with non-slip pattern and gel-coat finish.

With anchoring fixture Ø 43 mm
For showers 00091, 00092 and 00099

Code	Standard Packaging	Standard Weight kg	Standard Volume m ³
20066	1	9.0	0.143

Classic model shower tray



Dimensions 100 cm x 80 cm. Large size drain grille in Stainless Steel. Tray in Polyester and fibreglass with non-slip pattern and gel-coat finish.

With anchoring fixture Ø 43 mm
For showers 00091, 00092 and 00099

Code	Standard Packaging	Standard Weight kg	Standard Volume m ³
19723	1	10.0	0.143

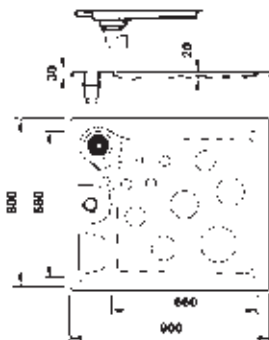
Shower tray



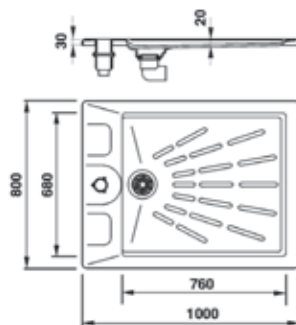
Dimensions 80 cm x 80 cm. with adjustable bottom drain. Drain grille Ø 130 mm, connection Ø 50 mm. Tray in Polyester and fibreglass.

With anchoring fixture Ø 43 mm
For showers 00091, 00092 and 00099

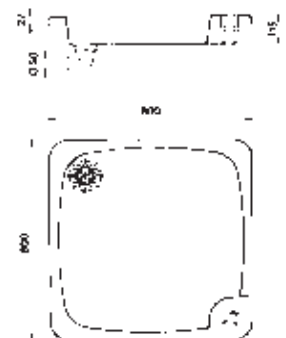
Code	Standard Packaging	Standard Weight kg	Standard Volume m ³
00103	1	11.0	0.120



20066



19723



00103

OVERFLOW GRATINGS

GENERAL NOTE FOR ALL MODELS

Made of stabilised Polypropylene against U.V. rays. Standard white colour. Please enquire for other colours.

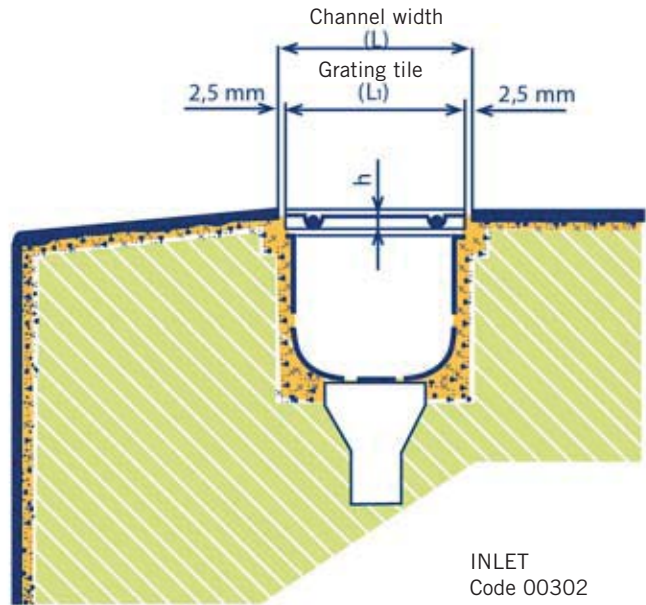
These are supplied as modules of gratings for straight or curved runs (outer radius of 1 or 2 metres). The gratings click together with a male-female pressure fit permitting a certain amount of flexibility in assembly which absorbs any expansion which may occur when the tiles are exposed to heat fluctuations.

For all types of gratings it is necessary to construct the channel 5 mm wider than the grating itself, to allow for ease of removal and for expansion.

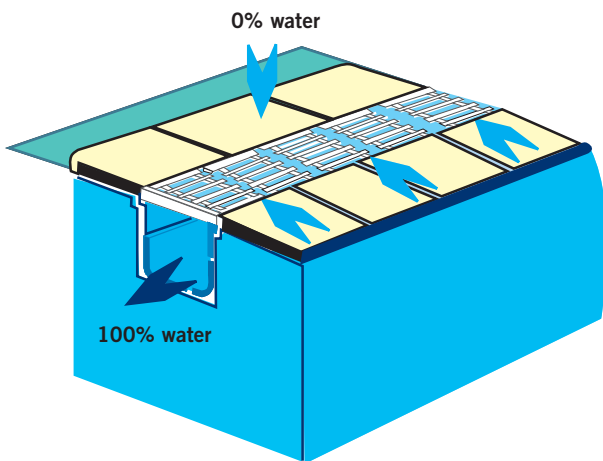
Channel width	Grating width
200.....	195
250.....	245
300.....	295
350.....	345

Height of grating (h) varies according to model.

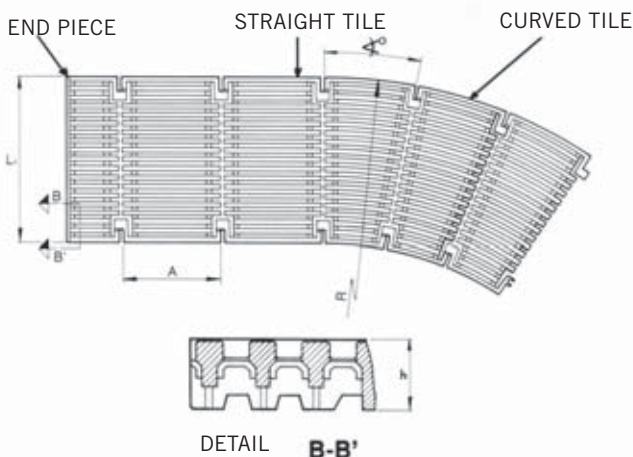
- Longitudinal model h = 24 mm
- Transversal model h = 22 mm and h = 35 mm



LONGITUDINAL MODEL



The longitudinal design of the tiles ensures that any excess water from the pool is not allowed to overflow onto the pool deck, maintaining the area dry.



	Model	L	L1	h	A	↗r.1m.	↘r.2m.
STRAIGHT TILE	05581	200	195	24	206	-	-
	05582	250	245	24	206	-	-
	05583	300	295	24	206	-	-
	05584	350	345	24	206	-	-
END PIECE	06420	200	195	24	-	-	-
	06421	250	245	24	-	-	-
	06422	300	295	24	-	-	-
	06423	350	345	24	-	-	-

OVERFLOW GRATINGS



Parallel grating tile

Made of PP, stabilised against UV rays. Gratings are locked together with male-female hooks (5 units = 1,024 meters) Their flexibility allows them to bend up to a 5 m radius.

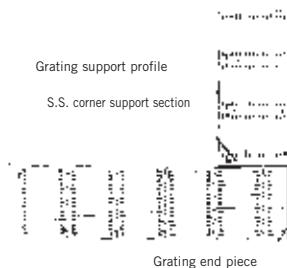
	Code	Standard Packaging	Standard Weight kg	Standard Volume m ³
Height 24 mm, width 195 mm	05581	45	16.2	0.080
Height 24 mm, width 245 mm	05582	29	13.4	0.080
Height 24 mm, width 295 mm	05583	28	15.6	0.080
Height 24 mm, width 345 mm	05584	19	13.2	0.080



End piece kit for parallel grating

AISI-304 slate, made of PP with chemical stabilizers to protect from UV rays. Made to adapt to the last tile in case it cutting is needed.

	Code	Standard Packaging	Standard Weight kg	Standard Volume m ³
Height 24 mm, width 195 mm	16064	1	0.380	0.001
Height 24 mm, width 245 mm	16065	1	0.432	0.002
Height 24 mm, width 295 mm	16066	1	0.525	0.002
Height 24 mm, width 345 mm	16067	1	0.655	0.002



Perimeter grating

Range of overflow grating for swimming pools. Made in homopolymer Polypropylene, with additives to protect against UV rays. Available in 500 mm long modules with male-female hooks for easy and fast assembly.

	Code	Standard Packaging	Standard Weight kg	Standard Volume m ³
Longitudinal grating 0.5 m Height 22 mm. Width 195 mm	28664	20	19.9	0.080

OVERFLOW GRATINGS

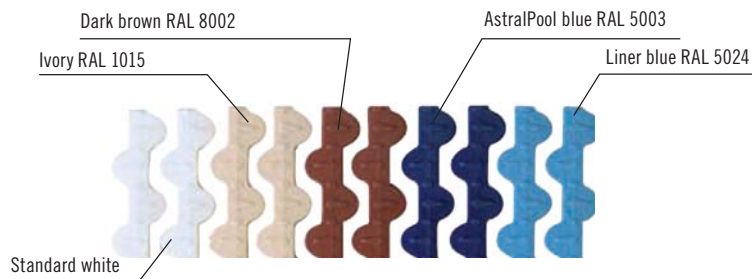


Modular transversal grating for curves

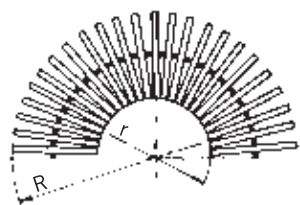
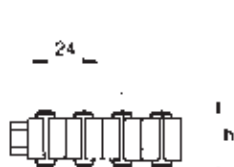


Made of PP stabilised against UV rays. Assembled together by modular fitting. According to EN-13451-1 standard (8 mm). Available in 5 colours. 53 units per metre. **Other grating colours can be supplied on request.** For further information, please contact your AstralPool distributor.

	Code	Standard Packaging	Standard Weight kg	Standard Volume m ³
MODULAR GRATING FOR CURVES				
Height 22 mm, width 195 mm	34190	470	14.1	0.08
Height 22 mm, width 245 mm	34191	320	12.4	0.08
Height 22 mm, width 295 mm	34192	300	15.0	0.08
Height 22 mm, width 335 mm	34193	250	15.0	0.08
MODULAR GRATING FOR CURVES (REVERSIBLE)				
Height 35 mm, width 195 mm	34194	450	16.0	0.08
Height 35 mm, width 245 mm	34195	300	13.7	0.08
Height 35 mm, width 295 mm	34196	290	17.3	0.08
Height 35 mm, width 335 mm	34197	250	17.4	0.08



Colour	Code
White	-
RAL 1015	CL90
RAL 8002	CL109
RAL 5003	CL60
RAL 5024	CL 108



Code	h	Channel Width (L)	Grating Width (L1)	R	r
34190	22	200	195	645	450
34191	22	250	245	825	580
34192	22	300	295	1055	760
34193	22	340	335	1155	820
34194	35	200	195	645	450
34195	35	250	245	825	580
34196	35	300	295	1055	760
34197	35	340	335	1155	820

Measurements in mm



Modular grating for curves

New

Modular grating for curves. PP material with stabilizers to protect against UV rays. Union for setting coupling between modules. According to EN-13451-1 (8 mm). Slip Resistance Class 3 (Rd > 45) according to the UNE-ENV 12633.

	Code	Standard Packaging	Standard Weight kg	Standard Volume m ³
Height 22 mm, width 195 mm	52535	470	14.1	0.08
Height 22 mm, width 245 mm	52536	320	12.4	0.08
Height 22 mm, width 295 mm	52537	300	15.0	0.08
Height 22 mm, width 335 mm	52538	250	15.0	0.08
Height 35 mm, width 195 mm	52539	450	16.0	0.08
Height 35 mm, width 245 mm	52540	300	13.7	0.08
Height 35 mm, width 295 mm	52541	290	17.3	0.08
Height 35 mm, width 335 mm	52542	250	17.4	0.08

OVERFLOW GRATINGS



Modular transversal gratings for curves

Made of PP, stabilised against UV rays. Assembled together by modular fitting (45 units per ml).

MODULAR GRATING FOR CURVES

- Height 22 mm, width 195 mm
- Height 22 mm, width 245 mm
- Height 22 mm, width 295 mm
- Height 22 mm, width 335 mm

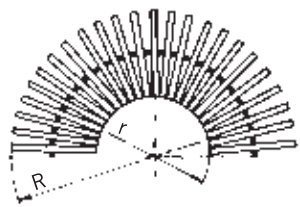
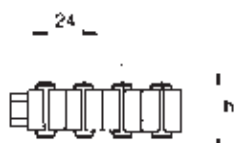
Code	Standard Packaging	Standard Weight kg	Standard Volume m ³
------	--------------------	--------------------	--------------------------------

11107	470	15.8	0.080
11108	320	13.6	0.080
19202	300	18.0	0.080
19203	250	17.0	0.080

MODULAR GRATING FOR CURVES (REVERSIBLE)

- Height 35 mm, width 195 mm
- Height 35 mm, width 245 mm
- Height 35 mm, width 295 mm
- Height 35 mm, width 335 mm

00220	450	16.5	0.080
00221	300	14.3	0.080
00222	290	19.3	0.080
00223	250	18.1	0.080



Code	h	Channel Width (L)	Grating Width (L1)	R	r
11107	22	200	195	445	250
11108	22	250	245	545	300
19202	22	300	295	645	350
19203	22	340	335	785	450
00220	35	200	195	445	250
00221	35	250	245	545	300
00222	35	300	295	645	350
00223	35	340	335	785	450

Measurements in mm.



Transversal grating

Made of PP, stabilised against UV rays. Assembled together by a pass-through cable (49 units per metre).

- Height 22 mm, width 195 mm
- Height 22 mm, width 245 mm

Code	Standard Packaging	Standard Weight kg	Standard Volume m ³
------	--------------------	--------------------	--------------------------------

00212	340	11.9	0.039
00213	305	13.2	0.039



Code	Channel Width (L)	Grating Width (L1)	h
00212	200	195	22
00213	250	245	22



Plasticized steel cable

Ø 2.5 mm. To assemble straight modular gratings.

Code	Standard Packaging	Standard Weight kg	Standard Volume m ³
------	--------------------	--------------------	--------------------------------

00214	1000 m	21.0	0.036
--------------	--------	------	-------



Stainless Steel AISI-316 plasticized cable

Ø 2.5 mm. To assemble straight modular gratings.

Code	Standard Packaging	Standard Weight kg	Standard Volume m ³
------	--------------------	--------------------	--------------------------------

00215	1000 m	21.0	0.036
--------------	--------	------	-------

OVERFLOW GRATINGS



Locking pins for cable



Made of brass.

Code	Standard Packaging	Standard Weight kg	Standard Volume m ³
00216	100	1.5	0.001



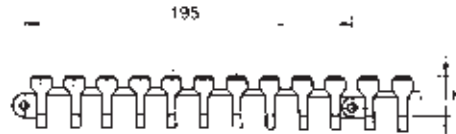
Transversal grating tile



Made of PP, stabilised against UV rays. Tiles are hooked together by male-female hooks. (5 units = 0.975 m).

Height 22 mm, width 245 mm
Height 22 mm, width 295 mm
Height 22 mm, width 335 mm

Code	Standard Packaging	Standard Weight kg	Standard Volume m ³
00217	52	22.8	0.080
00218	45	23.1	0.080
00219	38	22.0	0.080



Code	Channel Width (L)	Grating Width (L1)	h
00217	250	245	22
00218	300	295	22
00219	340	335	22



Grating support profile



Suitable for 22, 24 and 35 mm grating heights. Made of plastic. Supplied in 2 m lengths. Inside measurement 24 mm x 37 mm.

Code	Standard Packaging	Standard Weight kg	Standard Volume m ³
00224	25	13.2	0.033



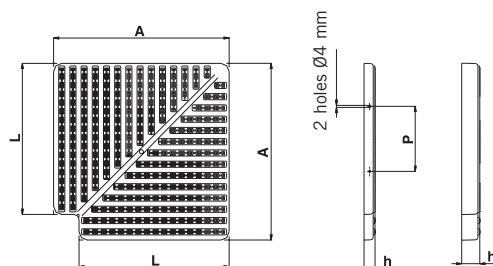
90° Corner tiles for overflow channels



Made of injected white copolymer Polypropylene.

Height 22 mm, width 195 mm
Height 22 mm, width 245 mm
Height 22 mm, width 295 mm
Height 22 mm, width 335 mm
Height 35 mm, width 195 mm
Height 35 mm, width 245 mm
Height 35 mm, width 295 mm
Height 35 mm, width 335 mm

Code	Standard Packaging	Standard Weight kg	Standard Volume m ³
22379	4	2.8	0.006
22380	4	3.6	0.009
22381	4	4.8	0.012
22382	4	5.7	0.016
22383	4	3.2	0.009
22384	4	4.1	0.014
22385	4	5.3	0.012
22386	4	6.2	0.023



Code	A	H	L	P
22379	245	22	195	127
22380	295	22	245	127
22381	345	22	295	127
22382	385	22	335	127
22383	245	35	195	-
22384	295	35	245	-
22385	345	35	295	-
22386	385	35	335	-

Measurements in mm.

OVERFLOW GRATINGS



Stainless Steel longitudinal grating and Stainless Steel 90° corner



Longitudinal overflow grating, made in Stainless Steel. It is necessary to construct the channel 5mm wider than the grille itself, to allow for easy assembly.

It is made up of straight sections of AISI-304 Stainless Steel, 500 mm in length. Straight sections can be made-to-measure in order to fit the length of the swimming pool.

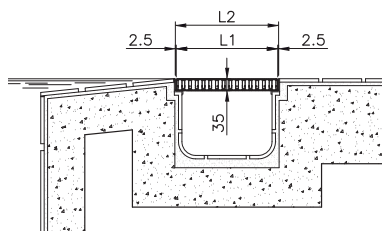
The 90° corner is made of Stainless Steel and is the perfect complement to the Stainless Steel longitudinal grating. Metal with non-slip surface. 4 models with different sizes according to the width of grating used.

Height: 35 mm.

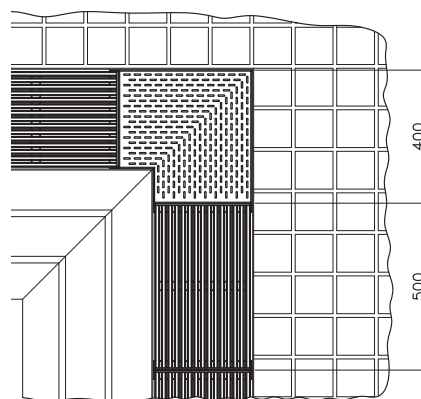
- Stainless Steel longitudinal grille 195 mm
- Stainless Steel longitudinal grille 245 mm
- Stainless Steel longitudinal grille 295 mm
- Stainless Steel longitudinal grille 345 mm

- Stainless Steel 90° corner 195 mm
- Stainless Steel 90° corner 245 mm
- Stainless Steel 90° corner 295 mm
- Stainless Steel 90° corner 345 mm

Code	Standard Packaging	Standard Weight kg	Standard Volume m ³
32415	-	-	-
32416	-	-	-
32417	-	-	-
32418	-	-	-
32729	-	-	-
32730	-	-	-
32731	-	-	-
32732	-	-	-



Grating code	Corner code	L1	L2
32415	32729	195	200
32416	32730	245	250
32417	32731	295	300
32418	32732	345	350



SAFETY BARRIERS

Top model Safety barrier



Top model

These safety barriers are developed according to French Standard NF P90-306. With Stainless Steel posts and glass panel. Designed for easy assembly, these barriers prevent children under 5, animals and objects entering the area pool.

Top model safety barrier (S.S. AISI-304 post with glass)

Ø 63 mm S.S. post

90° S.S. post

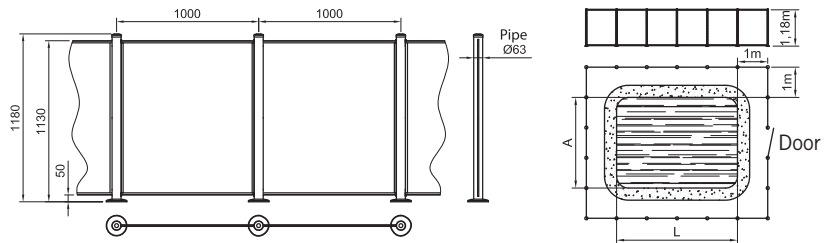
Set of glass fixing profiles

Glass panel

Glass barrier door

Code	Standard Packaging	Standard Weight kg	Standard Volume m ³
32664	1	-	-
32665	1	-	-
32666	1	-	-
32667	1	-	-
32668	1	-	-

Top model



Pool (A x L)	Perimeter (m)	Top model				
		32664	32665	32666	32667	32668
3 x 6 m	26	20	4	25	25	1
4 x 8 m	32	26	4	31	31	1
5 x 10 m	38	32	4	37	37	1
6 x 12 m	44	38	4	43	43	1

UNDERWATER SAFETY ALARMS



Aqualarm

New

Aqualarm is a security detector immersed for the pool is also a synonym for security, which detect any movement or fall 24 hours, 7 days a week. To avoid false alarms, Aqualarm incorporates the most advanced technologies and continuously analyzes the waves in the pool. Regardless of the pool equipment (robot, waterfall, filtration etc.), and atmospheric conditions (wind, rain etc.). With a smart and elegant design, Aqualarm seamlessly integrates with the pool environment and does not alter its harmony. Easy installation and no wiring is required. Aqualarm is a product according to the French standard NF P 90-307-1:2009.

	Code	Standard Packaging	Standard Weight kg	Standard Volume m ³
Aqualarm	54458	1	2.6	0.011



Espio alarm

New

Espio is a typology detector for pool safety installation immersed in the inner wall of the pool, which provides total discretion. Espio is a leader in protection and security of the pool by:

- Immersion of the central detector for total discretion.
- New electronic intelligence for even more precise analysis.
- Ergonomics designed for activation and use simplified.
- Increased autonomy for more tranquility.

Technical Features:

- Complies with NF P90-307/A1
- Remote to activate and change modes
- Automatic rearming after bathing
- Signal monitoring periods not
- Integrated Siren, 100 dB minimum
- Signal Weak batteries
- Failure signal
- Compatible with automatic covers
- Integration into existing pools
- Integration in the pools under construction
- Securing support multi
- Sirena radio remote secure connection
- Size in inches L26 x A20 x a5, 5
- Powered by 4 LR20 batteries
- Battery life 2 years depending on use

	Code	Standard Packaging	Standard Weight kg	Standard Volume m ³
Espio Alarm	54459	1	3.0	0.011



POOL SHELL EQUIPMENT



Concrete Pool

- 88 • Skimmers 15 l
- 89 • Skimmers 17.5 L
- 91 • Skimmer Accessories
- 92 • S.S. Skimmers
- 94 • Skimmer accessories in S.S.
- 94 • Water level regulators
- 95 • Main drains
- 98 • Main drain accessories
- 99 • Drain grilles
- 101 • ABS inlets
- 104 • S.S. inlets
- 106 • Wall conduits
- 107 • Winter accessories

Liner and prefabricated pools

- 108 • Skimmers 15 L
- 110 • Skimmers 17.5 L
- 112 • Main drains
- 115 • Main drain accessories
- 115 • Water level regulators
- 116 • ABS inlets
- 120 • S.S. inlets
- 121 • Wall conduits

CONCRETE POOL - SKIMMERS 15 L

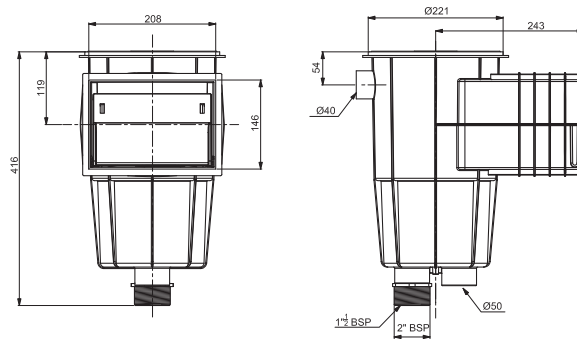
All exposed skimmer parts are UV resistant. In white ABS with silent weir flap and flow regulation plug. G 1 1/2" female - G 2" male threaded lower suction connections. Ø 50 mm solvent connection also provided. Overflow connection Ø 40 mm. Basket secured to base with bayonet fixing. **Recommended flow 5 m³/h.** We recommend installing one skimmer for every 25 m² of water surface area.

Skimmer with standard mouth opening



Round lid
Square lid

	Code	Standard Packaging	Standard Weight kg	Standard Volume m ³
Round lid	00249	1	2.95	0.059
Square lid	00250	1	3.15	0.059

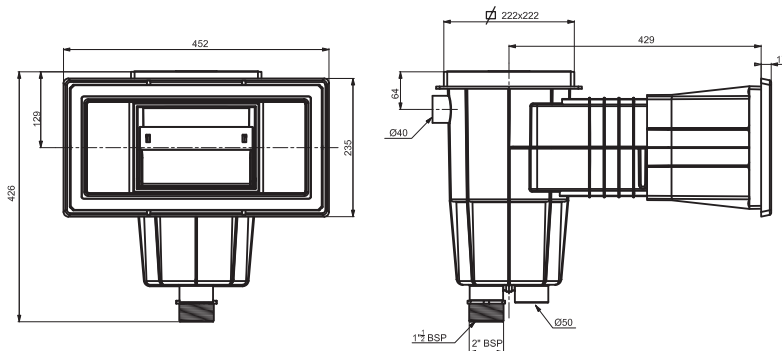


Skimmer with wide mouth opening

Round lid
Square lid

	Code	Standard Packaging	Standard Weight kg	Standard Volume m ³
Round lid	00251	1	4.47	0.12
Square lid	00252	1	3.00	0.12

Optional colour



CONCRETE POOL - SKIMMERS 17.5 L

All exposed skimmer parts are UV resistant. In white ABS with silent weir flap and flow regulation plug. G 1 1/2" female - G 2" male suction connections. Ø 50 mm solvent connection also provided. Overflow connection Ø 32 mm. Lid with clip fastening system with lid height adjustment to fit surround perfectly. Basket secured to base with bayonet fixing. Weir flap included. **Recommended flow 7.5 m³/h.** We recommend installing one skimmer for every 25 m² of water surface area.

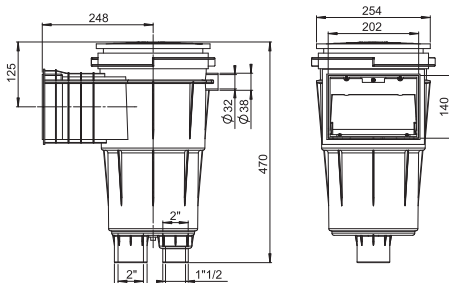
POOL SHELL EQUIPMENT

Skimmer with standard mouth opening



Round lid
Square lid

Code	Standard Packaging	Standard Weight kg	Standard Volume m³
05589	1	4.20	0.062
11306	1	4.20	0.062

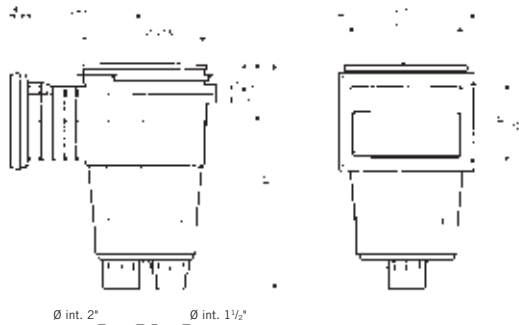


Skimmer with standard mouth opening and decorative face plate



Round lid
Square lid

Code	Standard Packaging	Standard Weight kg	Standard Volume m³
05280	1	5.10	0.062
11302	1	5.20	0.062

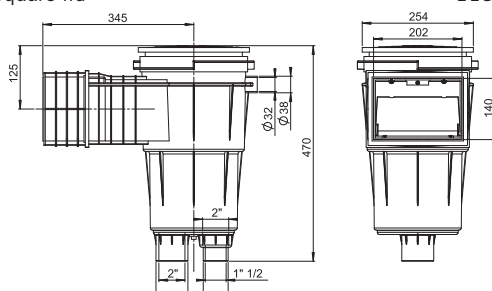


Skimmer with extended throat and standard mouth opening



Round lid
Square lid

Code	Standard Packaging	Standard Weight kg	Standard Volume m³
05590	1	4.85	0.077
11307	1	5.90	0.077



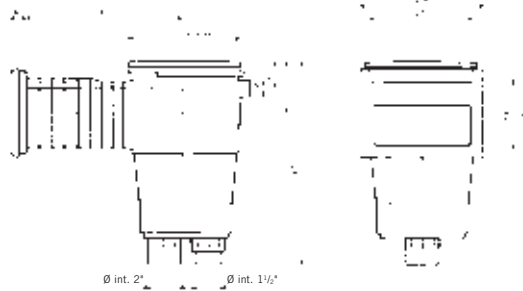
CONCRETE POOL - SKIMMERS 17.5 L

Skimmer with standard mouth opening, extended throat and face plate



Round lid
Square lid

Code	Standard Packaging	Standard Weight kg	Standard Volume m ³
05281	1	5.09	0.077
11303	1	5.75	0.060

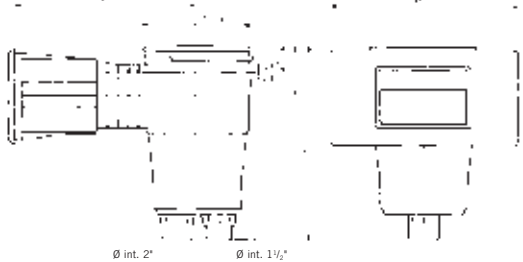


Skimmer with wide mouth opening



Round lid
Square lid

Code	Standard Packaging	Standard Weight kg	Standard Volume m ³
05282	1	6.20	0.135
11304	1	6.24	0.135

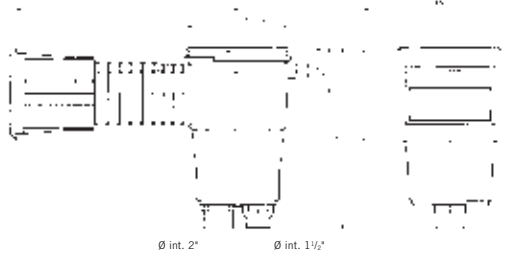


Skimmer with extended throat and wide mouth opening



Round lid
Square lid

Code	Standard Packaging	Standard Weight kg	Standard Volume m ³
05283	1	6.75	0.161
11305	1	6.90	0.161



Versions of the 17.5 litre skimmer can be supplied with throat extensions much larger than those stated above. This could be of particular interest when using wider coping stones than the usual width.

CONCRETE POOL - SKIMMER ACCESSORIES

15 lts skimmer cover extension ring



Additional spacer ring to increase distance between 15 l skimmer and lid. 25 mm lengthening distance. Made in ABS. Height can be increased by overlaying various connections. Can also be slightly tipped to level with ground.

Code	Standard Packaging	Standard Weight kg	Standard Volume m ³
19919	17	4.08	0.069



17.5 lts skimmer cover extension ring



Additional ring for better adjusting and levelling 17.5 l skimmer lid to the deck level. 20 mm lengthening distance. Made in white ABS. Height can be millimetrically gauged by overlaying various rings. Can also be slightly tipped to level with ground.

Code	Standard Packaging	Standard Weight kg	Standard Volume m ³
18153	17	4.70	0.069

15 lts skimmer lid thermometer



Lid for 15 lts. skimmer with thermometer incorporated. Made in UV stabilised ABS. Allows easy temperature reading of pool water.

Code	Standard Packaging	Standard Weight kg	Standard Volume m ³
15865	1	8.9	0.060

Floating weir assembly in ABS



Complete with strainer basket in white ABS.

For 15 l skimmers
For 17.5 l skimmers

Code	Standard Packaging	Standard Weight kg	Standard Volume m ³
00253	12	20.5	0.207
05703	12	20.5	0.207

Bag for skimmer strainer basket



Hygienic residue retention throw away bag placed inside the skimmer basket to protect the filter and obtain the high-est efficiency level. Suits all skimmer types with baskets till Ø 24 cm.

12 units per box

Code	Standard Packaging	Standard Weight kg	Standard Volume m ³
25768	12	0.40	0.006

CONCRETE POOL - S.S. SKIMMERS

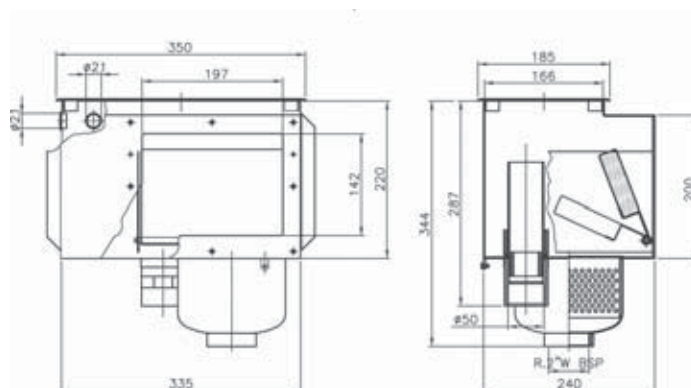


A-100 S.S. skimmer

Made of S.S. AISI-316. With \varnothing 50 mm overflow with S.S. lid and strainer basket, both included. Provided with space for installing water level regulating valve 00256. With earth connection. Recommended flow: 7.5 m³/h.

Suction connection 2"

Code	Standard Packaging	Standard Weight kg	Standard Volume m ³
00254	1	8.4	0.04



Decorative frame

For 00254 skimmer. Made in S.S. AISI-316.

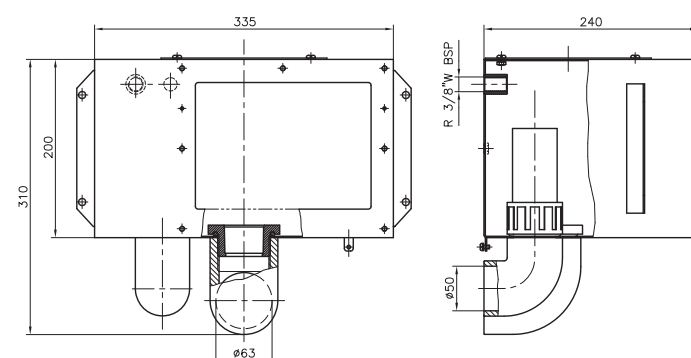
Code	Standard Packaging	Standard Weight kg	Standard Volume m ³
00255	1	0.62	0.003

Skimmer body A-201

In S.S. AISI-316. With \varnothing 50 mm overflow. Skimmer housing without telescopic lid. Provided with space for fitting water level regulating valve 00256. With earth connection.

Suction connection \varnothing 63 mm

Code	Standard Packaging	Standard Weight kg	Standard Volume m ³
07520	1	6.51	0.04



CONCRETE POOL - S.S. SKIMMERS

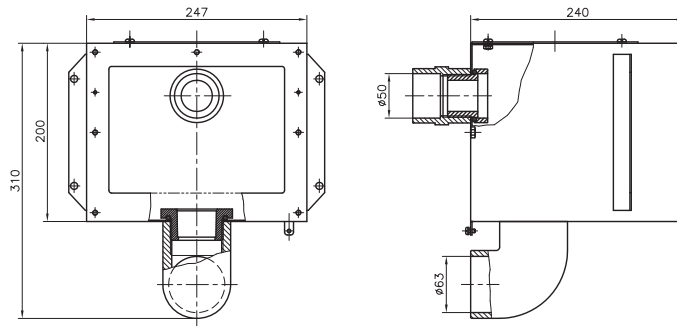
Skimmer body A-202



Made of S.S. AISI-316. With Ø 50 mm overflow. Skimmer housing without telescopic lid. With earth connection.

Suction connection Ø 63 mm

Code	Standard Packaging	Standard Weight kg	Standard Volume m ³
07610	1	5.25	0.04



Skimmer strainer basket for A-201 and A-202



Made of S.S. AISI-316. Includes face plate for direct removal through skimmer mouth.

Code	Standard Packaging	Standard Weight kg	Standard Volume m ³
07521	1	2.19	0.02

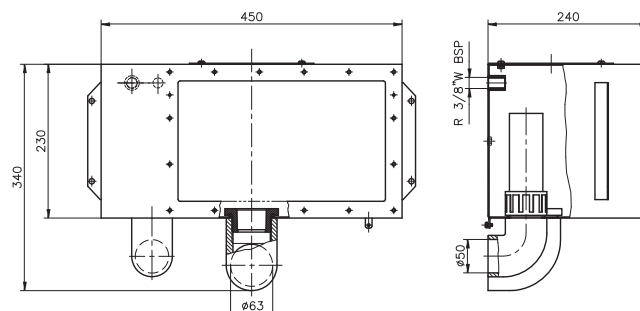
Skimmer body A-400



Made of S.S. AISI-316. With Ø 50 mm overflow. Skimmer housing without telescopic lid. Provided with space for fitting water level regulating valve 00256. With earth connection.

Suction connection, Ø 63 mm

Code	Standard Packaging	Standard Weight kg	Standard Volume m ³
07523	1	8.0	0.06



CONCRETE POOL - S.S. SKIMMERS

Skimmer strainer basket for A-400 skimmer



Made of S.S. AISI-316. For direct removal through skimmer throat.

Code	Standard Packaging	Standard Weight kg	Standard Volume m ³
07522	1	3.5	0.04

CONCRETE POOL - SKIMMER ACCESSORIES IN S.S.

Telescopic lid



Made of S.S. AISI-316. For skimmer models A-201, A-202 and A-400. Square lid 180 x 180 mm. Adjustable height from 60 to 110 mm.

Code	Standard Packaging	Standard Weight kg	Standard Volume m ³
07524	1	1.63	0.01

Water level regulating valve



Valve to be fitted into all S.S. skimmer models, except in model A-202. Adjustable buoy. Connection 3/8".

Code	Standard Packaging	Standard Weight kg	Standard Volume m ³
00256	1	0.21	0.002

CONCRETE POOL - WATER LEVEL REGULATORS

Water level regulator



Made in ABS. Installed by lateral or inferior connection, as required. Knockout outlets. Height and level adjustable cover. Compatible with any type of skimmer.

Code	Standard Packaging	Standard Weight kg	Standard Volume m ³
15862	1	2.0	0.016

CONCRETE POOL - MAIN DRAINS

All main drains made in plastic are provided with UV protected grilles.
 · According to EN 13451-1 Standard, public pools require:
 - Water velocity 0.5 m/sec
 - Maximum suction velocity in pipe 1.5 m/sec
 - Minimum distance between drains: >2 m

Circular main drain Ø 270 mm with grille in ABS



Made totally in white ABS, 1½" bottom connection and 2" side connections which can be plugged from the inside for pressure testing. 1½" bottom connection with plug or for fitting the hydrostatic relief valve (00277) & drainage tube (21581). Grille cover diameter Ø 250 mm. Maximum flow rate: 13 m³/h.

Code	Standard Packaging	Standard Weight kg	Standard Volume m³
01466	4	5.0	0.045

Circular main drain, 2" outlet



Body and grille in white ABS. Grille fixed with screws. Maximum flow: 13 m³/h.

Code	Standard Packaging	Standard Weight kg	Standard Volume m³
01467	4	2.8	0.028

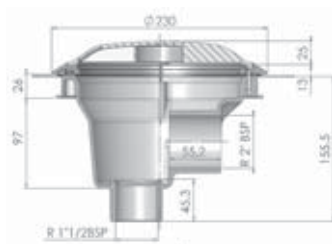
Optional colour

Circular main drain Ø 200 mm with antivortex grille



Made in ABS. Side connection 2" and bottom connection 1½" with knockout sockets. Drainage pipe (21581) can be fitted. Maximum flow: 13 m³/h.

Code	Standard Packaging	Standard Weight kg	Standard Volume m³
27837	1	2.807	0.028



B-B Section



Plan view

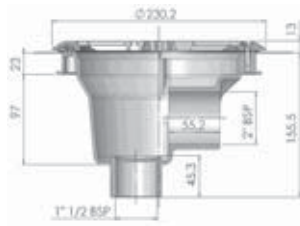
CONCRETE POOL - MAIN DRAINS

Circular main drain Ø 200 mm with flat grille

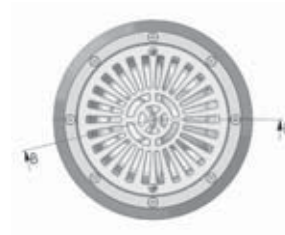


Made in white ABS. Side connection 2" and bottom connection 1½" with knockout sockets. With bottom knockout sockets closed which allow to open the appropriate one when ever necessary. Maximum flow: 13 m³/h.

Code	Standard Packaging	Standard Weight kg	Standard Volume m³
27839	1	2.651	0.028



B-B Section



Plan view



Square main drain with ABS grille 210 mm x 210 mm

Side connection 2". Body and grille in white ABS. Grille fixed with screws. Maximum flow: 13 m³/h.

Code	Standard Packaging	Standard Weight kg	Standard Volume m³
00258	4	4.0	0.044

Circular S.S. main drain, 2" outlet



Side connection 2". In S.S. AISI-316. Grille fixed with screws. Maximum flow: 13 m³/h.

Code	Standard Packaging	Standard Weight kg	Standard Volume m³
00268	1	2.56	0.02

Side connection 2"

00268

1

2.56

0.02

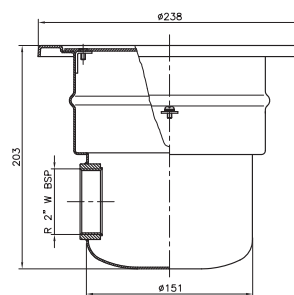
Side connection 2" and bottom connection 1½"

26196

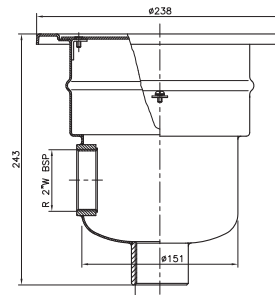
1

2.80

0.02



00268



26196



CONCRETE POOL - MAIN DRAINS



Main drain with square lid in S.S., 2" outlet



Side connection 2". Made in S.S. AISI-316. Antivortex lid. Can be used with liner and prefabricated pools with liner adaptor kit 00276. Maximum recommended flow: 6 m³/h.

Code	Standard Packaging	Standard Weight kg	Standard Volume m ³
00269	1	1.14	0.01



Main drain in polyester and fibreglass - 330 mm x 330 mm



Gel-coat finish. With optional hydrostatic valve.

Code	Standard Packaging	Standard Weight kg	Standard Volume m ³
------	--------------------	--------------------	--------------------------------

Grille in S.S. AISI-316. Slots < 8 mm

Solvent socket outlet connection	Grille	Flow	Code	Standard Packaging	Standard Weight kg	Standard Volume m ³
Ø 75 mm	AISI-316	16 m ³ /h	20282	1	5	0.047
Ø 90 mm	AISI-316	22 m ³ /h	20283	1	5	0.047
Ø 110 mm	AISI-316	33 m ³ /h	20284	1	5	0.047

ABS grille UV protected

Solvent socket outlet connection	Grille	Flow	Code	Standard Packaging	Standard Weight kg	Standard Volume m ³
Ø 75 mm	Plastic	16 m ³ /h	22359	1	4.5	0.034
Ø 90 mm	Plastic	22 m ³ /h	22360	1	4.5	0.034
Ø 110 mm	Plastic	33 m ³ /h	22361	1	4.5	0.034
Ø 125 mm	Plastic	43 m ³ /h	22362	1	4.5	0.034

Max. recommended flow according to EN 13451-1 Standard.



Main drain in polyester and fibreglass - 515 mm x 515 mm



Gel coat finish. With optional hydrostatic valve.

Code	Standard Packaging	Standard Weight kg	Standard Volume m ³
------	--------------------	--------------------	--------------------------------

Grille in S.S. AISI-316. Slots < 8 mm

Solvent socket outlet connection	Grille	Flow	Code	Standard Packaging	Standard Weight kg	Standard Volume m ³
Ø 110 mm	AISI-316	33 m ³ /h	20285	1	11.5	0.132
Ø 125 mm	AISI-316	43 m ³ /h	20286	1	11.5	0.132
Ø 140 mm	AISI-316	54 m ³ /h	20287	1	11.5	0.132
Ø 160 mm	AISI-316	70 m ³ /h	20288	1	11.5	0.132
Ø 200 mm	AISI-316	100 m ³ /h	20289	1	11.5	0.132

ABS grille UV protected

Solvent socket outlet connection	Grille	Flow	Code	Standard Packaging	Standard Weight kg	Standard Volume m ³
Ø 110 mm	Plastic	33 m ³ /h	28709	1	11.5	0.132
Ø 125 mm	Plastic	43 m ³ /h	28710	1	11.5	0.132
Ø 140 mm	Plastic	54 m ³ /h	28711	1	11.5	0.132
Ø 160 mm	Plastic	70 m ³ /h	28712	1	11.5	0.132
Ø 200 mm	Plastic	100 m ³ /h	28713	1	11.5	0.132

Max. recommended flow according to EN 13451-1 Standard.

CONCRETE POOL - MAIN DRAINS



Combined anti-suction and antivortex lid



Combination of main drain (plastic grille) & antivortex lid 28556.

	Code	Standard Packaging	Standard Weight kg	Standard Volume m ³
Main drain 330 mm x 330 mm				
Combined anti-suction Ø 75 mm	28666	1	-	-
Combined anti-suction Ø 90 mm	28706	1	-	-
Combined anti-suction Ø 110 mm	28707	1	-	-
Combined anti-suction Ø 125 mm	28708	1	-	-
Main drain 515 mm x 515 mm				
Combined anti-suction Ø 110 mm	28665	1	-	-
Combined anti-suction Ø 125 mm	28702	1	-	-
Combined anti-suction Ø 140 mm	28703	1	-	-
Combined anti-suction Ø 160 mm	28704	1	-	-

CONCRETE POOL - MAIN DRAIN ACCESSORIES



Hydrostatic valve



To alleviate pressure that underground water can build up under the pool shell, it is recommended that a hydrostatic valve & drainage tube are fitted to a main drain.

Hydrostatic valve: To thread into the bottom of main drain with 2" outlet. Made of white ABS with screw and spring in S.S. Male thread 1½".

	Code	Standard Packaging	Standard Weight kg	Standard Volume m ³
	00277	4	1.0	0.003



Drainage tube



For hydrostatic valve. 1½" BSP threading for 01466, 27837 and 27839 main drains. In UV resistant ABS.

	Code	Standard Packaging	Standard Weight kg	Standard Volume m ³
	21581	24	3.54	0.021

CONCRETE POOL - MAIN DRAIN ACCESSORIES



Flush antivortex lid



New flush design to allow unobstructed passage of cleaners. Complies with EN 13451-1: 2000 Standard. 415 x 415 mm lid suitable with the following drains:

With S.S. grille:

- 20282
- 20283
- 20284

With plastic grille:

- 22359
- 22360
- 22361
- 22362

570 x 570 mm lid suitable with the following drains:

With S.S. grille:

- 20285
- 20286
- 20287
- 20288

With plastic grille:

- 28709
- 28710
- 28711
- 28712



415 mm x 415 mm. Height: 70 mm
570 mm x 570 mm. Height: 60 mm

Code	Standard Packaging	Standard Weight kg	Standard Volume m ³
25344	1	2.25	0.012
28556	1	4.00	0.032

CONCRETE POOL - DRAIN GRILLES



Drain grille of Ø 200 mm



Ring support and grille in white ABS. Supplied with grille fixing screws.

Code	Standard Packaging	Standard Weight kg	Standard Volume m ³
00280	10	3.0	0.031



Drain grille in S.S. of Ø 200 mm



Support ring in white plastic, grille in S.S. AISI-316. Supplied with grille fixing screws. Recommended max. flow: 13 m³/h.

Code	Standard Packaging	Standard Weight kg	Standard Volume m ³
00279	10	6.0	0.02



Drain grille in S.S. of Ø 300 mm



Support ring in Aluminium, grille in S.S. AISI-316. Supplied with grille fixing screws. Recommended max. flow: 27 m³/h.

Code	Standard Packaging	Standard Weight kg	Standard Volume m ³
00282	4	5.8	0.02

CONCRETE POOL - DRAIN GRILLES



Drain grilles



Stainless steel frame. Stainless steel grille. Supplied with grille fixing screws. Other dimensions can be supplied on order.

AISI-304

200 mm x 200 mm

Max. recommended flow 15 m³/h (0.5 m/s)

Code	Standard Packaging	Standard Weight kg	Standard Volume m ³
------	--------------------	--------------------	--------------------------------

300 mm x 300 mm

Max. recommended flow 43 m³/h (0.5 m/s)

400 mm x 400 mm

Max. recommended flow 83 m³/h (0.5 m/s)

500 mm x 500 mm

Max. recommended flow 136 m³/h (0.5 m/s)

AISI-316

200 mm x 200 mm

Max. recommended flow 15 m³/h (0.5 m/s)

300 mm x 300 mm

Max. recommended flow 43 m³/h (0.5 m/s)

400 mm x 400 mm

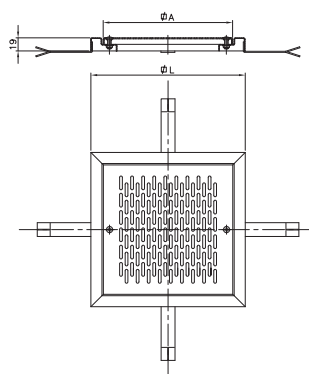
Max. recommended flow 83 m³/h (0.5 m/s)

500 mm x 500 mm

Max. recommended flow 136 m³/h (0.5 m/s)

CODE	L	A
00284	223	187
00285	323	287
00286	423	387
00287	523	487

CODE	L	A
30764	223	187
30765	323	287
30766	423	387
30767	523	487



Drain grilles range



Manufactured in compliance with EN 13451-1:2000 standard. Available in stainless steel and plastic. Frames are made in polyester and fibreglass with a gel-coat finish. Possibility of mounting antivortex lids (codes 25344 and 28556).

Main drain grille in stainless steel

490 mm x 490 mm

Main drain grille in plastic

490 mm x 490 mm

Main drain grille in stainless steel

345 mm x 345 mm

Main drain grille in plastic

345 mm x 345 mm

Code	Standard Packaging	Standard Weight kg	Standard Volume m ³
------	--------------------	--------------------	--------------------------------

28560 1 5.0 0.029

28561 1 4.7 0.029

28562 1 3.0 0.029

28563 1 2.9 0.029

Drain grilles for residential pool



New range of Drain grilles for use in residential and commercial swimming pool applications. Available in plastic or stainless steel. Frames made in plastic. Grilles designed according to standard EN-13451-1:200. Excellent finish.

Code	Standard Packaging	Standard Weight kg	Standard Volume m ³
------	--------------------	--------------------	--------------------------------

Drain grille 252 x 252 mm in plastic 34331 1 - 0.0129

Drain grille 252 x 252 mm in S.S. 34332 1 - 0.0129

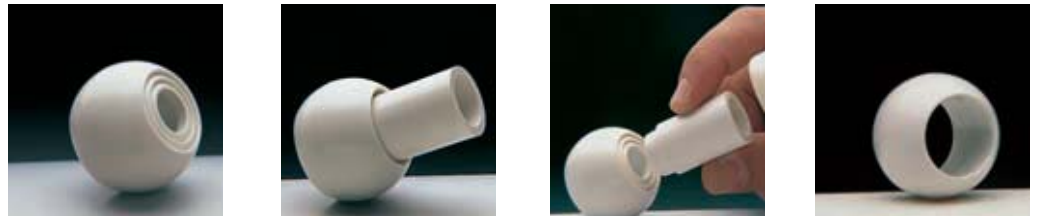
Drain grille 410 x 410 mm in plastic 34333 1 - 0.0540

Drain grille 410 x 410 mm in S.S. 34334 1 - 0.0540

CONCRETE POOL - ABS INLETS

MULTIFLOW SYSTEM

The eyeball has been marked with a series of "knock-out" sockets of 14, 20, and 25 mm, enabling the desired flow to be selected at the time of installation.
 Recommended max flow velocity 4 m/sec, complies with EN 13451-1: Standard
 Flow rates: Ø 14 mm = 2.2 m³/h, Ø 20 mm = 4.5 m³/h, Ø 25 mm = 7 m³/h



Return inlet "Multiflow" to glue

To glue into Ø 50mm 10 bar pipe. Made in white ABS.

Code	Standard Packaging	Standard Weight kg	Standard Volume m ³
24413	40	4.0	0.020

Optional colour



Return inlet "Multiflow" to glue

Made of ABS in white colour. For glueing inside diam 50 mm PN10 pipes.

Code	Standard Packaging	Standard Weight kg	Standard Volume m ³
33501	50	2.9	0.020



Return inlet "Multiflow" (threaded)

2" male thread, inner Ø 50 mm for glueing. Made in white ABS. Can be installed with wall conduits: 15658-15659.

Code	Standard Packaging	Standard Weight kg	Standard Volume m ³
00295	24	4.35	0.020



Inlet suction nozzle for large flows

Inlet nozzles for large flows and they can be also be used as suction nozzle. Inlet flow rate 30m³/h for a maximum water flow velocity of 4m/s according to EN 13451-1 standard. Suction flow rate 5m³/h for a maximum water flow velocity of 0.5m/s according to EN 13451-1 standard. PVC body, ABS grille, PA flange and AISI 304 screws, holes in grilles are not bigger than 8mm according to EN 13451-1 standard. Ø75 or Ø90 pipe connection. The nozzle can be installed into the wall conduit 43590. 3 models available for concrete pools and panel pools.

Code	Standard Packaging	Standard Weight kg	Standard Volume m ³
41520	16	4.20	0.021

Inlet/suction nozzle for large flows and concrete pools



CONCRETE POOL - ABS INLETS



Return inlet "Multiflow" to glue

To glue onto Ø 63 mm, outside 6 bar pipe and inside Ø 50 mm. Made in white ABS. Can be installed with wall conduits: 15661-15660.

Code	Standard Packaging	Standard Weight kg	Standard Volume m ³
00298	24	4.24	0.020



Return inlet

In white ABS UV resistant. 3 adjustable positions. (100%, 65%, & 35%). Max. flow rate: 13.5 m³/h complies with EN 13451-1 Standard. Connection: Ø 63 mm to glue on the outside.

Code	Standard Packaging	Standard Weight kg	Standard Volume m ³
15863	24	3.4	0.020



Concrete floor inlet

Return / Suction. Adjustable flow. Made in white ABS, screw in S.S. Max. flow rate: 12 m³/h complies with EN 13451-1 Standard.

Code	Standard Packaging	Standard Weight kg	Standard Volume m ³
00303	24	5.0	0.020
20140	20	4.4	0.021

2" male thread, inner Ø 50 mm to glue
To glue onto Ø 63 mm PN 6, inner Ø 50 mm



Adjustable 3" Concrete floor inlet

Made in white ABS. Adjustable flow by rotating the grille. Suction surface area: 0.015 m². Outer Ø 295 mm. Flow rate: 20 m³/h. (0.4 m/s.) Max. recommended flow rate: 26 m³/h. (0.5 m/s.) according to EN-13451-1 Standard.

Code	Standard Packaging	Standard Weight kg	Standard Volume m ³
08317	2	2.65	0.047
11796	2	2.65	0.047

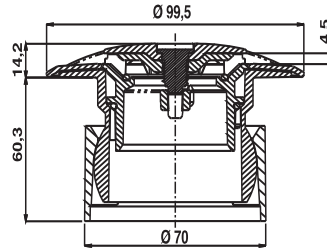
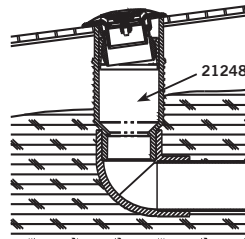
Grille in S.S. AISI-304
Grille in white ABS

CONCRETE POOL - ABS INLETS



Adjustable floor inlets with swivel joint

Swivel body in PVC. Lid in ABS. Regulating screw in POM. Max. flow rate: 9,5 m³/h. To be fixed on Ø 75 mm pipe and wall conduit 21248.



Code	Standard Packaging	Standard Weight kg	Standard Volume m ³
22353	24	4.1	0.022



Wall conduit

Wall conduit appropriate to glue the swivel joint floor inlet code 22353. 50 mm inside and 63 mm outside diameter.



Code	Standard Packaging	Standard Weight kg	Standard Volume m ³
21248	12	7.3	0.032



Concrete suction nozzle

To glue to Ø 63 mm 6 bar pipe and Ø 50 mm solvent internal. Made in white ABS. Plug thread 1½". Recommended to be installed with wall conduits 15661 & 15660.



Code	Standard Packaging	Standard Weight kg	Standard Volume m ³
00300	24	3.62	0.020



Concrete suction nozzle

2" male thread, Ø 50 mm solvent internal. Maxim pressure: 6 bar. Made in white ABS. Plug thread 1½". Recommended to be installed with wall conduits 15658 & 15659.



Code	Standard Packaging	Standard Weight kg	Standard Volume m ³
00301	24	3.8	0.020

Concrete suction nozzle

To glue to Ø 50 mm 10 bar pipe. Made in white ABS . Plug thread 1½". End connection 07958 and push fit connection 01393. Recommended to be installed with wall conduits 15658 & 15659.



Code	Standard Packaging	Standard Weight kg	Standard Volume m ³
24415	60	3.72	0.02

Optional colour

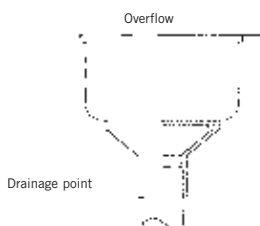
CONCRETE POOL - ABS INLETS



Overflow channel drainage point



Body and grille in ABS. Screws in S.S. To be glued to Ø 63 mm pipe. Particularly suitable for overflow gutters and to be used as a lateral suction point for pools using the Net'n'Clean infloor cleaning system. Max. recommended flow rate: 7 m³/h.



Code	Standard Packaging	Standard Weight kg	Standard Volume m ³
00302	12	3.1	0.016



Suction nozzle for overflow pools with liner



PVC body, PA flange and Stainless Steel screws. Suction flow rate 7m³/h for a maximum water flow velocity of 0.5m/s according to EN 13451-1 standard. Ø75 or Ø90 pipe connection. Double gasket.

Code	Standard Packaging	Standard Weight kg	Standard Volume m ³
41519	12	4.83	0.021

Hydromassage kit



Consists of a return inlet and wall conduit fitted with an air inlet and a venturi jet. Two wall conduit lengths. Ø 50 mm water connection pipe and Ø 20 mm air suction pipe.

Code	Standard Packaging	Standard Weight kg	Standard Volume m ³
32113	12	3.5	0.021
32370	12	3.6	0.021

Hydromassage kit for concrete pools:

Length of wall conduit 195 mm
Length of wall conduit 280 mm

Hydromassage kit for concrete pools with liner:

Length of wall conduit 190 mm
Length of wall conduit 275 mm

31443	12	3.5	0.021
32371	8	3.5	0.021

CONCRETE POOL - S.S. INLETS

Return inlet



Male thread 1½". Made in S.S. AISI-316. Recommended max. flow 4.5 m³/h. Complies with EN 13451-3 Standard. Ball Ø 20 mm.

Length 35 mm
Length 50 mm
Length 70 mm

Code	Standard Packaging	Standard Weight kg	Standard Volume m ³
32994	1	0.3	0.001
16325	1	0.3	0.001
16326	1	0.5	0.001

CONCRETE POOL - S.S. INLETS



Adjustable pool floor return inlet

Male thread 2". Made in S.S. AISI-316. For both concrete and prefabricated pools. Water flow can be adjusted by the central screw. Recommended max. flow 14 m³/h. Complies with EN 13451-3 Standard.



Code	Standard Packaging	Standard Weight kg	Standard Volume m ³
15839	1	0.9	0.002

Suction point

Male thread 1 1/2". Made in S.S. AISI-316. Requires the fitting 05684.



Code	Standard Packaging	Standard Weight kg	Standard Volume m ³
16328	1	0.2	0.001
21644	1	0.3	0.001

Length 50 mm
Length 50 mm with lid



Adjustable concrete return inlet

Chromed brass, body grille in S.S. AISI-304.



Code	Standard Packaging	Standard Weight kg	Standard Volume m ³
00312	12	7.0	0.013
00313	6	10.0	0.014

Max. flow 21 m³/h female thread 2"
Max. flow 40 m³/h female thread 3"



Suction point with sliding cover

Chromed brass body with S.S. AISI-304 lid. Push fit. 2" female thread (01392 coupling is required for hose).



Code	Standard Packaging	Standard Weight kg	Standard Volume m ³
00315	12	8.0	0.008



Suction point with threaded cover

Chromed brass. Female thread 2". (01395 coupling is required for hose).



Code	Standard Packaging	Standard Weight kg	Standard Volume m ³
00317	12	10.0	0.012

CONCRETE POOL - WALL CONDUITS

Range of 300 mm long conduits for Ø 2" inlets and "Multiflow" models, that can easily be cut to required lengths depending on the pool wall thickness. Made in ABS. The flanged rib has 2 holes for positioning within the pool shell.

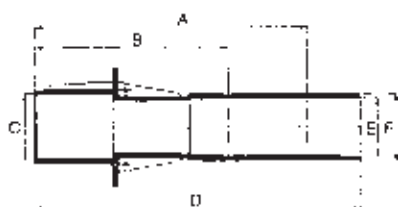


Rear 2" male thread and inside Ø 50 mm solvent socket

	Code	Standard Packaging	Standard Weight kg	Standard Volume m ³
2" front female thread for 2" male thread return	15658	15	4.3	0.040
Ø 59.3 mm solvent internal for returns suitable for gluing in to Ø 63 mm 6 bar pipe & light "MINI" 33684	15661	15	4.2	0.040

Rear Ø 63 mm solvent weld and inside Ø 50 mm solvent weld

	Code	Standard Packaging	Standard Weight kg	Standard Volume m ³
2" front female thread for 2" male thread return	15659	15	4.2	0.040
Front Ø 59.3 mm inner diameter for gluing to Ø 63 mm. 6 bar pipe & light "MINI" 33684	15660	15	5.6	0.040



Dimensions	Models			
	15658	15661	15659	15660
A	250	250	250	250
B	175	175	175	175
C	2"	Ø59.3	2"	Ø59.3
D	300	300	300	300
E	Ø50	Ø50	Ø50	Ø50
F	2"	2"	Ø63	Ø63



PVC wall conduit

PVC grey colour.

	Code	Standard Packaging	Standard Weight kg	Standard Volume m ³
150 mm length: 2" Male thread + inside Ø 50 mm. Female thread 2"	00322	12	3.0	0.011
300 mm length: 2" female & male connection	00323	6	3.0	0.011
2" Rear male thread pipe connection, inside Ø 50 mm, solvent weld for 33684 light	00324	6	3.0	0.011
2" Male thread + inside Ø 50 mm. Female thread 1½"	00325	6	3.0	0.011
2" Male thread + inside Ø 50 mm. Ø 50 mm special for 00289, 07957, 00304, 00305 and 00306 returns	00326	6	3.0	0.011

CONCRETE POOL - WALL CONDUITS

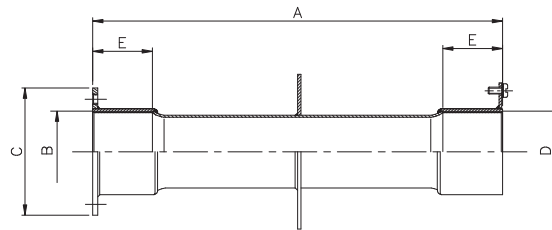
Stainless steel wall conduits

Made of S.S. AISI-304. Both ends with male thread of 1½". Earth connection.



Length 240 mm
Length 340 mm

Code	Standard Packaging	Standard Weight kg	Standard Volume m³
00327	1	0.7	0.003
00328	1	0.8	0.005



Dimensions	Models	
	00327	00328
A	240	340
B	1½"	1½"
C	74	74
D	1½"	1½"
E	35	35

POOL SHELL EQUIPMENT

CONCRETE POOL - WINTER ACCESSORIES

Winter plugs

To cover returns and prevents from possible frosts.



For 1½" nozzles
For 2" nozzles

Code	Standard Packaging	Standard Weight kg	Standard Volume m³
06211	-	-	-
06212	-	-	-

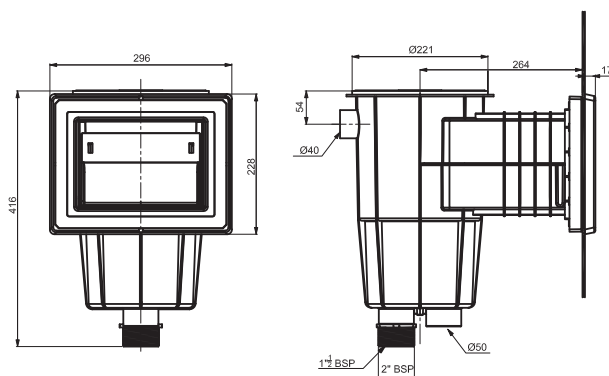
LINER AND PREFABRICATED POOL - SKIMMERS 15 L

All skimmer parts exposed are UV resistant. In white ABS with silent weir flap and flow regulation plug. G 1 1/2" female, G 2" male threaded lower connections. Ø 50 mm. drainage connection also provided. Overflow connection Ø 40 mm. **Recommended flow rate: 5 m³/h.** Advisable 1 skimmer for every 25 m² of pool water surface. Skimmers are available in two different models, the model with inserts and the PARKER model, supplied with self-tapping screws.

Skimmer with standard mouth

Supplied with adhesive gaskets, flanges, and screw kit.

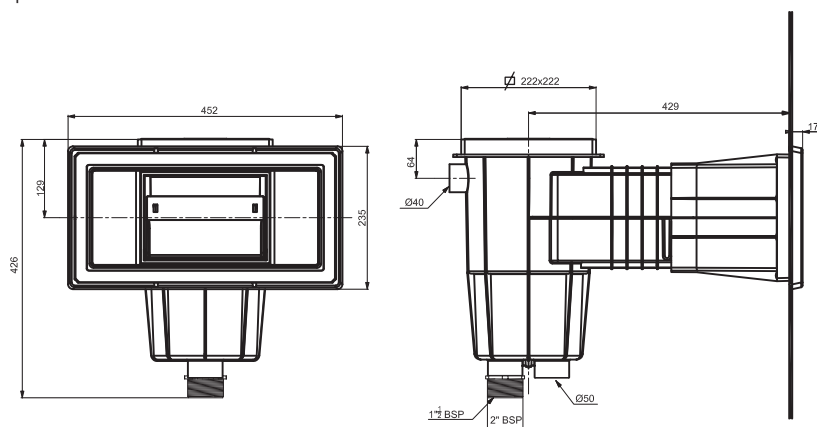
	Code	Standard Packaging	Standard Weight kg	Standard Volume m³
Round lid fixed by pressure	01461	1	4.0	0.059
Square lid fixed by pressure	01462	1	4.2	0.059



Skimmer with wide mouth

Supplied with adhesive gaskets, flanges and screw kit.

	Code	Standard Packaging	Standard Weight kg	Standard Volume m³
Round lid fixed by pressure	01463	1	5.04	0.12
Square lid fixed by pressure	01464	1	5.28	0.12



Optional colour

LINER AND PREFABRICATED POOL - SKIMMERS 15 L



Kit S.S. flanges

New

Kits made in S.S. flanges and screws specially designed for skimmers 15L with STD mouth and wide mouth, aimed to replace the plastic flanges for a better finish of the pool.

	Code	Standard Packaging	Standard Weight kg	Standard Volume m ³
Kit for Standard mouth	49860	10	8.5	0.035
Kit for wide mouth	49861	10	8.5	0.005

PANELLED POOL - SKIMMERS 15 L



Double joint kit for skimmer

Kits comprising a double joint and the screws necessary for the installation of skimmers in steel panel pools. This prevents both the pool water and damp from the ground from coming into contact with the moulded area and protects the panels from possible corrosion. It allows versions with inserts or self-tapping screws to be installed.

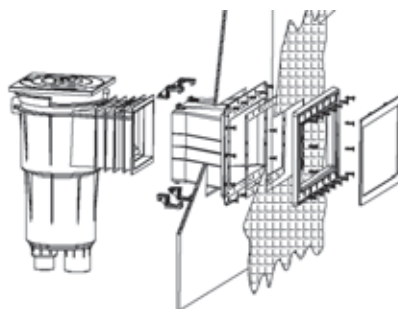
	Code	Standard Packaging	Standard Weight kg	Standard Volume m ³
For wide mouth, insert	14516-0500	40	-	0.070
For wide mouth, self-tapping screws	14516-0600	40	-	0.070
For standard mouth, inserts	27124-0500	80	-	0.035
For standard mouth, self-tapping screws	27124-0600	80	-	0.035



Skimmer Panel Protect, inside assembly

Supplied with adhesive gaskets and flanges. Special skimmers for panelled pools. The wide throat assembly is fixed on the inside of the panel. Each skimmer box includes the necessary glue.

	Code	Standard Packaging	Standard Weight kg	Standard Volume m ³
Skimmer Panel Protect 15 l wide mouth, round lid	32372	1	4.47	0.116
Skimmer Panel Protect 15 l wide mouth, square lid	30866	1	5.13	0.116
Adhesive for ABS	30884	1	0.20	0.001



Liner adaptor kit for S.S. skimmer

For liner, prefabricated and panelled pools. Includes: 2 adhesive gaskets, faceplate in S.S. AISI-316 and fixing screws.

	Code	Standard Packaging	Standard Weight kg	Standard Volume m ³
For skimmer A-100, A-201 and A-202 (00254, 07520 and 07610)	07525	1	0.78	0.002
For A-400 (Code 07523)	07526	1	1.13	0.01

LINER AND PREFABRICATED POOL - SKIMMERS 17.5 L

All skimmer parts exposed are UV resistant. In white ABS with silent weir flap and flow regulation plug. G 1 1/2" female, G 2" male lower suction connections. Ø 50 mm drainage connection also provided. Overflow connection Ø 40 mm. Secured to base with bayonet fixing system. **Recommended flow rate: 7,5 m³/h.** Advisable 1 skimmer for every 25 m² of pool water surface. Skimmers are available in two different models, the model with inserts and the PARKER model, supplied with self-tapping screws.



Skimmer with standard mouth

Supplied with adhesive gaskets, flanges, and screw kit.

	Code	Standard Packaging	Standard Weight kg	Standard Volume m³
Round lid	05284	1	5.30	0.062
Square lid	11309	1	5.30	0.062
Square lid, PARKER model	11315	1	5.30	0.062



Skimmer with standard mouth and extended throat

Supplied with adhesive gaskets, flanges, and screw kit.

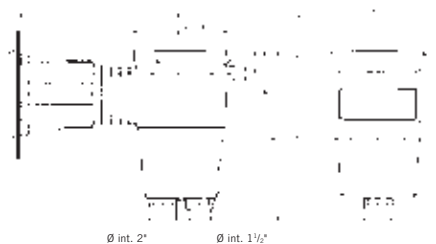
	Code	Standard Packaging	Standard Weight kg	Standard Volume m³
Round lid	05285	1	5.90	0.077
Square lid	11310	1	5.90	0.077
Square lid, PARKER model	11316	1	5.90	0.077



Skimmer with wide mouth

Supplied with adhesive gaskets and flanges.

	Code	Standard Packaging	Standard Weight kg	Standard Volume m³
Round lid	05286	1	6.50	0.135
Square lid	11311	1	6.52	0.135
Square lid, PARKER model	11317	1	6.52	0.135



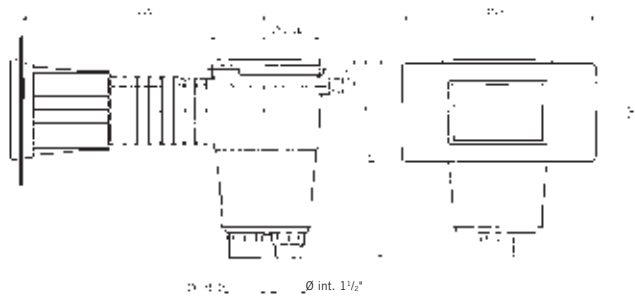
LINER AND PREFABRICATED POOL - SKIMMERS 17.5 L



Skimmer with wide mouth and extended throat

Supplied with adhesive gaskets, flanges, and screw kit.

	Code	Standard Packaging	Standard Weight kg	Standard Volume m ³
Round lid	07830	1	7.08	0.161
Square lid	11313	1	7.00	0.161
Square lid, PARKER model	11314	1	7.00	0.161



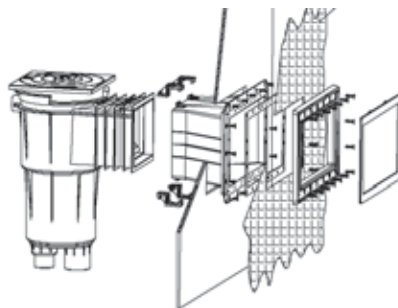
POOL SHELL EQUIPMENT



Skimmer Panel Protect inside assembly

Skimmers for panelled pools. The wide mouth is to be fixed in the inside of the panel. Each skimmer box includes the necessary glue.

	Code	Standard Packaging	Standard Weight kg	Standard Volume m ³
Skimmer Panel Protect 17.5 l wide mouth, round lid	32373	1	6.20	0.137
Skimmer Panel Protect 17.5 l wide mouth, square lid	30867	1	6.20	0.116
Adhesive for ABS	30884	25	5.05	0.129



Versions of the 17.5 litre skimmer can be supplied with extensions much longer than those previously stated. This could be of particular interest when using wider coping stones than usual.

LINER AND PREFABRICATED POOL - MAIN DRAINS

All main drains made in plastic are provided with UV protected grilles.

· According to EN 13451-1, standard, in public pools require:

- Water flow velocity 0.5 m/sec
- Maximum suction velocity 1.5 m/sec
- Minimum distance between drains: >2 m

Mini drain



Side connection with 2" female thread. Made in white ABS with grille fixed to flange. Suction velocity at grille 0.5 m/sec and max. flow rate: 11 m³/h. Bottom connection with plug or to fit the hydrostatic relief valve & drainage pipe. Slots < 8 mm. M5 threaded screws and brass inserts to secure flange and grille. Can also be used in concrete spas and lateral suction inlet.

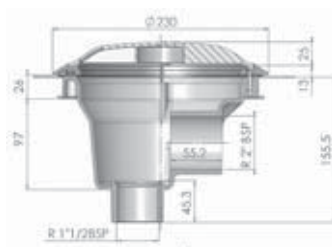
	Code	Standard Packaging	Standard Weight kg	Standard Volume m ³
Mini drain	27814	1	2.64	0.013

Circular main drain Ø 200 mm with antivortex grille



Made in ABS. Side suction connection 2" and bottom connection 1½" with knockout sockets. Bottom outlet blocked with a knock out cover that can be removed as required. Drainage pipe (21581) can be fitted. Maximum flow rate: 13 m³/h.

Code	Standard Packaging	Standard Weight kg	Standard Volume m ³
27125	1	3.543	0.028



B-B Section



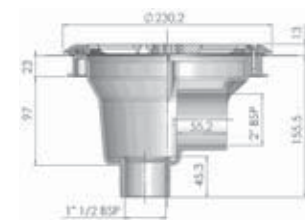
Plant view

Circular main drain Ø 200 mm with flat grille

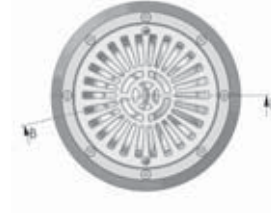


Made in white ABS. Side connection 2" and bottom connection 1½" with knockout sockets. Bottom outlet blocked with a knock out cover that can be removed as required. Drainage pipe (21581) can be fitted. Maximum flow rate: 13 m³/h.

Code	Standard Packaging	Standard Weight kg	Standard Volume m ³
27838	1	3.391	0.028



B-B Section



Plant view

LINER AND PREFABRICATED POOL - MAIN DRAINS



Drain Ø 290 mm for Liner. PARKER model

Made specially for liner pools, totally in white ABS, with self adhesive synthetic gaskets and S.S. screws. 2" side connections which can be plugged for pressure testing. 1 1/2" bottom connection with plug for fitting the hydrostatic relief valve (00277) and drainage pipe (21581). Suction velocity 0.5 m/sec. Recommended max. flow rate: 13 m³/h. Installed flush with floor bottom for total drainage.

	Code	Standard Packaging	Standard Weight kg	Standard Volume m³
	00270	4	5.71	0.044
Parker model (with self tapping screws)	07880	4	5.71	0.044



Drain Ø 210 mm with ABS grille

Side connection 2". Body and grille in white ABS, with self-adhesive gaskets, flange, and screws. Maximum flow rate: 13 m³/h.

	Code	Standard Packaging	Standard Weight kg	Standard Volume m³
	00271	4	4.0	0.028

Optional colour



Square drain 210 mm x 210 mm with ABS grille

Side connection 2". Body and grille in white ABS, with self-adhesive gaskets, flange, and screws. Maximum flow rate: 13 m³/h.

	Code	Standard Packaging	Standard Weight kg	Standard Volume m³
	00273	4	5.5	0.043



Drain with S.S. grille

Outlet with Ø 50 mm inside diameter and 63 mm outside diameter. Body in white ABS with Stainless Steel grille. With self-adhesive gaskets, flange, and screws. Maximum flow rate: 7 m³/h.

	Code	Standard Packaging	Standard Weight kg	Standard Volume m³
	00274	4	4.0	0.023



Circular drain 2" in AISI-316 S.S.

Lateral inlet 2" in AISI 316 S.S., grille fixed with screws. Includes gaskets, flange, and fixing screws. Maximum recommended flow rate: 13 m³/h.

	Code	Standard Packaging	Standard Weight kg	Standard Volume m³
Side connection 2"	00275	1	2.27	0.02
Side connection 2", bottom connection 1 1/2"	26197	1	4.23	0.04



LINER AND PREFABRICATED POOL - MAIN DRAINS



Adaptor kit for drain



For drain 00269. Includes: gaskets, flange and screws. Frame in S.S. AISI-316.

Code	Standard Packaging	Standard Weight kg	Standard Volume m ³
00276	40	9.7	0.01



Drain in polyester and fibreglass 355 mm x 355 mm



Gel-coat finish. With gaskets, flange, and screws. Slots < 8 mm. Outlet connections for glueing. With optional hydrostatic valve.

Grille in S.S. AISI-316

Solvent socket **Grille** **Flow**
outlet connection

Code	Standard Packaging	Standard Weight kg	Standard Volume m ³
20074	1	6.5	0.047
20075	1	6.5	0.047
20290	1	6.5	0.047

Recommended max. flow 33.5 m³/h (0.5 m/s)
Recommended flow 20 m³/h (0.3 m/s)

ABS grille UV protected

Solvent socket **Grille** **Flow**
outlet connection

Ø 75 mm	Plastic	18 m ³ /h	22416	1	6.5	0.047
Ø 90 mm	Plastic	27 m ³ /h	22417	1	6.5	0.047
Ø 110 mm	Plastic	42 m ³ /h	22418	1	6.5	0.047
Ø 125 mm	Plastic	45 m ³ /h	22419	1	6.5	0.047

Recommended max. flow 45 m³/h (0.5 m/s)
Recommended flow 27 m³/h (0.3 m/s)



Drain in polyester and fibreglass 515 mm x 515 mm



Gel-coat finish. With gaskets, flange, and screws. Slots < 8 mm. Outlet connections for glueing. Recommended flow 62 m³/h (0.3 m/s). Recommended max. flow 103 m³/h (0.5 m/s). With optional hydrostatic valve.

Code	Standard Packaging	Standard Weight kg	Standard Volume m ³
------	--------------------	--------------------	--------------------------------

Grille in S.S. AISI-316

Solvent socket **Grille** **Flow**
outlet connection

Ø 110 mm	AISI-316	42 m ³ /h	20076	1	1.4	0.132
Ø 125 mm	AISI-316	51 m ³ /h	20077	1	1.4	0.132
Ø 140 mm	AISI-316	66 m ³ /h	20078	1	1.4	0.132
Ø 160 mm	AISI-316	95 m ³ /h	20079	1	1.4	0.132
Ø 200 mm	AISI-316	103 m ³ /h	20291	1	1.4	0.132

ABS grille UV protected

Solvent socket **Grille** **Flow**
outlet connection

Ø 110 mm	Plastic	42 m ³ /h	28722	1	1.4	0.132
Ø 125 mm	Plastic	51 m ³ /h	28723	1	1.4	0.132
Ø 140 mm	Plastic	66 m ³ /h	28724	1	1.4	0.132
Ø 160 mm	Plastic	95 m ³ /h	28725	1	1.4	0.132
Ø 200 mm	Plastic	103 m ³ /h	28726	1	1.4	0.132

LINER AND PREFABRICATED POOL - MAIN DRAIN ACCESSORIES



Hydrostatic valve



To alleviate pressure which underground water can cause to the pool shell. We recommend fitting a hydrostatic valve & drainage tube to the main drain.

The **hydrostatic valve** screwed to the bottom of the main drain 2" outlet. Made in white ABS with screw & spring in S.S. Male thread 1 1/2".

Code	Standard Packaging	Standard Weight kg	Standard Volume m ³
00277	4	1.0	0.003



Drainage tube



Threaded connection 1 1/2" BSP for main drains 00270, 07880, 27838, 26197 and 27125. Made in ABS.

Code	Standard Packaging	Standard Weight kg	Standard Volume m ³
21581	24	3.54	0.021



Flush antivortex lid



New flush design to allow unobstructed operation of cleaners. Complies with EN 13451-1: 2000 Standard.

415 mm x 415 mm lid suitable with the following drains:

- | | |
|--------------------------|-----------------------------|
| With S.S. grille: | With plastic grille: |
| - 20074 | - 22416 |
| - 20075 | - 22417 |
| - 20290 | - 22418 |
| | - 22419 |

570 mm x 570 mm lid suitable with the following drains:

- | | |
|--------------------------|-----------------------------|
| With S.S. grille: | With plastic grille: |
| - 20076 | - 28722 |
| - 20077 | - 28723 |
| - 20078 | - 28724 |
| - 20079 | - 28725 |



Code	Standard Packaging	Standard Weight kg	Standard Volume m ³
25344	1	2.25	0.012
28556	1	3.90	0.015

415 mm x 415 mm. Height: 70 mm
570 mm x 570 mm. Height: 60 mm

LINER AND PREFABRICATED POOL - WATER LEVEL REGULATORS

Water level regulator



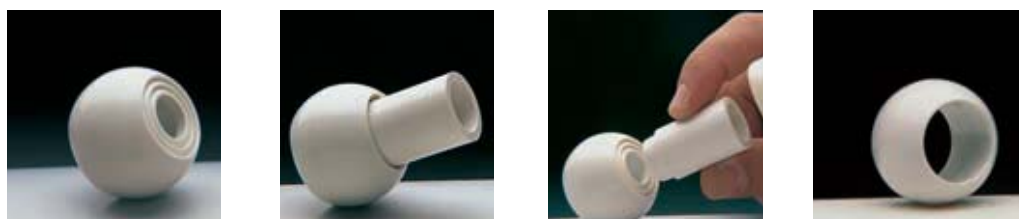
Made in ABS. With lateral or bottom connection, as required. Knockout outlets. Height and level adjustable cover. Compatible with any type of skimmer.

Code	Standard Packaging	Standard Weight kg	Standard Volume m ³
15862	1	2.0	0.016

LINER AND PREFABRICATED POOL - ABS INLETS

MULTIFLOW SYSTEM

The eyeball has been marked with a series of "knock-outs" sockets of 14 mm, 20 mm, and 25 mm, enabling the required flow to be selected at the time of installation by using the frin-punch fitting supplied. Recommended max flow velocity 4 m/sec, complies with EN 13451-1 Standard
 \varnothing 14 mm = 2.2 m³/h, \varnothing 20 mm = 4.5 m³/h, \varnothing 25 mm = 7 m³/h



Liner return inlet "Multiflow" threaded

Male thread of 2", \varnothing 50 mm solvent interior. For liner pools, white ABS plastic with gaskets and screws. Installation with wall conduits 15662 or 15663 is recommended.



Code	Standard Packaging	Standard Weight kg	Standard Volume m ³
00330	12	4.5	0.020

Liner return inlet "Multiflow" threaded, Parker model

Male thread of 2", \varnothing 50 mm inside diameter. For liner pools, white ABS plastic with gaskets and self-tapping screws. Installation with wall conduits 15664 or 15665 is recommended.



Code	Standard Packaging	Standard Weight kg	Standard Volume m ³
06498	20	4.72	0.021

Optional colour

Return inlet for prefabricated pools with liner

These inlets have a smaller exterior diameter than previous models in order to achieve superior adaptation in pools with curved walls.



Code	Standard Packaging	Standard Weight kg	Standard Volume m ³
32450	24	7.1	0.021
32451	24	6.9	0.021

Return inlet 1 1/2" BSP thread
 Return inlet \varnothing 50 mm solvent weld

Panel return "Multiflow" inlet threaded, for prefabricated pools

2" male thread and inside solvent weld \varnothing 50 mm. Made in white ABS.



Code	Standard Packaging	Standard Weight kg	Standard Volume m ³
00334	24	4.61	0.020

LINER AND PREFABRICATED POOL - ABS INLETS



Threaded return inlet "Multiflow" for prefabricated pools



2" male thread, and 1 1/2" female thread. In white ABS, with gaskets. Holes in grilles are not bigger than 8 mm, according to EN 13451-1.

Code	Standard Packaging	Standard Weight kg	Standard Volume m ³
06481	30	5.1	0.021

Return inlet "Multiflow" for panelled pools



New inlets especially designed to be installed in panelled pools between 10 and 15 cm thick. To glue to Ø 50 mm pipe. Made in white ABS, with gaskets.

Code	Standard Packaging	Standard Weight kg	Standard Volume m ³
33091	8	3.35	0.021



Adjustable return inlet



With gaskets, flanges and screws. 3 adjustable positions: (100%, 65%, 35%). Flow rate: 13.5 m³/h. Outer connection Ø 63 mm.

Code	Standard Packaging	Standard Weight kg	Standard Volume m ³
15864	12	4.2	0.02



Floor return inlet for prefabricated pool



For water return. With gaskets, flanges and screws. Adjustable flow. Max. flow rate: 12 m³/h.

Code	Standard Packaging	Standard Weight kg	Standard Volume m ³
00340	12	5.4	0.020
20139	12	5.4	0.021



Adjustable BCN 03 nozzle for liner pools



Adjustable floor inlet nozzle for swimming pools with liner. The parts affected by the glue are made of PVC, the flange and the face ring of ABS and the internal components of ABS and POM. The nozzle is installed after concreting bottom and after cutting the wall conduit. The nozzle can be adjusted up to 4°, to align them completely with the background. The nozzle ball and the wall conduit simplifies a lot the installation task. It is recommended to install the nozzle in the wall conduit (43590).

Code	Standard Packaging	Standard Weight kg	Standard Volume m ³
43586	12	2.04	0.033
43587	12	2.04	0.033
43588	12	2.04	0.033
43589	12	2.04	0.033

Metal inserts, ABS flange
 Self-tappers, ABS flange
 Metal inserts, Inox flange
 Self-tappers, Inox flange

LINER AND PREFABRICATED POOL - ABS INLETS



Wall conduit Ø 90 mm



PVC plastic wall conduit. Cutting area of 120 mm to adjust it to the wall or to the background of the pool. Ø63 or Ø75 connection as preferences

	Code	Standard Packaging	Standard Weight kg	Standard Volume m ³
Wall conduit Ø 90 / Ø63-Ø75 mm	43590	9	7.3	0.033

For nozzles:

Net'N'Clean: 43584 - 43585

BCN 03: 43586 - 43587 - 43588 - 43589

Inlet/suction nozzle for large flows: 41518 - 41519 - 41520 - 41521



3" adjustable floor inlet



Made in white ABS. With gaskets, flanges and screws. Adjustable flow by rotating the grille. Suction area: 0.015 m². Flow rate at 0.4 m/s: 20 m³/h. Max. recommended flow rate: 26 m³/h (0.5 m/s).

	Code	Standard Packaging	Standard Weight kg	Standard Volume m ³
Grille in S.S. AISI-304	08316	2	2.65	0.047
Grille in white ABS	11795	2	2.65	0.047



Floor inlet BCN03



Adjustable liner floor inlet. For glueing into PN6 and PN10 pipe. In white ABS, with self tapping screws or with metal inserts. With flange in plastic or S.S., depending on the model. Maximum flow rate 9.5 m³/h.

	Code	Standard Packaging	Standard Weight kg	Standard Volume m ³
Plastic flange with self-tappers PN6	28230	12	3.25	0.031
Plastic flange with metal inserts PN6	28231	12	3.55	0.031
S.S. flange with self-tappers PN10	28501	12	4.24	0.031
S.S. flange with metal inserts PN10	28502	12	4.54	0.031



Suction nozzle for liner pool



2" male thread, Ø 50 mm inside diameter. Made in white ABS, with cap, gaskets and screws. Recommended to be installed with wall conduit 15663.

	Code	Standard Packaging	Standard Weight kg	Standard Volume m ³
	00332	12	4.22	0.020



Suction nozzle for panelled pools



Especially designed to be installed in panelled pools between 10 and 15 cm thick. With gaskets. Connections: Inside Ø 50 mm pipe and 1½" BSP male thread.

	Code	Standard Packaging	Standard Weight kg	Standard Volume m ³
	33092	8	3.35	0.021

LINER AND PREFABRICATED POOL - ABS INLETS



Suction inlet for liner pools

Made in white ABS. With gaskets, flanges and screws. Connections: 2" male thread, Ø 50 mm inside diameter.



Code	Standard Packaging	Standard Weight kg	Standard Volume m ³
17382	20	6.0	0.020

Suction inlet for prefabricated pool

2" male thread, Ø 50 mm inside diameter. Made in white ABS, with cap thread 1 1/2".



Code	Standard Packaging	Standard Weight kg	Standard Volume m ³
00336	24	4.13	0.020

Double joint kit

Kits comprising a double joint and the screws necessary for the installation of nozzles in steel panel pools. Made of TPE, the kit enables the installation of various accessories in pool basins and protects the panelling from coming into contact with water. Easy to install. Prevents corrosion of the panelling in the moulded area.



For inlets, inserts

Code	Standard Packaging	Standard Weight kg	Standard Volume m ³
43455-0500	80	-	0.035



Inlet/suction nozzle for large flows

Inlet nozzles for large flows and they can be used as suction nozzle also. Inlet flow rate 30m³/h for a maximum water flow velocity of 4m/s according to EN 13451-1 standard. Suction flow rate 5m³/h for a maximum water flow velocity of 0.5 m/s according to EN 13451-1 standard. PVC body. Ø75 or Ø90 pipe connection. The nozzle can be installed in the wall conduit 43590. 3 models available for concrete pools, prefabricated pools and panel pools. Grilles can be oriented in any direction.



For panel pools
For prefabricated pools

Code	Standard Packaging	Standard Weight kg	Standard Volume m ³
41518	10	5.50	0.021
41521	12	4.20	0.021

Suction inlet for prefabricated pool

2" male thread, 1 1/2" female thread. Made in white ABS.



Code	Standard Packaging	Standard Weight kg	Standard Volume m ³
06484	30	4.3	0.021

LINER AND PREFABRICATED POOL - ABS INLETS

Hydromassage kit



Made of a return inlet and wall conduit fitted with an air inlet and a venturi. Two wall conduit lengths available. Ø 50 mm water connection pipe and Ø 20 mm air suction pipe.

Hydromassage kit for fibreglass pools:

Length of wall conduit 190 mm

Length of wall conduit 275 mm

Hydromassage kit for prefabricated pools with liner:

Length of wall conduit 190 mm

Length of wall conduit 275 mm

Code	Standard Packaging	Standard Weight kg	Standard Volume m ³
32114	12	3.5	0.021
32384	10	3.4	0.021
32115	12	3.5	0.021
32385	8	3.5	0.021

LINER AND PREFABRICATED POOL - S.S. INLETS

Return inlet for liner pool



1½" male thread. Made of S.S. AISI-316. Ø 20 mm eyeball. With gaskets and screws. Recommended flow rate: 4.5 m³/h.

Code	Standard Packaging	Standard Weight kg	Standard Volume m ³
16327	1	0.5	0.001

Pool wall conduit adapter



1½" male thread. Made in S.S. AISI-316. To convert a concrete pool conduit into a prefabricated one. To be used with S.S. inlet 16331.

Code	Standard Packaging	Standard Weight kg	Standard Volume m ³
26171	1	0.2	0.001

Return inlet for liner pool



Made in S.S. AISI-316. Can be used with wall conduits 00344, 00345 and panel adapter 26171. Supplied with gaskets and screws. Ø 20 mm eyeball blocked with screws. Recommended flow rate: 4.5 m³/h.

Code	Standard Packaging	Standard Weight kg	Standard Volume m ³
16331	1	0.3	0.001

LINER AND PREFABRICATED POOL - S.S. INLETS



Adjustable pool floor return inlet



2" male thread. Made in S.S. AISI-316. Can be installed both in concrete as well as prefabricated pools. Water flow may be adjusted with the central screw. Max. recommended flow rate: 14 m³/h, complies with EN 13451-3 Standard.

Code	Standard Packaging	Standard Weight kg	Standard Volume m ³
15839	1	0.9	0.002

Suction nozzle for liner pool



Made in S.S. AISI-316, with gaskets, flange and screws. With 1 1/2" BSP male thread.

Code	Standard Packaging	Standard Weight kg	Standard Volume m ³
16330	1	0.5	0.001

LINER AND PREFABRICATED POOL - WALL CONDUITS

New range of 300 mm long conduits for Ø 2" inlets and "Multiflow" that can be easily cut to different lengths depending on pool wall thickness. Made in ABS. The flange rib has 2 holes for positioning inside the pool shell. The front face of the conduit is recessed which means the inlet body is installed flush with the wall leaving the liner flat and only the inlet face plate visible.

Rear 2" male thread and Ø 50 mm inside solvent socket



2" front female thread return for 2" male thread

2" front female thread exclusively for inlet 06498

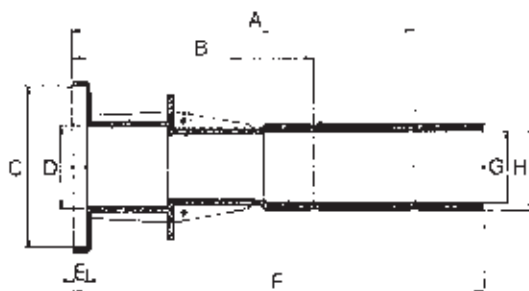
Code	Standard Packaging	Standard Weight kg	Standard Volume m ³
15663	12	4.0	0.040
15664	14	4.2	0.040

LINER AND PREFABRICATED POOL - WALL CONDUITS

Rear outside \varnothing 63 mm and inside \varnothing 50 mm to glue

2" front female thread return
for 2" male threading
2" front female thread
exclusively for inlet 06498

Code	Standard Packaging	Standard Weight kg	Standard Volume m ³
15662	12	5.0	0.040
15665	14	5.4	0.040



Dimensions	Models			
	15663	15664	15662	15665
A	250	250	250	250
B	175	175	175	175
C	\varnothing 118.5	\varnothing 84	\varnothing 118.5	\varnothing 84
D	2"	2"	2"	2"
E	10	24	10	24
F	300	300	300	300
G	\varnothing 50	\varnothing 50	\varnothing 50	\varnothing 50
H	2"	2"	\varnothing 63	\varnothing 63

PVC wall conduits



PVC grey colour.

150 mm length:
2" male thread + inside \varnothing 50 mm.
2" female thread

300 mm length:
Connection 2" female and male thread

2" male thread rear connection and inside connection for 33684 "MINI" light

2" male thread + inside \varnothing 50 mm + female thread 1 1/2"

2" male thread + inside \varnothing 50 mm.
Inside \varnothing 50 mm special
for 00289, 07957, 00304, 00305 and 00306 inlets.

Code	Standard Packaging	Standard Weight kg	Standard Volume m ³
00322	12	3.0	0.011
00323	6	3.0	0.011
00324	6	3.0	0.011
00325	6	3.0	0.011
00326	6	3.0	0.011

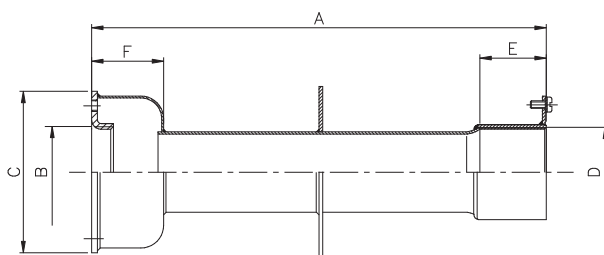
Stainless Steel wall conduits



Made in S.S. AISI-304. Both ends with 1 1/2" female threads. Earth connection. For inlet 16331.

Length 240 mm
Length 340 mm

Code	Standard Packaging	Standard Weight kg	Standard Volume m ³
00344	1	0.7	0.003
00345	1	0.9	0.005



Dimensions	Models	
	00344	00345
A	240	340
B	1 1/2"	1 1/2"
C	85	85
D	1 1/2"	1 1/2"
E	35	35
F	38	38

FILTRATION



- 124 • Retro-fit filter combination units
- 126 • Diatomaceous earth filters
- 128 • Cartridge filters
- 129 • Hydrocyclonic pre-filter
- 130 • Injection moulded sand filters
- 131 • Blow-moulded sand filters
- 133 • Laminated filters
- 140 • AstralPool Signature laminated filters
- 145 • Bobbin wound filters
- 147 • Filter codification for commercial filters
- 175 • Multiport valves
- 184 • Valve manifold
- 186 • Control panel
- 187 • Supports for valve manifold
- 188 • Compact filtration housings
- 189 • Air vents
- 190 • Filtration media & accessories
- 191 • Pressure gauge panels and Air blowers

RETRO-FIT FILTER COMBINATION UNITS



Made of heat-moulded ABS, and high quality acrylic finish and advanced design. Specially designed to install in all types of private pools, whether concrete or prefabricated. The compact unit saves the traditional pipework assembly.

The Combo II unit consist of two separate parts:

- 1) The first part is designed for installation inside the pool and contains the skimmer, return and suction inlets, an underwater light is optional.
- 2) The second part incorporates the pump, filtration equipment, control box and depending on model type, chlorinator, electric heater and transformer for the light. It also includes water discharge connection for backwashing and drainage plug.

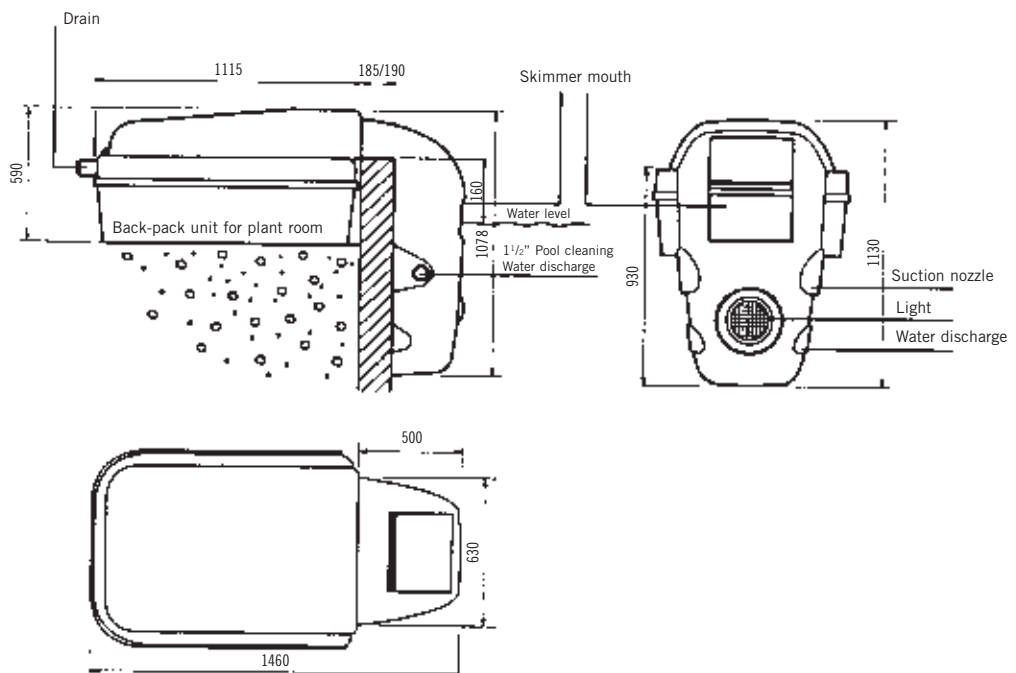
The unit can be installed as a compact unit (being adaptable to any type of pool with a wall thickness of 180 mm to 300 mm) or as a split unit installing the filtration part in a convenient spot not more than 3.5 m away.



Combo II

With Terra 50 cartridge filter with maximum flow 10 m³/h, Sena pump 3/4 HP, 100 W light and programmable control box. An electric heater and chlorinator can also be incorporated. One single filter replaces the three used in Combo I. Improved return of water to pool. This Combo II can also be installed as one compact unit or can be installed as 2 separated parts.

	Code	Standard Packaging	Standard Weight Kg	Standard Volume m ³
White cartridge filter, 10 m ³ /h flow	27413	1	79	1.41



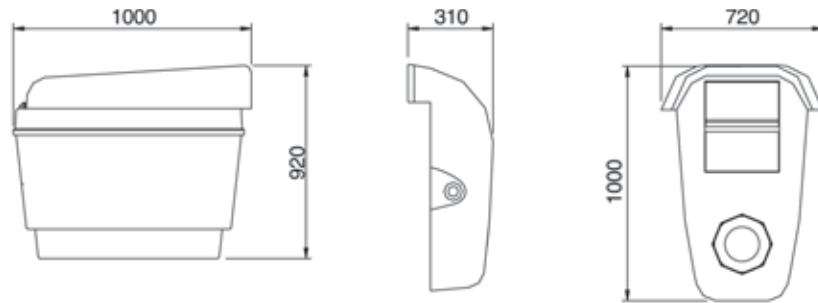
RETRO-FIT FILTER COMBINATION UNITS



Mini Combo with lighting system

Made of heat-moulded ABS, and high quality acrylic finish with advanced design. Includes a 3/4 HP pump, a 500 mm sand filter with multiport valve and control box. It also includes water discharge nozzle and drainage plug. This arrangement allows it to be adapted to any pool basin with a wall thickness between 180 and 300 mm. It can also be installed as a split system, using 25900 adapter unit, and placing the filtration section away from the pool in a convenient place but not more than 3.5 m away. It also includes a 100 W, 12 V underwater light with transformer.

Code	Standard Packaging	Standard Weight Kg	Standard Volume m ³
22440	1	95	1.460



Streamlined covers for Mini-Combo

Includes front covers and cover for filtration unit.



Code	Standard Packaging	Standard Weight Kg	Standard Volume m ³
25900	1	1	0.062

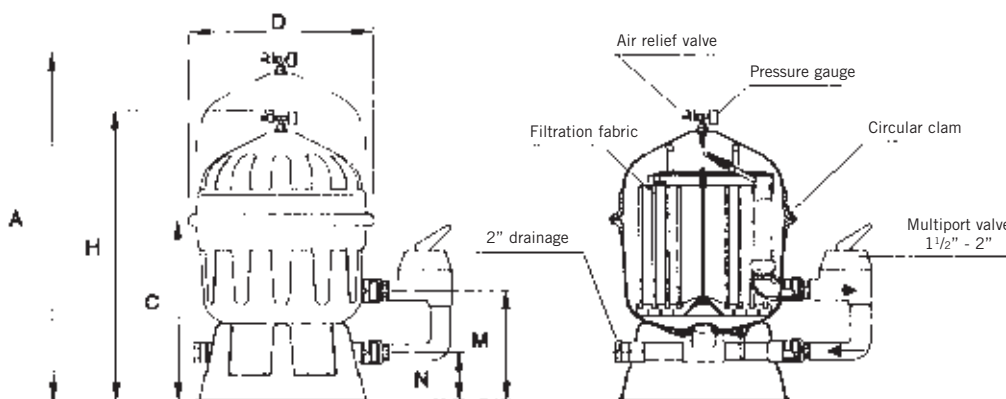
DIATOMACEOUS EARTH FILTERS

Diatomaceous earth Clarity filters



Made in polyester and fibreglass. Supplied with pressure gauge, air vent and side mounted multiport valve. Filtration velocity 4.9 m³/h/m².

	Code	Standard Packaging	Standard Weight Kg	Standard Volume m ³
11000 l/h Ø 600 mm Outlet 1½" Model DE-24	11619	1	34.0	0.410
16400 l/h Ø 600 mm Outlet 1½" Model DE-36	11620	1	39.0	0.460
21800 l/h Ø 600 mm Outlet 2" Model DE-48	11621	1	44.0	0.550
27300 l/h Ø 600 mm Outlet 2" Model DE-60	11622	1	48.0	0.610



Code	H	D	M	C	N	A
11619	930	610	420	675	190	1230
11620	1080	610	420	675	190	1380
11621	1230	610	420	825	190	1530
11622	1400	610	420	825	190	1900

Code	11619	11620	11621	11622
Filtration area m ²	2.2	3.3	4.5	5.6
Diatomaceous earth weight kg	1.4	2.3	3.2	4.1
Maxi. working pressure kg /cm ²	2.5	2.5	2.5	2.5

Dimensions in mm.

Multiport valve for Clarity filter

This valve is valid only for the diatomaceous earth filter "Clarity".

	Code	Standard Packaging	Standard Weight Kg	Standard Volume m ³
For D.E. filter 1½" with filter connections (config. 2)	15385	6	15.5	0.079
For D.E. filter 2" with filter connections (config. 2)	15389	6	22.7	0.158

Consult valve variations on page 175

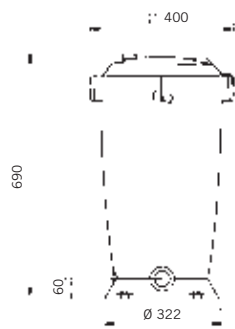


DIATOMACEOUS EARTH FILTERS

Diatomaceous earth collector



To collect waste diatomaceous earth from filter. Made of PP & PVC.



Code	Standard Packaging	Standard Weight Kg	Standard Volume m ³
20127	1	9.5	0.112



Diatomaceous earth Celatom FW-60

Approx. 20 Kg bags.

Code	Standard Packaging	Standard Weight Kg	Standard Volume m ³
03247	1	20	0.60



Diatomaceous earth Celite 545

Marine fossils with diverse shapes that help retention of suspended particles. This feature increases its performance. Approx. 20 kg bags.

Code	Standard Packaging	Standard Weight Kg	Standard Volume m ³
03246	1	23	0.60



Cartridge filters, Terra series

Made of PP and fibreglass. Fitted with pressure gauge and manual air vent. High filtration capacity. Easy maintenance. 1 1/2" outlet. Filtration velocity 1.8 m³/h x m² of filtration cloth. Maximum working pressure: 2.5 Kg/cm².

- Terra 50.** Recommended flow. 8.4 m³/h
Filtration surface: 4.7 m²
- Terra 75.** Recommended flow. 12.5 m³/h
Filtration surface: 7 m²
- Terra 100.** Recommended flow. 16.5 m³/h
Filtration surface: 9.3 m²
- Terra 150.** Recommended flow. 25 m³/h
Filtration surface: 14 m²

Code	Standard Packaging	Standard Weight Kg	Standard Volume m ³
18218	1	7.5	0.086
18219	1	8.8	0.100
18112	1	9.7	0.120
18220	1	11.2	0.130

Code	A
18218	450
18219	570
18112	690
18220	810



CARTRIDGE FILTERS

Viron cartridge filter



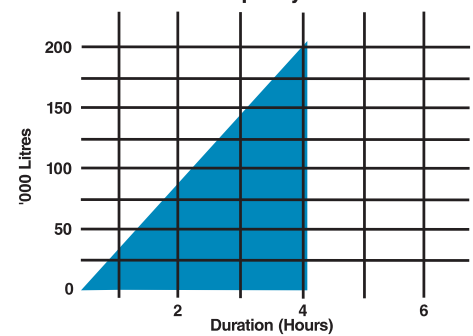
Viron CL 400
Viron CL 600

	Code	Standard Packaging	Standard Weight Kg	Standard Volume m ³
	43429	1	48	0.252
	43430	1	50	0.355

Model	Filtration area	Max Flow l/min	Weight	Dimension A	Dimension B
Viron CL 400	38	800	48	734	586
Viron CL 600	57	800	50	1034	586



Turnover Capacity CL 400 & 600

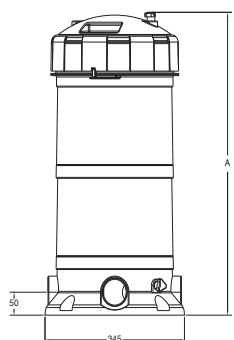


ZX Cartridge Filters



High quality cartridge element for long life filtration, suitable for spa temperatures. Complete with quality pressure gauge and 63 mm water connections.

	Code	Standard Packaging	Standard Weight Kg	Standard Volume m ³
ZX 50. Recommended flow 13.5 m ³ /h. Filtration surface 4.7 m ²	41331	1	7.00	0.075
ZX 75 - Recommended flow 17.4 m ³ /h. Filtration surface 7.0 m ²	41332	1	8.00	0.075
ZX 100 - Recommended flow 22.5 m ³ /h. Filtration surface 9.4 m ²	41333	1	15.50	0.101
ZX 150 - Recommended flow 26.7 m ³ /h. Filtration surface 14.0 m ²	41334	1	16.50	0.101
ZX 200 - Recommended flow 29.4 m ³ /h. Filtration surface 19.0 m ²	41335	1	24.00	0.127
ZX 250 - Recommended flow 30.9 m ³ /h. Filtration surface 24.0 m ²	41336	1	25.00	0.127



Model	"A" dim (mm)
ZX 50	465
ZX 75	465
ZX 100	700
ZX 150	700
ZX 200	1160
ZX 250	1160



HYDROCYCLONIC PRE-FILTER

Hydrospin & Hydrospin Compact

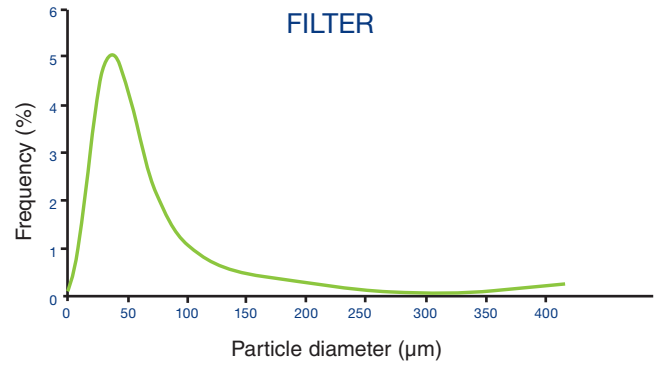
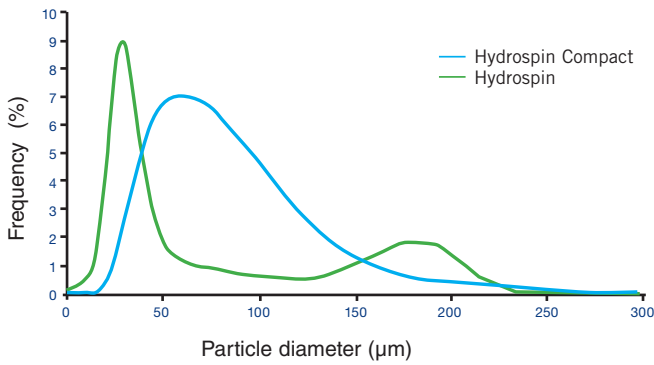
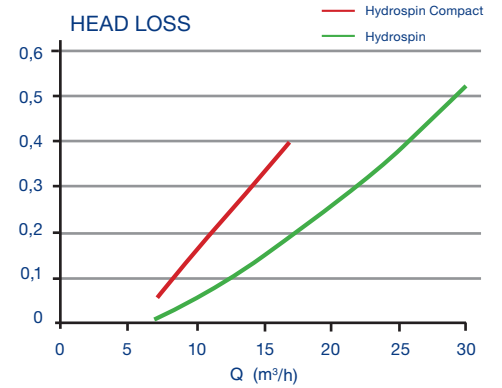


Hydrocyclone pre-filters can be fitted to filtration systems in both new and old installations. Hydrospin is able to treat flows up to 30 m³/h with a maximum working pressure of 2.5 bars. It is fitted between the pump and the filter and separates out solids of up to 40 micron, thus reducing by half the amount of water consumed for cleaning the filtration system. HydroSpin has a device for collecting solids with three separate areas (settling, clarifying and clouding). It can be cleaned using just five litres of water without having to stop the pump.



	Code	Standard Packaging	Standard Weight Kg	Standard Volume m ³
Hydrospin	45289	1	7.8	0.088
Hydrospin Compact	53743 	1	4.0	0.033
Kit for wall installation	47158 	4	4.2	0.117

	45289	53743
Working pressure (bar)	2,5	2,5
Connections	Ø 63	Ø 50 thread 2 1/4"
Purge connection	1"	3/4"
Min. flow rate (m ³ /h)	5	3
Max. flow rate (m ³ /h)	30	16,5
Water for cleaning (l)	5	15
Separate solids (micron)	40	60
Floor support	Included	
Wall support	Accessory 47158	Included



INJECTION MOULDED SAND FILTERS

Ivory colour. Injected thermo-plastic shell with built in base. Top and bottom parts are thermally welded. Supplied with pressure gauge, manual air vent, water purge, and multiport valve. Maximum filtration velocity: 50 m³/h/m². Maximum working pressure: 2.5 Kg/cm².

Top mounted Cantabric filter

Top mounted multiport valve. Threaded filter locking ring in ABS.



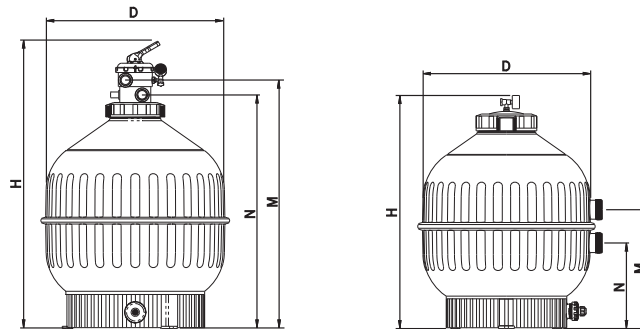
	Code	Standard Packaging	Standard Weight Kg	Standard Volume m ³
6000 l/h Ø 400 mm outlet 1½"	22399	1	10.7	0.23
9000 l/h Ø 500 mm outlet 1½"	15780	1	17.5	0.37
14000 l/h Ø 600 mm outlet 1½"	15781	1	19.9	0.49
21000 l/h Ø 750 mm outlet 1½"	20128	1	30.4	0.83
21000 l/h Ø 750 mm outlet 2"	23866	1	32.1	0.83

Side mounted Cantabric filter

Clear lid & threaded locking ring in ABS, supplied with side mounted multiport valve.



	Code	Standard Packaging	Standard Weight Kg	Standard Volume m ³
With multiport side valve				
6.000 l/h Ø 400 mm outlet 1½"	22398	1	9.0	0.15
9.000 l/h Ø 500 mm outlet 1½"	15782	1	15.8	0.29
14.000 l/h Ø 600 mm outlet 1½"	15783	1	17.8	0.40
21.000 l/h Ø 750 mm outlet 2"	15784	1	29.0	0.67
30.000 l/h Ø 900 mm outlet 2½"	22402	1	49.0	1.30
POSSIBILITY WITHOUT MULTIPORT VALVE				



	Top mounted					Side mounted				
	22399	15780	15781	20128	23866	22398	15782	15783	15784	22402
Ø D (mm)	400	500	600	750	750	400	500	600	750	900
H (mm)	894	1009	1069	1239	1250	715	800	875	1045	1215
M (mm)	744	829	894	1064	1098	380	415	445	575	675
N (mm)	680	765	830	1000	1023	255	290	320	345	405
Connections	1½"	1½"	1½"	1½"	2"	1½"	1½"	1½"	2"	2½"
Flow rate m ³ /h	6	9	14	21	21	6	9	14	21	30
Approx. pool volume (m ³) (8 hours)*	48	72	112	168	168	48	72	112	168	240
Sand, kg	60	100	150	300	300	60	100	150	300	550
Net weight, kg	8	14	15	23	25	7	12	14	24	34
Package volume m ³	0.2	0.37	0.49	0.83	0.83	0.15	0.29	0.4	0.67	1.3

Fitted with sand dump port of Ø 2" in Ø 750 mm & Ø 900 mm models, and of 1½" in Ø 400, Ø 500 & Ø 600 mm models

* 8 hours turnover rate

BLOW-MOULDED SAND FILTERS

One piece blow-moulded filters made of plastic With threaded lid, multiport valve, pressure gauge, manual air vent and water purge. Ivory colour. Maximum working pressure: 2.5 Kg/cm² for filters Ø 380 mm, Ø 430 mm & Ø 480 mm, & 2 Kg/cm² for filter Ø 560 mm & Ø 660 mm.

Millennium filters with Top mounted valve

Maximum filtration velocity: 50 m³/h/m².



	Code	Standard Packaging	Standard Weight Kg	Standard Volume m ³
Ø 380 mm - 5500 l/h outlet 1 1/2"	27811	1	13.0	0.17
Ø 430 mm - 7000 l/h outlet 1 1/2"	22407	1	14.0	0.17
Ø 480 mm - 9000 l/h outlet 1 1/2"	22408	1	16.0	0.24
Ø 560 mm - 12000 l/h outlet 1 1/2"	22409	1	17.0	0.35
Ø 660 mm - 17000 l/h outlet 1 1/2"	28253	1	24.5	0.52

Millennium filters with side mounted valve

Maximum filtration velocity: 50 m³/h/m².



	Code	Standard Packaging	Standard Weight Kg	Standard Volume m ³
Ø 380 mm - 5500 l/h outlet 1 1/2"	27809	1	10.5	0.13
Ø 430 mm - 7000 l/h outlet 1 1/2"	25296	1	13.0	0.13
Ø 480 mm - 9000 l/h outlet 1 1/2"	25297	1	16.0	0.18
Ø 560 mm - 12000 l/h outlet 1 1/2"	25298	1	18.0	0.26
Ø 660 mm - 17000 l/h outlet 1 1/2"	28252	1	29.0	0.42

Millennium model monobloc with top mount MPV

Threaded locking ring, top mount.



	Code	Standard Packaging	Standard Weight Kg	Standard Volume m ³
Ø 380 mm - Sena 1/3 HP 230 V II	27805	1	27.0	0.33
Ø 430 mm - Sena 1/3 HP 230 V II	23342	1	27.0	0.33
Ø 480 mm - Sena 1/2 HP 230 V II	23343	1	31.0	0.43
Ø 560 mm - Sena 3/4 HP 230 V II	23344	1	35.0	0.50
Ø 660 mm - Sena 1.25 HP	28299	1	41.0	0.59

Millennium model monobloc with side mount MPV

Threaded cover, side mount.



	Code	Standard Packaging	Standard Weight Kg	Standard Volume m ³
Ø 380 mm - Sena 1/3 HP 230 V II	27804	1	28.0	0.33
Ø 430 mm - Sena 1/3 HP 230 V II	23348	1	28.0	0.33
Ø 480 mm - Sena 1/2 HP 230 V II	23349	1	31.0	0.43
Ø 560 mm - Sena 3/4 HP 230 V II	23350	1	35.0	0.50
Ø 660 mm - Sena 1.25 HP	28301	1	41.0	0.59

BLOW-MOULDED SAND FILTERS

Millennium filters

Top mounted



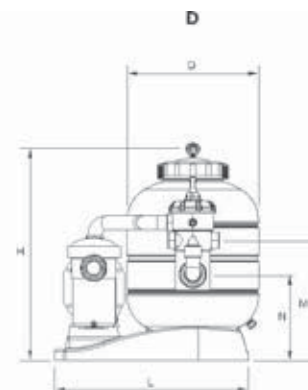
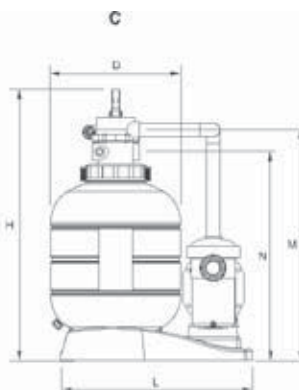
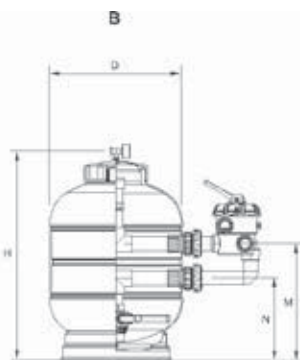
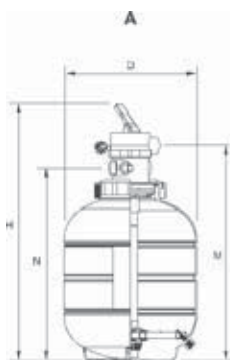
Side mounted



Top mounted monobloc



Side mounted monobloc



	A - Top mounted					B - Side mounted					C - Top mounted monobloc					D - Side mounted monobloc				
	27811	22407	22408	22409	28253	27809	25296	25297	25298	28252	27805	23342	23343	23344	28299	27804	23348	23349	23350	28301
Ø D (mm)	380	430	480	560	660	380	430	480	560	660	380	430	480	560	660	380	430	480	560	660
H (mm)	895	875	920	995	1160	675	715	742	830	960	905	955	975	1055	1125	685	735	745	830	962
M (mm)	725	735	780	855	920	385	395	420	460	570	735	815	835	915	990	390	415	410	460	570
N (mm)	660	655	700	775	850	260	270	295	335	510	670	735	755	815	925	265	290	285	335	510
Length L (mm)	-	-	-	-	-	-	-	-	-	-	710	715	835	835	835	710	715	835	835	835
Connections	1 1/2"	1 1/2"	1 1/2"	1 1/2"	1 1/2"	1 1/2"	1 1/2"	1 1/2"	1 1/2"	1 1/2"	1 1/2"	1 1/2"	1 1/2"	1 1/2"	1 1/2"	1 1/2"	1 1/2"	1 1/2"	1 1/2"	1 1/2"
Flow rate m ³ /h	5.5	7	9	12	17	5.5	7	9	12	17	5.5	7	9	12	17	5.5	7	9	12	17
Approx. pool volume m ³	up to 40	40-50	50-75	75-100	140	up to 40	40-50	50-75	75-100	140	up to 40	40-50	50-75	75-100	140	up to 40	40-50	50-75	75-100	140
Sand, kg	40	60	85	135	250	40	60	85	135	250	40	60	85	135	250	40	60	85	135	250
Maxi working pressure kg/cm ²	2.5	2.5	2.5	2	2	2.5	2.5	2.5	2	2	2.5	2.5	2.5	2	2	2.5	2.5	2.5	2	2
Net weight kg	13	14	16	17	24.5	10.5	13	16	18	29	27	27	31	35	41	28	28	31	35	41
Package volume m ³	0.17	0.17	0.24	0.35	0.52	0.13	0.13	0.18	0.26	0.42	0.33	0.33	0.43	0.50	0.59	0.33	0.33	0.43	0.50	0.59

	Millennium / Sena				
Side monobloc	27804	23348	23349	23350	28301
Top monobloc	27805	23342	23343	23344	28299
Ø (mm)	380	430	480	560	660
Pump	Sena	Sena	Sena	Sena	Sena
Power (HP)	1/3	1/3	1/2	3/4	1.25
Voltage (V)	230 II	230 II	230 II	230 II	230 II
Frequency (Hz)	50	50	50	50	50

LAMINATED FILTERS

Aster filters

Laminated fibreglass filter with fibreglass. Grey colour, with new boltless lid and polypropylene base. Fitted with pressure gauge, water drainage plug, and multiport valve. Maximum working pressure: 2.5 kg/cm². Maximum filtration velocity 50 m³/h/m².



With top mounted multiport valve

- 5000 l/h Ø 350 mm outlet 1½"
- 8000 l/h Ø 450 mm outlet 1½"
- 9000 l/h Ø 500 mm outlet 1½"
- 14000 l/h Ø 600 mm outlet 1½"
- 15000 l/h Ø 650 mm outlet 1½"
- 21000 l/h Ø 750 mm outlet 2"
- 32000 l/h Ø 900 mm outlet 2"

With side mounted multiport valve

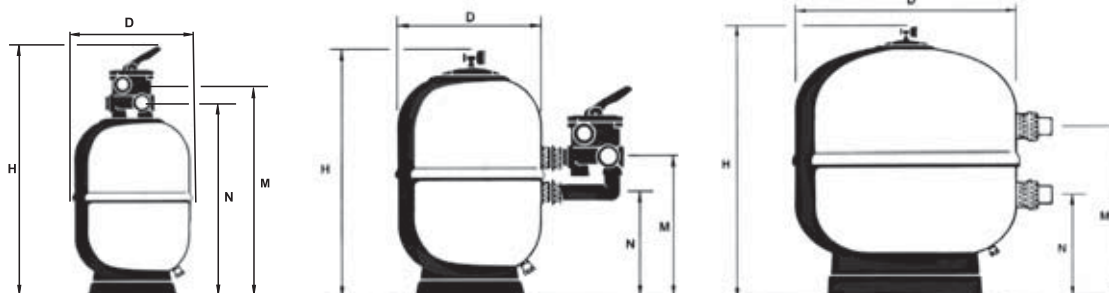
- 5000 l/h Ø 350 mm outlet 1½"
- 8000 l/h Ø 450 mm outlet 1½"
- 9000 l/h Ø 500 mm outlet 1½"
- 12000 l/h Ø 550 mm outlet 1½"
- 14000 l/h Ø 600 mm outlet 1½"
- 15000 l/h Ø 650 mm outlet 1½"
- 21000 l/h Ø 750 mm outlet 2"
- 25000 l/h Ø 800 mm outlet 2"
- 32000 l/h Ø 900 mm outlet 2"
- 35000 l/h Ø 950 mm outlet 2"

Without multiport valve

- 31000 l/h Ø 900 mm outlet 2½"

Code	Standard Packaging	Standard Weight Kg	Standard Volume m ³
30768	1	17	0.16
30769	1	20	0.27
30770	1	22	0.30
30771	1	27	0.46
30772	1	33	0.52
33847	1	38	0.74
33848	1	72	1.49
With side mounted multiport valve			
00497	1	12.5	0.110
00498	1	15.5	0.160
19781	1	18.0	0.265
32706	1	20.0	0.265
00499	1	21.0	0.320
21071	1	32.0	0.472
00500	1	31.0	0.570
40964	1	-	-
08133	1	-	-
40965	1	-	-
Without multiport valve			
00501	1	65.0	1.250

Optional: working pressure 4 bars



	With Top mounted multiport valve							With side mounted multiport valve							Without valve	
	30768	30769	30770	30771	30772	33847	33848	00497	00498	19781	32706	00499	21071	28479	00500	00501
Ø D mm	350	450	500	600	650	750	900	350	450	500	550	600	650	680	750	900
H mm	910	965	960	1005	1060	1184	1344	780	795	770	825	850	880	915	945	1050
M mm	740	795	790	835	890	973	1133	420	430	415	455	455	480	525	555	660
N mm	680	785	730	775	830	897	1057	295	305	290	330	330	355	400	325	390
Connections	1½"	1½"	1½"	1½"	1½"	2"	2"	1½"	1½"	1½"	1½"	1½"	1½"	1½"	2	2½"
Flow rate m ³ /h at 50m ³ /h/m ²	5	8	9	14	15	21	31	5	8	9	12	14	15	18	21	30
Pool (volume) m ³ (8 hours)	40	64	72	112	120	168	240	40	64	72	96	112	120	144	168	240
Sand kg	50	70	90	110	200	290	500	50	70	90	110	125	200	290	210	500
Maxi working pressure kg/cm ²	2.5	2.5	2.5	2.5	2.5	2.5	2.5	2.5	2.5	2.5	2.5	2.5	2.5	2.5	2.5	2.5
Net weight kg	17	20	22	27	33	38	72	12.5	15.5	18	20	21	24	26	30	51
Packaging volume m ³	0.16	0.27	0.30	0.46	0.52	0.74	1.49	0.13	0.18	0.26	0.36	0.36	0.44	0.69	0.6	1.03

LAMINATED FILTERS



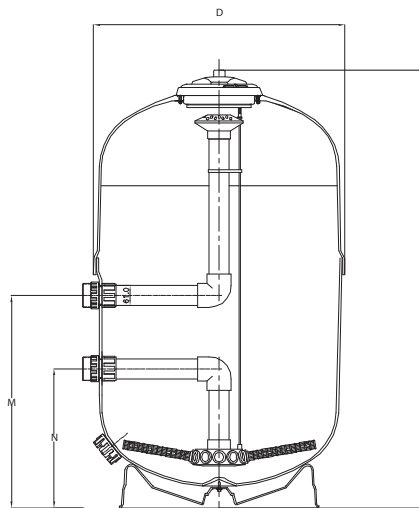
New

Aster filter - high quality of filtration

- The filters are manufactured with polyester resin and fibreglass.
- The highness filtering layer is of 0,8m, That gives a mayor quality of filtration than the residential filter this increases the capacity witholding the litle particles.
- Prolongs the time saturation filtration of the layers saving energy consumption, water consumption and chemical products.
- The filter can be used as a single layer or multi layer combine sand with gravel, glass or antracite.
- Fast opening lid.
- Sand drain of 2 1/2" in the bottom part of the filter.
- Optional sand drain D. 200 mm.
- Maximum pressure 2.5 Bar
- Optional interior finishing with vinylester for ozone treatment.
- Maximum temperature of 40°.

	Code	Standard Packaging	Standard Weight Kg	Standard Volume m ³
Ø 500 mm output 1 1/2"	24768-0100	1	-	-
Ø 600 mm output 1 1/2"	24769-0100	1	-	-
Ø 750 mm output 2"	24770-0100	1	-	-
Ø 900 mm output 2"	10003-0100	1	-	-
Ø 900 output 2 1/2"	10004	1	-	-

	24768-0100	24769-0100	24770-0100	10003-0100	10004
Ø D mm	500	600	750	900	900
H mm	1365	1370	1435	1400	1435
M mm	605	605	665	825	865
N mm	480	480	435	595	595
Connections	1 1/2"	1 1/2"	2"	2"	2 1/2"
Flot rate m ³ /h at 50 m ³ /h/m ²	9.5	16.5	21	31	
Pool volume m ³	75	120	175	250	
Gravel kg	16	35	65	135	
Sand kg	200	300	450	580	
Working pressure kg/cm ²	2.5	2.5	2.5	2.5	2.5
Net weight kg	30	40	60	90	
Package volume m ³	0.59	0.59	0.89	-	-



Filtration bed 1 m

LAMINATED FILTERS

Artic filter

New range of high filtration sand filters with diameters Ø500, 650, 800, 950, 1050, 1200 mm. Filter of sand of great quality with a high efficiency of cleaning manufactured in polyester with external finish in gel-coat, by spraying. Body with only two parts. Sand high 1m. Maximun working pressure of 2,5 Kg/cm². Maximun working temperature 50°C. Internal components made of plastic PVC. Excellent external finishing with gel-coat. Internal coating with white gel-coat. Filter color Ivory. Filled union between the top and bottom filter part with silicone for a optim finished. Optional sight-glass. Manual water drain 1" in Ø500, 650, 800, 950 and 2 1/2" in Ø1050 and 1200 and 2 1/2" in Ø1050 and 1200. Manual air drain. Lid in injected plastic of Ø200mm in 500, 650, 800, 950, and of Ø400 in 1050 and 1200. Sand discharge lid Ø200mm in the bottom of the filter. (optional Ø400 in 1050 and 1200). Ø 650,800,950,1050 and 1200 available in collector arms or nozle plate.



In collector arms

	Code	Standard Packaging	Standard Weight Kg	Standard Volume m ³
Ø 500 mm connection 1 1/2"	34029-0100	1	70.0	-
Ø 650 mm connection 1 1/2"	34030-0100	1	85.0	-
Ø 800 mm connection 2"	34031-0100	1	115.0	-
Ø 950 mm connection 2 1/2"	41187	1	140.0	-
Ø 1050 mm connection 3"	41188	1	180.0	-
Ø 1200 mm connection 4"	41189	1	210.0	-

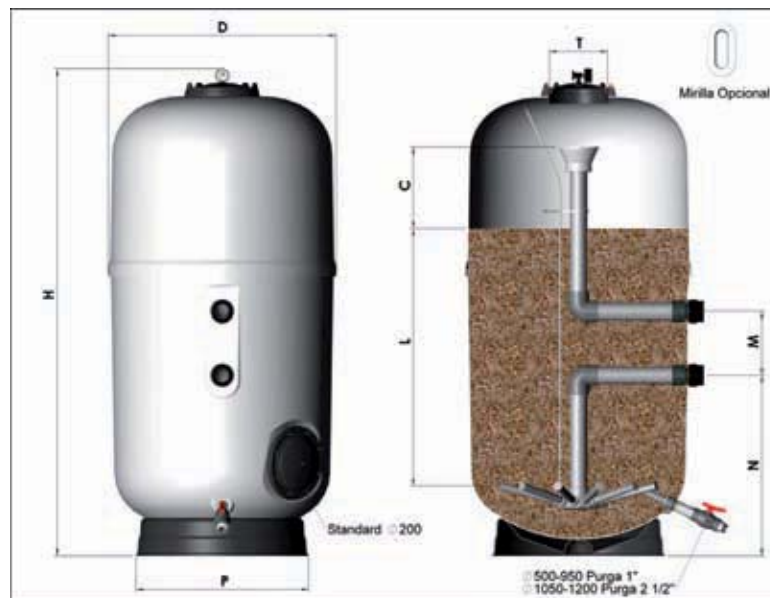


Nozzle plate detail

	34029	34030	34031	41187	41188	41189
Ø D mm	500	650	800	950	1050	1200
H mm	1650	1700	1750	1760	1895	1970
M mm	125	125	230	270	270	270
N mm	780	775	685	655	630	665
L mm	1000					
C mm	300					
P mm	400	490	625	705	775	940
T mm	200			400		
Connections	1 1/2"	1 1/2"	2"	2 1/2"	3"	4"
Flow m ³ /h	9.5	16.5	25	35	43	56.5
Filtering surface m ²	0.19	0.33	0.50	0.70	0.86	1.13
Sand kg	225	380	530	830	1015	1360
Gravel kg	50	100	165	260	320	410
Working pressure kg/cm ²	2.5	2.5	2.5	2.5	2.5	2.5
Net weight kg	70	85	115	140	180	210



Collector arms detail



Filtration bed 1.2 m

LAMINATED FILTERS



Artic Plus filter

New range of high filtration sand filters with diameters Ø650, 800, 950, 1050, 1200 mm. This filters are manufactured by spraying on layers of polyester resin and fiber glass strands. Body with only two parts. Sand high 1,2 m. Maximun working pressure of 2,5 Kg./cm². Maximun working temperature 50°C. Internal components made of plastic PVC. Excellent external finishing with gel-coat. Internal coating with white gel-coat.. Filter color Ivory. Filled union between the top and bottom filter part with silicone for a optim finished. Optional sight-glass. Manual water drain 1" in Ø650, 800, 950 and 2 1/2" in Ø1050 and 1200. Manual air drain. Lid in injected plastic of Ø200mm in 650, 800, 950, and of Ø400 in 1050 and 1200. Sand discharge lid Ø200mm in the bottom of the filter (optional Ø400 in 1050 and 1200). Ø 650,800,950,1050 and 1200 available in colector arms or nozle plate.

	Code	Standard Packaging	Standard Weight Kg	Standard Volume m ³
--	------	--------------------	--------------------	--------------------------------

In colector arms:
 Ø 650 mm connection 1 1/2"
 Ø 800 mm connection 2"
 Ø 950 mm connection 2 1/2"
 Ø 1050 mm connection 3"
 Ø 1200 mm connection 4"

	36053-0100	1	105.0	-
	36054-0100	1	135.0	-
	41373	1	160.0	-
	36055	1	200.0	-
	36056	1	230.0	-

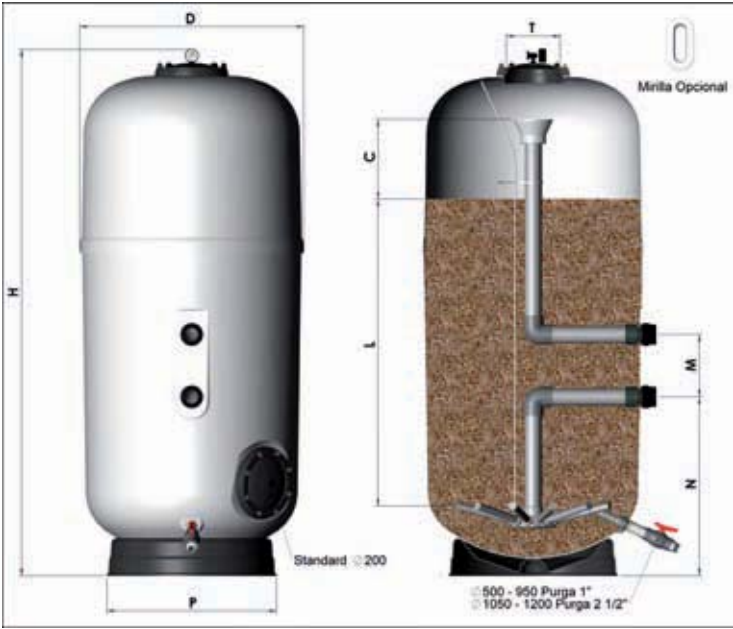


Nozzle plate detail

	36053	36054	41373	36055	36056
Ø D mm	680	825	970	1090	1255
H mm	1900	1950	1960	2145	2170
M mm	125	230	270	270	270
N mm	730	670	665	665	665
L mm	1200				
C mm	300				
P mm	490	625	705	775	940
T mm	200		400		
Connections	1 1/2"	2"	2 1/2"	3"	4"
Flow m ³ /h	16,5	25	35	43	56,5
Filtering surface m ²	0.33	0.50	0.70	0.86	1.13
Sand kg	470	660	1015	1240	1665
Gravel kg	100	165	260	320	410
Working pressure kg/cm ²	2.5				
Net weight kg	105	135	160	200	230



Collector arms detail



Filtration bed 0.6 m

LAMINATED FILTERS

High performance filter Rapidpool

Laminated polyester filter with fibreglass. Red colour, polypropylene base, boltless lid. Port for emptying sand and water, fitted with pressure gauge and air relief valve. Side mount multiport valve. Maximum filtration velocity 50 m³/h/m². Maximum working pressure 2.5 kg/cm². Filtration bed 0.6 m.



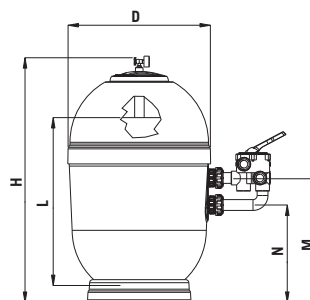
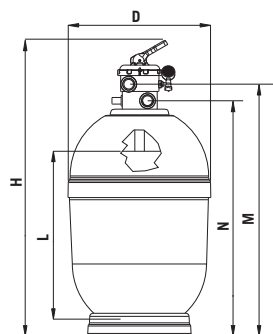
Top mounted valve version

- 6000 l/h Ø 400 mm outlet 1½"
- 9000 l/h Ø 500 mm outlet 1½"
- 15000 l/h Ø 650 mm outlet 1½"
- 24000 l/h Ø 800 mm outlet 2"

Side mounted valve version

- 6000 l/h Ø 400 mm outlet 1½"
- 9000 l/h Ø 500 mm outlet 1½"
- 15000 l/h Ø 650 mm outlet 1½"
- 24000 l/h Ø 800 mm outlet 2"

Code	Standard Packaging	Standard Weight Kg	Standard Volume m ³
32427	1	19.0	0.200
32428	1	25.0	0.355
32429	1	34.0	0.600
33849	1	44.0	1.050
00488	1	15.0	0.150
00489	1	22.0	0.280
00490	1	30.0	0.500
00491	1	45.0	0.880



	Top mounted valve				Side mounted valve			
	32427	32428	32429	33849	00488	00489	00490	00491
Ø Filter mm	400	500	650	800	400	500	650	800
H mm	1020	1165	1285	1566	860	1032	1126	1272
M mm	850	995	1115	1355	442	527	552	592
N mm	790	935	1055	1279	317	402	427	362
Connections	1½"	1½"	1½"	2"	1½"	1½"	1½"	2"
Flow rate m ³ /h at 50m ³ /h/m ²	6	9	15	24	6	9	15	24
Pool (volume) m ³ (8 hours)	48	72	120	120	48	72	120	192
Sand kg	60	130	255	445	60	130	255	445
Sand height mm	545	571	650	785	545	571	650	785
Maxi working pressure kg/cm ²	2.5	2.5	2.5	2.5	2.5	2.5	2.5	2.5
Net weight kg	19	25	34	44	15	22	30	45
Packaging Volume m ³	0.20	0.355	0.60	1.05	0.16	0.3	0.53	0.9

LAMINATED FILTERS

Vesubio filters

The Vesubio range covers both public and residential pools. Filters manufactured with simultaneous projection of resin and fibreglass. Lid fastened with high resistance bolts. Top opening of \varnothing 210 mm. \varnothing 1050 mm and \varnothing 1200 mm models are also available with top opening of \varnothing 400 mm. Maximum working pressure of 2.5 kg/cm².



Side mount version

8000 l/h \varnothing 450 mm outlet 50 mm	15785
9000 l/h \varnothing 500 mm outlet 50 mm	19353
14000 l/h \varnothing 600 mm outlet 50 mm	15786
22000 l/h \varnothing 750 mm outlet 63 mm	15787
32000 l/h \varnothing 900 mm outlet 75 mm	15788
43000 l/h \varnothing 1050* mm outlet 75 mm	15789
43000 l/h \varnothing 1050** mm outlet 75 mm	32391
56000 l/h \varnothing 1200* mm outlet 90 mm	15790
56000 l/h \varnothing 1200** mm outlet 90 mm	32392

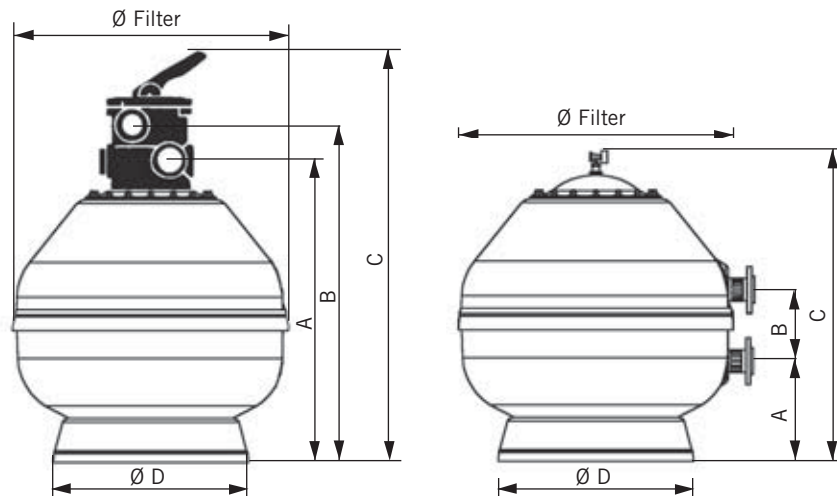
Top mount version

8000 l/h \varnothing 450 mm outlet 50 mm	32430
9000 l/h \varnothing 500 mm outlet 50 mm	32431
14000 l/h \varnothing 600 mm outlet 50 mm	32432
22000 l/h \varnothing 750 mm outlet 63 mm	33850
32000 l/h \varnothing 900 mm outlet 63 mm	33851

Code	Standard Packaging	Standard Weight Kg	Standard Volume m ³
15785	1	16	0.200
19353	1	20	0.260
15786	1	23	0.357
15787	1	32	0.595
15788	1	48	1.003
15789	1	97	2.052
32391	1	97	2.052
15790	1	130	2.450
32392	1	140	2.430
32430	1	19	0.280
32431	1	23	0.350
32432	1	26	0.480
33850	1	40	0.787
33851	1	56	1.276

* Small upper lid of \varnothing 210 mm
 ** Upper lid of \varnothing 400 mm

Filters up to \varnothing 1050 mm can be fitted with side mounted multiport valve. \varnothing 900 and \varnothing 1050 mm filters with side outlets are supplied without multiport valve.



	Top mounted version					Side mounted version								
	32430	32431	32432	33850	33851	15785	19353	15786	15787	15788	15789	32391	15790	32392
\varnothing Filter mm	450	500	600	750	900	450	500	600	750	900	1050	1050	1200	1200
A mm	650	690	790	837	987	265	305	325	300	325	435	410	490	490
B mm	710	750	850	913	1063	125	125	125	230	270	270	270	270	270
C mm	880	920	1020	1124	1274	725	765	865	895	1080	1110	1235	1235	1360
D mm	347	400	400	490	625	347	400	400	490	625	760	775	855	940
Filtration area	0.16	0.19	0.30	0.44	0.64	0.16	0.19	0.30	0.44	0.64	0.86	0.86	1.13	1.13
Connections	1 1/2"	1 1/2"	1 1/2"	2"	2"	1 1/2"	1 1/2"	1 1/2"	2"	2 1/2"	2 1/2"	2 1/2"	90	90
Flow rate m³/h at 50m³/h/m²	8	9	14	22	32	8	9	14	22	32	43	43	6	56
Pool (volume) m³ (8 hours)	64	72	112	176	256	64	72	112	176	256	344	344	448	448
Sand kg	60	95	148	245	415	60	95	148	245	415	660	660	1000	1000

Filtration bed 1 m

LAMINATED FILTERS

Vesubio filters- Commercial pools

With sand discharge port of 2 1/2".



Maximum working pressure 2.5 Kg/cm²

Filtration bed 1 m

Diameter Ø mm	Filtration velocity m ³ /h/m ²	Outlet Ø mm	Flow m ³ /h	Code	Standard Packaging	Standard Weight Kg	Standard Volume m ³
1050	20	63	17	41304	1	90	870
	30/40	75	25/34	41305	1	90	870
	50	90	43	41306	1	90	870
1200	20/30	75	22/33	41307	1	105	1290
	40/50	90	45/56	41308	1	105	1290
1400	20	75	30	41309	1	125	1810
	30	90	46	41310	1	125	1810
	40/50	110	61/77	41311	1	125	1810
1600	20	90	40	41312	1	175	2285
	30/40	110	60/80	41313	1	175	2285
	50	125	100	41314	1	175	2285
1800	20	90	50	41315	1	210	2950
	30	110	76	41316	1	210	2950
	40	125	101	41317	1	210	2950
	50	140	125	41318	1	210	2950
2000	20	110	62	41319	1	245	3850
	30	125	94	41320	1	245	3850
	40	140	125	41321	1	245	3850
	50	160	157	41322	1	245	3850

Ø D (mm)	Filtration velocity (m ³ /h/m ²)	Code	Connections		Flow (m ³ /h)	Pool volume (8h) (m ³)	Filtration area (m ²)	C (mm)	A (mm)	B (mm)	Ø D (mm)	Gravel 1-2 mm (kg)	Sand 0.4-0.8 mm (kg)
			mm	inches									
1050	20	41304	63	2"	17	136	0.86	1545	465	500	760	175	1125
	30/40	41305	75	2 1/2"	25/34	200/272							
	50	41306	90	3"	43	344							
1200	20/30	41307	75	2 1/2"	22/33	176/264	1.13	1730	675	500	850	275	1350
	40/50	41308	90	3"	45/56	360/448							
1400	20	41309	75	2 1/2"	30	240	1.54	1845	725	500	1085	350	1850
	30	41310	90	3"	46	368							
	40/50	41311	110	4"	61/77	488/616							
1600	20	41312	90	3"	40	320	2.01	1850	710	500	1230	450	2725
	30/40	41313	110	4"	60/80	480/640							
	50	41314	125	4 1/2"	100	800							
1800	20	41315	90	3"	50	400	2.54	1915	755	570	1370	550	3175
	30	41316	110	4"	76	608							
	40	41317	125	4 1/2"	101	808							
	50	41318	140	5"	125	1000							
2000	20	41319	110	4"	62	496	3.14	2030	775	570	1560	675	3650
	30	41320	125	4 1/2"	94	752							
	40	41321	140	5"	125	1000							
	50	41322	160	6"	157	1256							

Note: Codification options according to table on page 147



ASTRALPOOL SIGNATURE LAMINATED FILTERS

Atlas filter

Reinforced polyester sand filter.

Technical features:

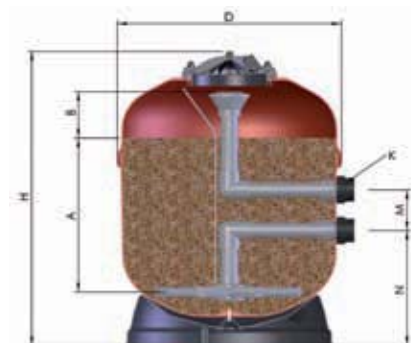
- Made of polyester resin and fibreglass.
- Excellent finish with gel-coat colour RAL 8029.
- The filter has been designed with higher coefficient of security, to guarantee a perfect operation.
- The union of the two bodies of the filter is carried out through a seal specially reinforced with fibreglass and polyester resin.
- Large diameter plastic lid.
- Cap to make the sand discharge into the filter easier.
- Fitted with 1" collector arms and diffuser made from unplasticised PVC.
- Interior pipe with tubes of PN-16.
- Sand purge of 2 1/2".
- Fitted with pressure gauge, air purge and manual water drain.
- Connections to multiport valve with six positions: filter, backwash, rinse, recirculate, waste and closed.
- **AstralPool innovation:** The filter has a security valve to avoid any over-pressure.
- Maximum working pressure of 2.5 Kg/cm².

Includes multiport
 Ø 500 mm outlet 1 1/2"
 Ø 600 mm outlet 1 1/2"
 Ø 750 mm outlet 2"

Does not include multiport
 Ø 900 mm outlet 2 1/2"

Code	Standard Packaging	Standard Weight Kg	Standard Volume m ³
36596	1	20	-
36597	1	25	-
36598	1	33	-
36599	1	51	-

Code	36596	36597	36598	36599
Ø Filter mm	500	600	750	900
Connections	1 1/2"		2"	2 1/2"
Filtering surface (m ²)	0,19	0,30	0,44	0,64
Filtering velocity (m ³ /h/m ²)	50			
Flow (m ³ /h)	9,5	15	22	30
Working pressure (bar)	2,5			
Sand (kg)	120	190	360	580
Net weight (kg)	20	25	33	51



Dimensions:

Code	A (mm)	B (mm)	D (mm)	H (mm)	M (mm)	N (mm)
36596	400	120	545	830	125	300
36597	480	145	640	905	125	325
36598	550	165	790	1050	230	310
36599	630	190	940	1185	270	410

Sand drain of 2 1/2" and water drain of 3/4" with security valve.



Filtration bed 1 m



LAMINATED FILTERS

The new **range of laminated Delta filters** has evolved from the PTK filter series. Using new manufacturing processes, which provides multiple product configuration options.

A new 30% larger joint reinforces the seal of both parts of the filter with double security: fibreglass laminated on the inside and high tensile strength composite at the outer union of the filter. All connections are on a thicker base, thus improving resistance. Connection to any valve is also made easier thanks to the re-location of the fittings. The height of the lower part of the filter has been increased in order to strengthen the internal nozzle plate support. 2 year guarantee. Blue RAL 5024.colour. Other colours available on request, subject to a minimum order of 5 filters.



Delta 10 filters

The **Delta 1000** model is the equivalent of the PTK series 1000 and is available in 650, 800, 1000 and 1200 mm diameters. It features a 1m filtration bed and is available with either lateral or nozzle plate collector systems.

- DN 200 filter lid with quick-locking system for 650 and 800 models and DN 400 bolt down lid for 1000 and 1200 models.
- DN200 lateral manhole with bolt down cover.
- Filter interior left with natural resin finish.
- Optional methacrylate sight glass available on request.
- Inner pipe and fittings in PVC, PP and ABS.
- Pressure gauge included in filter lid.
- Gaskets in EPDM and all screw fittings in stainless steel.
- Vinylester option. In this case, all laminated layers are manufactured from vinylester resin (and not only the top layer in contact with the water), to a maximum chemical resistance of 0.4 ppm of ozone dissolved and to a maximum water temperature of 40°C.



Maximum working pressure 2.5 Kg/cm²

Conventional collector arms. Arm slots 0.3 mm

Diameter Ø mm	Outlet Ø mm	Flow** m ³ /h 40m ³ /h/m ²	Code	Standard Packaging	Standard Weight Kg	Standard Volume m ³
650	1 1/2"	13.3	36676	1	112	0.56
800	2"	20.1	36677	1	115	0.88
1000	2 1/2"	31.4	36678	1	121	1.45
1200	90	45.2	36679	1	113	2.17

** Maximum flow and filtration velocity recommended



Maximum working pressure 2.5 Kg/cm²

Nozzle collector plate. Nozzle slots 0.5 mm

Diameter Ø mm	Outlet Ø mm	Flow** m ³ /h 40m ³ /h/m ²	Code	Standard Packaging	Standard Weight Kg	Standard Volume m ³
650	1 1/2"	13.3	36684	1	119	0.60
800	2"	20.1	36685	1	121	0.93
1000	2 1/2"	31.4	36686	1	129	1.54
1200	90	45.2	36687	1	123	2.34

** Maximum Flow and filtration velocity recommended

*except diam. 1200 mm models

Filtration bed 1.2 m

LAMINATED FILTERS



Delta 12 filters

The **Delta 1200 filter** is equivalent to the old PTK series 1200 and is available in 650, 800, 1000 and 1200 mm diameters. The high performance filter bed measures 1.2 m and is available with either lateral or nozzle plate collector systems.

- DN 200 filter lid with quick-locking system for 650 and 800 models and DN 400 bolt down lid for 1000 and 1200 models.
- DN200 lateral manhole with bolt down cover.
- Filter interior left with natural resin finish.
- Methacrylate sight glass as standard. Further sight glasses are available on request.
- Internal pipe and fittings in PVC, PP and ABS.
- Pressure gauge included in filter lid.
- Gaskets in EPDM and all bolt fasteners in stainless steel.
- Vinylester option. In this case, all laminate layers are manufactured from vinylester resin (and not only the top layer in contact with the water), to a maximum chemical resistance of 0.4 ppm of ozone dissolved and to a maximum water temperature of 40°C.



Maximum working pressure 2.5 Kg/cm²

Conventional collector arms. Arm slots 0.3 mm

Diameter Ø mm	Outlet Ø mm	Flow m ³ /h 40m ³ /h/m ²	Code	Standard Packaging	Standard Weight Kg	Standard Volume m ³
650	1½"	13.3	36680	1	120	0.60
800	2"	20.1	36681	1	121	0.92
1000	2½"	31.4	36682	1	129	1.54
1200	90	45.2	36683	1	130	2.24



Nozzle plate detail

Maximum working pressure 2.5 Kg/cm²

Nozzle collector plate. Nozzle slots 0.5 mm

Diameter Ø mm	Outlet Ø mm	Flow m ³ /h 40m ³ /h/m ²	Code	Standard Packaging	Standard Weight Kg	Standard Volume m ³
650	1½"	13.3	36688	1	127	0.64
800	2"	20.1	36689	1	127	0.97
1000	2½"	31.4	36690	1	137	1.63
1200	90	45.2	36691	1	141	2.42



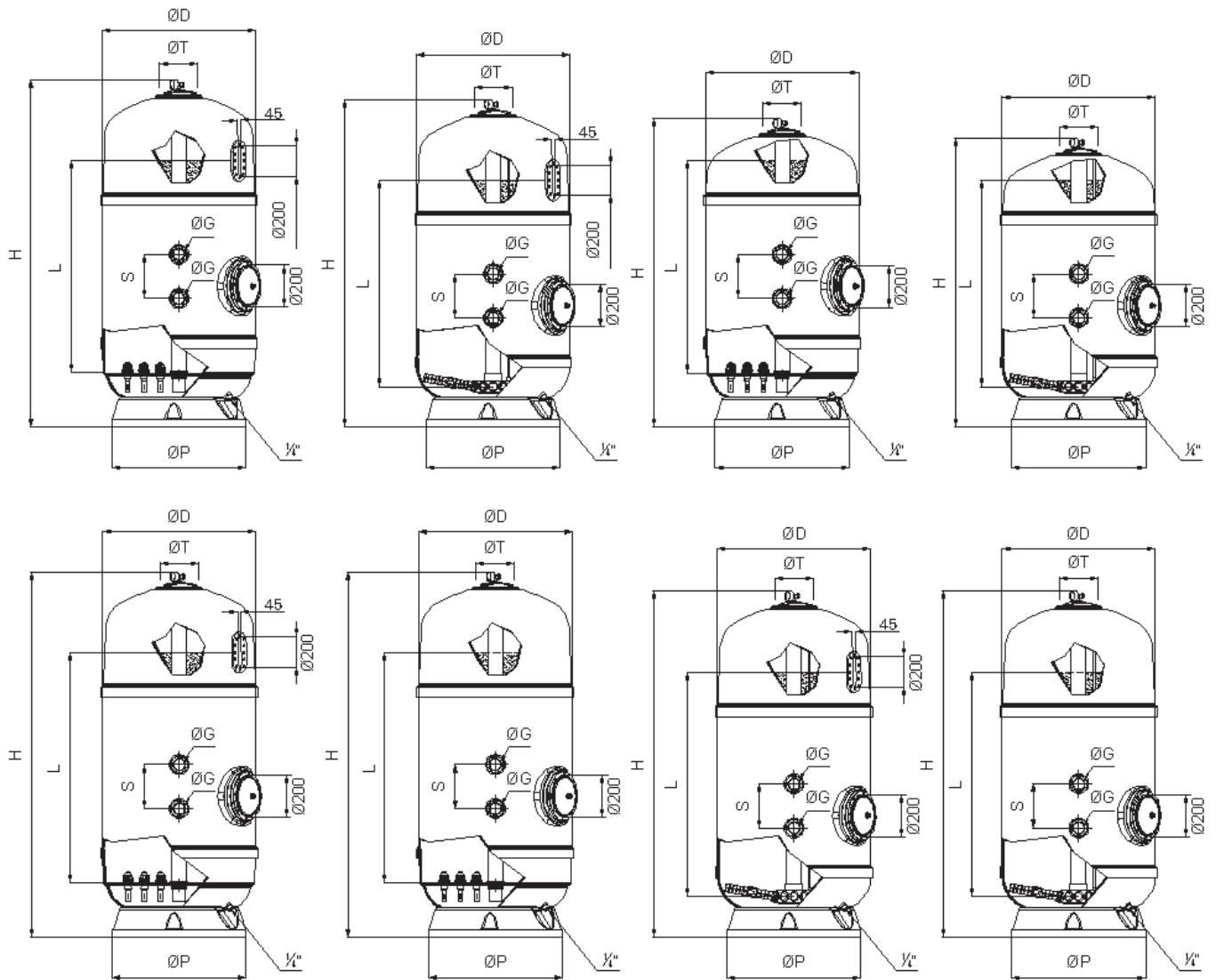
Collector arms detail

Note: Codification options according to table on page 147

LAMINATED FILTERS



Delta filters



TECHNICAL FEATURES

	DELTA 10								DELTA 12							
	Collector arms				Nozzle plate				Collector arms				Nozzle plate			
	36676	36677	36678	36679	36684	36685	36686	36687	36680	36681	36682	36683	36688	36689	36690	36691
D (mm)	650	800	1.000	1.200	650	800	1.000	1.200	650	800	1.000	1.200	650	800	1.000	1.200
Ø P (mm)	490	625	890	1145	490	625	890	1145	585	700	890	1145	585	700	890	1145
H (mm)	1702	1749	1840	1915	1802	1843	1955	2071	1825	1830	1960	2022	1925	1924	2075	2128
L (mm)	1000	1000	1000	1000	1000	1000	1000	1000	1200	1200	1200	1200	1200	1200	1200	1200
S (mm)	125	230	270	300	125	230	270	300	125	230	270	300	125	230	270	300
Ø T	200	200	400	400	200	200	400	400	200	200	400	400	200	200	400	400
Ø G	1 1/2"	2"	2 1/2"	3"	1 1/2"	2"	2 1/2"	3"	1 1/2"	2"	2 1/2"	3"	1 1/2"	2"	2 1/2"	3"
Flow rate m³/h at 30 m³/h/m²	9	15	23	34	9	15	23	34	9	15	23	34	9	15	23	34
Flow rate m³/h at 40 m³/h/m²	12	20	30	45	12	20	30	45	12	20	30	45	12	20	30	45
MULTILAYER	Anthracite 0.8 - 1.6 mm (l)	-	-	-	-	-	-	-	148	250	387	564	148	250	387	564
	Sand 0.4 - 0.8 mm (Kg)	-	-	-	-	-	-	-	160	271	419	611	160	271	419	611
	Gravel 1 - 2 mm (Kg)	-	-	-	-	-	-	-	46	78	120	175	46	78	120	175
	Gravel 3 - 5 mm (Kg)	-	-	-	-	-	-	-	86	156	300	350	46	78	120	175
SINGLE LAYER	Sand 0.4 - 0.8 mm (kg)	400	640	990	1425	400	640	990	451	767	1325	1763	451	767	1325	1763
	Gravel 1 - 2 mm (kg)	86	156	300	350	46	78	120	175	86	156	300	350	46	78	120

Filtration bed 1.2 m

LAMINATED FILTERS



Norma filters

Laminated filter in polyester reinforced with fibreglass (PRFV). Filtration bed can be of single or multilayer. Maximum working pressure 2.5 kg/cm². Complies with DIN standard 19643/19605. Collector system with nozzle plate (0.5 mm slot). Fitted with sight glass, sand dump port, lateral manhole, pressure gauge and manual air vent and water purge. Top sand charge lid Ø 200 mm and manhole Ø 200 mm or Ø 400 mm according to model type. PVC and PP internal components. A4 bolts and EPDM gaskets. **Options:** Interior vinylester coating (resistant to ozone concentrations <0.4 ppm) and maximum temperature of 40°C. Standard colour: Ivory.

Maximum working pressure 2.5 Kg/cm²

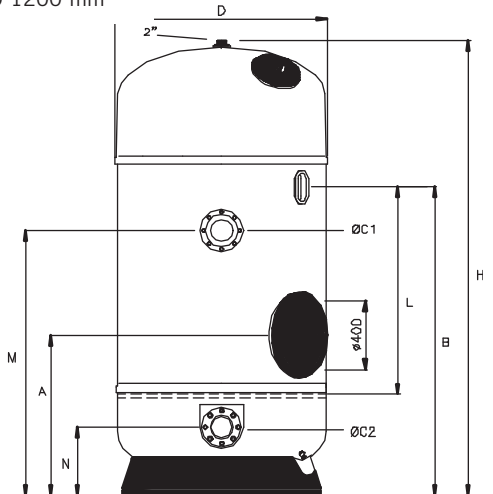
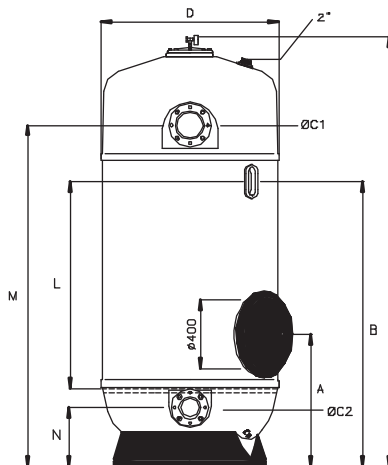
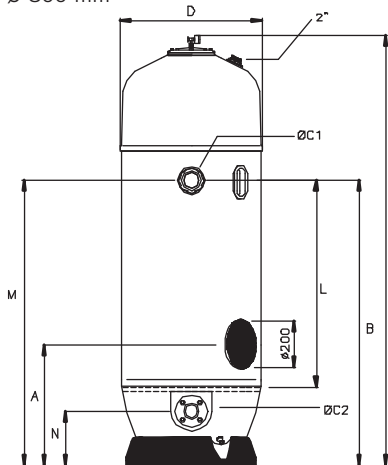
Diameter Ø mm	Filtration velocity	Outlet Ø mm	Flow m ³ /h 30m ³ /h/m ²	Code	Standard Packaging	Standard Weight Kg	Standard Volume m ³
650	30	90-75	10	08142	1	100	1.33
800	30	90-75	15	08143	1	125	2.00
1.000	30	140-110	23	08144	1	145	3.00
1.200	30	140-140	34	08145	1	177	5.50



Ø 650 mm
Ø 800 mm

Ø 1000 mm

Ø 1200 mm



TECHNICAL FEATURES

	08142	08143	08144	08145	
D (mm)	650	800	1000	1200	
A (mm)	680	700	770	950	
B (mm)	1660	1640	1655	1790	
H (mm)	2480	2480	2490	2640	
L (mm)	1200	1200	1200	1200	
M (mm)	1650	1650	1980	1600	
N (mm)	320	320	340	400	
Ø C1 (mm)	90	90	140	140	
Ø C2 (mm)	75	75	110	140	
Flow rate m ³ /h at 30 m ³ /h/m ²	10	15	23	33	
MULTILAYER	Antracita 0.8 - 1.6 mm (l)	148	250	390	564
	Sand 0.4 - 0.8 mm (Kg)	160	271	420	611
	Gravel 1 - 2 mm (Kg)	46	78	120	175
	Gravel 3 - 5 mm (Kg)	46	78	120	175
SINGLE LAYER	Sand 0.4 - 0.8 mm (kg)	451	767	1215	1763
	Gravel 1 - 2 mm (kg)	46	78	120	175

BOBBIN WOUND FILTERS



Berlin filter

Bright satin finish with a transparent polyurathane varnish dust-repellant coating. Ø 230 mm injected lid fixed with bolts. Fitted with pressure gauge, manual air vent, water purge, and side mounted multiport valve. Maximum filtration velocity 50 m³/h/m².



With multiport valve:

9000 l/h Ø 500 mm outlet 1½"
14000 l/h Ø 600 mm outlet 1½"
21000 l/h Ø 750 mm outlet 2"

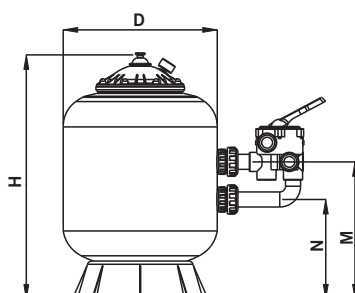
Without multiport valve:

30000 l/h Ø 900 mm outlet 2½"

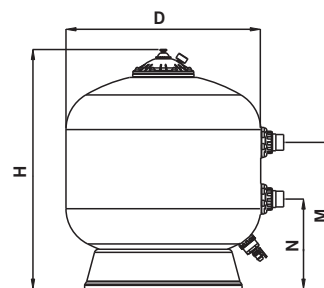
Without multiport valve and with Ø 400 mm polyester and FV lid:

43000 l/h Ø 1050 mm outlet Ø 75 mm
56000 l/h Ø 1200 mm outlet Ø 90 mm

Code	Standard Packaging	Standard Weight Kg	Standard Volume m ³
00541	1	17.3	0.230
00542	1	21.8	0.360
00543	1	36.0	0.620
00544	1	60.0	0.980
00545	1	101.0	1.610
00546	1	130.0	2.306



With multiport valve



Without multiport valve

	Side mounted valve			Without valve			Monoblocs	
	00541	00542	00543	00544	00545	00546	00547	00548
Ø D mm	500	600	750	900	1050	1200	500	600
H mm	805	910	1050	1145	1300	1450	-	-
M mm	450	505	610	685	810	870	-	-
N mm	325	380	380	415	500	560	-	-
Connections	1½"	1½"	2"	2½"	*D75	**D90	1½"	1½"
Flow rate m ³ /h at 50 m ³ /h/m ²	9	14	21	30	43	56	9	14
Pool (volume) m ³	50-75	75-115	115-170	170-240	240-350	350-450	50-75	75-115
Sand kg	100	175	300	525	575/300	800/300	100	175
Maxi working pressure kg/cm ²	2.5	2.5	2.5	2.5	2.5	2.5	2.5	2.5
Net weight kg	14.6	18.6	27.5	43.4	83	93	-	-
Packaging volume m ³	0.23	0.36	0.26	0.99	1.92	2.75	-	-

BOBBIN WOUND FILTERS

In-ground compact housings with Berlin filter



Made in polyester and fibreglass. Includes filter, multiport valve, pump, control cabinet, with programmer and valve manifold.

In-ground compact

	Code	Standard Packaging	Standard Weight Kg	Standard Volume m ³
Ø 500 mm Pump 0.37 kW (1/2 HP) 230 V II	00549	1	82.0	0.948
Ø 600 mm Pump 0.55 kW (3/4 HP) 230 V II	00550	1	92.0	0.948
Ø 750 mm Pump 1.10 kW (1.5 HP) 230 V II	00551	1	182.0	2.229

Semi in-ground compact housings with Berlin filter



Made in Polyester and fibreglass. Includes filter, multiport valve, pump, control cabinet with programming unit and valve manifold.

Semi in-ground compact

	Code	Standard Packaging	Standard Weight Kg	Standard Volume m ³
Ø 500 mm Pump 0.37 kW (1/2 HP) 230 V II	00552	1	64.0	1.056
Ø 600 mm Pump 0.55 kW (3/4 HP) 230 V II	00553	1	74.0	1.056
Ø 750 mm Pump 1.10 kW (1.5 HP) 230 V II	00554	1	121.0	1.791

Consult our wide range of housings for your filtration needs

FILTER CODIFICATION FOR COMMERCIAL FILTERS



Filter coding

The filter code is composed of eight digits. The first five digits correspond to the filter code and the last three digits correspond to the model – this information is given in the tables below.

This codification system is used for the Praga, Oslo, Olot, Ampuria, Rodas, Vic, Europe, Vesubio and Delta filters.

Position	1	2	3	4	5	-	6	7	8
----------	---	---	---	---	---	---	---	---	---

Position 1 to 5: Five digit code of the standard product.

Position 6 Specifies the nozzle plate and vinyester options		Position 7 Specifies manhole options		Position 8 Specifies sightglass options	
0	Filter without nozzle plate	0	No manholes	0	No sightglass
1	Filter with nozzle plate	1	1 Ø 225 mm manhole	1	1 sightglass for laminated filter
2	Vinylester finish	2	1 Ø 400 mm manhole	2	1 Ø 135 mm sightglass
3	With nozzle plate and vinylester	3	2 Ø 225 mm manholes	3	2 sightglass for laminated filter
		4	2 Ø 400 mm manholes	4	2 Ø 135 mm sightglass

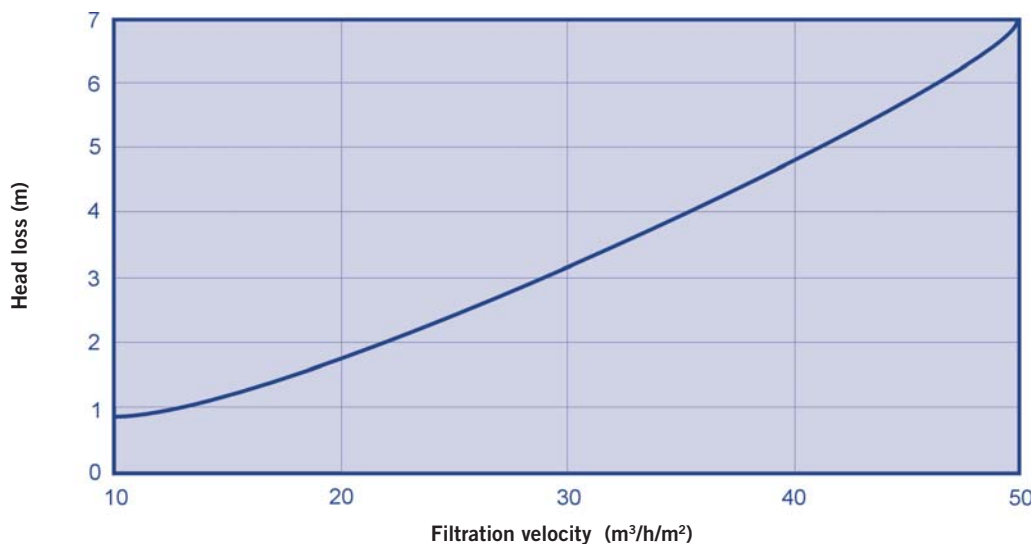
Note: Rodas filters with nozzle plates are not available.

Please enquire pricing for various options:

- Vinylester finish
- Ø 225 mm and Ø 400 mm manhole
- Sightglass

Head loss curve

Ø 1050 mm to Ø 3000 mm filters



Filtration bed 1 m

LAMINATED FILTERS



Europe filters

Polyester and fibreglass filters: complete fitted with pressure gauge panel, manual air relief valve and water purge Ø 200 sand discharge port. Ø 400 mm top lid. Suitable for filtration velocities of 20, 30, 40 and 50 m³/h/m². Please enquire for other velocities. All Europe filters can be fitted with valve manifold.

Maximum working pressure 2.5 Kg/cm²

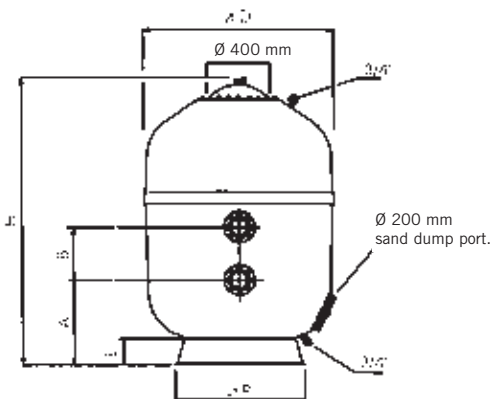
Filtration bed 1 m



* Can use a 2" multiport valve
 **Can use a 2 1/2" multiport valve.

DOES NOT INCLUDE
 VALVE MANIFOLD

Diameter Ø mm	Filtration velocity m ³ /h/m ²	Outlet Ø mm	Flow m ³ /h	Code	Standard Packaging	Standard Weight Kg	Standard Volume m ³
1050	20*	63	17	20070	1	125	2.823
	30/40**	75	25/34	20071	1	125	2.823
	50	90	43	20072	1	125	2.823
1200	20/30	75	22/33	20068	1	150	3.597
	40/50	90	45/56	20069	1	150	3.597
1400	20	75	30	21497	1	214	5.880
	30	90	46	21498	1	214	5.880
	40/50	110	61/77	21499	1	214	5.880
1600	20	90	40	21500	1	230	7.80
	30/40	110	60/80	21501	1	230	7.80
	50	125	100	21502	1	230	7.80
1800	20	90	50	21503	1	344	10.00
	30	110	76	21504	1	344	10.00
	40	125	101	21505	1	344	10.00
	50	140	125	21506	1	344	10.00
2000	20	110	62	21507	1	400	12.10
	30	125	94	21508	1	400	12.10
	40	140	125	21509	1	400	12.10
	50	160	157	21510	1	400	12.10
2350	20	125	87	33820	1	600	15.70
	30	140	130	33822	1	600	15.70
	40	160	174	33824	1	600	15.70
	50	200	217	33826	1	600	15.70
2500	20	140	100	34302	1	630	-
	30	160	150	34303	1	630	-
	40	200	200	34304	1	630	-
	50	225	225	34305	1	630	-



Ø (mm)	1050	1200	1400	1600	1800	2000	2350	2500
Filtration bed height (m)	1	1	1	1	1	1	1	1
H (mm)	1860	1860	2000	2100	2200	2200	2430	2525
B (mm)	270*	350	400	400	400	400	400	500
A (mm)	540	570	615	710	725	805	950	1015
Ø P (mm)	760	850	1083	1230	1370	1558	1830	1830
E (mm)	170	180	240	250	270	300	355	-
Filtration area (m ²)	0.86	1.13	1.54	2.01	2.54	3.14	4.34	4.9
Volume (l)	1250	1575	2185	2965	3850	4850	7230	9385
Sand 0.4 – 0.8 mm (Kg)	1050	1360	1820	2375	3010	3750	5000	5600
Gravel 1 – 2 mm (Kg)	265	325	410	515	760	1060	2000	2920
Total weight in operation (Kg)	2060	2600	3500	4700	6150	7800	10786	13800

* For 2" multiport valve the height will be 230 mm.

Note: Codification options according to table on page 147

Filtration bed 1.2 m

LAMINATED FILTERS



Europe filters

Maximum working pressure 2.5 Kg/cm²

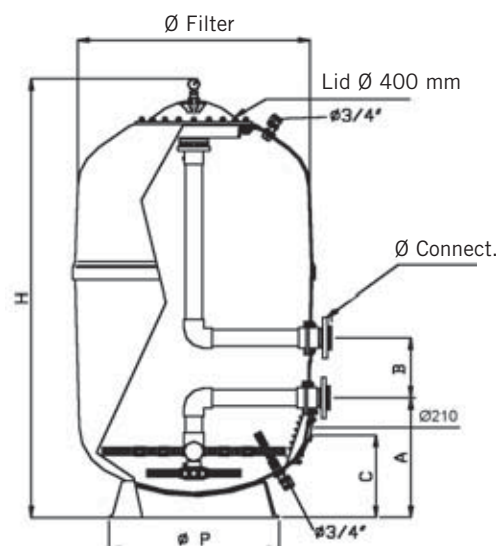
Filtration bed 1.2 m



DOES NOT INCLUDE VALVE MANIFOLD

Diameter Ø mm	Filtration velocity m ³ /h/m ²	Outlet Ø mm	Flow m ³ /h	Code	Standard Packaging	Standard Weight Kg	Standard Volume m ³
1050	20*	63	17	31857	1	140	3.04
	30/40**	75	25/34	31858	1	140	3.04
	50	90	43	31859	1	140	3.04
1200	20/30	75	22/33	31860	1	155	3.89
	40/50	90	45/56	31861	1	155	3.89
1400	20	75	30	21511	1	215	6.27
	30	90	46	21512	1	215	6.27
	40/50	110	61/77	21513	1	215	6.27
1600	20	90	40	21514	1	255	8.31
	30/40	110	60/80	21515	1	255	8.31
	50	125	100	21516	1	255	8.31
1800	20	90	50	21517	1	385	10.65
	30	110	76	21518	1	385	10.65
	40	125	101	21519	1	385	10.65
	50	140	125	21520	1	385	10.65
2000	20	110	62	21521	1	425	12.90
	30	125	94	21522	1	425	12.90
	40	140	125	21523	1	425	12.90
	50	160	157	21524	1	425	12.90
2350	20	125	87	33821	1	630	16.80
	30	140	130	33823	1	630	16.80
	40	160	174	33825	1	630	16.80
	50	200	217	33827	1	630	16.80
2500	20	140	100	34306	1	860	-
	30	160	150	34307	1	860	-
	40	200	200	34308	1	860	-
	50	225	225	34309	1	860	-

Ø (mm)	1050	1200	1400	1600	1800	2000	2350	2500
Filtration bed height (m)	1.2	1.2	1.2	1.2	1.2	1.2	1.2	1.2
H (mm)	2060	2060	2200	2300	2400	2400	2630	2675
B (mm)	270	350	400	400	400	400	400	500
A (mm)	540	570	615	710	725	805	950	1015
Ø P (mm)	760	850	1085	1230	1370	1560	1830	1830
E (mm)	170	180	240	250	270	300	355	-
Filtration area (m ²)	0.86	1.13	1.54	2.01	2.54	3.14	4.34	4.90
Volume (l)	1500	1900	2650	3560	4620	5820	8060	-
Sand 0.4 – 0.8 mm (Kg)	1300	1660	2220	2950	3680	4600	6130	6680
Gravel 1 – 2 mm (Kg)	265	325	410	515	760	1060	2000	2920
Total weight in operation (Kg)	2375	2950	4000	5475	6950	8800	12180	14460



Filtration bed 1 m



DOES NOT INCLUDE VALVE MANIFOLD

- SOME FILTER VESSELS FROM Ø 2000 mm AND ABOVE MAY REQUIRE SPECIAL TRANSPORT VEHICLES. PLEASE ASK FOR A QUOTATION AT THE TIME OF YOUR ENQUIRY.

NOTE: The lateral manholes (Ø 400 mm or Ø 225 m) are recommended for filters with nozzle collector plates for emptying of filter media.



Filter base



Collector arms

BOBBIN WOUND FILTERS



Vic filters

Industrial bobbin wound filters with diameters from 1050 mm to 3000 mm, with the corresponding flange connections for different filtration velocities. Replaces the Atenas model. New top cover system with quick closing system 400 x 500 mm opening. The air relief valve is fitted into the cover in order to help eliminate air from the filter. 1½" collector arms injected in ABS at the necessary lengths for each of the filters and without joints. Lengths from 90 mm to 525 mm. A reduced head loss is achieved thanks to the greater diameter of the arms.

The 90 mm diam collector tubing is injected in PVC. Water purge and air relief are faster due to a 1" connection. The distance between the top sand layer and the difusor head ("freeboard") has been increased to ensure greater water distribution during filtration and to prevent sand entering into the laterals during the backwashing.

In filters with diameters of 2350 mm, 2500 mm and 3000 mm, the top cover is Ø 400 mm, sealed with bolts for high resistance.

Maximum working pressure 2.5 Kg/cm²

Diameter Ø mm	Filtration velocity m ³ /h/m ²	Outlet Ø mm	Flow m ³ /h	Code	Standard Packaging	Standard Weight Kg	Standard Volume m ³
1050	20	63	17	11511N	1	120	1.9
	30-40	75	25-34	11517N	1	120	1.9
	50	90	43	11526N	1	120	1.9
1200	20-30	75	22-33	11512N	1	154	2.7
	40-50	90	45-56	11522N	1	154	2.7
1400	20	75	30	11513N	1	173	3.7
	30	90	46	11518N	1	173	3.7
	40-50	110	61-77	11523N	1	173	3.7
1600	20	90	40	11514N	1	235	5.0
	30-40	110	60-80	11519N	1	235	5.0
	50	125	100	11527N	1	235	5.0
1800	20	90	50	11515N	1	270	6.4
	30	110	76	11520N	1	270	6.4
	40	125	101	11524N	1	270	6.4
	50	140	125	11528N	1	270	6.4
2000	20	110	62	11516N	1	295	8.7
	30	125	94	11521N	1	295	8.7
	40	140	125	11525N	1	295	8.7
	50	160	157	11529N	1	295	8.7
2350	20	125	87	33039	1	530	14.8
	30	140	130	33040	1	530	14.8
	40	160	175	33041	1	530	14.8
	50	200	217	33042	1	530	14.8
2500	20	140	100	33043	1	780	19.5
	30	160	150	33044	1	780	19.5
	40	200	200	33045	1	780	19.5
	50	225	250	33046	1	780	19.5
3000	20	160	140	33047	1	1350	29.0
	30	200	212	33048	1	1350	29.0
	40	225	282	33049	1	1350	29.0
	50	250	353	33050	1	1350	29.0

Note: Codification options according to table on page 147

Filtration bed 1 m

BOBBIN WOUND FILTERS



Vic filters



- SOME FILTER VESSELS FROM Ø 2000 mm AND ABOVE MAY REQUIRE SPECIAL TRANSPORT VEHICLES. PLEASE ASK FOR A QUOTATION AT THE TIME OF YOUR ENQUIRY.

DOES NOT INCLUDE VALVE MANIFOLD

NOTE: The lateral manholes (Ø 400 mm or Ø 225 m) are recommended for filters with nozzle collector plates for emptying of filter media.

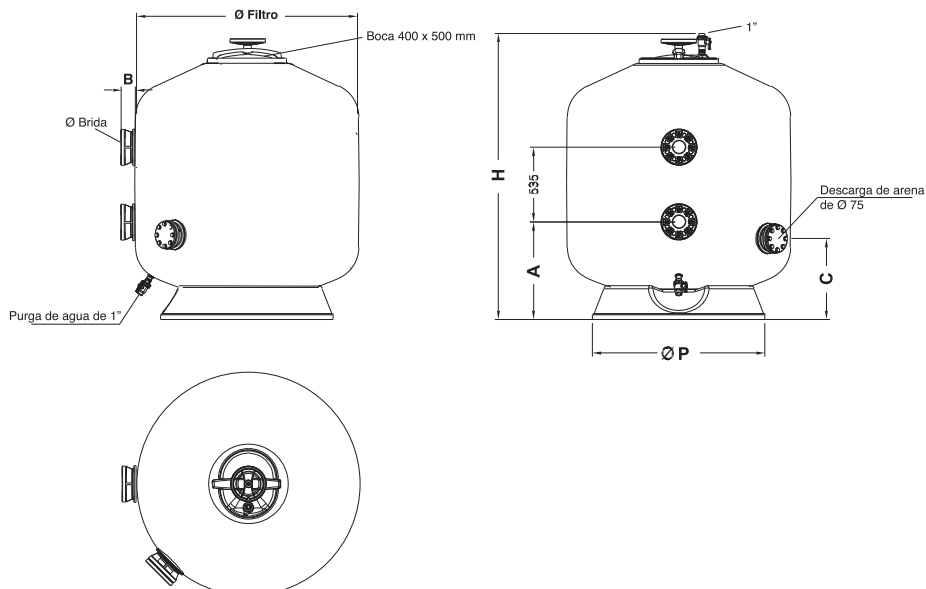
Code 2.5 Kg	Ø Filter mm	A mm	B mm	C mm	H mm	Ø P mm	Ø Connection mm	Filtration surface m ²
11511N	1050	685	85	535	1950	760	63	0.86
11517N	1050	685	85	535	1950	760	75	0.86
11526N	1050	685	85	535	1950	760	90	0.86
11512N	1200	680	85	530	1970	860	75	1.13
11522N	1200	680	85	530	1970	860	90	1.13
11513N	1400	685	85	575	2000	1020	75	1.54
11518N	1400	685	85	575	2000	1020	90	1.54
11523N	1400	685	85	575	2000	1020	110	1.54
11514N	1600	695	85	625	2050	1150	90	2.01
11519N	1600	695	85	625	2050	1150	110	2.01
11527N	1600	695	85	625	2050	1150	125	2.01
11515N	1800	710	85	670	2080	1320	90	2.54
11520N	1800	710	85	670	2080	1320	110	2.54
11524N	1800	710	85	670	2080	1320	125	2.54
11528N	1800	710	85	670	2080	1320	140	2.54
11516N	2000	730	85	715	2150	1470	110	3.14
11521N	2000	730	85	715	2150	1470	125	3.14
11525N	2000	730	85	715	2150	1470	140	3.14
11529N	2000	730	85	715	2150	1470	160	3.14
33039	2350	965	85	1030	2520	1860	125	4.34
33040	2350	965	85	1030	2520	1860	140	4.34
33041	2350	965	85	1030	2520	1860	160	4.34
33042	2350	965	150	1030	2520	1860	200	4.34
33043	2500	1050	85	1080	2550	2000	140	4.90
33044	2500	1050	85	1080	2550	2000	160	4.90
33045	2500	1050	150	1080	2550	2000	200	4.90
33046	2500	1050	150	1080	2550	2000	225	4.90
33047	3000	1175	85	1140	2750	2365	160	7.07
33048	3000	1175	150	1140	2750	2365	200	7.07
33049	3000	1175	150	1140	2750	2365	225	7.07
33050	3000	1175	170	1140	2750	2365	250	7.07



Filter base



Collector arms



FILTRATION

Filtration bed 1 m



DOES NOT INCLUDE
VALVE MANIFOLD

- ALTERNATIVE HEIGHTS AVAILABLE UNDER SPECIAL ORDER.
- SOME FILTER VESSELS FROM Ø 2000 mm AND ABOVE MAY REQUIRE SPECIAL TRANSPORT. PLEASE ASK FOR A QUOTATION AT THE TIME OF YOUR ENQUIRY.

NOTE: The lateral manholes (Ø 400 mm or Ø 225 mm) are recommended for filters with nozzle collector plates for the emptying of filtration media.

BOBBIN WOUND FILTERS



Praga filters

Single layer filter in polyester and fibreglass. Lid Ø 400 mm. Supplied with manual air relief valve and water purge, sand dump port, and pressure gauge panel. Valid for 20, 30 and 40 m³/h/m² filtration velocities. For other filtration velocities, please enquire.

Maximum working pressure 2.5 Kg/cm²

Diameter Ø mm	Filtration velocity m ³ /h/m ²	Outlet Ø mm	Flow m ³ /h	Code	Standard Packaging	Standard Weight Kg	Standard Volume m ³
1050	20	63	17	00687	1	120	1.9
	30-40	75	25-34	00694	1	120	1.9
	-	90	-	00707	1	120	1.9
1200	20-30	75	22-33	00688	1	154	2.7
	40	90	45	00702	1	154	2.7
1400	20	75	30	00689	1	173	3.7
	30	90	46	00696	1	173	3.7
	40	110	61	00703	1	173	3.7
1600	20	90	40	00690	1	235	5.0
	30-40	110	60-80	00697	1	235	5.0
	-	125	-	00710	1	235	5.0
1800	20	90	50	00691	1	270	6.4
	30	110	76	00698	1	270	6.4
	40	125	101	00705	1	270	6.4
	-	140	-	00711	1	270	6.4
2000	20	110	62	00692	1	295	8.7
	30	125	94	00699	1	295	8.7
	40	140	125	00706	1	295	8.7
	-	160	-	05083	1	295	8.7
2350	20	125	87	00693	1	530	14.8
	30	140	130	00700	1	530	14.8
	40	160	175	04935	1	530	14.8
2500	20	140	100	08695	1	780	19.5
	30	160	150	08696	1	780	19.5
	40	200	200	08697	1	780	19.5
3000	20	160	140	08699	1	1350	29.0
	30	200	212	08700	1	1350	29.0
	40	225	282	08701	1	1350	29.0

Note: Codification options according to table on page 147

Filtration bed 1 m



DOES NOT INCLUDE VALVE MANIFOLD

- ALTERNATIVE HEIGHTS AVAILABLE UNDER SPECIAL ORDER.
- SOME FILTER VESSELS FROM Ø 2000 mm AND ABOVE MAY REQUIRE SPECIAL TRANSPORT. PLEASE ASK FOR A QUOTATION AT THE TIME OF YOUR ENQUIRY.

BOBBIN WOUND FILTERS

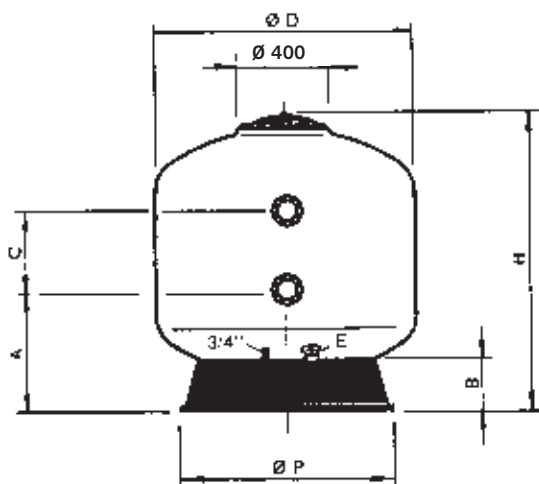


Praga filters

Lid Ø 400 mm.

Maximum working pressure 4 Kg/cm²

Diameter Ø mm	Filtration velocity m ³ /h/m ²	Outlet Ø mm	Flow m ³ /h	Code	Standard Packaging	Standard Weight Kg	Standard Volume m ³
1050	20	63	17	09209	1	142	1.9
	30-40	75	25-34	00712	1	142	1.9
	-	90	-	00724	1	142	1.9
1200	20-30	75	22-33	00713	1	169	2.7
	40	90	45	00719	1	169	2.7
1400	20	75	30	09210	1	192	3.7
	30	90	46	00714	1	192	3.7
	40	110	61	00720	1	192	3.7
1600	20	90	40	09211	1	250	5.0
	30-40	110	60-80	00715	1	250	5.0
	-	125	-	00727	1	250	5.0
1800	20	90	50	09212	1	300	6.4
	30	110	76	00716	1	300	6.4
	40	125	101	00722	1	300	6.4
	-	140	-	00728	1	300	6.4
2000	20	110	62	09213	1	350	8.7
	30	125	94	00717	1	350	8.7
	40	140	125	00723	1	350	8.7
	-	160	-	05132	1	350	8.7
2350	20	125	87	09214	1	530	14.8
	30	140	130	09217	1	530	14.8
	40	160	175	09220	1	530	14.8
2500	20	140	100	09215	1	960	19.5
	30	160	150	09218	1	960	19.5
	40	200	200	09221	1	960	19.5
3000	20	160	140	09216	1	1600	29.0
	30	200	212	09219	1	1600	29.0
	40	225	282	09222	1	1600	29.0



Ø (mm)	1050	1200	1400	1600	1800	2000	2350	2500	3000
Filtration bed height (m)	1	1	1	1	1	1	1	1	1
H (mm)	1640	1780	1755	1835	1875	2040	2520	2550	2750
B (mm)	200	230	240	260	280	300	340	340	350
A (mm)	540	570	585	680	720	790	965	1080	1100
C (mm)	645	640	610	515	465	510	600	450	440
Ø P (mm)	755	940	1085	1230	1370	1550	1859	2000	2365
E (mm)	90	90	90	140	140	140	140	140	140
Filtration area (m ²)	0.86	1.13	1.54	2.01	2.54	3.14	4.34	4.90	7.07
Volume (l)	1050	1500	2000	2600	3400	4400	8045	9050	12800
Sand 0.4 – 0.8 mm (Kg)	950	1375	1650	2150	2800	3800	5275	5950	8600
Gravel 1 – 2 mm (Kg)	300	300	450	675	750	1050	1800	2200	3300
Total weight in operation (Kg)	2000	2700	3700	4900	6100	7900	12550	13760	20200

THIS CHART APPLIES ONLY TO HIGH PERFORMANCE OSLO, OLOT AND AMPURIA BOBBIN WOUND FILTERS

BOBBIN WOUND FILTERS



Vertical high performance bobbin wound filters

General features:

- 100% resistant to corrosion unlike conventional steel filters
- Maximum operating temperature 50° C
- Comply with European standards for pressure vessels 97/23/CE included in section 3 of article 3
- Hydraulic pressure test 1.5 times the maximum admissible pressure

Technical features of internal components:

- Internal components and pipe in PVC
- Laterals and nozzles in PP
- Airwash connection in models with underdrain nozzle plates
- Bolts, nuts and washers in AISI-316
- EPDM seals and gaskets.

Advantages of using an underdrain nozzle plate system over the conventional lateral system:

- There are no areas beneath the nozzles for water to stagnate as could occur in a lateral system
- Optimum filter bed back wash with an uniform water distribution
- Possibility of air wash with consequent saving of clean water
- The lateral manhole is recommended for sand discharge



Oslo

Olot

DOES NOT INCLUDE VALVE MANIFOLD

The characteristics of liquids to be filtered should be indicated clearly when requesting ozone or other chemical resistant coatings for the filter interior.

MEDIA RECOMMENDATIONS:

MULTILAYER - Nozzle plate - Filtration bed 1.2 m												
Diameter mm		1050	1200	1400	1600	1800	2000	2350	2500	2600	2800	3000
Hydroanthracite (0.8-1.6) Kg	600 mm	450	575	775	1000	1275	1575	2175	2450	2548	2956	3550
Sand (0.4-0.8) Kg	400 mm	475	625	825	1100	1400	1700	2350	2675	2973	3448	3850
Gravel (1-2) Kg	100 mm	150	175	250	300	400	500	675	775	796	924	1100
Gravel (3-5) Kg	100 mm	150	175	250	300	400	500	675	775	796	924	1100
MULTILAYER - Nozzle plate - Filtration bed 1.5 m												
Diameter mm		1050	1200	1400	1600	1800	2000	2350	2500	2600	2800	3000
Hydroanthracite (0.8-1.6) Kg	600 mm	450	575	775	1000	1275	1575	2175	2450	2548	2956	3550
Sand (0.4-0.8) Kg	600 mm	725	950	1250	1650	2100	2550	3525	4025	4460	5172	5775
Gravel (1-2) Kg	100 mm	150	175	250	300	400	500	675	775	796	924	1100
Gravel (2-3) Kg	100 mm	150	175	250	300	400	500	675	775	796	924	1100
Gravel (3-5) Kg	100 mm	150	175	250	300	400	500	675	775	796	924	1100
SINGLELAYER - Nozzle plate - Filtration bed 1.2 m												
Diameter mm		1050	1200	1400	1600	1800	2000	2350	2500	2600	2800	3000
Sand (0.4-0.8) Kg	1100 mm	1300	1775	2300	3000	3800	4650	6300	7075	8176	9483	10575
Gravel (1-2) Kg	100 mm	150	175	250	300	400	500	675	775	796	924	1100
SINGLELAYER - Nozzle plate - Filtration bed 1.5 m												
Diameter mm		1050	1200	1400	1600	1800	2000	2350	2500	2600	2800	3000
Sand (0.4-0.8) Kg	1200 mm	1450	1900	2500	3300	4200	5100	7050	8050	8920	10345	11550
Gravel (1-2) Kg	100 mm	150	175	250	300	400	500	675	775	7964	9236	1100
Gravel (2-3) Kg	100 mm	150	175	250	300	400	500	675	775	7964	9236	1100
Gravel (3-5) Kg	100 mm	150	175	250	300	400	500	675	775	7964	9236	1100
MULTILAYER - Collector arms - Filtration bed 1.2 m												
Diameter mm		1050	1200	1400	1600	1800	2000	2350	2500	2600	2800	3000
Hydroanthracite (0.8-1.6) Kg	600 mm	450	575	775	1000	1275	1575	2175	2450	2548	2956	3550
Sand (0.4-0.8) Kg	400 mm	475	625	825	1100	1400	1700	2350	2675	2973	3448	3850
Gravel (2-3) Kg	100 mm	150	175	250	300	400	500	675	775	796	924	1100
Gravel (3-5) Kg	100 mm (1)	300	350	500	775	850	1150	1800	1975	2123	2463	3850
SINGLELAYER - Collector arms - Filtration bed 1.2 m												
Diameter mm		1050	1200	1400	1600	1800	2000	2350	2500	2600	2800	3000
Sand (0.4-0.8) Kg	1100 mm	1300	1775	2300	3000	3800	4650	6300	7075	8176	9483	10575
Gravel (1-2) Kg	100 mm (1)	300	350	500	775	850	1150	1800	1975	2123	2463	3850

Densities: Hydroanthracite = 0.8 Kg/dm³ - Sand = 1.4 Kg/dm³ - Gravel = 1.5 Kg/dm³

(1) 100 mm above laterals

Filtration bed 1.2 m



DOES NOT INCLUDE VALVE MANIFOLD

- ALTERNATIVE HEIGHTS AVAILABLE UNDER SPECIAL ORDER.
- SOME FILTER VESSELS FROM Ø 2000 mm AND ABOVE MAY REQUIRE SPECIAL TRANSPORT. PLEASE ASK FOR A QUOTATION AT THE TIME OF YOUR ENQUIRY.



Lateral manhole Ø 400 mm



Nozzle plate



Sightglass

BOBBIN WOUND FILTERS



Oslo filters

Features:

Vertical high performance bobbin wound filters

Collector system:

A -Conventional collector system using laterals with 0.3 mm slots

For working pressure of 2.5 and 4 bars.

B -Nozzle plate with 0.5 mm slots. For working pressure of 2.5 and 4 bars.

Fitted with:

- Pressure gauge panel
- Manual air vent and water purge

Options:

- Positioning of water connections flanges, sightglasses and manhole covers are provided according to customer specification.
- Diameters of connections and purges depend on customer specifications
- For other variations such as height, chemical resistant internal coating, pressure rating, etc., please enquire.

Maximum working pressure 2.5 Kg/cm²

Diameter Ø mm	Filtration velocity m ³ /h/m ²	Outlet Ø mm	Flow m ³ /h	Code	Standard Packaging	Standard Weight Kg	Standard Volume m ³
1050	30	75	25	04611	1	207	2.5
	40	90	34	04612	1	207	2.5
1200	30	75	33	04613	1	234	3.2
	40	110	45	04650	1	234	3.2
1400	30	90	46	04615	1	294	4.7
	40	125	61	04616	1	294	4.7
1600	30	110	60	04619	1	360	6.2
	40	140	80	04651	1	360	6.2
1800	30	125	76	04623	1	416	8.5
	40	160	101	04624	1	416	8.5
2000	30	125	94	04626	1	483	10.3
	40	160	125	04652	1	483	10.3
2350	30	140	130	08693	1	651	15.8
	40	200	175	08694	1	651	15.8
2500	30	160	150	08704	1	820	20.8
	40	225	200	08706	1	820	20.8
3000	30	200	212	08708	1	1300	31.0
	40	250	282	08710	1	1300	31.0

Filtration bed 1.2 m



DOES NOT INCLUDE
VALVE MANIFOLD

- SOME FILTER VESSELS FROM \varnothing 2000 mm AND ABOVE MAY REQUIRE SPECIAL TRANSPORT VEHICLE. PLEASE ASK FOR A QUOTATION AT THE TIME OF YOUR ENQUIRY.

NOTE: The lateral manholes (\varnothing 400 mm or \varnothing 225 m) are recommended for filters with nozzle collector plates for the emptying of filter media.

BOBBIN WOUND FILTERS



Oslo filters

Maximum working pressure 4 Kg/cm²

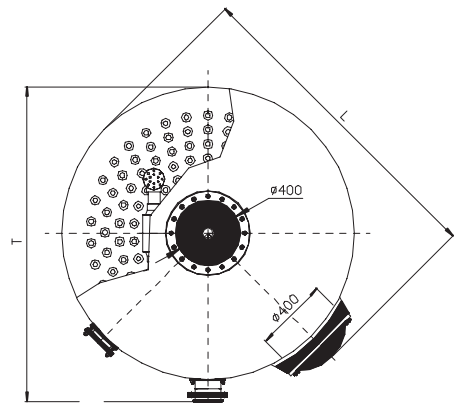
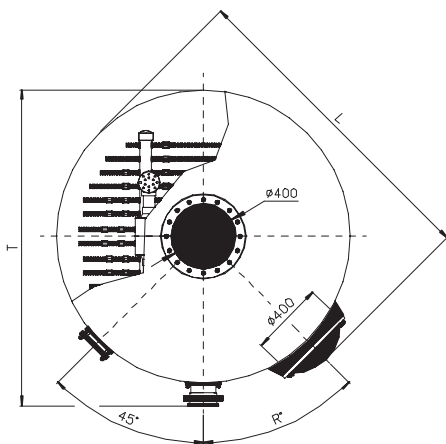
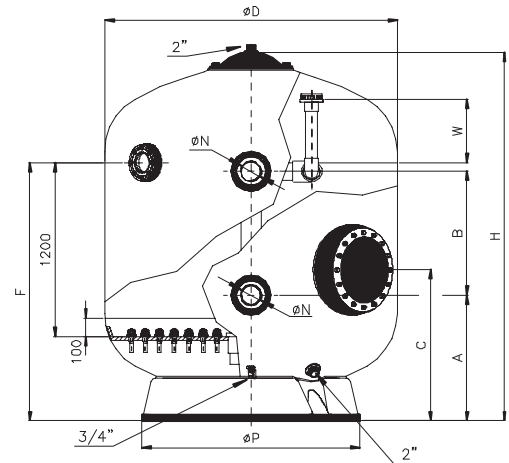
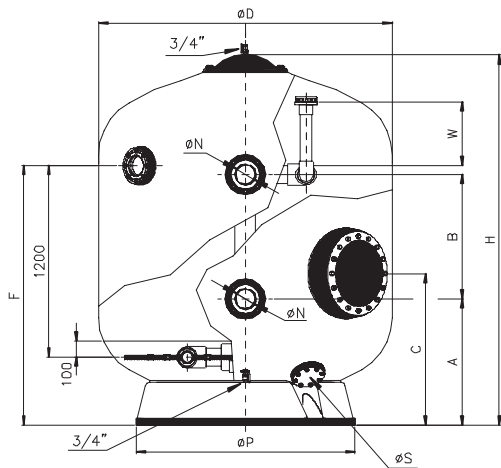
Diameter \varnothing mm	Filtration velocity m ³ /h/m ²	Outlet \varnothing mm	Flow m ³ /h	Code	Standard Packaging	Standard Weight Kg	Standard Volume m ³
1050	30	75	25	05168	1	230	2.5
	40	90	34	05173	1	230	2.5
1200	30	75	33	05169	1	265	3.2
	40	110	45	05174	1	265	3.2
1400	30	90	46	07436	1	364	4.7
	40	125	61	07437	1	364	4.7
1600	30	110	60	05170	1	442	6.2
	40	140	80	05175	1	442	6.2
1800	30	125	76	07438	1	518	8.5
	40	160	101	07439	1	518	8.5
2000	30	125	94	05171	1	644	10.3
	40	160	125	05176	1	644	10.3
2350	30	140	130	05172	1	786	15.8
	40	200	175	05177	1	786	15.8
2500	30	160	150	08712	1	964	20.8
	40	225	200	08714	1	964	20.8
3000	30	200	212	08716	1	1613	31.0
	40	250	282	08718	1	1613	31.0

Note: Codification options according to table on page 147

BOBBIN WOUND FILTERS



Oslo filters



Oslo With laterals

Oslo with nozzle plate

ϕD (mm)	Filtration velocity ($m^3/hr/m^2$)	ϕN (mm)	2.5 bar		4 bar		Flow m^3/h	Filtration area m^2	Volume (l)	A (mm)	B (mm)	C (mm)	F (mm)	H (mm)	L (mm)	ϕP (mm)	R (mm)	ϕS (mm)	T (mm)	W (mm)	Total weight in oper. Kg
			Code	Code	Code	Code															
1050	30	75	DN65	04611	05168	25	0.86	1500	650	940	770	1550	2070	1240	750	55	90	1220	325	2450	
	40	90	DN80	04612	05173	34															
1200	30	75	DN65	04613	05169	33	1.13	1860	670	830	770	1550	2080	1390	940	45	90	1380	350	3000	
	40	110	DN100	04650	05174	45															
1400	30	90	DN80	04615	07436	46	1.54	2700	680	820	840	1570	2175	1590	1085	45	90	1570	350	4300	
	40	125	DN110	04616	07437	61															
1600	30	110	DN100	04619	05170	60	2.01	3620	780	800	870	1625	2310	1790	1230	45	140	1780	400	5825	
	40	140	DN125	04651	05175	80															
1800	30	125	DN110	04623	07438	76	2.54	4725	790	780	950	1625	2320	1990	1370	45	140	2000	400	7300	
	40	160	DN150	04624	07439	101															
2000	30	125	DN110	04626	05171	94	3.14	5800	790	840	950	1695	2460	2190	1550	45	140	2200	400	9000	
	40	160	DN150	04652	05176	125															
2350	30	140	DN125	08693	05172	130	4.34	8800	1065	700	1130	1850	2720	2550	1830	45	140	2550	500	13750	
	40	200	DN175	08694	05177	175															
2500	30	160	DN150	08704	08712	150	4.90	9850	1125	450	1080	1760	2750	2700	2000	45	140	2750	500	14885	
	40	225	DN200	08706	08714	200															
3000	30	200	DN175	08708	08716	212	7.07	15350	1150	600	1140	1870	2950	3200	2365	45	140	3200	500	21615	
	40	250	DN225	08710	08718	282															

Filtration bed 1.2 and 1.5 m



DOES NOT INCLUDE VALVE MANIFOLD

•SOME FILTER VESSELS FROM Ø 2000 mm AND ABOVE MAY REQUIRE SPECIAL TRANSPORT VEHICLE. PLEASE ASK FOR A QUOTATION AT THE TIME OF YOUR ENQUIRY.

BOBBIN WOUND FILTERS



Olot filters

Features:

Collector system:

Nozzle plate with 0.5 mm slots, working pressure 2.5 bar.

Fitted with:

- Pressure gauge panel
- Manual air vent and water purge
- Air wash connection flange
- Ø 400 mm manhole

Options:

- Positioning of water connection flanges, sightglasses and manhole covers are provided according to customer specifications.
- Diameters of connections and purges depend on customer specifications.
- Please enquire for the variations such as height, chemical resistant internal coating, pressure rating, etc...

According to DIN 19605/19643 Standard

Maximum working pressure 2.5 Kg/cm²

Filtration bed 1.2 m

Diameter Ø mm	Filtration velocity m ³ /h/m ²	Outlet Ø mm	Flow m ³ /h	Code	Standard Packaging	Standard Weight Kg	Standard Volume m ³
1050	30	110	25	07355	1	265	2.95
1200	30	125	33	07356	1	345	3.86
1400	30	140	46	07447	1	380	5.22
1600	30	160	60	07357	1	420	7.09
1800	30	200	76	07448	1	470	9.09
2000	30	225	94	07358	1	540	11.25
2350	30	250	130	07359	1	825	16.20
2500	30	250	150	19335	1	940	24.40
2600	30	250	160	23969	1	1021	25.21
2800	30	250	185	23970	1	1135	29.50
3000	30	250	212	19336	1	1425	30.00

Filtration bed 1.5 m

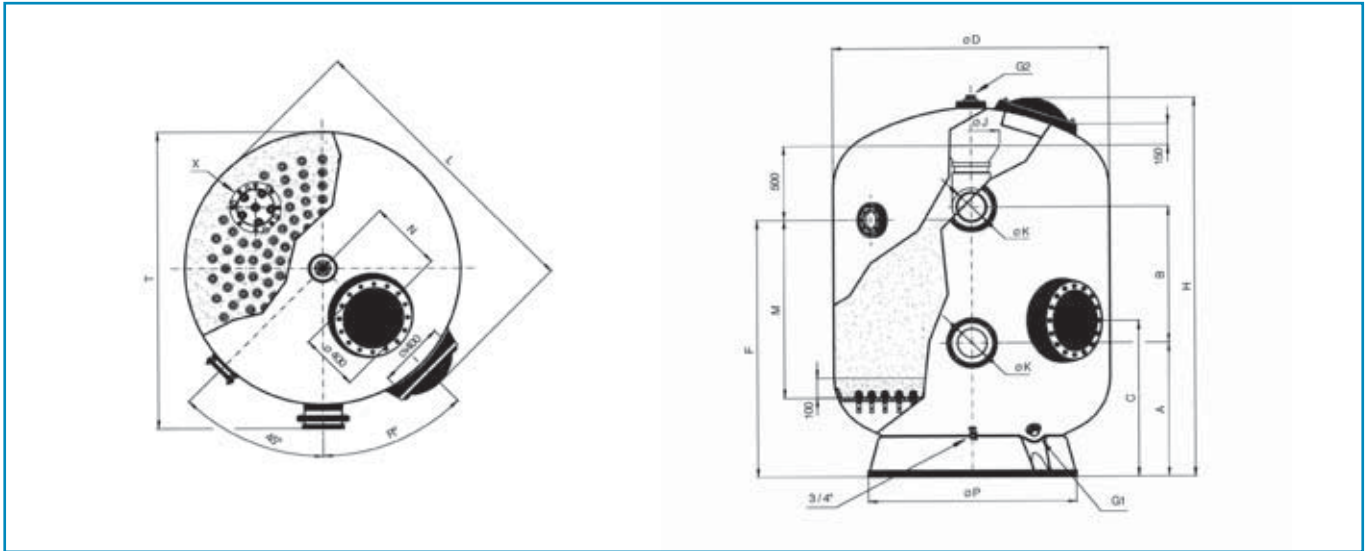
Diameter Ø mm	Filtration velocity m ³ /h/m ²	Outlet Ø mm	Flow m ³ /h	Code	Standard Packaging	Standard Weight Kg	Standard Volume m ³
1050	30	110	25	18227	1	285	3.21
1200	30	125	33	18228	1	385	4.20
1400	30	140	46	18229	1	420	5.68
1600	30	160	60	18230	1	460	7.69
1800	30	200	76	18231	1	515	9.58
2000	30	225	94	18232	1	625	12.90
2350	30	250	130	18233	1	920	17.50
2500	30	250	150	19337	1	1010	25.87
2600	30	250	160	23971	1	1144	26.51
2800	30	250	185	23972	1	1264	30.63
3000	30	250	212	19338	1	1590	32.12

Note: Codification options according to table on page 147

BOBBIN WOUND FILTERS



Olot filters



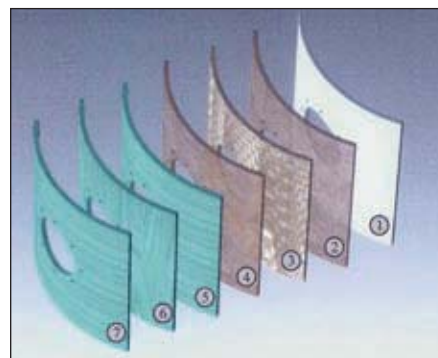
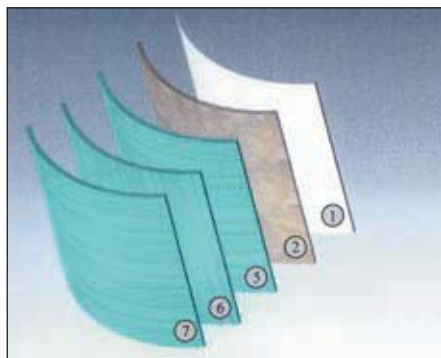
Ø D (mm)	1050	1200	1400	1600	1800	2000	2350	2500	2600	2800	3000	
Filtration velocity (m ³ /h/m ²)	30	30	30	30	30	30	30	30	30	30	30	
Ø K (mm)	110	125	140	160	200	225	250	250	250	250	250	
	DN100	DN110	DN125	DN150	DN175	DN200	DN225	DN225	DN225	DN225	DN225	
FILTRATION BED 1.2 m	Code	07355	07356	07447	07357	07448	07358	07359	19335	23969	23970	19336
	H (mm)	2380	2400	2420	2520	2570	2660	2800	2850	2920	3030	2900
	F (mm)	1615	1635	1645	1690	1740	1750	1870	1870	1880	1920	1880
	Vol. (l)	1735	2175	3000	4350	5450	6650	9575	11700	12800	15500	18000
	Total weight in operation (kg)	2600	3325	4475	6250	7500	9625	13600	15500	16650	19500	22500
FILTRATION BED 1.5 m	Code	18227	18228	18229	18230	18231	18232	18233	19337	23971	23972	19338
	H (mm)	2680	2700	2720	2820	2870	2960	3100	3150	3220	3330	3200
	F (mm)	1915	1935	1945	1990	2040	2050	2170	2170	2180	2220	2180
	Vol (l)	1995	2745	3590	5150	6350	7650	11255	12950	14100	16900	19700
	Total weight in operation (kg)	3000	3900	5300	7150	8750	11250	15800	17950	19400	22600	26250
Flow rate (m³/h)	25	33	46	60	76	94	130	150	160	185	212	
Filtration area (m²)	0.86	1.13	1.54	2.01	2.54	3.14	4.34	4.90	5.31	6.16	7.07	
Nozzle number	59	78	102	134	168	200	286	333	333	381	433	
A (mm)	700	700	830	830	900	950	1050	1100	1160	1230	1140	
B (mm)	1000	1000	900	950	920	760	680	600	600	650	600	
C (mm)	830	840	840	870	950	950	1130	1100	1200	1230	1220	
L (mm)	1240	1390	1600	1810	1990	2194	2550	2720	2800	3000	3220	
Ø P (mm)	730	940	1080	1230	1390	1550	1850	2050	2050	2200	2360	
T (mm)	1220	1380	1570	1780	2000	2240	2630	2750	2800	3000	3270	
N (mm)	0	130	130	400	450	480	550	700	600	600	720	
Ø X Inspection lid (mm)	125	250	250	250	250	250	250	250	250	250	250	
° R	55°	45°	45°	45°	45°	45°	45°	45°	45°	45°	45°	
Ø J (mm)	380	380	380	380	380	380	600	600	600	600	600	
Ø G1	2"	2"	2"	2"	75	75	75	75	90	110	140	
Ø G2*	2"	2"	2"	2"	2"	2"	75	75	75	75	75	

* In models Ø 1050 mm, 1200 mm and 1400 mm, this fitting is fitted on to the cover.

BOBBIN WOUND FILTERS

Construction features of the filter according to DIN 18820:

- (1) Chemical protective gel-coat barrier isoneopenligical type CSS-UP3. Superior hardness and resistance to the abrasion of sand and salt water. Complies with German standard KTW recommendations and certified by LVHT. The optional vinylester layer for protection against ozone is of the CCS-PHAS class.
- (2) Polyester reinforced laminated resin with randomly orientated fibreglass filament GF-UP1 type.
- Reinforced in MW areas under greater stress with an additional woven matting, alternating non-aligned (4) with aligned fibres (3).
- Bobbin wound layers using computer controlled machinery that lay down a set of radial bobbin layers (5) (7) on the cylindrical part and a set of polar layers (6) along the entire filter body with type GF-UP1. The most essential features of these filters is their great mechanical resistance that enables them to withstand greater internal pressures.
- All filters are submitted to a seasoning process at a temperature of 60°C.



Ø 1050 mm and Ø 1200 mm Rodas filters



Ø 1050 mm
Ø 1200 mm

General features:

- Resistant to corrosion unlike conventional steel filters
- Excellent relation between filter weight and its mechanical characteristics
- Maximum operating temperature 50°C
- Comply with European standards for pressure vessels 97/23/CE included in section 3 of article 3.
- Hydraulic pressure test 1.5 times the maximum admissible pressure
- Resistance and thickness calculations are based on norms BS-4994 and AD Merkblatt N1

Fitted with:

- Pressure gauge panel
- Manual air relief valve and water drain
- Ø 400 mm lateral manhole and Ø 140 mm top port

Characteristics of internal components:

- Internal components and pipe in PVC
- PP laterals with 0.3 slots
- Bolts, nuts and washers in AISI-316
- EPDM seals and gaskets

Filtration bed 0.6 m
BOBBIN WOUND FILTERS

Ø 1050 mm and Ø 1200 mm Rodas filters


DOES NOT INCLUDE
VALVE MANIFOLD

Ø 1050 mm
Ø 1200 mm

Maximum working pressure 2.5 Kg/cm²
Filters Ø 1050 mm

Filter length mm	Filtration velocity m ³ /h/m ²	Outlet Ø mm	Flow m ³ /h	Code	Standard Packaging	Standard Weight Kg	Standard Volume m ³
1900	20	75	34	05102	1	230	2.95
	30	90	52	05105	1	230	2.95
	40	110	69	05108	1	230	2.95
2300	20	110	42	11331	1	280	3.57
	30	125	64	11332	1	280	3.57
	40	140	85	11333	1	280	3.57
2500	20	110	46	24842	1	305	3.88
	30	125	70	24843	1	305	3.88
	40	140	93	24844	1	305	3.88
2700	20	110	50	11334	1	330	4.20
	30	125	75	11335	1	330	4.20
	40	140	100	11336	1	330	4.20
3000	20	110	56	22647	1	370	4.67
	30	140	84	22648	1	370	4.67
	40	160	112	22649	1	370	4.67

Filters Ø 1200 mm

Filter length mm	Filtration velocity m ³ /h/m ²	Outlet Ø mm	Flow m ³ /h	Code	Standard Packaging	Standard Weight Kg	Standard Volume m ³
1900	20	110	39	22650	1	270	3.08
	30	125	59	22651	1	270	3.08
	40	140	79	22652	1	270	3.08
2300	20	110	48	22653	1	330	3.73
	30	140	73	22654	1	330	3.73
	40	160	97	22655	1	330	3.73
2500	20	125	53	24845	1	360	4.05
	30	140	79	24846	1	360	4.05
	40	160	106	24847	1	360	4.05
2700	20	125	57	22656	1	390	4.38
	30	140	86	22657	1	390	4.38
	40	160	115	22658	1	390	4.38
3000	20	125	64	22659	1	435	4.86
	30	140	96	22660	1	435	4.86
	40	160	129	22661	1	435	4.86

Filtration bed 0.6 m

BOBBIN WOUND FILTERS



Ø 1050 mm and Ø 1200 mm Rodas filters



DOES NOT INCLUDE
VALVE MANIFOLD

Ø 1050 mm
Ø 1200 mm

Maximum working pressure 4 Kg/cm²

Filters Ø 1050 mm

Filter length mm	Filtration velocity m ³ /h/m ²	Outlet Ø mm	Flow m ³ /h	Code	Standard Packaging	Standard Weight Kg	Standard Volume m ³
1900	20	75	34	07124	1	270	2.95
	30	90	52	07125	1	270	2.95
	40	110	69	07126	1	270	2.95
2300	20	110	42	11321	1	330	3.57
	30	125	64	11322	1	330	3.57
	40	140	85	11323	1	330	3.57
2500	20	110	46	25016	1	355	3.88
	30	125	70	25017	1	355	3.88
	40	140	93	25018	1	355	3.88
2700	20	110	50	11326	1	380	4.20
	30	125	75	11327	1	380	4.20
	40	140	100	11328	1	380	4.20
3000	20	110	56	22683	1	420	4.67
	30	140	84	22684	1	420	4.67
	40	160	112	20895	1	420	4.67

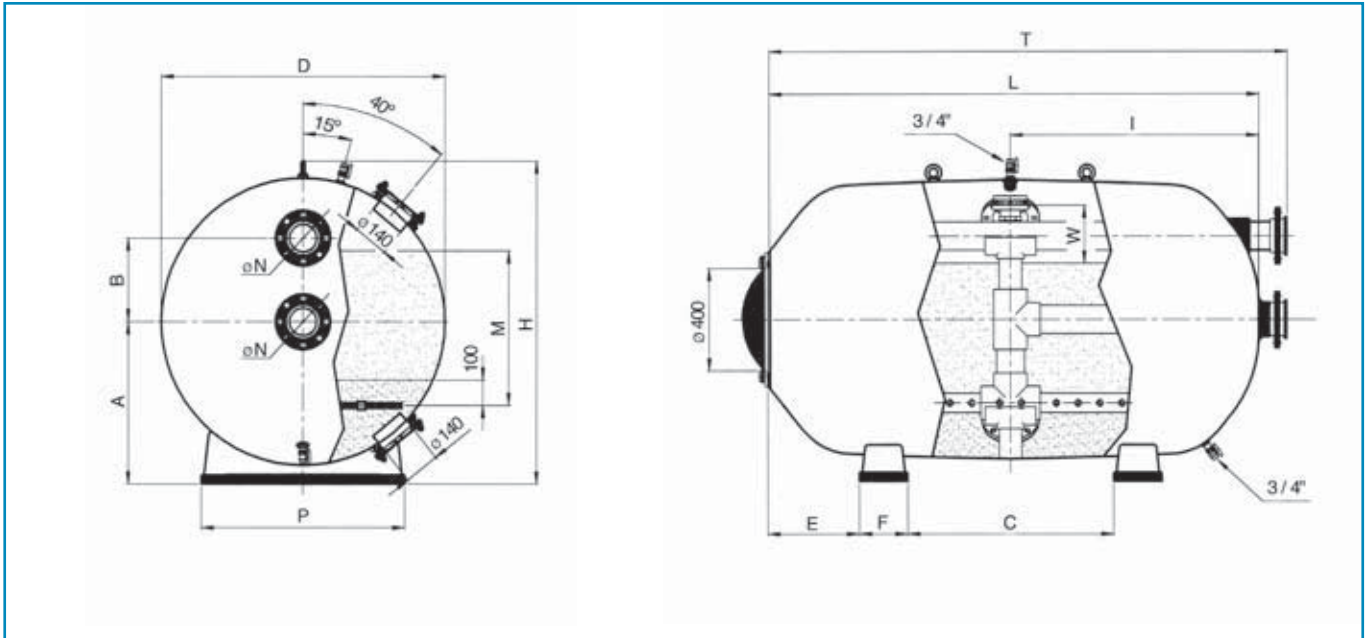
Filters Ø 1200 mm

Filter length mm	Filtration velocity m ³ /h/m ²	Outlet Ø mm	Flow m ³ /h	Code	Standard Packaging	Standard Weight Kg	Standard Volume m ³
1900	20	110	39	22685	1	310	3.08
	30	125	59	22686	1	310	3.08
	40	140	79	22687	1	310	3.08
2300	20	110	48	22688	1	375	3.73
	30	140	73	22689	1	375	3.73
	40	160	97	20897	1	375	3.73
2500	20	125	53	25019	1	410	4.05
	30	140	79	25020	1	410	4.05
	40	160	106	25021	1	410	4.05
2700	20	125	57	22690	1	440	4.38
	30	140	86	22691	1	440	4.38
	40	160	115	20898	1	440	4.38
3000	20	125	64	22692	1	480	4.86
	30	140	96	22693	1	480	4.86
	40	160	129	20899	1	480	4.86

BOBBIN WOUND FILTERS



Ø 1050 mm and Ø 1200 mm Rodas filters



Length (mm)	Filtration velocity (m ³ /hr/m ²)	Ø N (mm)	2.5 bar		4 bar		Flow m ³ /h	Filtration area m ²	Volume (l)	A (mm)	B (mm)	C (mm)	E (mm)	F (mm)	H (mm)	I (mm)	P (mm)	T (mm)	W (mm)	Total weight in oper. Kg	Sand charge	
			Code	Code	1 - 1.2 mm	0.4 - 0.8 mm																
Diameter 1050 mm - Height of filtration bed 0.6 m.																						
1900	20	75	DN65	05102	07124	34	1.72	1480	630	325	760	380	190	1260	950	800	2160	170	2530	350	950	
	30	90	DN80	05105	07125	52																
	40	110	DN100	05108	07126	69																
2300	20	110	DN100	11331	11321	42	2.12	1820	630	325	1000	460	190	1260	1150	800	2560	170	3100	475	1250	
	30	125	DN110	11332	11322	64																
	40	140	DN125	11333	11323	85																
2500	20	110	DN100	24842	25016	46	2.32	2000	630	325	1120	500	190	1260	1250	800	2760	170	3380	575	1525	
	30	125	DN110	24843	25017	70																
	40	140	DN125	24844	25018	93																
2700	20	110	DN100	11334	11326	50	2.51	2170	630	325	1240	540	190	1260	1350	800	2960	170	3670	700	1800	
	30	125	DN110	11335	11327	75																
	40	140	DN125	11336	11328	100																
3000	20	110	DN100	22647	22683	56	2.81	2430	630	325	1420	600	190	1260	1500	800	3260	170	4100	775	20250	
	30	140	DN125	22648	22684	84																
	40	160	DN150	22649	20895	112																
Diameter 1200 mm - Height of filtration bed 0.6 m.																						
1900	20	75	DN100	22650	22685	39	1.96	1900	725	325	760	380	200	1390	950	900	2130	225	3220	425	1100	
	30	90	DN110	22651	22686	59																
	40	110	DN125	22652	22687	79																
2300	20	110	DN100	22653	22688	48	2.42	2350	725	325	1000	460	200	1390	1150	900	2530	225	3960	550	1425	
	30	125	DN125	22654	22689	73																
	40	140	DN150	22655	20897	97																
2500	20	110	DN110	24845	25019	53	2.65	2580	725	325	1120	500	200	1390	1250	900	2750	225	4320	700	1750	
	30	125	DN125	24846	25020	79																
	40	140	DN150	24847	25021	106																
2700	20	110	DN110	22656	22690	57	2.87	2800	725	325	1240	540	200	1390	1350	900	2950	225	4690	825	2075	
	30	125	DN125	22657	22691	86																
	40	140	DN150	22658	20898	115																
3000	20	110	DN110	22659	22692	64	3.21	3140	725	325	1420	600	200	1390	1500	900	3250	225	5240	925	2325	
	30	140	DN125	22660	22693	96																
	40	160	DN150	22661	20899	129																

MEDIA RECOMMENDATIONS - Sand = 1.4 Kg/dm³ - Gravel = 1.5 Kg/dm³

Filtration bed 0.8 and 1 m



DOES NOT INCLUDE VALVE
MANIFOLD

Ø 1400 mm
Ø 1600 mm
Ø 1800 mm

BOBBIN WOUND FILTERS



Ø 1400 mm, Ø 1600 mm and Ø 1800 mm Rodas filters

General features:

- Resistant to corrosion unlike conventional steel filters
- Maximum operating temperature 50°C
- Comply with European standards for pressure vessels 97/23/CE included in section 3 of article 3
- Hydraulic pressure test 1.5 times the maximum admissible pressure

Fitted with:

- Pressure gauge panel
- Manual air relief valve and water purge
- Ø 400 mm lateral manhole

Characteristics of internal components:

- Internal components and pipe in PVC
- PP laterals with 0.3 mm slots
- Bolts, nuts and washers in AISI-316
- EPDM seals and gaskets

Maximum working pressure 2.5 Kg/cm²

Filters Ø 1400 mm - Filtration bed 0.8 m

Filter length mm	Filtration velocity m ³ /h/m ²	Outlet Ø mm	Flow m ³ /h	Code	Standard Packaging	Standard Weight Kg	Standard Volume m ³
1900	20	110	45	24848	1	340	4.84
	30	125	67	24849	1	340	4.84
	40	140	89	24850	1	340	4.84
2500	20	110	60	24854	1	435	6.23
	30	140	91	24855	1	435	6.23
	40	160	121	24856	1	435	6.23
3000	20	125	73	24860	1	530	7.44
	30	160	110	24861	1	530	7.44
	40	200	147	24862	1	530	7.44

Filters Ø 1600 mm - Filtration bed 1 m

Filter length mm	Filtration velocity m ³ /h/m ²	Outlet Ø mm	Flow m ³ /h	Code	Standard Packaging	Standard Weight Kg	Standard Volume m ³
1900	20	110	49	22662	1	400	5.49
	30	140	74	22663	1	400	5.49
	40	160	99	22664	1	400	5.49
2500	20	140	67	24866	1	520	7.18
	30	160	101	24867	1	520	7.18
	40	200	134	24868	1	520	7.18
3000	20	140	82	22671	1	620	8.60
	30	160	123	22672	1	620	8.60
	40	200	164	22673	1	620	8.60

Filtration bed 0.8 and 1 m



DOES NOT INCLUDE VALVE MANIFOLD

**Ø 1400 mm
Ø 1600 mm
Ø 1800 mm**

BOBBIN WOUND FILTERS



Ø 1400 mm, Ø 1600 mm and Ø 1800 mm Rodas filters

Maximum working pressure 2.5 Kg/cm²

Filters Ø 1800 mm - Filtration bed 1 m

Filter length mm	Filtration velocity m ³ /h/m ²	Outlet Ø mm	Flow m ³ /h	Code	Standard Packaging	Standard Weight Kg	Standard Volume m ³
2500	20	125	75	24875	1	585	10.40
	30	160	112	24876	1	585	10.40
	40	200	150	24877	1	585	10.40
3000	20	140	92	24881	1	700	12.25
	30	160	137	24882	1	700	12.25
	40	200	183	24883	1	700	12.25
3500	20	140	108	24887	1	875	14.20
	30	200	162	24888	1	875	14.20
	40	225	216	24889	1	875	14.20
4000	20	160	125	24893	1	930	16.00
	30	200	187	24894	1	930	16.00
	40	225	250	24895	1	930	16.00

Maximum working pressure 4 Kg/cm²

Filters Ø 1400 mm - Filtration bed 0.8 m

Filter length mm	Filtration velocity m ³ /h/m ²	Outlet Ø mm	Flow m ³ /h	Code	Standard Packaging	Standard Weight Kg	Standard Volume m ³
1900	20	110	45	25022	1	385	4.84
	30	125	67	25023	1	385	4.84
	40	140	89	25024	1	385	4.84
2500	20	110	60	25028	1	485	6.23
	30	140	91	25029	1	485	6.23
	40	160	121	25030	1	485	6.23
3000	20	125	73	25034	1	585	7.44
	30	160	110	25035	1	585	7.44
	40	200	147	25036	1	585	7.44

Filtration bed 0.8 and 1 m



DOES NOT INCLUDE VALVE MANIFOLD

Ø 1400 mm
 Ø 1600 mm
 Ø 1800 mm

BOBBIN WOUND FILTERS



Ø 1400 mm, Ø 1600 mm and Ø 1800 mm Rodas filters

Maximum working pressure 4 Kg/cm²

Filters Ø 1600 mm - Filtration bed 1 m

Filter length mm	Filtration velocity m ³ /h/m ²	Outlet Ø mm	Flow m ³ /h	Code	Standard Packaging	Standard Weight Kg	Standard Volume m ³
1900	20	110	49	22694	1	450	5.49
	30	140	74	22695	1	450	5.49
	40	160	99	20900	1	450	5.49
2500	20	140	67	25040	1	570	7.18
	30	160	101	25041	1	570	7.18
	40	200	134	25042	1	570	7.18
3000	20	140	82	22700	1	685	8.60
	30	160	123	22701	1	685	8.60
	40	200	164	20903	1	685	8.60

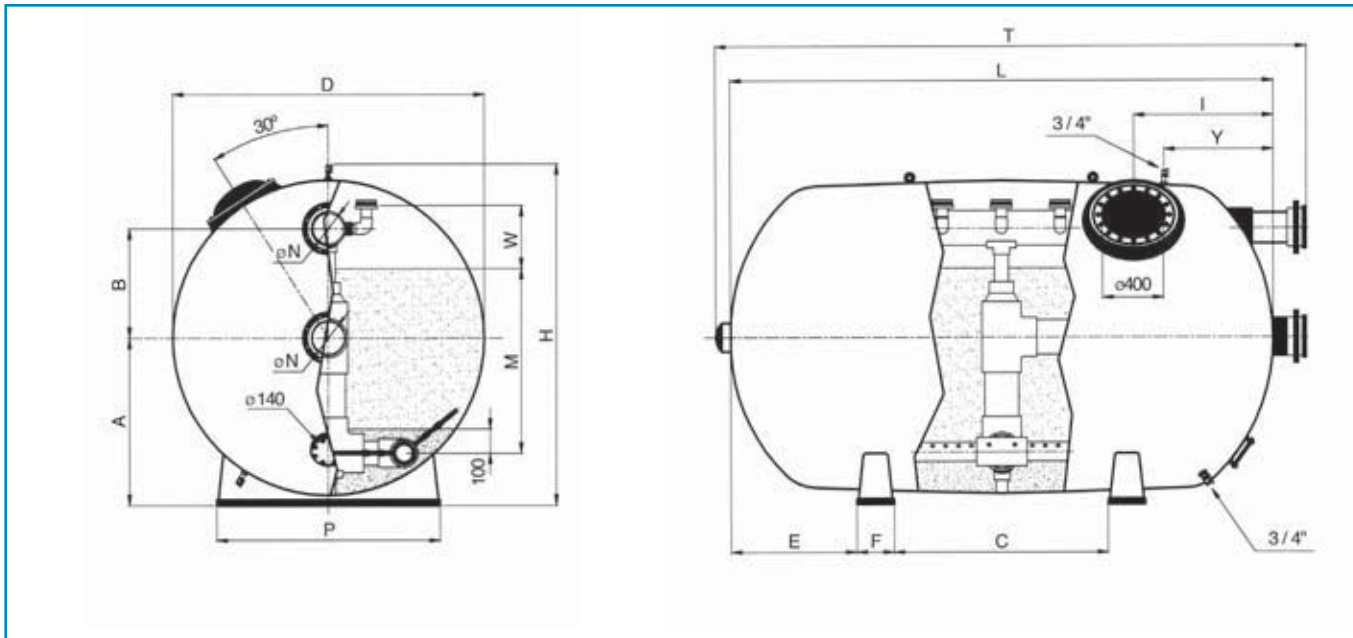
Filters Ø 1800 mm - Filtration bed 1 m

Filter length mm	Filtration velocity m ³ /h/m ²	Outlet Ø mm	Flow m ³ /h	Code	Standard Packaging	Standard Weight Kg	Standard Volume m ³
2500	20	125	75	25049	1	680	10.40
	30	160	112	25050	1	680	10.40
	40	200	150	25051	1	680	10.40
3000	20	140	92	25055	1	805	12.25
	30	160	137	25056	1	805	12.25
	40	200	183	25057	1	805	12.25
3500	20	140	108	25061	1	930	14.20
	30	200	162	25062	1	930	14.20
	40	225	216	25063	1	930	14.20
4000	20	160	125	25067	1	1055	16.00
	30	200	187	25068	1	1055	16.00
	40	225	250	25069	1	1055	16.00

BOBBIN WOUND FILTERS



Ø 1400 mm, Ø 1600 mm and Ø 1800 mm Rodas filters



Length (mm)	Filtration velocity (m ³ /h/m ²)	Ø N (mm)	2.5 bar		4 bar	Flow m ³ /h	Filtration area m ²	Volume (l)	A (mm)	B (mm)	C (mm)	E (mm)	F (mm)	H (mm)	I (mm)	P (mm)	T (mm)	W (mm)	Y (mm)	Total weight in oper. Kg	Sand charge	
			Code	Code																	Granulometry 1 - 1.2 mm	0.4 - 0.8 mm
Diameter 1400 mm - Filtration bed 0.8 m.																						
1900	20	110	DN100	24848	25022	45	2.23	2530	810	390	720	380	210	1600	820	1080	2160	220	1380	4250	575	2100
	30	125	DN110	24849	25023	67																
	40	140	DN125	24850	25024	89																
2500	20	110	DN100	24854	25028	60	3.02	3460	810	390	1080	500	210	1600	820	1080	2780	220	1380	5740	800	2825
	30	140	DN125	24855	25029	91																
	40	160	DN150	24856	25030	121																
3000	20	125	DN110	24860	25034	73	3.67	4230	810	390	1380	600	210	1600	820	1080	3320	220	1380	6990	1000	3450
	30	160	DN150	24861	25035	110																
	40	200	DN175	24862	25036	147																
Diameter 1600 mm - Filtration bed 1 m.																						
1900	20	110	DN100	22662	22694	49	2.47	3220	925	475	470	475	240	1830	800	1230	2220	250	1380	5420	600	2850
	30	140	DN125	22663	22695	74																
	40	160	DN150	22664	20900	99																
2500	20	140	DN125	24866	25040	67	3.36	4430	925	475	1020	500	240	1830	800	1230	2820	250	1380	7400	850	3875
	30	160	DN150	24867	25041	101																
	40	200	DN175	24868	25042	134																
3000	20	140	DN125	22671	22700	82	4.1	5430	925	475	1320	600	240	1830	800	1230	3360	250	1380	9020	1050	4750
	30	160	DN150	22672	22701	123																
	40	200	DN175	22673	20903	164																
Diameter 1800 mm - Filtration bed 1 m.																						
2500	20	125	DN110	24875	25049	75	3.74	5530	1040	550	1020	380	270	2050	870	1380	2820	350	1250	9170	975	4850
	30	160	DN150	24876	25050	112																
	40	200	DN175	24877	25051	150																
3000	20	140	DN125	24881	25055	92	4.58	6800	1040	550	1320	460	270	2050	870	1380	3320	350	1500	11230	1225	5925
	30	160	DN150	24882	25056	137																
	40	200	DN175	24883	25057	183																
3500	20	140	DN125	24887	25061	108	5.41	8070	1040	550	1620	500	270	2050	870	1380	3850	350	1750	13290	1475	7000
	30	200	DN175	24888	25062	162																
	40	225	DN200	24889	25063	216																
4000	20	160	DN150	24893	25067	125	6.25	9340	1040	550	1920	540	270	2050	870	1380	4350	350	2000	15350	1700	8075
	30	200	DN175	24894	25068	187																
	40	225	DN200	24895	25069	250																

MEDIA RECOMMENDATIONS - Sand = 1.4 Kg/dm³ - Gravel = 1.5 Kg/dm³

Filtration bed 1
and 1.2 m



Ø 2000 mm
Ø 2350 mm

DOES NOT INCLUDE VALVE
MANIFOLD

BOBBIN WOUND FILTERS



Ø 2000 mm and Ø 2350 mm Rodas filters

General features:

- Resistant to corrosion unlike conventional steel filters
- Maximum operating temperature 50°C
- Comply with European standards for pressure vessels 97/23/CE included in section 3 of article 3
- Hydraulic pressure test 1.5 times the maximum admissible pressure

Fitted with:

- Pressure gauge panel
- Manual air relief valve and water purge
- Ø 400 mm lateral manhole

Characteristics of internal components:

- Internal components and pipe in PVC
- PP laterals with 0.3 mm slots
- Bolts, nuts and washers in AISI-316
- EPDM seals and gaskets

Maximum working pressure 2.5 Kg/cm²

Filters Ø 2000 mm

Filter length mm	Filtration velocity m ³ /h/m ²	Outlet Ø mm	Flow rate m ³ /h	Code	Standard Packaging	Standard Weight Kg	Standard Volume m ³
2500	20	140	87	05103	1	650	13.20
	30	160	130	05106	1	650	13.20
	40	200	174	05109	1	650	13.20
3000	20	140	106	24899	1	775	15.65
	30	160	159	24900	1	775	15.65
	40	200	212	24901	1	775	15.65
3500	20	160	125	05104	1	900	18.10
	30	200	187	05107	1	900	18.10
	40	225	250	05110	1	900	18.10
4000	20	160	144	24908	1	1025	20.55
	30	200	216	24909	1	1025	20.55
	40	225	288	24910	1	1025	20.55
4500	20	200	163	24914	1	1150	23.00
	30	225	245	24915	1	1150	23.00
	40	250	326	24916	1	1150	23.00

Filtration bed 1
and 1.2 m



DOES NOT INCLUDE VALVE
MANIFOLD

Ø 2000 mm
Ø 2350 mm

BOBBIN WOUND FILTERS



Ø 2000 mm and Ø 2350 mm Rodas filters

Maximum working pressure 2.5 Kg/cm²

Filters Ø 2350 mm

Filter length mm	Filtration velocity m ³ /h/m ²	Outlet Ø mm	Flow rate m ³ /h	Code	Standard Packaging	Standard Weight Kg	Standard Volume m ³
3000	20	160	119	24917	1	1350	20.25
	30	200	178	24918	1	1350	20.25
	40	225	238	24919	1	1350	20.25
3500	20	160	141	17120	1	1500	23.00
	30	200	212	16696	1	1500	23.00
	40	225	282	17121	1	1500	23.00
4000	20	200	163	24926	1	1650	25.75
	30	225	245	24927	1	1650	25.75
	40	250	327	24928	1	1650	25.75
4500	20	200	186	22674	1	1800	28.50
	30	225	279	22675	1	1800	28.50
	40	250	371	22676	1	1800	28.50
5000	20	200	208	24935	1	1950	31.25
	30	250	312	24936	1	1950	31.25
	40	350	416	24937	1	1950	31.25

Maximum working pressure 4 Kg/cm²

Filters Ø 2000 mm

Filter length mm	Filtration velocity m ³ /h/m ²	Outlet Ø mm	Flow rate m ³ /h	Code	Standard Packaging	Standard Weight Kg	Standard Volume m ³
2500	20	140	87	07127	1	795	13.20
	30	160	130	07128	1	795	13.20
	40	200	174	07129	1	795	13.20
3000	20	140	106	25073	1	945	15.65
	30	160	159	25074	1	945	15.65
	40	200	212	25075	1	945	15.65
3500	20	160	125	07130	1	1100	18.10
	30	200	187	07131	1	1100	18.10
	40	225	250	07132	1	1100	18.10
4000	20	160	144	25082	1	1260	20.55
	30	200	216	25083	1	1260	20.55
	40	225	288	25084	1	1260	20.55
4500	20	200	163	25088	1	1420	23.00
	30	225	245	25089	1	1420	23.00
	40	250	326	25090	1	1420	23.00

Filtration bed 1
and 1.2 m



DOES NOT INCLUDE VALVE
MANIFOLD

Ø 2000 mm
Ø 2350 mm

BOBBIN WOUND FILTERS



Ø 2000 mm and Ø 2350 mm Rodas filters

Maximum working pressure 4 Kg/cm²

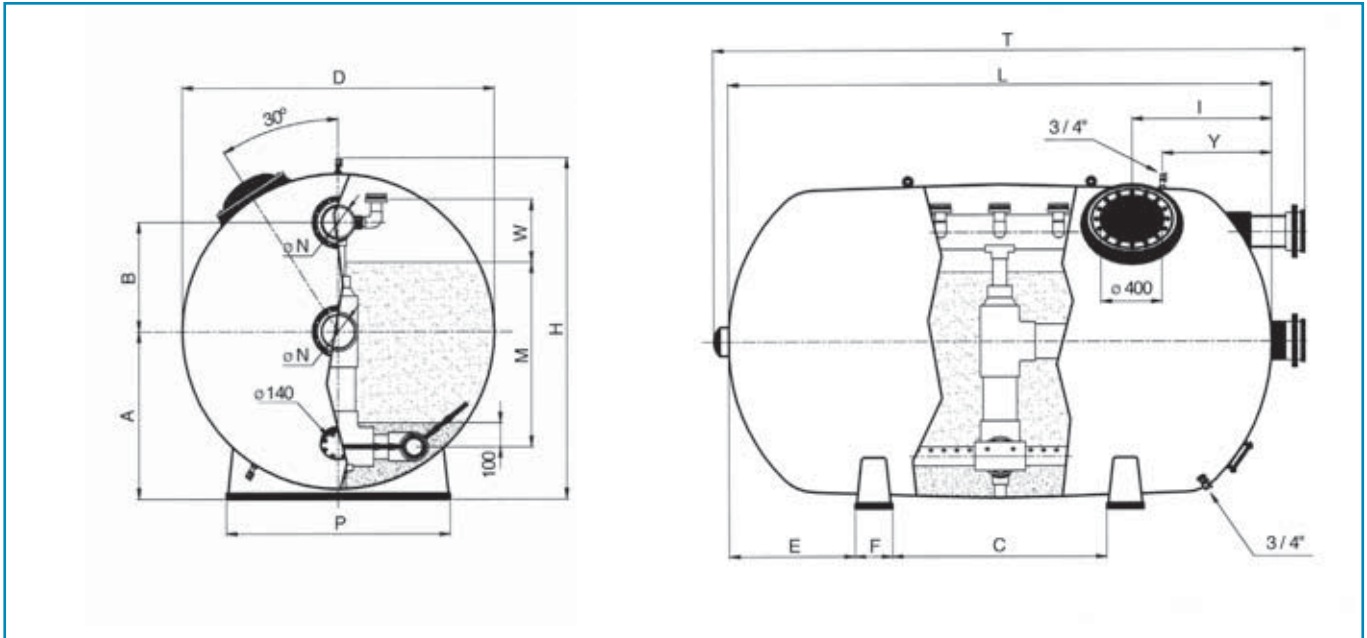
Filters Ø 2350 mm

Filter length mm	Filtration velocity m ³ /h/m ²	Outlet Ø mm	Flow rate m ³ /h	Code	Standard Packaging	Standard Weight Kg	Standard Volume m ³
3000	20	160	119	25091	1	1150	20.25
	30	200	178	25092	1	1150	20.25
	40	225	238	25093	1	1150	20.25
3500	20	160	141	22702	1	1300	23.00
	30	200	212	22703	1	1300	23.00
	40	225	282	22704	1	1300	23.00
4000	20	200	163	25100	1	1450	25.75
	30	225	245	25101	1	1450	25.75
	40	250	327	25102	1	1450	25.75
4500	20	200	186	22705	1	1600	28.50
	30	225	279	22706	1	1600	28.50
	40	250	371	22707	1	1600	28.50
5000	20	200	208	25109	1	1750	31.25
	30	250	312	25110	1	1750	31.25
	40	350	416	25111	1	1750	31.25

BOBBIN WOUND FILTERS



Ø 2000 mm and Ø 2350 mm Rodas filters



Length (mm)	Filtration velocity (m ³ /h/m ²)	Ø N (mm)	2.5 bar		Flow m ³ /h	Filtration area m ²	Volume (l)	A (mm)	B (mm)	* C (mm)	E (mm)	F (mm)	H (mm)	I (mm)	P (mm)	T (mm)	W (mm)	Y (mm)	Total weight in oper. Kg	Sand charge		
			Code	Code																1 - 1.2 mm	0.4 - 0.8 mm	
Diameter 2000 mm - Filtration bed 1 - 1.2 m.																						
2500	20	140	DN125	05103	07127	87	4.34	6900	1090	710	500	500	500	2220	925	1470	2820	410	1250	11300	1050	6575
	30	160	DN150	05106	07128	130															M=1.2 m	M=1.2 m
	40	200	DN175	05109	07129	174															M=1.2 m	M=1.2 m
3000	20	140	DN125	24899	25073	106	5.3	8470	1090	710	810	600	500	2220	925	1470	3320	410	1500	13790	1300	8025
	30	160	DN150	24900	25074	159															M=1.2 m	M=1.2 m
	40	200	DN175	24901	25075	212															M=1.2 m	M=1.2 m
3500	20	160	DN150	05104	07130	125	6.25	10040	1090	710	1070	725	500	2220	925	1470	3850	410	1750	16280	1550	9475
	30	200	DN175	05107	07131	187															M=1.2 m	M=1.2 m
	40	225	DN200	05110	07132	250															M=1.2 m	M=1.2 m
4000	20	160	DN150	24908	25082	144	7.21	11600	1090	710	650	600	500	2220	925	1470	4350	410	2000	18780	1800	10925
	30	200	DN175	24909	25083	216															M=1.2 m	M=1.2 m
	40	225	DN200	24910	25084	288															M=1.2 m	M=1.2 m
4500	20	200	DN175	24914	25088	163	8.16	13180	1090	710	795	600	500	2220	925	1470	4880	410	2250	21380	2075	12375
	30	225	DN200	24915	25089	245															M=1.2 m	M=1.2 m
	40	250	DN225	24916	25090	326															M=1.2 m	M=1.2 m
Diameter 2350 mm - Filtration bed 1 - 1.2 m.																						
3000	20	160	DN150	24917	25091	119	5.94	11130	1270	710	800	600	500	2560	925	1740	3350	500	1500	18300	2575	9300
	30	200	DN175	24918	25092	178															M=1.2 m	M=1.2 m
	40	225	DN200	24919	25093	238															M=1.2 m	M=1.2 m
3500	20	160	DN150	17120	22702	141	7.06	13300	1270	710	1100	700	500	2560	925	1740	3850	500	1750	21790	3125	11050
	30	200	DN175	16696	22703	212															M=1.2 m	M=1.2 m
	40	225	DN200	17121	22704	282															M=1.2 m	M=1.2 m
4000	20	200	DN175	24926	25100	163	8.17	15470	1270	710	650	600	500	2560	925	1740	4380	500	2000	25280	3650	12800
	30	225	DN200	24927	25101	245															M=1.2 m	M=1.2 m
	40	250	DN225	24928	25102	327															M=1.2 m	M=1.2 m
4500	20	200	DN175	22674	22705	186	9.28	17640	1270	710	820	700	500	2560	925	1740	4880	500	2250	28880	4200	14525
	30	225	DN200	22675	22706	279															M=1.2 m	M=1.2 m
	40	250	DN225	22676	22707	371															M=1.2 m	M=1.2 m
5000	20	200	DN175	24935	25109	208	10.4	19800	1270	710	600	600	500	2560	925	1740	5440	500	2500	32380	4750	16250
	30	250	DN225	24936	25110	312															M=1.2 m	M=1.2 m
	40	315	DN250	24937	25111	416															M=1.2 m	M=1.2 m

MEDIA RECOMMENDATIONS: Hydroanthracite = 0.8 Kg/dm³ - Sand = 1.4 Kg/dm³ - Gravel = 1.5 Kg/dm³

*With lengths (dimension L) of 4000 mm or more, an additional central support is provided.

Filtration bed 1 and 1.2 m



Ø 2500 mm

- ALL FILTER VESSELS FROM Ø 2.5 m AND ABOVE WILL REQUIRE SPECIAL TRANSPORT VEHICLE. PLEASE ASK FOR A QUOTATION AT THE TIME OF YOUR ENQUIRY. DOES NOT INCLUDE VALVE MANIFOLD

BOBBIN WOUND FILTERS



Ø 2500 mm Rodas filters

General features:

- Resistant to corrosion unlike conventional steel filters
- Maximum operating temperature 50°C
- Comply with European standards for pressure vessels 97/23/CE included in section 3 of article 3
- Hydraulic pressure test 1.5 times the maximum admissible pressure

Fitted with:

- Pressure gauge panel
- Manual air relief valve and water purge
- Ø 400 mm lateral manhole

Characteristics of internal components:

- Internal components and pipe in PVC
- PP laterals with 0.3 mm slots
- Bolts, nuts and washers in AISI-316
- EPDM seals and gaskets

Maximum working pressure 2.5 Kg/cm²

Filters Ø 2500 mm

Filter length mm	Filtration velocity m ³ /h/m ²	Outlet Ø mm	Flow rate m ³ /h	Code	Standard Packaging	Standard Weight Kg	Standard Volume m ³
3500	20	160	149	24938	1	1285	28.00
	30	200	223	24939	1	1285	28.00
	40	225	297	24940	1	1285	28.00
4000	20	200	172	22677	1	1450	31.80
	30	225	258	22678	1	1450	31.80
	40	250	345	22679	1	1450	31.80
4500	20	200	196	24947	1	1615	35.55
	30	250	294	24948	1	1615	35.55
	40	315	392	24949	1	1615	35.55
5000	20	200	220	22680	1	1780	39.30
	30	250	329	22681	1	1780	39.30
	40	315	439	22682	1	1780	39.30

Maximum working pressure 4 Kg/cm²

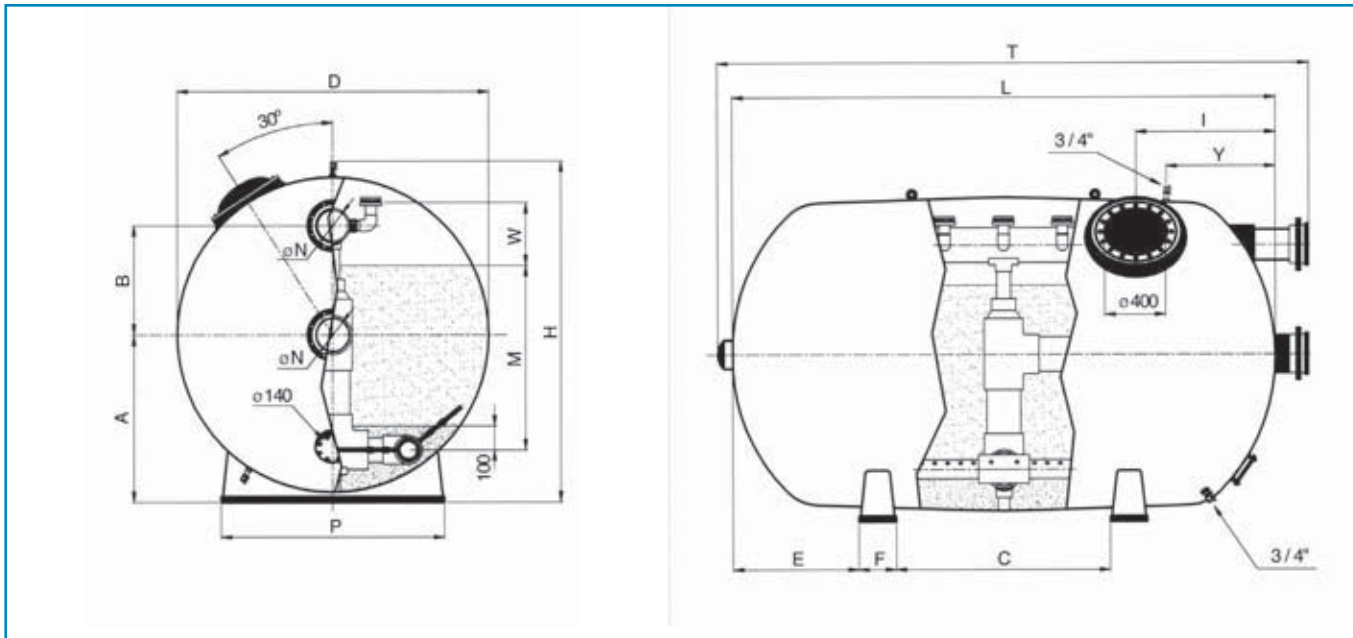
Filters Ø 2500 mm

Filter length mm	Filtration velocity m ³ /h/m ²	Outlet Ø mm	Flow rate m ³ /h	Code	Standard Packaging	Standard Weight Kg	Standard Volume m ³
3500	20	160	149	25112	1	1505	28.00
	30	200	223	25113	1	1505	28.00
	40	225	297	25114	1	1505	28.00
4000	20	200	172	22708	1	1670	31.80
	30	225	258	22709	1	1670	31.80
	40	250	345	22710	1	1670	31.80
4500	20	200	196	25121	1	1835	35.55
	30	250	294	25122	1	1835	35.55
	40	315	392	25123	1	1835	35.55
5000	20	200	220	22711	1	2000	39.30
	30	250	329	22712	1	2000	39.30
	40	315	439	22713	1	2000	39.30

BOBBIN WOUND FILTERS



Ø 2500 mm Rodas filters



Length (mm)	Filtration velocity (m ³ /h/m ²)	Ø N (mm)	2.5 bar		4 bar		Flow m ³ /h	Filtration area m ²	Volume (l)	A (mm)	B (mm)	* C (mm)	E (mm)	F (mm)	H (mm)	I (mm)	P (mm)	T (mm)	W (mm)	Y (mm)	Total weight in oper. Kg	Sand charge		
			Code	Code	1 - 1.2 mm	0.4 - 0.8 mm																		
Diameter 2500 mm - Filtration bed 1 - 1.2 m.																								
3500	20	160	DN150	24938	25112	149	7.34	14920	1360	710	960	770	500	2710	1300	1850	3850	500	1750	24320	3175	11675		
	30	200	DN175	24939	25113	223																	M=1.2 m	M=1.2 m
	40	225	DN200	24940	25114	297																		
4000	20	200	DN175	22677	22708	172	8.62	17380	1360	710	500	750	500	2710	1300	1850	4380	500	2000	28250	3725	13500		
	30	225	DN200	22678	22709	258																	M=1.2 m	M=1.2 m
	40	250	DN225	22679	22710	345																		
4500	20	200	DN175	24947	25121	196	9.80	19830	1360	710	750	750	500	2710	1300	1850	4940	500	2250	32300	4300	15350		
	30	250	DN225	24948	25122	294																	M=1.2 m	M=1.2 m
	40	315	DN250	24949	25123	392																		
5000	20	200	DN175	22680	22711	220	10.98	22300	1360	710	500	750	500	2710	1300	1850	5440	500	2500	36230	4850	17200		
	30	250	DN225	22681	22712	329																	M=1.2 m	M=1.2 m
	40	315	DN250	22682	22713	439																		

MEDIA RECOMMENDATIONS: Sand = 1.4 Kg/dm³ - Gravel = 1.5 Kg/dm³

*With lenghts (dimension L) of 4000 mm or more, an additional central support is provided.

BOBBIN WOUND FILTERS



Top or side manholes DN500 and DN600 for bobbin wound filters

Optional manhole access for bobbin wound filters in lateral or top position with nominal diameters of 500 and 600 mm. Designed to comply with DIN standard 19605 and to facilitate access in and out of the filter during maintenance work. Manholes are in fibreglass reinforced polyester in the form of a flange with concave lid and can only be integrated into the filter at the factory or by a specialist. The nut and bolt fastenings are removable, as apposed to the standard DN400 manholes.

The manhole options are available with the following bobbin wound filter diameters:

Manhole DN500 mm*

Filters from Ø 1200 mm to Ø 3000 mm

Manhole DN600 mm*

Filters from Ø 1800 mm to Ø 3000 mm

Optional manhole Ø 500 mm*

Optional manhole Ø 600 mm*

*Either lateral or top position

Code	Standard Packaging	Standard Weight Kg	Standard Volume m ³
27950	-	-	-
27951	-	-	-



MULTIPOINT VALVES

A wide range of valves which offers the New Generation series, the Classic series and Flat series with 1½" and 2" valve configurations. The Magnum series with 2½", 3" and 4" valves completes the range.

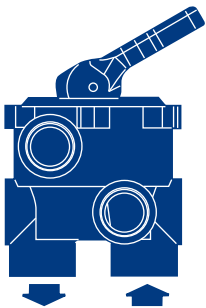


Multiport valve configurations

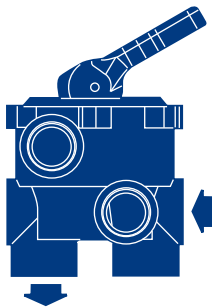
Multiport valves (MPV) are available in 5 different configurations. The inlet to the filter is called "TOP" and the outlet from the filter is called "BOTTOM".

- Conf. 1: Both filter inlet "Top" and filter outlet "Bottom" from and to the MPV base.
- Conf. 2: Filter inlet "Top" from the MPV base and filter outlet "Bottom" to the MPV side.
- Conf. 3: Filter inlet "Top" from the MPV side and filter outlet "Bottom" to the MPV base. This configuration can be supplied with pipework and connections for side mounting.
- Conf. 4: Both the filter inlet "Top" and the filter outlet "Bottom" from and to the MPV sides.
- Conf. 5: All inlets and outlets open.

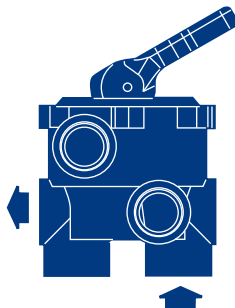
Configuration 1



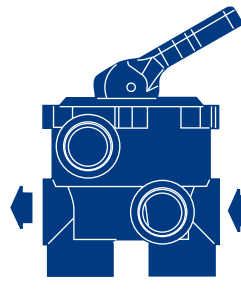
Configuration 2



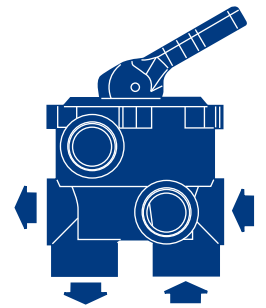
Configuration 3



Configuration 4



Configuration 5











Configuration 1: Commonly used for filters with top mounted multiport valve
 Configuration 3: Commonly used for filters with side mounted multiport valve

Six-way Multiport valve

A six-way valve to perform different functions in an hydraulic circuit: filtration, emptying, shut off, backwashing, circulation and rinsing of the filter. Its functional design, offers a wide range of possibilities of connection in any installation assuring a perfect sealing and easy operation.

When designing and choosing appropriate materials for manufacturing the different Multiport valve components, extreme care has been taken for assuring minimum friction and resistance, maximum security and an attractive finish. Housing, cover and handle are made of ABS, distributor in PPO, gaskets in EPDM and metallic components in S.S.

Models at a glance	New Generation			Classic		Flat	Magnum	
	1 ½" Eco	1 ½"	2"	1 ½"	2"	1 ½"	2 ½"	3"
								

MULTIPOINT VALVES

New generation of manual multipoint valves which incorporate a bayonet closing system (replacing bolts). This eases dismantling for maintenance and prevents rust. The range includes the 1½" and 2" versions, including a "Top Eco" version available in 1½".

1½" and 2" Multipoint valve with filter connections - New Generation

	Code	Standard Packaging	Standard Weight Kg	Standard Volume m³
Configuration 3 - 1½"	20569	6	14.0	0.079
Configuration 3 - 2"	28512	6	26.4	0.165
Configuration 3 - 1½" NPT	22355	-	-	-
Configuration 3 - 2" NPT	30788	-	-	-

New

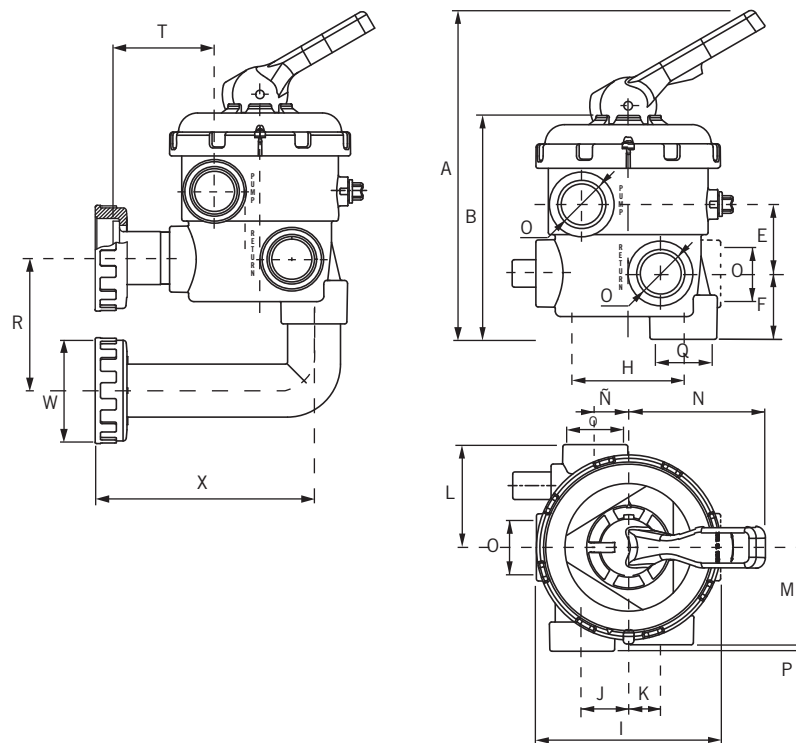


1½" and 2" Multipoint valve - New Generation

	Code	Standard Packaging	Standard Weight Kg	Standard Volume m³
Multipoint valve 1½" - Configuration 3	20043	-	11.5	0.079
Multipoint valve 2":				
Config. 1	28509	6	22.3	0.165
Config. 2	28510	6	22.3	0.165
Config. 3	28511	6	22.3	0.165
Config. 4	28513	6	22.3	0.165
Config. 5	28514	6	22.3	0.165
Multipoint valve 1½" NPT - Configuration 3	22356	-	-	-
Multipoint valve 2" NPT - Configuration 3	30795	-	-	-

New

Dimensions (mm)	A	B	E	F	H	I	J	K	L	M	N	Ñ	O	P	Q	R	T	W	X
1½"	294	205	64	61	-	-	43	30	95	90	121	31	1½"	6	50	125	97.5		211
2"	350	242	76	62.5	127	240	42	31.5	115.5	105.5	145	31.5	2"	5	63	230	120	96	247



MULTIPOINT VALVES

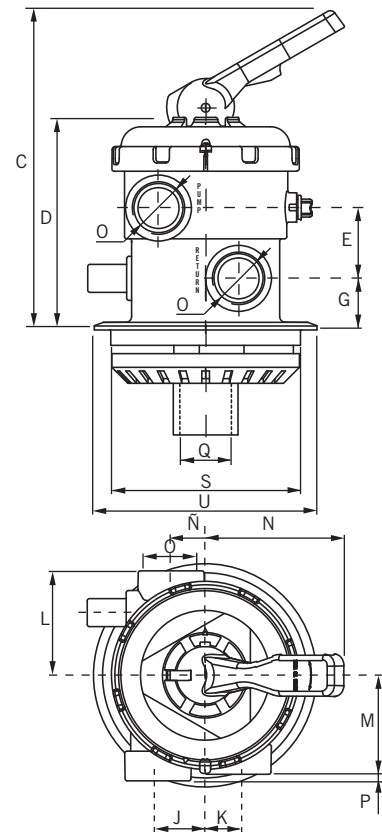
1½" and 2" multiport valve. Top Config. - New Generation



Top 1½" Multiport valve
 Top 2" Multiport valve
 Top 1½" NPT Multiport valve
 Top 2" NPT Multiport valve

Code	Standard Packaging	Standard Weight Kg	Standard Volume m³
20565	6	12.1	0.079
33968	1	3.95	0.028
22358	-	-	-
22492	-	-	-

New



Dimensions (mm)	C	D	E	G	J	K	L	M	N	Ñ	O	P	Q	S	U
1 ½"	280	193	64	47	43	30	95	90	121	31	1½"	6	50	173	203
2"	350	242	76	62.5	42	31.5	115.5	105.5	145	31.5	2"	5	63		208

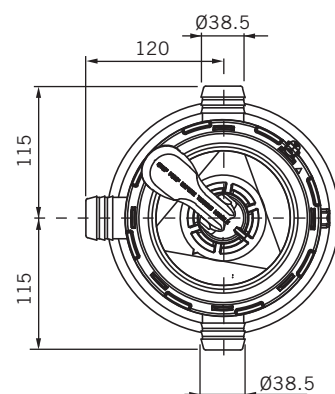
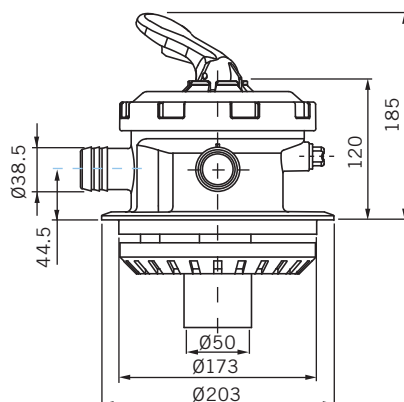
1½" Multiport valve. Top ECO version - New Generation



6-way multiport valve for above ground pool filters where the pressure does not exceed 1.5 bar, of maximum diameter 380 mm. Bayonet closing system.

Top ECO 1½" multiport valve

Code	Standard Packaging	Standard Weight Kg	Standard Volume m³
32583	6	8.83	0.082



MULTIPOINT VALVES

Manual multipoint valves with six channels to carry out different functions in an hydraulic circuit. Its design, basically functional, offers a wide range of possibilities of connection to any installation, assuring perfect water-tightness and comfortable handling.

1½" and 2" multipoint valve with filter connections - Classic



	Code	Standard Packaging	Standard Weight Kg	Standard Volume m³
1½" multipoint valve- Configuration 3	00599	6	15.5	0.079
2" multipoint valve- Configuration 3	07444	6	22.7	0.150
1½" NPT multipoint valve- Configuration 3	36609	-	-	-
2" NPT multipoint valve- Configuration 3	09848	-	-	-

New

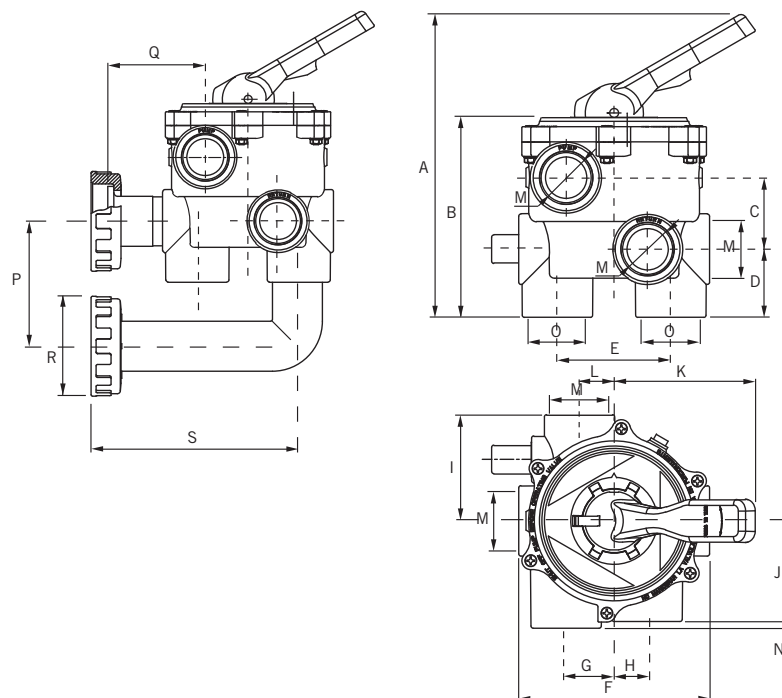
1½" and 2" multipoint valve - Classic



	Code	Standard Packaging	Standard Weight Kg	Standard Volume m³
1½" Multipoint valve: Configuration 1	00597	6	12.2	0.079
Configuration 3	00598	6	12.1	0.079
2" Multipoint valve: Configuration 3	07441	6	19.9	0.150
1½" NPT Multipoint valve: Configuration 3	06595	-	-	-
2" NPT: Configuration 3	07440	-	-	-

New

Dimensions (mm)	A	B	C	D	E	F	G	H	I	J	K	L	M	N	O	P	Q	R	S
1½"	271	180	64	61	101.5	172	43	30	95	90	121	31	1½"	6	50	125	97.5	96	211
2"	317	211	76	62.5	127	237	42	31.5	115.5	105.5	145	31.5	2"	5	63	230	120	96	247



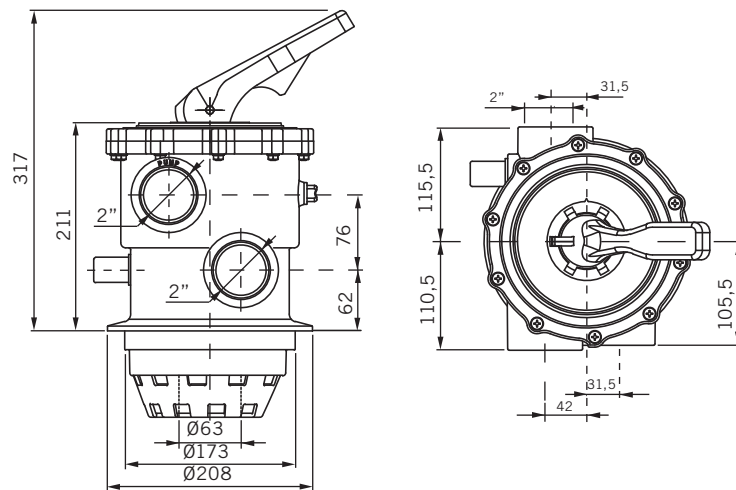
MULTIPORT VALVES

2" TOP multiport valve- Classic

6-way TOP multiport valve for residential pools. Body, cover and handle injected in ABS. 2" thread.



Code	Standard Packaging	Standard Weight Kg	Standard Volume m ³
22490	1	3.45	0.028



MULTIPOINT VALVES

Introducing a new multiport valve which for the first time features a special compact look thanks to its single-level design (compared to the normal twin-level set-up in other multiport valves). This reduced size makes the equipment especially suitable in installations where space is at a premium, such as in filter housing or monoblocks.

1 1/2" lateral multiport valve with filter connections - Flat



Configuration 3

Code	Standard Packaging	Standard Weight Kg	Standard Volume m ³
34543	1	-	-

1 1/2" lateral multiport valve - Flat



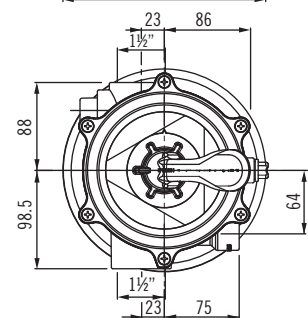
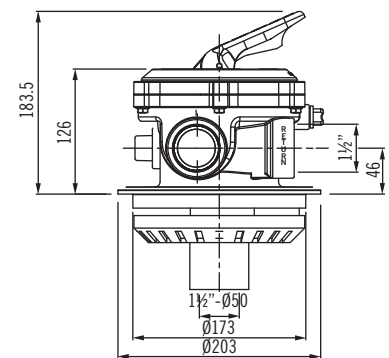
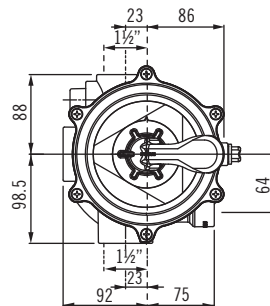
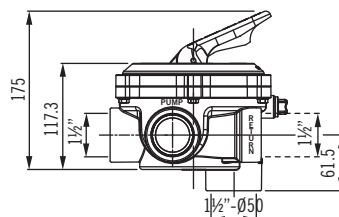
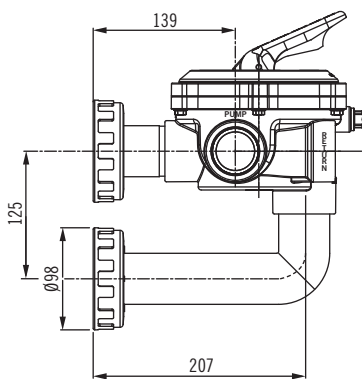
Configuration 3 (bottom port threaded)
Configuration 3 (bottom port solve weld)

Code	Standard Packaging	Standard Weight Kg	Standard Volume m ³
34544	1	-	-
34545	1	-	-

1 1/2" TOP multiport valve - Flat



Code	Standard Packaging	Standard Weight Kg	Standard Volume m ³
34546	1	-	-



MULTIPORT VALVES

Specially designed to support high working pressures and connection to large filters which require special connections. Choose from the models offered: 2 1/2", 3" and 4" multiport valves.



2 1/2" multiport valve with filter connections - Magnum

Multiport valve with connections.

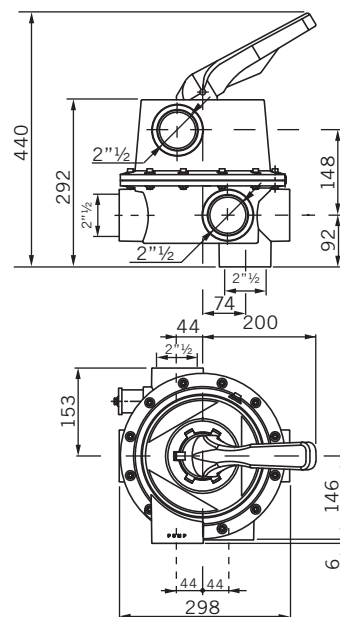
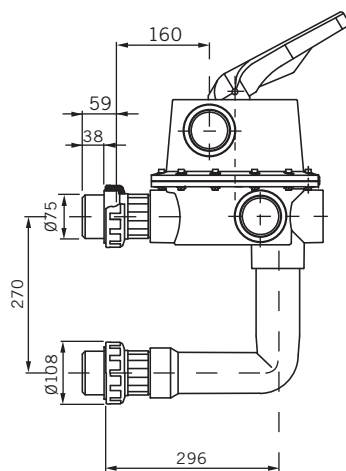
	Code	Standard Packaging	Standard Weight Kg	Standard Volume m ³
Configuration 3	24837	1	9.5	0.060
NPT Connections:				
Configuration 3	24840	-	-	- New



2 1/2" multiport valve - Magnum

Filter inlet from the side and outlet from the bottom. With connections to pool pipes.

	Code	Standard Packaging	Standard Weight Kg	Standard Volume m ³
Configuration 3	24838	1	8.2	0.061
NPT Connections:				
Configuration 3	24839	-	-	- New



MULTIPOINT VALVES



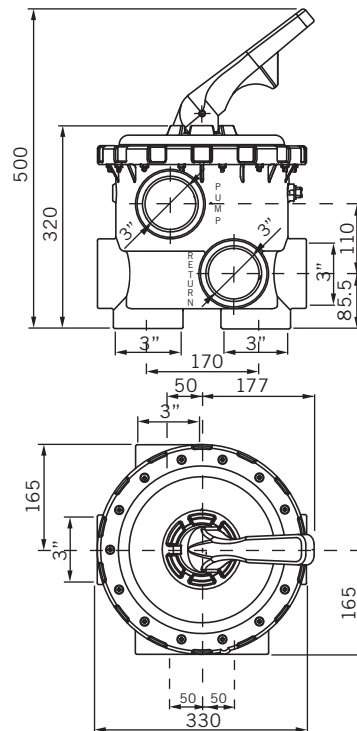
3" multiport valve - Magnum



Side mounted 6-way multiport valve for connecting to filters. Body and cover injected in ABS and fibre glass. Handle injected in ABS. Sealing system by stainless steel screws. Supplied with two plugs so that the customer can adapt the valve to the most suitable configuration.

	Code	Standard Packaging	Standard Weight Kg	Standard Volume m ³
	28515	1	9.8	0.064
Connections NPT	30798	-	-	-

New

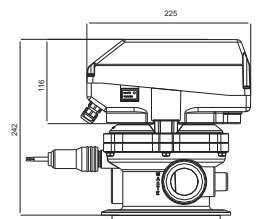
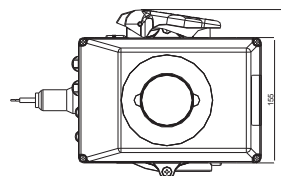
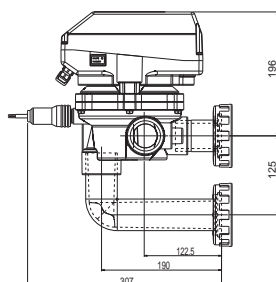


Automatic multiport valve System VRAC Flat 1 1/2"



Low-priced automatic multiport valve model that stands out for its easy operation. Voltage 230/115 volts. Controls filtration, backwashing, rinsing and emptying.

	Code	Standard Packaging	Standard Weight Kg	Standard Volume m ³
Top	43512	1	-	-
Lateral	43513	1	-	-



MULTIPOINT VALVES

New

1 1/2" - 2" automatic multiport valve - Config. 3 System VRAC Basic

Automatic multiport valve model provided with push button keyboard for operation. Voltage 230/115 volts. Controls filtration, backwashing, rinsing and emptying.



	Code	Standard Packaging	Standard Weight Kg	Standard Volume m ³
Basic 1 1/2" side mounted, Config. 3	32581	1	4.27	0.023
Basic 2" side mounted, Config. 3	32582	1	5.75	0.033

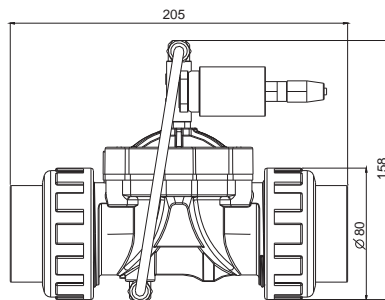
Is recommended to install the security Multiport valve (41898, 41899, 41897).

Hydraulic safety valve

The 1 1/2" hydraulic safety valve in the drain is specially designed for installation in the drain outlet of an automatic selector valve on a pool sand filter. Using it prevents water loss when the valve changes its working position or when the electricity flow fails and the valve remains in a position in which it could empty the pool. It is recommended in installations with SYSTEM VRAC multiport valves.



	Code	Standard Packaging	Standard Weight Kg	Standard Volume m ³
With 50 mm straight double connection	41898	1	-	-
With 1 1/2" BSP double hose connection	41899	1	-	-
With 50 mm straight body connection	41897	1	-	-



VALVE MANIFOLD



Valve manifold - Coding



All manifolds are supplied **disassembled** and **without support brackets**.
(For supports see page 187)

All valve manifolds (manual or automatically driven) are made of PVC (PN 10) with flanges for connection to filters as per DIN-2501 standard.

Butterfly valves or Ball valves in PVC.

Automatic valve manifold, driven either by electric power or pneumatically, for carrying out filtration, back washing, rinsing and shut down of the filters. Fitted with two valves without safety blocks (electric) or double acting (Pneumatic), and the remaining valves with safety blocks (electric) or spring return (pneumatic), to prevent an unexpected emptying of the installation.



Electric control panel:
See page 186



A: Electric driven without safety block
B: Pneumatic driven spring return

In order to simplify the ordering process for Catalogues and Price Lists we have introduced a new code structure of valve manifolds for filters. This new coding system consists in assigning a code for each manifold model as indicated in the tables below. In order to determine the code you must identify the **Type of filter, diameter** and the desired type of manifold according to the tables below.

For manifolds with more than one filter please consult.

Table to identify filter type.

BB	Bobbin wound Berlin filter, - 0.6 m height filter bed
BS	Bobbin wound Praga filter
BA	Bobbin wound Oslo filter
OL	Bobbin wound Olot filters 1.2 & 1.5 m bed depth
AM	Bobbin wound Ampuria filters 1.2 &* 1.5 m bed depth
HZ	Bobbin wound Rodas horizontal filters
EU	Laminated Europe filter
VP	Laminated Volcano filters, 0.6 m bed depth
VI	Bobbin wound Vic filter
VO	Laminated Vesubio filter, 1 m bed depth

Table to identify filter diameter:

10	1050
12	1200
14	1400
16	1600
18	1800
20	2000
23	2350
25	2500
26	2600
28	2800
30	3000

Examples:

- 1.- Manual manifold 4 Val. for Praga filter D.2000-140
- 2.- Electric manifold 5 Val. for Praga filter D.1800-125
- 3.- Manual manifold 5 Val. for Olot filter D.1200-125
- 4.- Pneumatic manifold 5 Val. for Vic filter D.2350-160

- | | Code | Filter type | Ø code |
|-----|---------------|-------------|--------|
| 1.- | 00767 | BS | 20 |
| 2.- | 00785E | BS | 18 |
| 3.- | 00785 | OL | 12 |
| 4.- | 09177N | VI | 23 |

VALVE MANIFOLD

Valve manifold for one filter

Ø	Code	Description	Ø	Code	Description
Manual Manifolds - 4 Valves			Manual Manifolds - 5 Valves		
63	00747	MANUAL MANIFOLD 4 VAL. D. 63	63	00769	MANUAL MANIFOLD 5 VAL. D. 63
75	00749	MANUAL MANIFOLD 4 VAL. D. 75	75	00771	MANUAL MANIFOLD 5 VAL. D. 75
90	00754	MANUAL MANIFOLD 4 VAL. D. 90	90	00776	MANUAL MANIFOLD 5 VAL. D. 90
110	00758	MANUAL MANIFOLD 4 VAL. D.110	110	00780	MANUAL MANIFOLD 5 VAL. D.110
125	00763	MANUAL MANIFOLD 4 VAL. D.125	125	00785	MANUAL MANIFOLD 5 VAL. D.125
140	00767	MANUAL MANIFOLD 4 VAL. D.140	140	00789	MANUAL MANIFOLD 5 VAL. D.140
160	09205	MANUAL MANIFOLD 4 VAL. D.160	160	09177	MANUAL MANIFOLD 5 VAL. D.160
200	09160	MANUAL MANIFOLD 4 VAL. D.200	200	09180	MANUAL MANIFOLD 5 VAL. D.200
225	09164	MANUAL MANIFOLD 4 VAL. D.225	225	09185	MANUAL MANIFOLD 5 VAL. D.225
250	26244	MANUAL MANIFOLD 4 VAL. D.250	250	19133	MANUAL MANIFOLD 5 VAL. D.250
Electric Manifolds - 4 valves			Electric Manifolds - 5 valves		
63	00747E	ELECTRIC MANIFOLD 4 VAL. D. 63	63	00769E	ELECTRIC MANIFOLD 5 VAL. D. 63
75	00749E	ELECTRIC MANIFOLD 4 VAL. D. 75	75	00771E	ELECTRIC MANIFOLD 5 VAL. D. 75
90	00754E	ELECTRIC MANIFOLD 4 VAL. D. 90	90	00776E	ELECTRIC MANIFOLD 5 VAL. D. 90
110	00758E	ELECTRIC MANIFOLD 4 VAL. D.110	110	00780E	ELECTRIC MANIFOLD 5 VAL. D.110
125	00763E	ELECTRIC MANIFOLD 4 VAL. D.125	125	00785E	ELECTRIC MANIFOLD 5 VAL. D.125
140	00767E	ELECTRIC MANIFOLD 4 VAL. D.140	140	00789E	ELECTRIC MANIFOLD 5 VAL. D.140
160	09205E	ELECTRIC MANIFOLD 4 VAL. D.160	160	09177E	ELECTRIC MANIFOLD 5 VAL. D.160
200	09160E	ELECTRIC MANIFOLD 4 VAL. D.200	200	09180E	ELECTRIC MANIFOLD 5 VAL. D.200
225	09164E	ELECTRIC MANIFOLD 4 VAL. D.225	225	09185E	ELECTRIC MANIFOLD 5 VAL. D.225
250	26244E	ELECTRIC MANIFOLD 4 VAL. D.250	250	19133E	ELECTRIC MANIFOLD 5 VAL. D.250
Pneumatic Manifolds - 4 Valves			Pneumatic Manifolds - 5 Valves		
63	00747N	PNEUMATIC MANIFOLD 4 VAL. D. 63	63	00769N	PNEUMATIC MANIFOLD 5 VAL. D. 63
75	00749N	PNEUMATIC MANIFOLD 4 VAL. D. 75	75	00771N	PNEUMATIC MANIFOLD 5 VAL. D. 75
90	00754N	PNEUMATIC MANIFOLD 4 VAL. D. 90	90	00776N	PNEUMATIC MANIFOLD 5 VAL. D. 90
110	00758N	PNEUMATIC MANIFOLD 4 VAL. D.110	110	00780N	PNEUMATIC MANIFOLD 5 VAL. D.110
125	00763N	PNEUMATIC MANIFOLD 4 VAL. D.125	125	00785N	PNEUMATIC MANIFOLD 5 VAL. D.125
140	00767N	PNEUMATIC MANIFOLD 4 VAL. D.140	140	00789N	PNEUMATIC MANIFOLD 5 VAL. D.140
160	09205N	PNEUMATIC MANIFOLD 4 VAL. D.160	160	09177N	PNEUMATIC MANIFOLD 5 VAL. D.160
200	09160N	PNEUMATIC MANIFOLD 4 VAL. D.200	200	09180N	PNEUMATIC MANIFOLD 5 VAL. D.200
225	09164N	PNEUMATIC MANIFOLD 4 VAL. D.225	225	09185N	PNEUMATIC MANIFOLD 5 VAL. D.225
250	26244N	PNEUMATIC MANIFOLD 4 VAL. D.250	250	19133N	PNEUMATIC MANIFOLD 5 VAL. D.250

CONTROL PANEL



Control panel for valve manifolds

Control panel for electrically or pneumatically actuated manifolds of 4 or 5 valves. For automatic filtration, backwashing, rinsing and shut-down operations. Fitted with automatic programming installation that enables the execution of all the required operations and can be personalised to suit your requirements. Quick and easy installation with numbered terminal connection strip.

Voltage 230 V single phase. Does not include valve manifold.

For 4 valves:

- 2 valves without block, 2 valves with block. Electric actuator
- 4 valves without block. Electric actuator
- 2 valves double acting, 2 valves spring return. Pneumatic actuator
- 4 valves double acting. Pneumatic actuator

For 5 valves:

- 2 valves without block, 3 valves with block. Electric actuator
- 5 valves without block. Electric actuator
- 2 valves double acting, 3 valves spring return. Pneumatic actuator
- 5 valves double acting. Pneumatic actuator

Code	Standard Packaging	Standard Weight Kg	Standard Volume m³
41005	1	6	0.04
41006	1	6	0.04
41009	1	6	0.04
41010	1	6	0.04
41007	1	6	0.04
41008	1	6	0.04
41011	1	6	0.04
41012	1	6	0.04

Distance between PVC valve manifold supports

Ø mm	NOMINAL PRESSURE			
	0.4 MPa	0.6 MPa	1.0 MPa	1.6 MPa
10	-	-	-	0.3
12	-	-	-	0.3
16	-	-	-	0.3
20	-	-	-	0.4
25	-	-	0.5	0.5
32	-	-	0.6	0.6
40	-	0.8	0.8	0.8
50	-	0.9	0.9	0.9
63	1.0	1.0	1.0	1.0
75	1.0	1.0	1.2	1.2
90	1.0	1.2	1.3	1.4
110	1.2	1.3	1.5	1.7
125	1.3	1.5	1.7	1.9
140	1.3	1.6	1.8	2.0
160	1.5	1.7	2.0	2.2
180	1.6	1.8	2.1	2.4
200	1.7	1.9	2.3	2.6
225	1.8	2.1	2.5	2.9
250	1.8	2.2	2.6	3.0
280	2.0	2.3	2.8	3.2
315	2.1	2.5	3.0	3.5
355	2.2	2.7	3.2	3.8
400	2.4	2.8	3.4	4.0
450	2.5	3.0	3.7	4.3
500	2.7	3.2	3.9	4.6

Factory programmed automation as follows:

	Type of actuator	
	Electric	Pneumatic
For 4 valves	2 valves without block	2 valves double acting
	2 valves with block	2 valves spring return
	Program A	Program C
	Code 41005	Código 41009
For 5 valves	4 valves without block	4 valves without block
	Program A	Program A
	Code 41006	Code 41010
	2 valves without block	2 valves double acting
	3 valves with block	3 valves spring return
	Program B	Program D
	Code 41007	Code 41011
	5 valves without block	5 valves double acting
Program B	Program B	
Code 41008	Code 41012	

Overhead PVC pressure pipe installations should be mounted on supports. Distances between them should be as indicated in the chart. Distances are shown in metres (according to UNE 53.399).

The distances shown correspond to maximum temperatures of 20°C. For higher temperatures multiply the values indicated by the following reducing coefficients:

- Between 20° and 35°C coefficient 0.9
- Between 35° and 45°C coefficient 0.85

In vertical installations, the distance between supports can be as per chart multiplied by 1.3.

SUPPORTS FOR VALVE MANIFOLD

Valve manifold brackets

Easy assembly valve manifold brackets from Ø 63 mm to Ø 225 mm for all filter types. Totally adjustable in height, consisting of vertical support pipes in zinc-plated steel, together with box of accessories.



	Code	Standard Packaging	Standard Weight Kg	Standard Volume m ³
Zinc-plated steel				
Height 1.85 m	28690	1	3.8	-
Height 2.30 m	28691	1	4.5	-
Height 3.0 m	28692	1	5.9	-
Box of accessories consisting of:				
2 support brackets with anti-vibration clamps and fixing bolts				
For Ø 63 mm pipe	42598	1	1.5	0.011
For Ø 75 mm pipe	28693	1	1.5	0.011
For Ø 90 mm pipe	28694	1	1.5	0.011
For Ø 110 mm pipe	28695	1	1.5	0.011
For Ø 125 mm pipe	28696	1	1.5	0.011
For Ø 140 mm pipe	28697	1	1.5	0.011
For Ø 160 mm pipe	28698	1	2.5	0.011
For Ø 200 mm pipe	28699	1	2.5	0.011
For Ø 225 mm pipe	28700	1	2.5	0.011
Accessory box for additional supports:				
Fixing plug and protection cap	28701	1	-	-


Wall brackets for valve manifold

For all filter type from Ø 63 mm pipe onwards. Consisting in zinc-plated steel support bracket with anti-vibration clamp and fixing screws. Supply: 1 vertical support with manifold bracket.



	Code	Standard Packaging	Standard Weight Kg	Standard Volume m ³
For Ø 63 mm pipe	35585	1	1.0	0.007
For Ø 75 mm pipe	00855	1	1.2	0.007
For Ø 90 mm pipe	00856	1	1.3	0.007
For Ø 110 mm pipe	00857	1	1.4	0.007
For Ø 125 mm pipe	00858	1	1.4	0.007
For Ø 140 mm pipe	00859	1	1.5	0.007
For Ø 160 mm pipe	00860	1	1.6	0.007
For Ø 200 mm pipe	00861	1	1.7	0.007
For Ø 225 mm pipe	00862	1	1.7	0.007
For Ø 250 mm pipe	36120	1	2.0	0.011
For Ø 315 mm pipe	36602	1	2.4	0.011

COMPACT FILTRATION HOUSINGS

In-ground models



Can be stored inside one another for easy transport and storage. Rationalization of the inner space, obtaining maximum utilization performance within the minimum available space. Lightweight lid with reinforced hinges. Prefabricated in polyester, fibreglass and gel-coat finish. Lid in green, with ivory interior.

Supplied undrilled:
For Ø 500 mm filters
For Ø 650 mm filters

Code	Standard Packaging	Standard Weight Kg	Standard Volume m ³
15260	6	200.0	4.0
15261	6	244.0	4.5

Supplied with drilled connection outlets:
For Ø 350 mm filters
For Ø 400-450-500-600 mm filters
For Ø 650 mm filters
For Ø 650-750-800 mm filters

00615	5	175.0	3.0
00616	3	130.0	4.0
00617	2	175.0	3.4
00618	1	126.0	3.6



Semi-in-ground models

Prefabricated in polyester and fibreglass. Ivory colour. Totally openable cover.



With fully opening lid:
For Ø 450-500-600 mm filters
For Ø 600-450-650-750 mm filters

Code	Standard Packaging	Standard Weight Kg	Standard Volume m ³
00619	2	80.0	2.7
00620	2	145.0	4.7

With partially opening lid:
For Ø 600 mm filters

00621	2	50.0	2.11
-------	---	------	------



IN-GROUND



	15260	15261
A	1100	1200
B	1310	1420
C	740	840
D	90	90

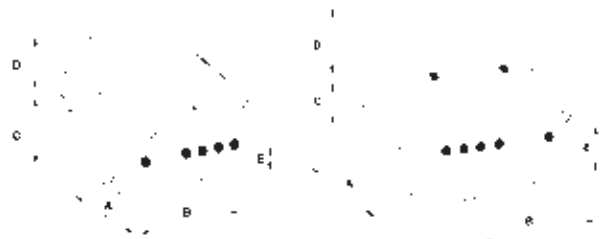
Dimensions in mm



	00615	00616	00617	00618
A	900	1000	1200	1500
B	650	1000	1000	1200
C	730	900	925	1220
D	70	70	70	70
E	620	725	740	1035

Dimensions in mm

SEMI IN-GROUND



	00619	00620
A	1040	1350
B	870	1200
C	525	675
D	500	470
E	270	500

Dimensions in mm

	00621
A	1230
B	1230
C	540
D	535
E	430

Dimensions in mm

COMPACT FILTRATION HOUSINGS

Above ground housing



For outdoor installation. Lid with reinforced edging. Length 160 cm; Width 90 cm; Height 119 cm.

Code	Standard Packaging	Standard Weight Kg	Standard Volume m ³
25881	1	25	0.400

AIR VENTS



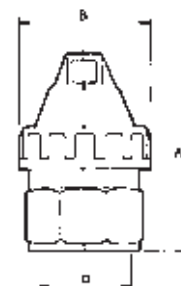
Air vents



In cast Aluminium painted yellow. Inner ball in PVC.

	Code	Standard Packaging	Standard Weight Kg	Standard Volume m ³
Ø 1"	04143	12	2.3	0.009
Ø 1½"	04144	12	4.0	0.009
Ø 2"	04145	12	4.5	0.018

Code	D	A (mm)	B (mm)
04143	1"	74	44
04144	1½"	105	69
04145	2"	105	69



Double effect air vent



Body in PP and fibreglass. Maximum pressure 16 Kg/cm². Seal in nitrile rubber.

	Code	Standard Packaging	Standard Weight Kg	Standard Volume m ³
Ø 1"	49381	1	0.3	0.001



Double effect air vent



Body in PP and fibreglass. U-bend outlet with PVC elbow. Maximum pressure 16 Kg/cm². Seal in nitrile rubber.

	Code	Standard Packaging	Standard Weight Kg	Standard Volume m ³
Ø 2"	49382	1	0.7	0.001

FILTRATION MEDIA & ACCESSORIES



Granulometry 0.5 - 1.0 mm



Granulometry 1.0 - 3.0 mm



Granulometry 3.0 - 7.0 mm



Glass filter media



Filter media environmentally friendly made from glass recycled. 25 Kg bag.

	Code	Standard Packaging	Standard Weight Kg	Standard Volume m ³
Granulometry: 0.5 mm - 1.0 mm	45307	1	25.0	0,667
1.0 mm - 3.0 mm	45308	1	25.0	0,667
3.0 mm - 7.0 mm	45309	1	25.0	0,667



Filtration sand

Please ask for a quotation for other grades. 25 Kg bag.

	Code	Standard Packaging	Standard Weight Kg	Standard Volume m ³
Granulometry 0.4 - 0.8 mm	00596	1	25	0.667



Gravel

Please ask for a quotation for other grades. 25 Kg bag.

	Code	Standard Packaging	Standard Weight Kg	Standard Volume m ³
Granulometry 1 - 2 mm	11347	1	25	0.667
Granulometry 3 - 5 mm	11346	1	25	0.667



Anthracite

Please ask for a quotation for other grades. Bags 25 Kg.

	Code	Standard Packaging	Standard Weight Kg	Standard Volume m ³
Granulometry 0.8 - 1.6 mm	03696	1	50	0.8



Active carbon

Product with high capacity of pullant retention. Coconut shell based activated carbon. Surface area: 1000 m²/g.

	Code	Standard Packaging	Standard Weight Kg	Standard Volume m ³
Apparent density: 0.45 - 0.50 g/cm ³	24366	1	??	??



Zeolite

Natural porous material that has higher filtration qualities than the normal substrate. It can be compared to that of diatomaceous earth but at a lower price and lasting much longer. Bags 25 Kg.

	Code	Standard Packaging	Standard Weight Kg	Standard Volume m ³
Zeolite standard 0.5 - 1 mm	25845	1	-	-
Zeolite standard 1-2 mm	25846	1	30	0.023
Zeolite standard 2-5 mm	25847	1	30	0.023



PRESSURE GAUGE PANELS AND AIR BLOWERS



Pressure gauge panels



Including air vents.

With pressure gauges 3 kg/cm²
With pressure gauges 6 kg/cm²

Code	Standard Packaging	Standard Weight Kg	Standard Volume m ³
00729	1	1	0.007
00730	1	1	0.007



Continuous operation lateral turbo blower pump



Air pump designed for spas, baths, hydromassage installations and similar which produces a constant stream of air bubbles at medium and high air volume levels. It can also be used to stir up the filter bed, for example in back wash cycles where a low intensity air current is required. The filter casing and impeller are made from an injected aluminium alloy whilst the motor spindle is manufactured from stainless steel, with the impeller dynamically balanced and directly adapted to the spindle. The motors, single phase or 3 phase for continuous use, are made from steel in compliance with CEI 2/3 1988 regulations, and feature IP54 external protection and class-F insulation. The standard voltages are 100-120/200-240V for the monophase range and 200-240/380-440V for the triphase models, at 50/60Hz. The pumps can be mounted horizontally or vertically. Moreover, since there is no contact between the mobile parts and the pump static discharges, neither lubrication nor maintenance is necessary and is also doesn't cause wear on the parts. The turbines have a maximum working temperature of 40°C. Do not use in conjunction with aggressive, inflammable or explosive gases. Please consult for technical variations.

Model	Code	Frequency (Hz)	Electrical supply (V)	Phase	Flow (m ³ /h)	Max. Pressure (mbar)	Standard Weight kg	Standard Volume m ³
Blower 0.4 kW	33970	50	Δ 200-240 Y 345-415	3	80	130	10	0.045
Blower 0.5 kW		60	Δ 220-275 Y 380-480	3	98	170		
Blower 0.85 kW	35387	50	200-240	1	145	160	17	0.045
Blower 0.95 kW		60	200-240	1	175	160		
Blower 0.85 kW	35388	50	Δ 200-240 Y 345-415	3	145	160	16	0.059
Blower 0.95 kW		60	Δ 220-275 Y 380-480	3	175	160		
Blower 1.3 kW	31090	50	200-240	1	210	170	23	0.059
Blower 1.5 kW		60	200-240	1	255	140		
Blower 1.3 kW	31091	50	Δ 200-240 Y 345-415	3	210	170	22	0.059
Blower 1.5 kW		60	Δ 220-275 Y 380-480	3	255	140		
Blower 1.5 kW	33971	50	200-240	1	210	220	24	0.064
Blower 1.75 kW		60	200-240	1	255	220		
Blower 1.6 kW	31092	50	Δ 200-240 Y 345-415	3	210	220	23	0.064
Blower 2.1 kW		60	Δ 220-275 Y 380-480	3	255	220		
Blower 1.6 kW 2V	35389	50	Δ 200-240 Y 345-415	3	150	300	25	0.087
Blower 2.06 kW 2V		60	Δ 220-275 Y 380-480	3	180	310		
Blower 2.2 kW	31093	50	Δ 200-240 Y 345-415	3	318	230	30	0.097
Blower 2.55 kW		60	Δ 220-275 Y 380-480	3	376	220		
Blower 3.0 kW 2V	31094	50	Δ 200-240 Y 345-415	3	230	410	40	0.126
Blower 3.45 kW 2V		60	Δ 220-275 Y 380-480	3	275	400		
Blower 3.0 kW	31095	50	Δ 200-240 Y 345-415	3	318	280	36	0.097
Blower 3.45 kW		60	Δ 220-275 Y 380-480	3	376	280		
Blower 4.3 kW 2V	31096	50	Δ 345-415 Y 600-720	3	520	600	54	0.217
Blower 4.8 kW 2V		60	Δ 380-480 Y 660-720	3	385	320		
Blower 5.5 kW	31097	50	Δ 345-415 Y 600-720	3	530	320	63	0.16
Blower 6.3 kW		60	Δ 380-480 Y 660-720	3	620	340		
Blower 5.5 kW 2V	33972	50	Δ 345-415 Y 600-720	3	320	515	66	0.201
Blower 6.3 kW 2V		60	Δ 380-480 Y 660-720	3	385	530		
Blower 7.5 kW	31098	50	Δ 345-415 Y 600-720	3	530	400	66	0.16
Blower 8.6 kW		60	Δ 380-480 Y 660-720	3	620	400		
Blower 11 kW 2V	33973	50	Δ 345-415 Y 600-720	3	520	600	104	0.353
Blower 12.6 kW 2V		60	Δ 380-480 Y 660-720	3	620	600		
Blower 12.5 kW	33974	50	Δ 345-415 Y 600-720	3	1050	270	116	0.353
Blower 14.5 kW		60	Δ 380-480 Y 660-720	3	1250	260		



PUMPS



- 194 • AstralPool Signature Self-priming pumps
- 195 • Self-priming pumps
- 201 • Centrifugal pumps
- 211 • Special Centrifugal pumps for sea water
- 214 • Strainers
- 218 • Valves and flanges
- 219 • Control boxes
- 222 • Submersible pumps



ASTRALPOOL SIGNATURE SELF-PRIMING PUMPS

Columbia pump



High performance pump for residential pools offering silent operation and reliability at low temperatures. Available from 3/4HP to 3 HP, with single-phase and three-phase motors. Simple assembly with high quality mechanical seal and bearings. Easy-open strainer lid. Connections with standardised fittings. Possibility of removing the motor without touching the pump's hydraulic system. Flow rates in l/h at 10 m head for all the models. ATB motor.

Models:

Columbia Single-phase pump

	Code	Standard Packaging	Standard Weight Kg	Standard Volume m ³
12000 l/h 0.6 kW (3/4 HP) 230 V II	32770	1	18.5	0.100
17500 l/h 0.78 kW (1 HP) 230 V II	32772	1	19.2	0.100
24000 l/h 1.1 kW (1.5 HP) 230 V II	32774	1	23.4	0.100
27000 l/h 1.5 kW (2 HP) 230 V II	32776	1	23.6	0.100
40000 l/h 2.2 kW (3 HP) 230 V II	32778	1	28.6	0.100

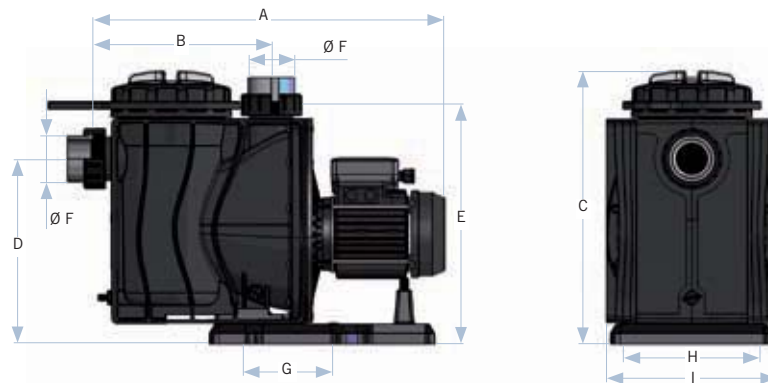
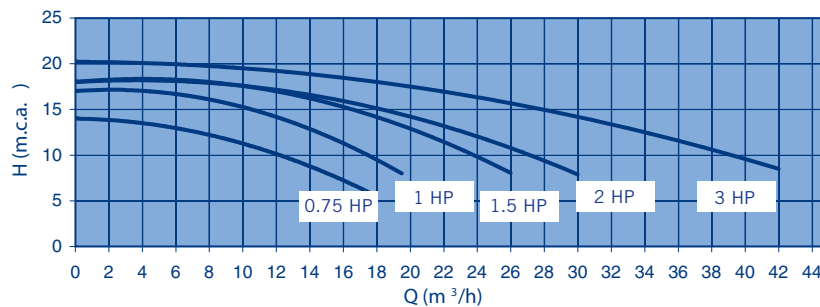
Columbia Three-phase pump,

12000 l/h 0.6 kW (3/4 HP) 230/400 V III	32771	1	18.8	0.100
17500 l/h 0.77 kW (1 HP) 230/400 V III	32773	1	19.4	0.100
24000 l/h 1.1 kW (1.5 HP) 230/400 V III	32775	1	21.7	0.100
27000 l/h 1.5 kW (2 HP) 230/400 V III	32777	1	21.8	0.100
40000 l/h 2.2 kW (3 HP) 230/400 V III	32779	1	24.0	0.100



Maximum sound level (dBA):

- 3/4 HP = 66 dBA
- 1 HP = 66 dBA
- 1.5 HP = 70 dBA
- 2 HP = 70 dBA
- 3 HP = 75 dBA



CODE	A	B	C	D	E	Ø F	G	H	I
32770	570	284.50	435	295	383.50	50	146.50	216	272
32771	570	284.50	435	295	383.50	50	146.50	216	272
32772	610	284.50	435	295	383.50	50	146.50	216	272
32773	610	284.50	435	295	383.50	50	146.50	216	272
32774	610	284.50	435	295	383.50	63	146.50	216	272
32775	610	284.50	435	295	383.50	63	146.50	216	272
32776	610	284.50	435	295	383.50	63	146.50	216	272
32777	610	284.50	435	295	383.50	63	146.50	216	272
32778	651	284.50	435	295	383.50	75	146.50	216	272
32779	626	284.50	435	295	383.50	75	146.50	216	272

SELF-PRIMING PUMPS

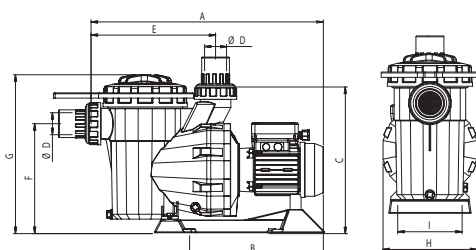
Victoria Dual Speed pump



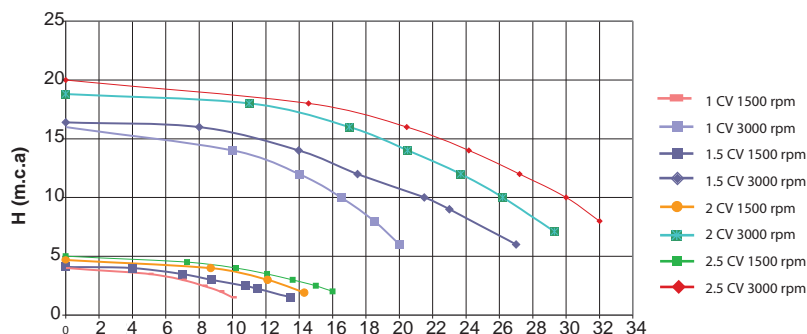
Two-speed pump. New ideas for energy saving and noise reduction meeting new legislation to improve energy efficiency in appliances. Ultra-Filtered: Allows filtering of water overnight, taking advantage of cheaper electricity rates. Allows external use of programmable timers for programming of filter cycles. Power Range (high speed): 1 HP - 1.5 HP - 2 HP to 2.5 HP. High speeds for washing, rinsing, treatment shock or heavy use. Low-speed for filtration. Completely interchangeable with the Victoria Plus pumps, Sprint and Victoria.

	Code	Standard Packaging	Standard Weight Kg	Standard Volume m ³
1 HP II	45861	1	15	0.071
1.5 HP II	45657	1	17	0.071
2 HP II	45658	1	18	0.071
2.5 HP II	45708	1	19.5	0.071

For easy programming and optimal protection of the pump it is recommended to use the maneuver lockers double pump speed (code 45862, 45863) or timer (code 45864).



Code	45861	45657 - 45658	45708
A	562	592	674
B	335	366	414
C	323	323	323
D	50	63	75
E	281	281	281
F	243	243	243
G	365	365	365
H	210	210	210
I	144.5	144.5	144.5



Control box



The control box makes it easy to program filter cycles that suit the needs of users 24 hours a day. The ultra-silent mechanism also means that users can take advantage of cheaper night time electricity rates to perform the filtering process.

	Code	Standard Packaging	Standard Weight Kg	Standard Volume m ³
For pumps of 1, 1.5 and 2 HP	45862	1	2.2	0.014
For pumps of 2.5 HP	45863	1	2.2	0.014

Digital timer



Easy-to-use and intuitive timer that can be quickly programmed at a glance. All of the filter cycles can be set for any time of the day, with the possibility of using different programmes according to various factors, such as the day of the week, the season, etc.

	Code	Standard Packaging	Standard Weight Kg	Standard Volume m ³
	45864	1	0.15	0.0007

SELF-PRIMING PUMPS

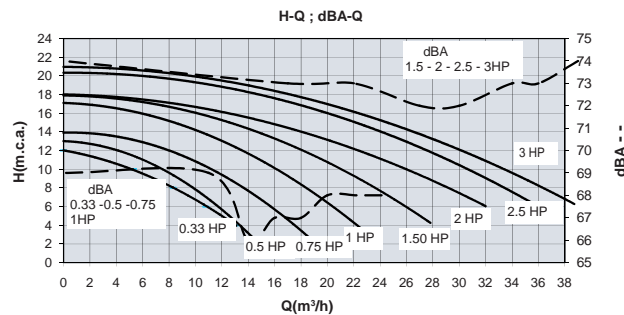


Victoria Plus pump

Robust design with new generation easy to handle lid-locking nut. Low noise levels due to rubber paddings. IP-55 Motor protection. Large capacity strainer basket. Flow rates given at 8 m head for 1/3 HP and 1/2 HP, and 10 head from 3/4 HP onwards. 3,000 rpm.

	Code	Standard Packaging	Standard Weight Kg	Standard Volume m ³
8,000 l/h 0.37 kW (1/3 HP) 230 V II	41224	1	13.0	0.071
10,000 l/h 0.43 kW (1/2 HP) 230 V II	38769	1	13.0	0.071
10,000 l/h 0.43 kW (1/2 HP) 230/400 V III	38770	1	13.0	0.071
11,000 l/h 0.61 kW (3/4 HP) 230 V II	38771	1	14.0	0.071
11,000 l/h 0.60 kW (3/4 HP) 230/400 V III	38772	1	14.0	0.071
16,000 l/h 0.78 kW (1 HP) 230 V II	38773	1	15.0	0.071
16,000 l/h 0.76 kW (1 HP) 230/400 V III	38774	1	15.0	0.071
21,500 l/h 1.10 kW (1.5 HP) 230 V II	38775	1	17.0	0.071
21,500 l/h 1.10 kW (1.5 HP) 230/400 V III	38776	1	17.0	0.071
26,000 l/h 1.50 kW (2 HP) 230 V II	38777	1	18.0	0.071
26,000 l/h 1.46 kW (2 HP) 230/400 V III	38778	1	18.0	0.071
30,500 l/h 1.85 kW (2.5 HP) 230 V II	53675 New	1	19.0	0.071
34,000 l/h 2.20 kW (3 HP) 230 V II	38779	1	19.0	0.071
34,000 l/h 2.20 kW (3 HP) 230/400 V III	38780	1	19.0	0.071

Performance curves

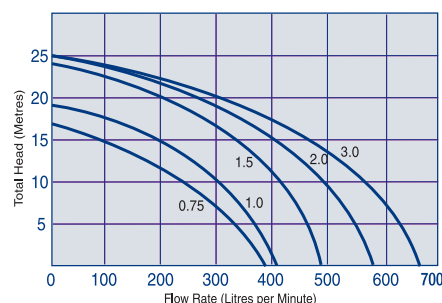


TX High Performance pump

High Performance and high pressure whisper quiet pump. Suitable for in-floor cleaning systems, spa jets and demanding applications. 30% glass filled noryl for high strength, ramp on lid, 63 mm barrel union connections, true carbon seal. Non return valve included. Flow rates given at 8 m head.

	Code	Standard Packaging	Standard Weight Kg	Standard Volume m ³
TX ¾ - 15,900 l/h 0.55 kW (3/4 HP) 220/240 V II	41337	1	19.0	0.072
TX 1.0 - 18,600 l/h 0.74 kW (1 HP) 220/240 V II	41338	1	21.0	0.072
TX 1.5 - 24,600 l/h 1.1 kW (1.5 HP) 220/240 V II	41339	1	21.0	0.072
TX 2.0 - 30,180 l/h 1.47 kW (2 HP) 220/240 V II	41340	1	25.0	0.072
TX 3.0 - 36,600 l/h 2.20 kW (3HP) 220/240 V II	41341	1	-	0.072
TX ¾ - 15,900 l/h 0.55 kW (3/4 HP) 230/415 V III	41342	1	-	0.072
TX 1.0 - 18,600 l/h 0.74 kW (1 HP) 230/415 V III	41343	1	-	0.072
TX 1.5 - 24,600 l/h 1.1 kW (1.5 HP) 230/415 V III	41344	1	19.30	0.072
TX 2.0 - 30,180 l/h 1.47 kW (2 HP) 230/415 V III	41345	1	-	0.072

Performance curves



SELF-PRIMING PUMPS



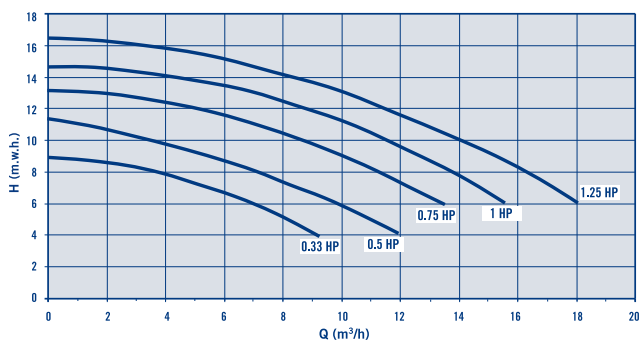
Sena pump

New generation pump range. Motors from 1/3 HP to 1.25 HP in single-phase and from 3/4 HP to 1.25 HP in three-phase motors. GS marking. IP-55 Motor protection, Class F insulation. All parts in contact with water made of S.S. AISI-316. Ø 50 mm solvent weld fittings for connection. Flow rates given at 6 m head for 1/3 HP, 8 m head for 1/2 HP, and 10 m head for the rest of the range. 3,000 rpm.



	Code	Standard Packaging	Standard Weight Kg	Standard Volume m ³
7,000 l/h. 1/3 HP. 230 V II	25461	1	10.20	0.055
8,500 l/h. 1/2 HP. 230 V II	25462	1	10.20	0.055
9,000 l/h. 3/4 HP. 230 V II	25463	1	11.65	0.055
9,000 l/h. 3/4 HP. 230/400 V III	25464	1	11.40	0.055
11,800 l/h. 1 HP. 230 V II	25465	1	12.75	0.055
11,800 l/h. 1 HP. 230/400 V III	25466	1	13.00	0.055
14,000 l/h. 1.25 HP. 230 V II	25467	1	13.75	0.055
14,000 l/h. 1.25 HP. 230/400 V III	25468	1	13.55	0.055

Performance curves



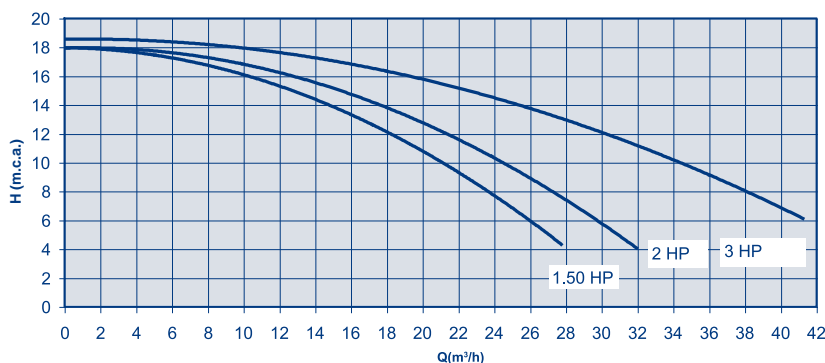
Trent pump

High performance self-priming pump designed for residential pools. Significant reduction in noise level due to the body which is made of plastic and has rubber pad supports. It is available in sizes from 1.5 HP to 3 HP single and three phase motors. Transparent lid with embedded nuts for easy opening and handling that allows a quick check of the prefilter.

	Code	Standard Packaging	Standard Weight Kg	Standard Volume m ³
1.5 HP, 230 V II	45855	1	18.8	0.100
1.5 HP, 230/400 V III	45856	1	18.8	0.100
2 HP, 230 V II	45857	1	19.9	0.100
2 HP, 230/400 V III	45858	1	17.9	0.100
3 HP, 230 V II	45859	1	24.6	0.100
3 HP, 230/400 V III	45860	1	19.6	0.100

Maximum sound level (dBA):

- 1.5 HP II - III = 66 dBA
- 2 HP II - III = 70 dBA
- 3 HP III = 70 dBA
- 3 HP II = 72 dBA



SELF-PRIMING PUMPS

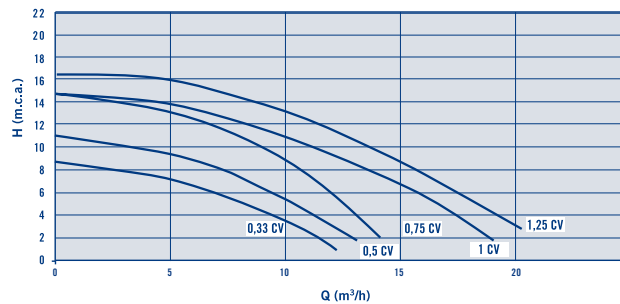


Alaska pump

The body of the pump is made of state-of-the-art thermoplastics. The single-phase, self-priming pumps come in a range of 0.33 HP to 1.25 HP. A pre-filter is mounted in body of the pump to prevent foreign objects from entering it that may damage its hydraulic parts. The motors that are supplied with the pump have IP-55 protection and are designed to withstand hot climates and high levels of humidity.

	Code	Standard Packaging	Standard Weight Kg	Standard Volume m ³
Alaska 1/3 HP II 230 V	41607	1	-	-
Alaska 1/2 HP II 230 V	41608	1	-	-
Alaska 3/4 HP II 230 V	41609	1	-	-
Alaska 1 HP II 230 V	41610	1	-	-
Alaska 1.25 HP II 230 V	41611	1	-	-

Performance curves



Alaska Plus pump

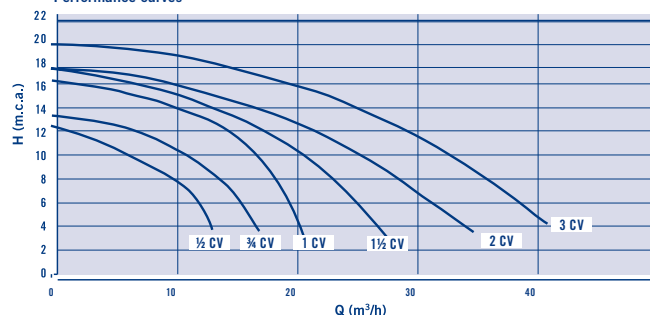
New

The Alaska Plus pump new hydraulic design moves water more efficiently and more quietly than any other pump of its category. Alaska Plus is built to be quiet, durable and reliable. Motor materials are rustproof, stainless steel motor shaft and sealed bearings that never need lubrication. Its thermoplastic housing withstands extreme heat and resist corrosion.

- Available from 0.5 Hp up to 3 Hp in both single phase and three phase motors.
- It saves money, as it moves the same required water but with less consumption than our previous pump.
- The new hydraulic design assures extremely low noise level performance while works at typical conditions.
- A pre-filter with a big strainer has been integrated into the body of the pump to prevent the entry of any foreign bodies which could cause damage to the hydraulic parts of the pump.
- Big strainer basket extends time between cleanings.
- See through lid makes inspection fast and easy.

	Code	Standard Packaging	Standard Weight Kg	Standard Volume m ³
Monophase				
Alaska Plus 1/2 CV 230 V	51858	1	-	-
Alaska Plus 3/4 CV 230 V	51860	1	-	-
Alaska Plus 1 CV 230 V	51862	1	-	-
Alaska Plus 1.5 CV 230 V	51864	1	-	-
Alaska Plus 2 CV 230 V	51866	1	-	-
Alaska Plus 3 CV 230 V	51868	1	-	-
Threephase				
Alaska Plus 1 CV 230 V	51863	1	-	-
Alaska Plus 1.5 CV 230 V	51865	1	-	-
Alaska Plus 2 CV 230 V	51867	1	-	-
Alaska Plus 3 CV 230 V	51869	1	-	-

Performance curves



Other options like 316SS shaft for salted water, 230V and 60Hz motors and Thai/Australian/British connections are available. For further information please contact us.

SELF-PRIMING PUMPS

High-performance Viron BLDC Pump

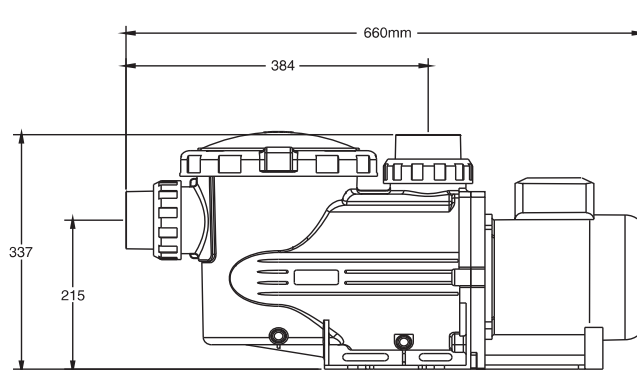
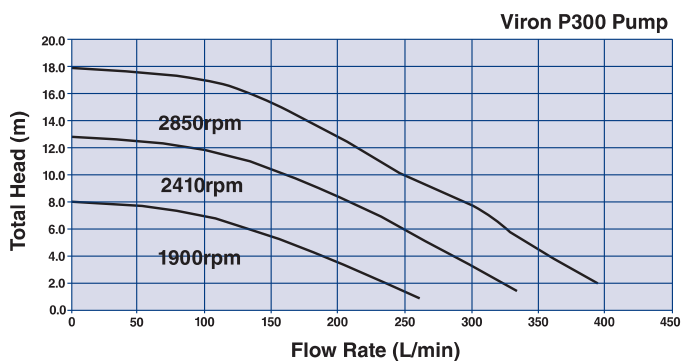


Variable speed BLDC pump and motor. Designed to offer optimum efficiency and to make significant savings in maintenance costs. Easy-to-select motor speed that enables users to control the flow rate needed for the pump's various functions: filtering, backwashing, draining and operating the hydromassage jet. Totally silent.

Available designs:

A single design with a flow rate of 280 lt per minute at 8 M.C.A. Three-year guarantee for manufacturing defects only on the motor and the components that are in contact with the water.

Code	Standard Packaging	Standard Weight Kg	Standard Volume m ³
43431	1	15	0.112



SELF-PRIMING PUMPS



Aral SP-3000 pump



Made in cast iron. Stainless steel mechanical seal. IP-54 motor protection. Stainless steel AISI-316 shaft. 3.000 rpm.

Also available with bronze impeller

Power 1.5 kW (2 HP)

Connect. DN 50-2" for glueing to Ø 63 mm pipe

m.w.h.	6	8	10	12	14	15.2
m ³ /h	28	26	23.5	19	13	0

Voltage 230/400 V III

01187 1 38 0.050

Power 2.20 kW (3 HP)

Connection DN 66-21/2" for glueing to Ø 75 mm pipe

m.w.h.	8	10	12	14	16	18
m ³ /h	48	43	39	30	18	0

Voltage 230/400 V III

01188 1 50 0.137

Power 3 kW (4 HP)

Connection DN 80-3" for glueing to Ø 90 mm pipe

m.w.h.	8	10	12	14	16	18
m ³ /h	56	50	45	40	33	0

Voltage 230/400 V III

01189 1 53 0.137

Voltage 400/690 V III

01190 1 53 0.137

Power 4 kW (5,5 HP)

Connection DN 80-3" for glueing to Ø 90 mm pipe

m.w.h.	8	10	12	14	16	19
m ³ /h	65	60	55	48	41	0

Voltage 230/400 V III

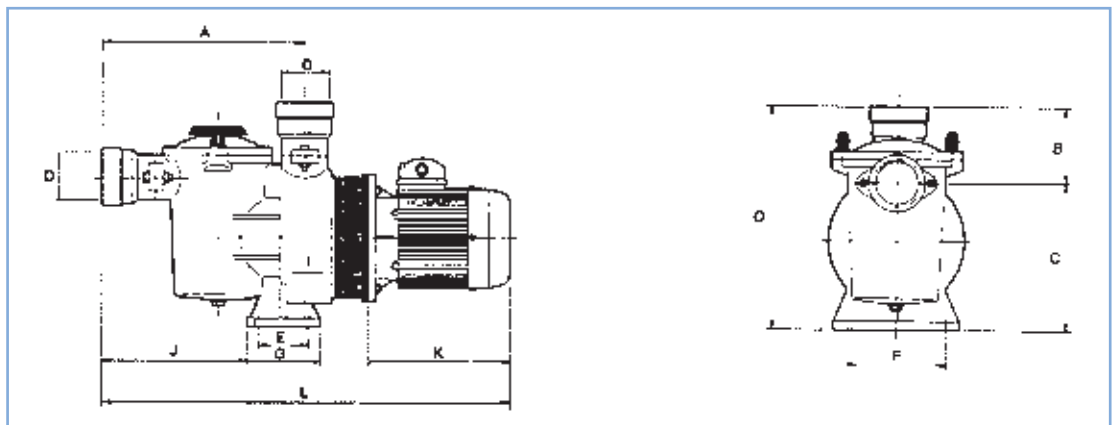
01191 1 56 0.137

Voltage 400/690 V III

01192 1 56 0.137



230 V valid for voltages between 220 & 240 V
400 V valid for voltages between 380 & 420 V
690 V valid for voltages between 660 & 720 V



Technical features

Code	VOLTAGE V	CURRENT IN AMP. (A)			POWER P2		CONNECTIONS		Dimensions (mm)										
		II 220 V	III 230 V	III 400 V	KW	HP	D	DN	A	B	C	E	F	G	I	J	K	L	O
01187	230/400	-	5.5	3.2	1.5	2	2"	50	330	132	222	68	114	120	13	239	286	723	354
01188	230/400	-	9.6	5.5	2.2	3	2 1/2"	65	360	101	283	90	139	140	13	263	286	743	461
01189	230/400	-	12	7	3	4	3"	80	382	123	283	90	139	140	13	285	306	785	505
01190	400/690	-	-	7	3	4	3"	80	382	123	283	90	139	140	13	285	306	785	505
01191	230/400	-	16	9.1	4	5,5	3"	80	382	123	283	90	139	140	13	285	306	785	505
01192	400/690	-	-	9.1	4	5,5	3"	80	382	123	283	90	139	140	13	285	306	785	505

CENTRIFUGAL PUMPS

Colorado pump with prefilter

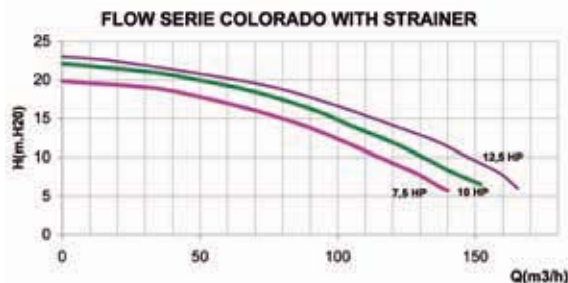


Plastic Centrifugal 3000 r.p.m. pumps with prefilter for swimming pools. Ideal for large volumes at low pressure. Prefilter with a transparent lid for easy accessibility. The pump and the prefilter is made of polypropylene reinforced with fibreglass. Bronze impeller, the shaft and prefilter basket in stainless steel. Motor protection IP-55 of 3000 r.p.m. at 230/400 V or 400/690 V and 50 Hz from 7.5 HP to 12.5 HP.

- 7.5 HP, 230/400 V
- 7.5 HP, 400/690 V
- 10 HP, 230/400 V
- 10 HP, 400/690 V
- 12.5 HP, 230/400 V
- 12.5 HP, 400/690 V

Code	Standard Packaging	Standard Weight Kg	Standard Volume m ³
44708	1	57	-
44709	1	57	-
44710	1	68	-
44711	1	68	-
44712	1	72	-
44713	1	72	-

CODE	VOLTS (V)	POWER		DIMENSIONS (mm)								
		kW	HP	A	B	ØC	D	E	F	G	H	L
44708	230/400	5.5	7.5	375	255	110	405	470	330	200	535	840
44709	400/690		7.5	375	255	110	405	470	330	200	535	840
44710	230/400	7.4	10	375	255	110	405	470	330	200	535	910
44711	400/690		10	375	255	110	405	470	330	200	535	910
44712	230/400	9.2	12.5	375	255	110	405	470	330	200	535	955
44713	400/690		12.5	375	255	110	405	470	330	200	535	955



Colorado pump without prefilter

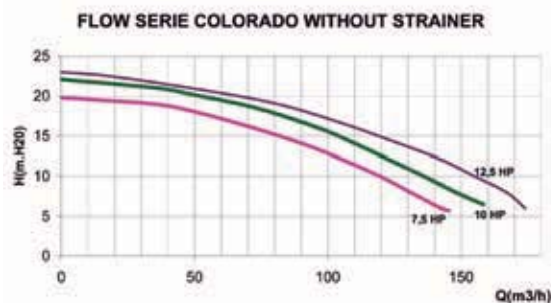


Plastic Centrifugal 3000 r.p.m. pumps without prefilter for swimming pools. Ideal for large volumes at low pressure. The pump and the prefilter is made of polypropylene reinforced with fibreglass. Bronze impeller, the shaft and prefilter basket in stainless steel. Motor protection IP-55 of 3000 r.p.m. at 230/400 V or 400/690 V and 50 Hz from 7.5 HP to 12.5 HP.

- 7.5 HP, 230/400 V
- 7.5 HP, 400/690 V
- 10 HP, 230/400 V
- 10 HP, 400/690 V
- 12.5 HP, 230/400 V
- 12.5 HP, 400/690 V

Code	Standard Packaging	Standard Weight Kg	Standard Volume m ³
44716	1	50	-
44717	1	50	-
44718	1	61	-
44719	1	61	-
44720	1	65	-
44721	1	65	-

CODE	VOLTS (V)	POWER		DIMENSIONS (mm)								
		kW	HP	A	B	ØC	D	F	G	H	L	
44716	230/400	5.5	7.5	255	255	110	105	330	200	470	530	
44717	400/690		7.5	255	255	110	105	330	200	470	530	
44718	230/400	7.4	10	255	255	110	105	330	200	470	600	
44719	400/690		10	255	255	110	105	330	200	470	600	
44720	230/400	9.2	12.5	255	255	110	105	330	200	470	645	
44721	400/690		12.5	255	255	110	105	330	200	470	645	



CENTRIFUGAL PUMPS



Baikal SP-3000 pump



Made in bronze. Stainless steel mechanical seal. IP-54 motor protection. Stainless steel AISI-316 shaft. 3.000 rpm.

Code	Standard Packaging	Standard Weight Kg	Standard Volume m ³
------	--------------------	--------------------	--------------------------------

Power 1.5 kW (2 HP)

Connection DN 50 - 2", for Ø 63 mm pipe

m.w.h.	6	8	10	12	14	15.2
m ³ /h	28	26	23.5	19	13	0

Voltage 230/400 V III **01236** 1 38 0.050

Power 2.20 kW (3 HP)

Connection DN 65 - 2½", for Ø 75 mm pipe

m.w.h.	8	10	12	14	16	18
m ³ /h	48	43	39	30	18	0

Voltage 230/400 V III **01237** 1 50 0.137

Power 3 kW (4 HP)

Connection DN 80 - 3", for Ø 90 mm pipe

m.w.h.	8	10	12	14	16	18
m ³ /h	56	50	45	40	33	0

Voltage 230/400 V III **01238** 1 59 0.137
Voltage 400/690 V III **01239** 1 59 0.137

Power 4 kW (5.5 HP)

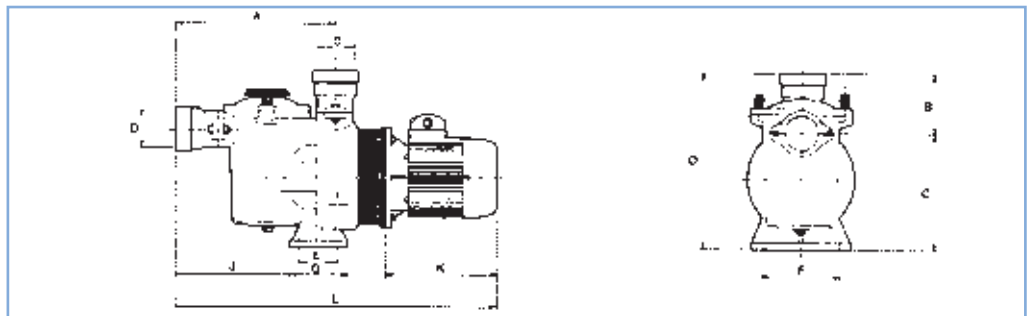
Connection DN 80 - 3", for Ø 90 mm pipe

m.w.h.	8	10	12	14	16	19
m ³ /h	65	60	55	48	41	0

Voltage 230/400 V III **01240** 1 62 0.137
Voltage 400/690 V III **01241** 1 62 0.137



230 V valid for voltages between 220 & 240 V
400 V valid for voltages between 380 & 420 V
690 V valid for voltages between 660 & 720 V



Technical features

Code	VOLTAGE V	Current in Amps			Power		Connect.		Dimensions (mm)										
		II 220 V	III 230 V	III 400 V	kW	HP	D	DN	A	B	C	E	F	G	I	J	K	L	O
01236	230/400	-	5.5	3,2	1.5	2	2"	50	330	132	222	68	114	120	13	239	286	723	354
01237	230/400	-	9.6	5.5	2.20	3	2½"	65	360	101	283	90	139	140	13	263	286	743	461
01238	230/400	-	12	7	3	4	3"	80	382	123	283	90	139	140	13	285	306	785	505
01239	400/690	-	-	7	3	4	3"	80	382	123	283	90	139	140	13	285	306	785	505
01240	230/400	-	16	9.1	4	5.5	3"	80	382	123	283	90	139	140	13	285	306	785	505
01241	400/690	-	-	9.1	4	5.5	3"	80	382	123	283	90	139	140	13	285	306	785	505

CENTRIFUGAL PUMPS



Maxim pump 2.860 rpm



Pump body and support in heat resistant plastic, S.S. motor shaft of AISI-316 with double insulation and with IP-55 motor protection. 8 litre capacity strainer, with transparent lid.

3" thread union connections

Code	Standard Packaging	Standard Weight Kg	Standard Volume m ³
------	--------------------	--------------------	--------------------------------

(3.5 HP) 230/400 V III

m.w.h.	8	10	12	14	16	19.5
m ³ /h	56	50	42	34	23	0

08003 1 32 0.184

(4.5 HP) 230/400 V III

m.w.h.	8	10	12	14	16	19.5
m ³ /h	74	66	57	46	30	0

08004 1 34 0.184

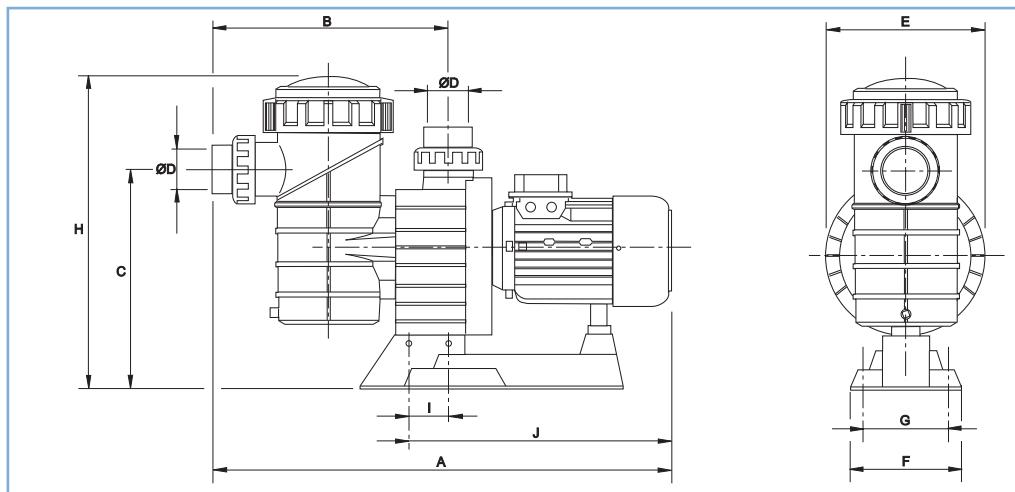
(5.5 HP) 230/400 V III

m.w.h.	8	10	12	14	16	19.5
m ³ /h	88	78	67	53	34	0

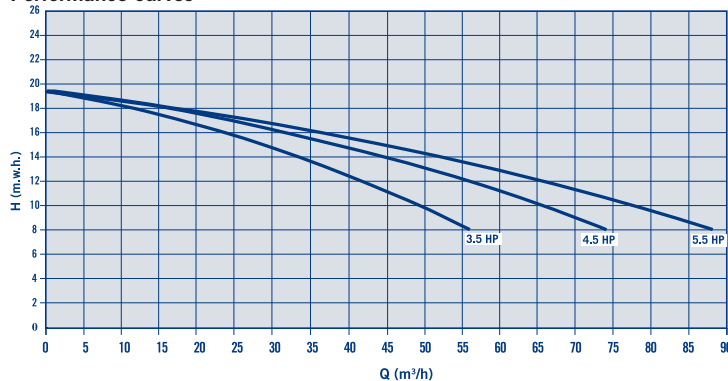
08005 1 37 0.184



Dimensions



Performance curves



Technical features

Model	Type	Volts	A mm	B mm	C mm	Ø D mm	E mm	F mm	G mm	H mm	I mm	J mm
08003	3.5	230/400	815	430	385	90	287	200	140	530	65	468
08004	4.5	230/400	815	430	385	90	287	200	140	530	65	468
08005	5.5	230/400	847	430	385	90	287	200	140	530	65	500

CENTRIFUGAL PUMPS

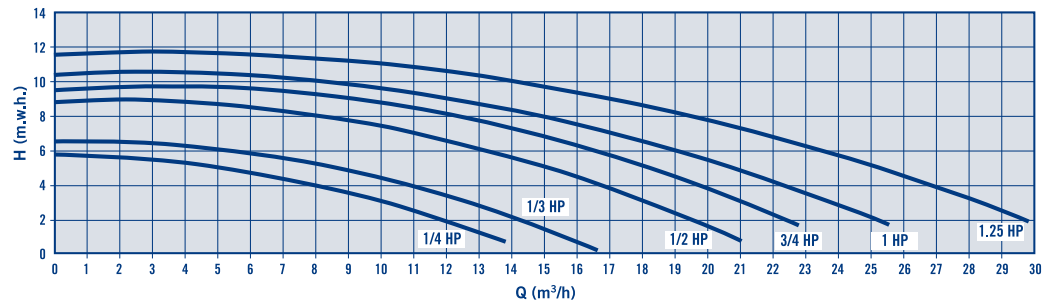
Astramax pump Vertical discharge with strainer



Made in ABS and fibreglass. Can work without strainer. Most suitable for above-ground pools. Versatile and light. Flow rate given at 4 m head for 1/4 HP & 1/3 HP and 8 m head for the rest of the range. 3,000 rpm.

	Code	Standard Packaging	Standard Weight Kg	Standard Volume m ³
7,500 l/h 0.19 kW (1/4 HP) 230 V II	16354	1	6.5	0.055
10,500 l/h 0.25 kW (1/3 HP) 230 V II	16356	1	7.1	0.055
8,000 l/h 0.38 kW (1/2 HP) 230 V II	16119	1	7.5	0.055
12,000 l/h 0.56 kW (3/4 HP) 230 V II	15746	1	10.0	0.055
14,500 l/h 0.74 kW (1 HP) 230 V II	15747	1	10.5	0.055
19,000 l/h 0.92 kW (1.25 HP) 230 V II	15748	1	13.0	0.055

Performance curves



Strainer Astramax pump



Strainer for Astramax pump. Body in ABS and fibreglass. With transparent lid and anti-corrosive strainer basket. Suction 2 1/4" male thread. Connection to pump 2 3/4" female thread.

Code	Standard Packaging	Standard Weight Kg	Standard Volume m ³
16104	1	1.5	0.017

CENTRIFUGAL PUMPS



Aral C-3000 pump

Made in cast iron. Mechanical seal in stainless steel. IP-54 motor protection. Stainless steel AISI-316 shaft. With stainless steel AISI-304 strainer basket. 3000 rpm. Connections PN 16 according to DIN 2501. Also available with bronze impeller.



230 V valid for voltages between 220 & 240 V
 400 V valid for voltages between 380 & 420 V
 690 V valid for voltages between 660 & 720 V

	Code	Standard Packaging	Standard Weight Kg	Standard Volume m ³
--	------	--------------------	--------------------	--------------------------------

Power 2.20 kW (3 HP)

Connection DN 80-3" for Ø 90 mm pipe

m.w.h.	8	10	12	14	16	19
m ³ /h	59	54	46	40	30	0

Voltage 230/400 V III **01193** 1 71 0.162

Power 2.95 kW (4 HP)

Connection DN 80-3" for Ø 90 mm pipe

m.w.h.	8	10	12	14	16	19
m ³ /h	67	61	55	48	40	0

Voltage 230/400 V III **01194** 1 74 0.162
 Voltage 400/690 V III **01195** 1 74 0.162

Power 4 kW (5.5 HP)

Connection DN 80-3" for Ø 90 mm pipe

m.w.h.	8	10	12	14	16	20
m ³ /h	78	72	66	60	52	0

Voltage 230/400 V III **01196** 1 80 0.162
 Voltage 400/690 V III **01197** 1 80 0.162

Power 4 kW (5.5 HP)

Connection DN 100-4" for Ø 110 mm pipe

m.w.h.	8	10	12	14	16	20
m ³ /h	100	89	70	60	48	0

Voltage 230/400 V III **01198** 1 89 0.197
 Voltage 400/690 V III **01199** 1 89 0.197

SEE TECHNICAL FEATURES IN PAGE 207

CENTRIFUGAL PUMPS



Aral C-3000 pump

Made in cast iron. 3,000 rpm.
Also available with bronze impeller.

Power 5.5 kW (7.5 HP)

Connection DN 100-4" for Ø 110 mm pipe

Code	Standard Packaging	Standard Weight Kg	Standard Volume m ³
------	--------------------	--------------------	--------------------------------

m.w.h.	8	10	12	14	16	19
m ³ /h	126	115	100	80	60	0

Voltage 230/400 V III	01200	1	113	0.197
Voltage 400/690 V III	01201	1	113	0.197

Power 7.5 kW (10 HP)

Connection DN 100-4" for Ø 110 mm pipe

m.w.h.	8	10	12	14	16	20
m ³ /h	145	140	123	107	86	0

Voltage 230/400 V III	01202	1	115	0.197
Voltage 400/690 V III	01203	1	115	0.197

Power 8.7 kW (12.5 HP) Connections

Suction DN 125-5" for Ø 140 mm pipe

Discharge DN 100-4" for Ø 140 mm pipe

m.w.h.	8	10	12	14	16	21
m ³ /h	165	158	149	135	115	0

Voltage 230/400 V III	01204	1	115	0.197
Voltage 400/690 V III	01205	1	115	0.197

Power 11,04 kW (15 HP) Connections

Suction DN 125-5" for Ø 140 mm pipe

Discharge DN 125-5" for Ø 140 mm pipe

m.w.h.	8	10	12	14	16	22
m ³ /h	195	190	175	160	140	0

Voltage 230/400 V III	01206	1	121	0.197
Voltage 400/690 V III	01207	1	121	0.197

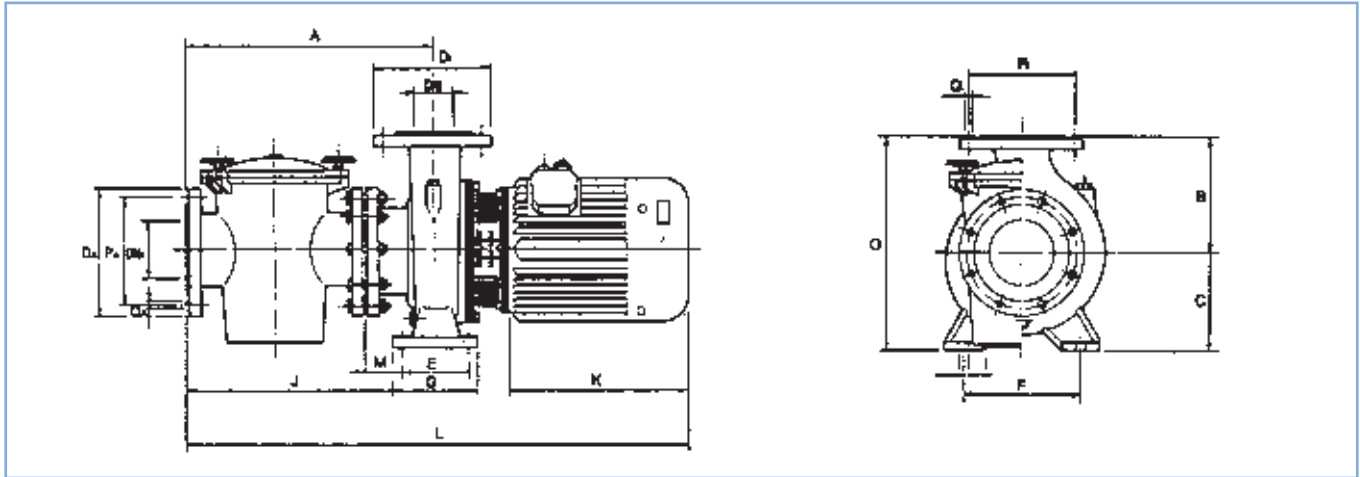


230 V valid for voltages between 220 & 240 V
400 V valid for voltages between 380 & 420 V
690 V valid for voltages between 660 & 720 V

SEE TECHNICAL FEATURES IN PAGE 207

CENTRIFUGAL PUMPS

Aral C-3000 pump, technical features



Code	VOLTAGE V	Current in Amps		Power		Suction Connections					Discharge Connection				
		III 230 V	III 400 V	kW	HP	D _A (mm)	DN _A	P _A (mm)	Q _A		D _i (mm)	DN _i	P _i (mm)	Q _i	
		N°	Ø (mm)	N°	Ø (mm)	N°	Ø (mm)	N°	Ø (mm)	N°	Ø (mm)				
01193	230/400	9	5.2	2.20	3	200	80-3"	160	8	18	200	80-3"	160	8	18
01194	230/400	12	7	2.95	4	200	80-3"	160	8	18	200	80-3"	160	8	18
01195	400/690	-	7												
01196	230/400	16	9.1	4	5.5	200	80-3"	160	8	18	200	80-3"	160	8	18
01197	400/690	-	9.1												
01198	230/400	16	9.1	4	5.5	220	100-4"	180	8	18	220	100-4"	180	8	18
01199	400/690	-	9.1												
01200	230/400	19	11	5.5	7.5	220	100-4"	180	8	18	220	100-4"	180	8	18
01201	400/690	-	11												
01202	230/400	26	15	7.5	10	220	100-4"	180	8	18	220	100-4"	180	8	18
01203	400/690	-	15												
01204	230/400	39	22	8.7	12.5	250	125-5"	210	8	18	220	100-4"	210	8	18
01205	400/690	-	22												
01206	230/400	39	22.5	11.04	15	250	125-5"	210	8	18	250	125-5"	210	8	18
01207	400/690	-	22.5												

Code	Power		Dimensions (mm)											
	kW	HP	A	B	C	E	F	G	I	J	K	L	M	O
01193	2.20	3	485	180	160	70	212	100	14	435	245	888	65	340
01194 01195	2.95	4	485	180	160	70	212	100	14	435	245	888	65	340
01196 01197	4	5.5	485	180	160	70	212	100	14	435	273	920	65	340
01198 01199	4	5.5	487	205	160	95	187	125	14	425	273	940	55	365
01200 01201	5.5	7.5	487	205	160	95	187	125	14	425	315	976	55	365
01202 01203	7.5	10	487	205	160	95	187	125	14	425	315	976	55	365
01204 01205	8.7	12.5	487	205	160	95	187	125	14	425	355	1016	55	365
01206 01207	11.04	15	517	233	181	95	187	125	14	455	355	1029	70	365

CENTRIFUGAL PUMPS



Aral C-150 pump

Made in cast iron. Mechanical seal in stainless steel. IP-54 motor protection. Stainless steel AISI- 316 shaft. With stainless steel AISI-304 strainer basket. Connections PN 16 according to DIN 2501. 1,450 rpm.
Also available with bronze impeller.

Power 2.20 kW (3 HP) Connections
 Suction DN 65-2 1/2" for Ø 75 mm pipe
 Discharge DN 50-2" for Ø 63 mm pipe

	Code	Standard Packaging	Standard Weight Kg	Standard Volume m ³
--	------	--------------------	--------------------	--------------------------------

m.w.h.	8	10	12	14	16	20
m ³ /h	-	50	44	30	0	-

Voltage 230/400 V III **01208** 1 107.0 0.195

Power 3 kW (4 HP) Connections
 Suction DN 80-3" for Ø 90 mm pipe
 Discharge DN 65-2 1/2" for Ø 75 mm pipe

m.w.h.	8	10	12	14	16	20
m ³ /h	-	68	60	45	0	-

Voltage 230/400 V III **01209** 1 115.0 0.195
 Voltage 400/690 V III **01210** 1 115.0 0.195

Power 4 kW (5.5 HP) Connections
 Suction DN 80-3" for Ø 90 mm pipe
 Discharge DN 65-2 1/2" for Ø 75 mm pipe

m.w.h.	8	10	12	14	16	19
m ³ /h	-	88	80	70	58	0

Voltage 230/400 V III **01211** 1 142.0 0.195
 Voltage 400/690 V III **01212** 1 142.0 0.195

Power 5.5 kW (7.5 HP) Connections
 Suction DN 80-3" for Ø 90 mm pipe
 Discharge DN 65-2 1/2" for Ø 75 mm pipe

m.w.h.	8	10	12	14	16	21
m ³ /h	-	108	98	88	77	0

Voltage 230/400 V III **01213** 1 163.0 0.407
 Voltage 400/690 V III **01214** 1 163.0 0.407

Power 5.5 kW (7.5 HP) Connections
 Suction DN 100-4" for Ø 110 mm pipe
 Discharge DN 80-3" for Ø 90 mm pipe

m.w.h.	8	10	12	14	16	18
m ³ /h	-	115	101	87	70	0

Voltage 230/400 V III **01215** 1 170.0 0.407
 Voltage 400/690 V III **01216** 1 170.0 0.407

Power 7.5 kW (10 HP) Connections
 Suction DN 100-4" for Ø 110 mm pipe
 Discharge DN 80-3" for Ø 90 mm pipe

m.w.h.	8	10	12	14	16	20
m ³ /h	-	150	140	125	115	0

Voltage 230/400 V III **01217** 1 179.0 0.407
 Voltage 400/690 V III **01218** 1 179.0 0.407



230 V valid for voltages between 220 & 240 V
 400 V valid for voltages between 380 & 420 V
 690 V valid for voltages between 660 & 720 V

SEE TECHNICAL FEATURES IN PAGE 210

CENTRIFUGAL PUMPS



Aral C-1500 pump

Made in cast iron. 1,450 rpm.
Also available with bronze impeller.

Power 9.20 kW (12.5 HP) Connections
Suction DN 125-5" for Ø 140 mm pipe
Discharge DN 100-4" for Ø 110 mm pipe

Voltage 230/400 V III
Voltage 400/690 V III

Code	Standard Packaging	Standard Weight Kg	Standard Volume m ³
------	--------------------	--------------------	--------------------------------

m.w.h.	8	10	12	14	16	20
m ³ /h	-	192	175	155	130	-

01219	1	215.0	0.407
01220	1	215.0	0.407

Power 11 kW (15 HP) Connections
Suction DN 125-5" for Ø 140 mm pipe
Discharge DN 100-4" for Ø 110 mm pipe

Voltage 230/400 V III
Voltage 400/690 V III

m.w.h.	8	10	12	14	16	18	20	22
m ³ /h	-	200	185	165	145	125	95	0

01221	1	245.0	0.407
01222	1	245.0	0.407

230 V valid for voltages between 220 & 240 V
400 V valid for voltages between 380 & 420 V
690 V valid for voltages between 660 & 720 V

Power 15 kW (20 HP) Connections
Suction DN 150-6" for Ø 160 mm pipe
Discharge DN 125-5" for Ø 140 mm pipe

Voltage 230/400 V III
Voltage 400/690 V III

m.w.h.	10	12	14	16	18	19
m ³ /h	240	210	180	145	105	0

01223	1	255.0	0.407
01224	1	255.0	0.407

Power 18.40 kW (25 HP) Connections
Suction DN 150-6" for Ø 160 mm pipe
Discharge DN 125-5" for Ø 140 mm pipe

Voltage 230/400 V III
Voltage 400/690 V III

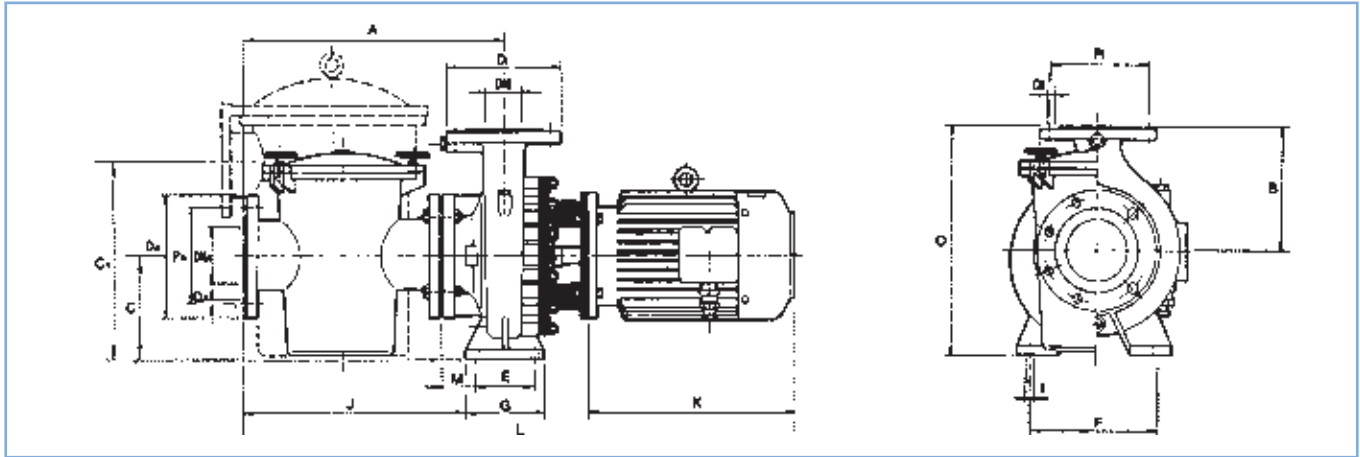
m.w.h.	8	10	12	14	16	18	20	22
m ³ /h	-	275	258	234	202	169	120	0

01225	1	255.0	0.407
01226	1	255.0	0.407

SEE TECHNICAL FEATURES IN PAGE 210

CENTRIFUGAL PUMPS

Aral C-1500 technical features



Code	VOLTAGE V	Current in Amps		Power		Suction Connection					Discharge Connection				
		III 230 V	III 400 V	kW	HP	DA (mm)	DNA	PA (mm)	QA		Di (mm)	DNi	Pi (mm)	Qi	
									N°	Ø (mm)				N°	Ø (mm)
01208	230/400	9.8	5.7	2.20	3	185	65-2½"	145	8	18	165	50-2"	125	4	18
01209	230/400	12.1	7	3	4	200	80-3"	160	8	18	185	65-2½"	145	4	18
01210	400/690	-	7												
01211	230/400	17	9.7	4	5.5	200	80-3"	160	8	18	185	65-2½"	145	4	18
01212	400/690	-	9.7												
01213	230/400	21.3	12.3	5.5	7.5	200	80-3"	160	8	18	185	65-2½"	145	4	18
01214	400/690	-	12.3												
01215	230/400	21.3	12.3	5.5	7.5	220	100-4"	180	8	18	200	80-3"	160	8	18
01216	400/690	-	12.3												
01217	230/400	28.4	16.4	7.5	10	220	100-4"	180	8	18	200	80-3"	160	8	18
01218	400/690	-	16.4												
01219	230/400	32.9	19	9.20	12.5	250	125-5"	210	8	18	220	100-4"	180	8	18
01220	400/690	-	19												
01221	230/400	42	24	11	15	250	125-5"	210	8	18	220	100-4"	180	8	18
01222	400/690	-	24												
*01223	230/400	53.7	32	15	20	285	150-6"	240	8	22	250	125-5"	210	8	18
*01224	400/690	-	32												
*01225	230/400	53.5	36	18.40	25	285	150-6"	240	8	22	250	125-5"	210	8	18
*01226	400/690	-	36												

Code	Power		Dimensions (mm)												
	kW	HP	A	B	C	C1	E	F	G	I	J	K	L	M	O
01208	2.20	3	482	200	160	-	70	212	100	14	432	270	880	94	360
01209	2.95	4	482	225	180	-	95	250	125	14	419	310	880	50	405
01210															
01211	4	5.5	484	253	196	-	120	280	162	18	403	333	967	34	449
01212															
01213	5.5	7.5	484	253	196	-	120	280	162	18	403	410	1044	39	449
01214															
01215	5.5	7.5	514	282	193	-	120	315	162	18	433	410	1072	69	486
01216															
01217	7.5	10	514	282	193	-	120	315	162	18	433	450	1112	69	486
01218															
01219	9.20	12.5	522	280	224	-	120	315	162	18	441	450	1128	77	504
01220															
01221	11	15	522	280	224	-	120	315	162	18	441	490	1188	77	504
01222															
01223	*15	20	747	356	255	507	120	315	158	18	668	520	1438	87	611
01224															
01225	*18.40	25	747	356	255	507	120	315	158	18	668	555	1473	87	611
01226															

* With strainer 37 I

SPECIAL CENTRIFUGAL PUMPS FOR SEA WATER



Baikal C-3000 pump



Made in bronze. Stainless steel mechanical seal. IP-54 motor protection. Stainless Steel AISI- AISI-316 shaft. In built. S.S. AISI-304 strainer basket. Connections s/DIN 2501 PN16. 3000 rpm.

Code	Standard Packaging	Standard Weight Kg	Standard Volume m ³
------	--------------------	--------------------	--------------------------------

Power 2.20 kW (3 HP)

Connection DN 80 - 3", for Ø 90 mm

m.w.h.	8	10	12	14	16	19
m ³ /h	59	54	46	40	30	0

Voltage 230/400 V III

01242 1 81 0.162



Power 2.95 kW (4 HP)

Connection DN 80 - 3", for Ø 90 mm

m.w.h.	8	10	12	14	16	19
m ³ /h	67	61	55	48	40	0

Voltage 230/400 V III

01243 1 84 0.162

Voltage 400/690 V III

01244 1 84 0.162

230 V valid for voltages between 220 & 240 V
 400 V valid for voltages between 380 & 420 V
 690 V valid for voltages between 660 & 720 V

Power 4 kW (5.5 HP)

Connection DN 80 - 3", for Ø 90 mm

m.w.h.	8	10	12	14	16	20
m ³ /h	78	72	66	60	52	0

Voltage 230/400 V III

01245 1 91 0.162

Voltage 400/690 V III

01246 1 91 0.162

Power 4 kW (5.5 HP)

Connection DN 100 - 4", for Ø 110 mm

m.w.h.	8	10	12	14	16	20
m ³ /h	100	89	70	60	48	0

Voltage 230/400 V III

01247 1 101 0.197

Voltage 400/690 V III

01248 1 101 0.197

SEE TECHNICAL FEATURES IN PAGE 213

SPECIAL CENTRIFUGAL PUMPS FOR SEA WATER



Baikal C-3000 pump

Made in bronze. 3,000 rpm.

Power 5.5 kW (7.5 HP)

Connection DN 100 - 4", for Ø 110 mm

Code	Standard Packaging	Standard Weight Kg	Standard Volume m ³
------	--------------------	--------------------	--------------------------------

m.w.h.	8	10	12	14	16	19
m ³ /h	126	115	100	80	60	0

Voltage 230/400 V III

01249

1

128

0.197

Voltage 400/690 V III

01250

1

128

0.197

Power 7.5 kW (10 HP)

Connection DN 100-4" for Ø 110 mm

m.w.h.	8	10	12	14	16	20
m ³ /h	145	140	123	107	86	0

Voltage 230/400 V III

01251

1

131

0.197

Voltage 400/690 V III

01252

1

131

0.197

Power 8.7 kW (12.5 HP) Connections

Suction DN 125-5" for Ø 140 mm

Discharge DN 100-4" for Ø 140 mm

m.w.h.	8	10	12	14	16	21
m ³ /h	165	158	149	135	115	0

Voltage 230/400 V III

01253

1

131

0.197

Voltage 400/690 V III

01254

1

131

0.197

Power 11.04 kW (15 HP) Connections

Suction DN 125-5" for Ø 140 mm

Discharge DN 125-5" for Ø 140 mm

m.w.h.	8	10	12	14	16	22
m ³ /h	195	190	175	160	140	0

Voltage 230/400 V III

01255

1

137

0.197

Voltage 400/690 V III

01256

1

137

0.197



230 V valid for voltages between 220 & 240 V

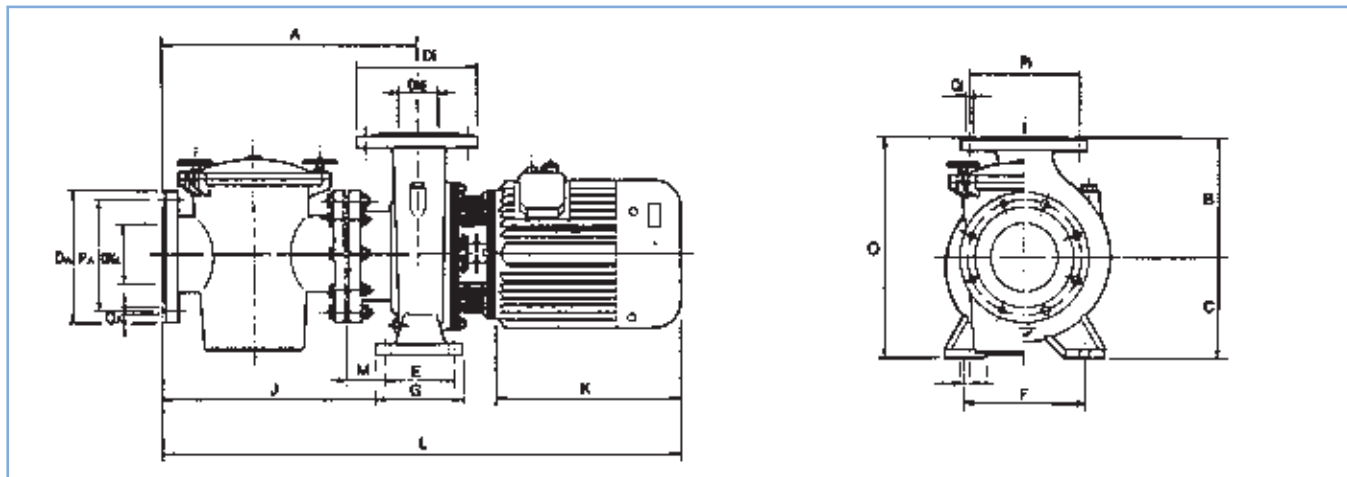
400 V valid for voltages between 380 & 420 V

690 V valid for voltages between 660 & 720 V

SEE TECHNICAL FEATURES IN PAGE 213

SPECIAL CENTRIFUGAL PUMPS FOR SEA WATER

Baikal C-3000 pump technical features



Code	VOLTAGE V	Current in Amps		Power		Suction Connection					Discharge Connection				
		III 230 V	III 400 V	kW	HP	D _A (mm)	DN _A	P _A (mm)	Q _A		D _i (mm)	DN _i	P _i (mm)	Q _i	
									N°	Ø (mm)				N°	Ø (mm)
01242	230/400	9	5.2	2.20	3	200	80-3"	160	8	18	200	80-3"	160	4	18
01243	230/400	12	7	2.95	4	200	80-3"	160	8	18	200	80-3"	160	4	18
01244	400/690	-	7												
01245	230/400	16	9.1	4	5.5	200	80-3"	160	8	18	200	80-3"	160	4	18
01246	400/690	-	9.1												
01247	230/400	16	9.1	4	5.5	220	100-4"	180	8	18	220	100-4"	180	4	18
01248	400/690	-	9.1												
01249	230/400	19	11	5.5	7.5	220	100-4"	180	8	18	220	100-4"	180	8	18
01250	400/690	-	11												
01251	230/400	26	15	7.5	10	220	100-4"	180	8	18	220	100-4"	180	8	18
01252	400/690	-	15												
01253	230/400	39	22	8.7	12.5	250	125-5"	210	8	18	220	100-4"	210	8	18
01254	400/690	-	22												
01255	230/400	39	22.5	11.04	15	250	125-5"	210	8	18	250	125-5"	210	8	18
01256	400/690	-	22.5												

Code	Power		Dimensions (mm)											
	kW	HP	A	B	C	E	F	G	I	J	K	L	M	O
01242	2.20	3	485	180	160	70	212	100	14	435	245	888	65	340
01243 01244	2.95	4	485	180	160	70	212	100	14	435	245	888	65	340
01245 01246	4	5.5	485	180	160	70	212	100	14	435	273	920	65	340
01247 01248	4	5.5	487	205	160	95	187	125	14	425	273	940	55	365
01249 01250	5.5	7.5	487	205	160	95	187	125	14	425	315	976	55	365
01251 01252	7.5	10	487	205	160	95	187	125	14	425	315	976	55	365
01253 01254	8.7	12.5	487	205	160	95	187	125	14	425	355	1016	55	365
01255 01256	11.04	15	517	233	181	95	187	125	14	455	355	1029	70	365

STRAINERS



Strainer in polypropylene and fibreglass

Flanges drilled according to DIN-2501 Standard. Supplied with 3 piece coupling at the inlet. 8 litre capacity. Inlet size: Ø 90 mm and outlet Ø 110 mm.

Code	Standard Packaging	Standard Weight Kg	Standard Volume m ³
09879	1	8.4	0.098



Strainer in polyester and fibreglass 33 l capacity

Flanges drilled according to DIN-2501 Standard. Hoop type clamp. Drain plug. Maximum working pressure: 1.5 bar.

33 l Capacity

Connections Ø 90 mm. 37 m³/h
 Connections Ø 110 mm. 55 m³/h
 Connections Ø 125 mm. 72 m³/h
 Connections Ø 140 mm. 90 m³/h

Code	Standard Packaging	Standard Weight Kg	Standard Volume m ³
04656	1	25	0.180
04657	1	25	0.180
04658	1	25	0.180
04659	1	25	0.180



Strainer in polyester and fibreglass 60 l capacity

Flanges drilled according to DIN-2501 Standard. Hoop type clamp. Drain plug. Maximum working pressure: 1,5 bar.

60 l Capacity

Connections Ø 160 mm. 118 m³/h
 Connections Ø 200 mm. 184 m³/h
 Connections Ø 225 mm. 233 m³/h

Code	Standard Packaging	Standard Weight Kg	Standard Volume m ³
10886	1	37	0.350
10887	1	37	0.350
10888	1	37	0.350



Strainer in polyester and fibreglass with sight glass lid 33 l capacity

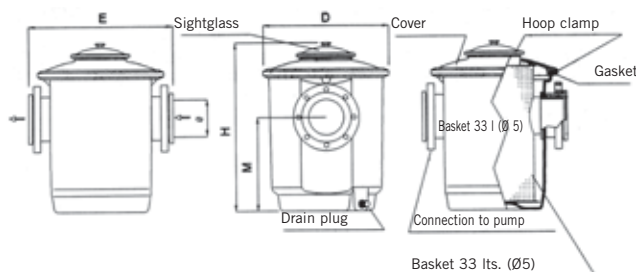
Flanges drilled according to DIN-2501 Standard. Hoop type clamp. Drain plug. Maximum working pressure: 1.5 bar.

33 l Capacity

Connections Ø 90 mm. 37 m³/h
 Connections Ø 110 mm. 55 m³/h
 Connections Ø 125 mm. 72 m³/h
 Connections Ø 140 mm. 90 m³/h
 Strainer 3". 37 m³/h
 Strainer 4". 55 m³/h

Code	Standard Packaging	Standard Weight Kg	Standard Volume m ³
15644	1	25	0.180
15645	1	25	0.180
15646	1	25	0.180
15647	1	25	0.180
15648	1	25	0.180
15649	1	25	0.180

33 l POLYESTER STRAINERS



Code	15644	15645	15646	15647	15648	15649
H	635	635	635	635	635	635
D	475	475	475	475	475	475
M	353	353	353	353	353	353
Ø	90	110	125	140	3"	4"
E	500	516	532	546	500	516

STRAINERS



60 I POLYESTER STRAINER.



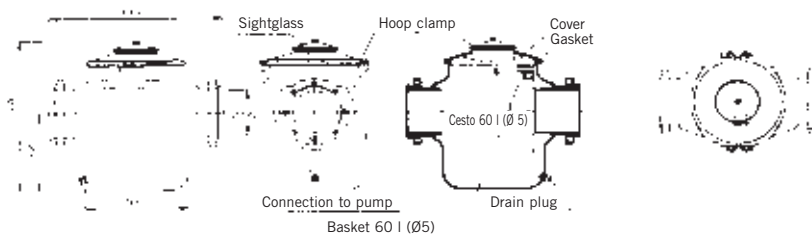
Strainer in polyester and fibreglass with sightglass lid 60 l capacity

Flanges drilled according to DIN-2501 Standard. Hoop type clamp. Drain plug. Maximum working pressure: 1.5 bar.

60 l Capacity

- Connections Ø 160 mm. 118 m³/h
- Connections Ø 200 mm. 174 m³/h
- Connections Ø 225 mm. 233 m³/h
- Strainer 6". 118 m³/h
- Strainer 8". 233 m³/h

Code	Standard Packaging	Standard Weight Kg	Standard Volume m ³
15650	1	37	0.350
15651	1	37	0.350
15652	1	37	0.350
15653	1	37	0.350
15654	1	37	0.350



Aral strainers



Aral 11 l



Aral 37 l

Housing and cover in cast iron. AISI-304 Stainless Steel Strainer basket. Flange connection are manufactured in accordance with DIN-2501 Standard. Maximum working pressure 2.5 bar.

11 l Capacity

- Flanges DN 65 (2½") DN 65 (2½")
- *Flanges DN 80 (3") DN 80 (3")
- *Flanges DN 80 (3") DN 80 (3") (Especial)
- Flanges DN 100 (4") DN 100 (4")
- Flanges DN 125 (5") DN 125 (5")
- Flanges DN 80 (3") DN 65 (2½")
- Flanges DN100 (4") DN 80 (3")
- Flanges DN 125 (5") DN 100 (4")

Code	Standard Packaging	Standard Weight Kg	Standard Volume m ³
20026	1	35	0.051
20027	1	35	0.051
20028	1	35	0.051
20029	1	35	0.051
20030	1	35	0.051
20031	1	35	0.051
20032	1	35	0.051
20033	1	35	0.051

37 l Capacity

- Flanges DN 125 (5") DN 125 (5")
- Flanges DN 150 (6") DN 150 (6")
- Flanges DN 150 (6") DN 125 (5")

01267	1	129	0.319
01268	1	129	0.319
01272	1	129	0.319

* See differences in technical chart

STRAINERS



Baikal strainers



Bronze strainers. Flanges drilled according to DIN-2501 Standard. Stainless steel AISI-304 basket. Maximum working pressure 2.5 bar.

11 l Capacity

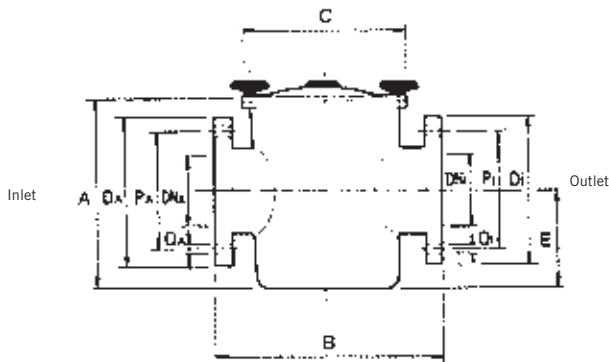
- Flanges DN 65 (2½") DN 65 (2½")
- Flanges DN 80 (3") DN 80 (3")
- Flanges DN 100 (4") DN 100 (4")
- Flanges DN 125 (5") DN 125 (5")
- Flanges DN 100 (4") DN 80 (3")
- Flanges DN 125 (5") DN 100 (4")

Code	Standard Packaging	Standard Weight Kg	Standard Volume m ³
01273	1	44	0.051
01274	1	44	0.051
01275	1	44	0.051
01276	1	44	0.051
01278	1	44	0.051
01279	1	44	0.051

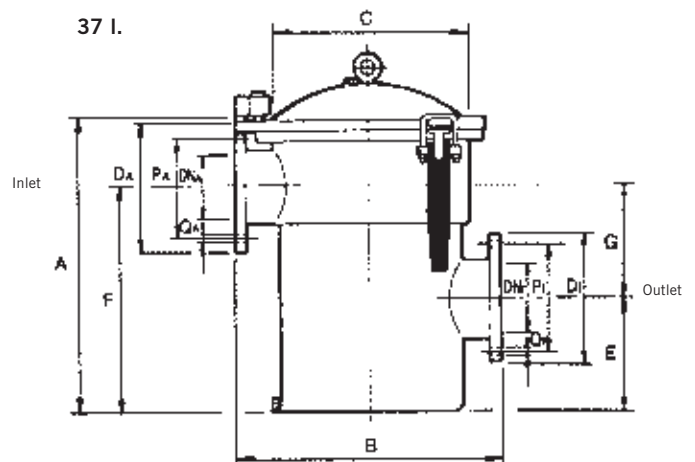
Technical features

Code		Capacity I	Inlet Connection					Outlet Connection					Dimensions (mm)					
Aral	Baikal		DA (mm)	DNA	PA (mm)	QA		Di (mm)	DNi	Pi (mm)	Qi		A	B	C	E	F	G
						N°	Ø (mm)				N°	Ø (mm)						
20026	01273	11	185	65-2½"	145	4	18	185	65-2½"	145	4	18	315	392	295	159	-	-
20027	01274	11	200	80-3"	160	8	18	200	80-3"	160	8	18	315	392	295	159	-	-
20028	-	11	200	80-3"	160	8	18	200	80-3"	160	4	18	315	392	295	159	-	-
20029	01275	11	220	100-4"	180	8	18	220	100-4"	180	8	18	315	392	295	159	-	-
20030	01276	11	250	125-5"	210	8	18	250	125-5"	210	8	18	315	392	295	159	-	-
20031	01277	11	200	80-3"	160	8	18	185	65-2½"	145	4	18	315	392	295	159	-	-
20032	01278	11	220	100-4"	180	8	18	200	80-3"	160	8	18	315	392	295	159	-	-
20033	01279	11	250	125-5"	210	8	18	220	100-4"	180	8	18	315	392	295	159	-	-
01267	-	37	250	125-5"	210	8	18	250	125-5"	210	8	18	649	600	542	250	507	257
01268	-	37	285	150-6"	240	8	22	285	150-6"	240	8	22	649	600	542	250	507	257
01272	-	37	285	150-6"	240	8	22	250	125-5"	210	8	18	649	600	542	250	507	257

11 l.



37 l.



STRAINERS

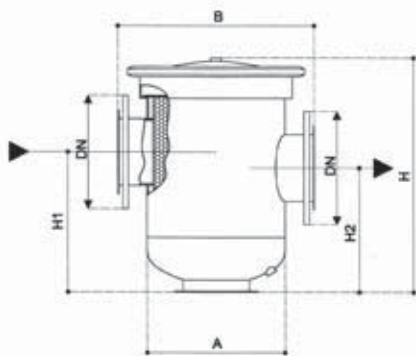


Strainer in Stainless Steel

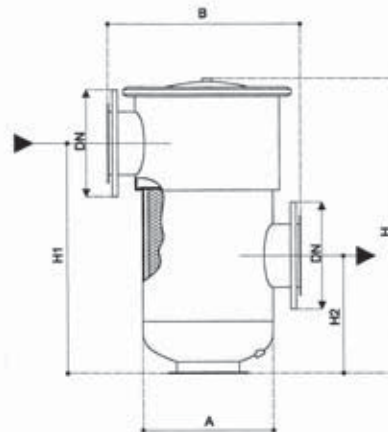
With removable basket. Housing in AISI-304 and strainer basket in AISI-316. Models come in varying diameters to suit pump suction (impeller protection). Rough straining for different installations.

	Code	Standard Packaging	Standard Weight Kg	Standard Volume m ³
S.S. strainer DN 100 with PVC flange	21461	1	17.6	0.06
S.S. strainer DN 100 TF with PVC flange	21462	1	21.6	0.09
S.S. strainer DN 125 with PVC flange	21463	1	19.0	0.06
S.S. strainer DN 125 TF with PVC flange	21464	1	23.0	0.09
S.S. strainer DN 150 with PVC flange	21465	1	24.8	0.08
S.S. strainer DN 150 TF with PVC flange	21466	1	31.0	0.13
S.S. strainer DN 200 with PVC flange	21467	1	25.4	0.08
S.S. strainer DN 200 TF with PVC flange	21468	1	31.6	0.13

Code	Diameter		Pressure (bar)	External volume					Material	Interior basket			Weight (kg)
	Inlet Outlet	Purge		Dimensions (mm)						Dimensions (mm)			
				A	B	H	H1	H2		∅	H	Perforation	
21461	DN 100	1/2"	3	292	410	520	294	254	AISI 316	270	350	6 mm	17.6
21462	DN 100	1/2"	3	292	425	735	593	308	AISI 316	270	415	6 mm	21.6
21463	DN 125	1/2"	3	292	410	520	294	254	AISI 316	270	350	6 mm	19.0
21464	DN 125	1/2"	3	292	425	735	593	308	AISI 316	270	415	6 mm	23.0
21465	DN 150	1/2"	3	350	450	520	294	254	AISI 316	320	350	6 mm	24.8
21466	DN 150	1/2"	3	350	470	775	595	295	AISI 316	320	415	6 mm	31.0
21467	DN 200	1/2"	3	350	450	520	294	254	AISI 316	320	350	6 mm	25.4
21468	DN 200	1/2"	3	350	470	775	595	295	AISI 316	320	415	6 mm	31.6



MOD. STANDARD



MOD. TF

VALVES AND FLANGES



Check valves



Nominal pressure 10 kg/cm². Mounted between flanges. Available in PN 16 and PN 25 under special order.

	Code	Standard Packaging	Standard Weight Kg	Standard Volume m ³
Outlets Ø 50 mm	20239	1	–	–
Outlets Ø 65 mm	20240	1	–	–
Outlets Ø 80 mm	20241	1	–	–
Outlets Ø 100 mm	20242	1	–	–
Outlets Ø 125 mm	20243	1	–	–
Outlets Ø 150 mm	20244	1	–	–
Outlets Ø 200 mm	20245	1	–	–
Outlets Ø 250 mm	20246	1	–	–



Vibration absorbent brushing



Flanges in galvanised steel. Elastic material: Polychloroprene. Maximum temperature: 95° C. Nominal pressure: 10 kg/cm² (PN/10). Available in PN 16 under special order.

	Code	Standard Packaging	Standard Weight Kg	Standard Volume m ³
Outlets Ø 50 mm	20231	1	–	–
Outlets Ø 65 mm	20232	1	–	–
Outlets Ø 80 mm	20233	1	–	–
Outlets Ø 100 mm	20234	1	–	–
Outlets Ø 125 mm	20235	1	–	–
Outlets Ø 150 mm	20236	1	–	–
Outlets Ø 200 mm	20237	1	–	–
Outlets Ø 250 mm	20238	1	–	–



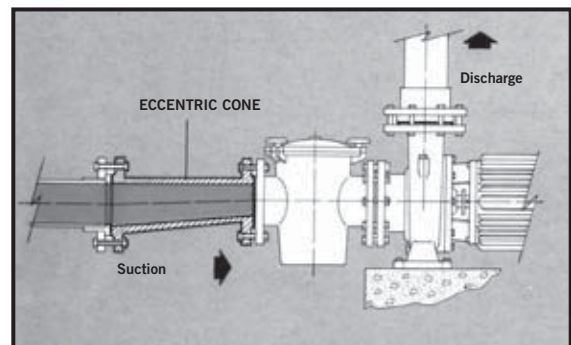
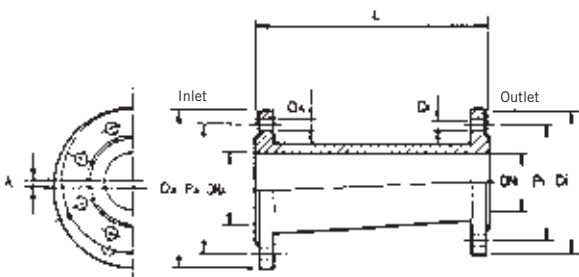
Eccentric cones



In cast iron.

Flanges DN 100 (4") DN 80 (3")
 Flanges DN 125 (5") DN 100 (4")
 Flanges DN 150 (6") DN 125 (5")

	Code	Standard Packaging	Standard Weight Kg	Standard Volume m ³
Flanges DN 100 (4") DN 80 (3")	01280	1	12	0.04
Flanges DN 125 (5") DN 100 (4")	01281	1	17	0.04
Flanges DN 150 (6") DN 125 (5")	01282	1	23	0.04



Technical features

Code	Inlet connection			Outlet Connection				Dimensions (mm)				
	D _A (mm)	DN _A	P _A	Q _A		D _i	DN _i	P _i	Q _i			
Cast iron				N°	Ø				N°	Ø	A	L
01280	220	100-4"	180	8	18	200	80-3"	160	8	18	10	275
01281	250	125-5"	210	8	18	220	100-4"	180	8	1	12,5	325
01282	285	150-6"	240	8	22	250	125-5"	210	8	18	12,5	385

CONTROL BOXES



New

Smartspeed

Variable speed control boxes and pumps for public swimming pools.

	Code	Standard Packaging	Standard Weight Kg	Standard Volume m ³
Smartspeed 3 HP	52246	1	13.5	0.078
Smartspeed 3.5 HP	52247	1	13.5	0.078
Smartspeed 4.5 - 5.5 HP	52248	1	13.5	0.078
Smartspeed 7.5 HP	52249	1	13.5	0.078
Smartspeed 10 HP	52250	1	13.5	0.078
Smartspeed 12.5 - 15 HP	52251	1	13.5	0.078

Control box for pump control



IP-65 protection. Glass panel with lock and key. All units are compatible with:

- 220/240V 1-phase (P+N+T) 50Hz/60Hz
- 380/415V 3-phase (3P+N+T) 50Hz/60Hz
- 220/230V 3-phase (3P+T) 50Hz/60Hz

24h programming clock with hourly programming. Connection for remote control of pump (on/off,...) and for auxiliary equipment (cold detector, level control...). All products supplied with:

- Electrical diagram
- Connection diagram
- Instructions for installation
- CE conformity certificate
- Stuffing box at every cable entrance
- Screws and plugs (4) for fixing to wall

The control box model should be selected according to the nominal voltage of the pump:

Type	Current Range	Power Range 1-phase 230V	Power Range 3-phases 400V	Power Range 3-phases 230V
A	1.6A - 2.5A	1/4 HP	3/4 HP - 1 HP	1/2 HP
B	2.5A - 4A	1/2 HP	1.5 HP - 2 HP	3/4 HP - 1 HP
C	4A - 6.3A	3/4 HP - 1 HP	3 HP*	1.5 HP
D	6A - 10A	1.5 HP	4 HP**	2 HP - 3 HP

* Also 3.5 HP 400V 3~ in plastic (Code 08003)

** Also 4.5 and 5.5 HP 400 V 3~ in plastic (Codes 08004, 08005)

Control box for pump overload protection



Thermal overload protection (1.6 to 10A), contactor, 24 hr programming clock, modular switch with 3 positions, Auto / 0 / Manual.

	Code	Standard Packaging	Standard Weight Kg	Standard Volume
Type A	25717	1	1.5	-
Type B	25718	1	1.5	-
Type C	25719	1	1.5	-
Type D	25720	1	1.5	-

CONTROL BOXES

Control box for pump overload protection and underwater light



External transformer. Thermal overload protection (4 poles, 10 A Max.), contactor, 24 hr. programming clock, modular switch "Auto / 0 / Manual". 230V 16A protected and controlled output for lights.

	Code	Standard Packaging	Standard Weight Kg	Standard Volume m ³
Type A	25721	1	1.6	-
Type B	25722	1	1.6	-
Type C	25723	1	1.6	-
Type D	25724	1	1.6	-

Control box for pump overload protection and underwater light with differential protection



External transformer with differential protection (only for 230V monophase). Thermal overload protection (4 poles, 10 A Max.), contactor, 24 hr. programming clock, modular switch "Auto / 0 / Manual". 230V 16A protected and controlled output for light. Differential switch 2 x 40A - 30 mA MONOPHASE.

	Code	Standard Packaging	Standard Weight Kg	Standard Volume m ³
Type A	25725	1	1.9	-
Type B	25726	1	1.9	-
Type C	25727	1	1.9	-
Type D	25728	1	1.9	-

Control box for pump overload protection and underwater light with differential protection



External transformer with differential protection (only for 400V three-phase). Thermal overload protection (4 poles, 10 A Max.), contactor, 24hr programming clock, modular switch "Auto / 0 / Manual". 230V 16A protected and controlled output for light. Differential switch 4 x 40A - 30 mA THREE-PHASE.

	Code	Standard Packaging	Standard Weight Kg	Standard Volume m ³
Type A	25729	1	1.9	-
Type B	25730	1	1.9	-
Type C	25731	1	1.9	-
Type D	25732	1	1.9	-

Control box for pump overload protection and 1 underwater light



Thermal overload protection (4 poles, 10 A Max.), contactor, 24 hr. programming clock, modular switch "Auto / 0 / Manual". Transformer 230/12 V - 300VA for 1 underwater light of 300W.

	Code	Standard Packaging	Standard Weight Kg	Standard Volume m ³
Type A	25733	1	6	-
Type B	25734	1	6	-
Type C	25735	1	6	-
Type D	25736	1	6	-

Control box for pump overload protection and 2 underwater lights



Thermal overload protection (4 poles, 10 A max.), contactor, 24 hr. programming clock, modulator switch "Auto / 0 / Manual". Transformer 230/12 V - 600VA for 2 underwater lights of 300W.

	Code	Standard Packaging	Standard Weight Kg	Standard Volume m ³
Type A	25737	1	8	-
Type B	25738	1	8	-
Type C	25739	1	8	-
Type D	25740	1	8	-

CONTROL BOXES



Control box with overload protection for 2 pumps and control for 1 underwater light

Thermal overload protection (1st pump: 4 poles, 10 A max. / 2nd pump: 2 poles, 10 A max.), contactor, 24 hr. programming clock, modular switch "Auto / 0 / Manual". Transformer 230/12 V -300VA for 1 underwater light of 300W.

Type C + Type D
Type D + Type D

Code	Standard Packaging	Standard Weight Kg	Standard Volume m ³
25741	1	7.5	-
25742	1	7.5	-



Control box with protection for 2 pumps and control for 2 underwater lights

Thermal overload protection (1st pump: 4 poles, 10 A max. / 2nd pump: 2 poles, 10 A max.), contactor, 24 hr. programming clock, modular switch "Auto / 0 / Manual". Transformer 230/12 V -600VA for 2 underwater light of 300W.

Type C + Type D
Type D + Type D

Code	Standard Packaging	Standard Weight Kg	Standard Volume m ³
25743	1	9.5	-
25744	1	9.5	-



Control box with protection for 2 pumps and control for 3 underwater lights

Thermal overload protection (4 poles, 10 A max.), contactor, 24 hr. programming clock, modular switch "Auto / 0 / Manual". Transformer 230/12 V -600VA + 300VA for 3 underwater light of 300W.

Type A
Type B
Type C
Type D

Code	Standard Packaging	Standard Weight Kg	Standard Volume m ³
27088	1	9.5	-
27089	1	9.5	-
27090	1	9.5	-
27091	1	9.5	-



Encapsulated security transformer IP-65 for pool

Manufactured according to the rules UNE-EN 61558 and directive CE.
-IP-657 housing protection degree.
-Transformer Class II. Total Protection against electric shock.
-Self-extinguishing housing IEC 695-2-1
-Frequency 50/60 Hz

130 VA to 220-240V to 12 V
400 VA to 220-240V to 12-17 V
800 VA to 220-240V to 12-17 V

Code	Standard Packaging	Standard Weight Kg	Standard Volume m ³
35807	1	3.2	0.02
35385	1	6.8	0.04
35386	1	10.4	0.04

SUBMERSIBLE PUMPS

Submersible pumps



POW 67803 model
Code 32980-2450

Range of submersible pumps for clean or dirty water. Available in plastic or stainless steel in accordance with the model.

Drainage pump for clean water

- Useful for small tanks, machinery rooms and above ground pools.
- Enables suction of up to 5 mm of water layer.
- Suctions particles of up to 5 mm in diameter.
- With 10 m of cable.
- Includes flotation switch.

Drainage pump for dirty water

- Suctions particles of up to 35 mm in diameter.
- With 10 m of cable.
- Includes flotation switch.

	Code	Standard Packaging	Standard Weight Kg	Standard Volume m ³
Plastic body				
Power Plus for clean water, POW 67850	32979-2450	1	3.83	0.008
Power Plus for clean water, POW 67803	32980-2450	1	4.62	0.011
Power Plus for dirty water, POW 67822	32981-2450	1	5.00	0.012
Power Plus for dirty water, POW 67826	32982-2450	1	5.75	0.013
Stainless Steel body				
Power Plus S.S. for dirty water, POW 67833	32984-2450	1	5.25	0.012
Power Plus S.S. for dirty water, POW 67837	32985-2450	1	6.50	0.014

WATER TREATMENT



- 224 • pH regulators
- 225 • Chlorine disinfectants and non comburent chlorine
- 227 • Chlorine multi-action disinfectants
- 230 • Bromine Disinfection
- 231 • Disinfection with active Oxygen (free from Chlorine)
- 232 • Algicide
- 233 • Flocculants
- 234 • Cleaners
- 236 • Winter care products
- 237 • Complements
- 238 • Products for Salt Electrolysis
- 240 • Water test kits
- 243 • Pocket gauges
- 244 • Checkits & photometers
- 247 • Kit Spa Moment

PH REGULATORS



Solid pH Minor



Solid state pH reducer. For adjusting pH between 7.2 and 7.6.

	Code	Standard Packaging	Standard Weight kg	Standard Volume m ³
	11384	12	20.5	0.032
	11385	4	34.1	0.053
	16540	2	34.1	0.050
	11974	1	41.2	0.040
"Special for liner pools"	24608	4	34.1	0.053



Solid pH Plus



pH enhancer in solid state. For adjusting pH between 7.2 and 7.6.

	Code	Standard Packaging	Standard Weight kg	Standard Volume m ³
	16538	12	20.5	0.032
	11386	4	26.1	0.053
	16539	2	26.2	0.050
	15975	1	36.3	0.047
"Special for liner pools"	24610	4	34.1	0.053



Liquid pH Minor



Liquid pH reducer. Ideal for pump dosage.

	Code	Standard Packaging	Standard Weight kg	Standard Volume m ³
10 l	43290	10	13.6	0.013
25 l	16541	1	33.7	0.028



Liquid pH Plus



Liquid pH enhancer. Ideal for pump dosage.

	Code	Standard Packaging	Standard Weight kg	Standard Volume m ³
25 l	16542	1	33.5	0.028

PH REGULATORS



Alkalinity enhancer

In powder form for increasing pool water alkalinity when it falls below 125 ppm.



	Code	Standard Packaging	Standard Weight kg	Standard Volume m ³
6 kg	15976	4	26.1	0.053
40 kg	19933	1	41.2	0.047

CHLORINE DISINFECTANTS AND NON COMBURENT CHLORINE

Non comburent Chlorine. Trichloroisocyanuric and multi-action tablets and blocks similar to the traditional ones but in NON COMBURENT version. According to the existing regulation, the non comburent products have a lower hazardous level than the comburent chlorinated products. For this reason, it does not have any storage limitations (379/2001 and Seveso II Standards) and less transport regulations apply.



Granulate Dicloroisocyanuric Acid 55%

Dichloroisocyanuric acid granules with 55% available Chlorine. NON COMBURENT.



	Code	Standard Packaging	Standard Weight kg	Standard Volume m ³
1 kg	11393	12	14.5	0.032
5 kg	11394	4	22.1	0.053
10 kg	16478	2	22.2	0.042
30 kg	11395	1	31.4	0.047
50 kg	11396	1	52.7	0.060
“Special for liner pools” 1 kg	24611	12	14.5	0.032
“Special for liner pools” 5 kg	24612	4	22.1	0.053



Trichloroisocyanuric acid powder

Trichloroisocyanuric acid powder with 90% available Chlorine.



	Code	Standard Packaging	Standard Weight kg	Standard Volume m ³
5 kg	11401	4	22.1	0.053
12 kg	19706	2	26.2	0.050
30 kg	11402	1	31.4	0.047
50 kg	11403	1	52.7	0.068

CHLORINE DISINFECTANTS AND NON COMBURENT CHLORINE



Trichloroisocyanuric acid granules



Trichloroisocyanuric acid granules with 90% available Chlorine.

	Code	Standard Packaging	Standard Weight kg	Standard Volume m ³
1 kg	11404	12	14.5	0.032
5 kg	11405	4	22.1	0.053
12 kg	16548	2	26.2	0.050
30 kg	11406	1	31.4	0.047
50 kg	11407	1	52.7	0.068



Fast action Chlorine tablets



20 g Trichloroisocyanuric acid tablets with 50% available Chlorine. NON COMBURENT.

	Code	Standard Packaging	Standard Weight kg	Standard Volume m ³
1 kg	11397	12	14.5	0.032
5 kg	11398	4	22.1	0.053
10 kg	16547	2	22.2	0.042
25 kg	11399	1	26.4	0.047



200 gr Trichlor tablets



Trichloroisocyanuric acid compact slow dissolving 200 gr tablets with 90% available chlorine. "Packs" of 5 tablets. (NON COMBURENT).

	Code	Standard Packaging	Standard Weight kg	Standard Volume m ³
"Special for liner pools"				
1 kg	24613	12	14.5	0.032
"Special for liner pools"				
5 kg	24614	4	22.1	0.053
1 kg	25309	12	14.5	0.032
5 kg	25310	4	22.1	0.053
12 kg	25311	2	26.2	0.050
25 kg	25312	1	26.2	0.047
50 kg	25313	1	52.7	0.068



250 gr Trichlorine tablets



A NON COMBURENT solid which dissolves slowly, highly stabilized for disinfection and maintenance of crystal-line and hygienically pure water.

	Code	Standard Packaging	Standard Weight kg	Standard Volume m ³
1 Kg	34433	12	14.5	0.032
5 Kg	34434	4	22.1	0.053
25 Kg	34436	1	26.2	0.047

CHLORINE DISINFECTANTS AND NON COMBURENT CHLORINE

Trichloroisocyanuric acid compact 500



Trichloroisocyanuric acid compact, slow dissolving, 500 gr block, in individual package, having 90% of available chlorine. NON COMBURENT.

	Code	Standard Packaging	Standard Weight kg	Standard Volume m ³
	25315	12	6.9	0.010



Hypocal granules



Calcium hypochlorite granules with 70% of available Chlorine.

	Code	Standard Packaging	Standard Weight kg	Standard Volume m ³
5 kg	15981	4	22.1	0.053
25 kg	15982	1	26.4	0.047

CHLORINE MULTI-ACTION DISINFECTANTS

Action 10



New 200 gr multi-functional tablets carrying out the following 10 functions: Disinfection, algicide, germicide, algistatic, virucide, fungicide, flocculant-coagulant, pH reduction, stabilizer and antiscaler. NON COMBURENT.

	Code	Standard Packaging	Standard Weight kg	Standard Volume m ³
5 kg	25322	4	22.1	0.053
10 kg	25323	2	22.2	0.042



Multi-action block



Slow dissolving 500 gr block, having algicide, bactericide and flocculant effect. In individual film Packaging. NON COMBURENT.

	Code	Standard Packaging	Standard Weight kg	Standard Volume m ³
5 kg	25316	4	22.1	0.053
25 kg	25355	1	26.4	0.047

AstralPool presents its new labelling for its chemical products:

- Image overhaul
- Iconic representation
- Differentiation by color.

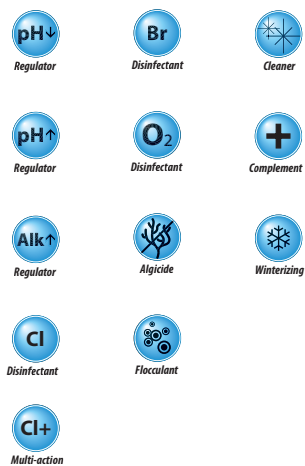
An easy and convenient way of identifying ourselves

New label

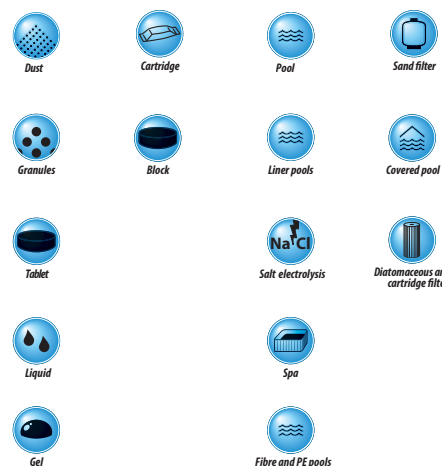


Icon description

Product type



Presentation format



Application

Product families by colour



- Disinfection
- Multi-action



- Regulators



- Algicides



- Cleaners
- Flocculants
- Complements

NOTE

The change of labelling on AstralPool's chemical products will be progressively introduced in 2010, as a result of which the new labels may overlap with the old ones for a certain period.

AstralPool guarantees that each of its products contains exactly the same as before, regardless of the labelling.

CHLORINE MULTI-ACTION DISINFECTANTS

Duralong



An integral pool water treatment with triple action of bactericide, algicide and flocculant. Includes floating dispenser. NON COMBURENT.

	Code	Standard Packaging	Standard Weight kg	Standard Volume m ³
2 kg	16563	6	13.4	0.049



Granular Multi-action disinfectant



Granular product with bactericide, algicide and flocculent effect.

	Code	Standard Packaging	Standard Weight kg	Standard Volume m ³
1 kg	15983	12	14.5	0.032
5 kg	15984	4	22.1	0.053
30 kg	15985	1	31.4	0.047



Multi-action tablet 200



Slow dissolving 200 gr tablets, with bactericide, algicide and flocculent effect. NON COMBURENT.

	Code	Standard Packaging	Standard Weight kg	Standard Volume m ³
1 kg	25319	12	14.5	0.032
5 kg	25320	4	22.1	0.053
25 kg	25321	1	26.2	0.040

Multi-action DC 200 tablet (cartridge and DE filters)



This is a "multi-action" product especially formulated for the treatment of swimming pool water with cartridge or DE filters. It avoids the danger of filter clogging. 200 g tablets, contains bactericide, algicide and flocculant.

	Code	Standard Packaging	Standard Weight kg	Standard Volume m ³
5 kg	28736	4	22.1	0.053

Multi-purpose tablet for hard water



A solid compound in tablets which is specially formulated to eliminate bacteria, viruses and micro organisms in general from the pool water with a single application; prevents the development of algae; keeps water transparent and crystal clear and prevents lime incrustations.

	Code	Standard Packaging	Standard Weight kg	Standard Volume m ³
1 kg	40935	12	14.5	0.032
5 kg	40936	4	22.1	0.053
10 kg	40937	2	22.2	0.042
25 kg	40938	1	26.2	0.047

CHLORINE MULTI-ACTION DISINFECTANTS

250 gr Multi-action tablets

A NON COMBURENT solid compound in tablets which is specially formulated to eliminate bacteria, viruses and micro organisms in general from the pool water with a single application; prevents the development of algae and keeps water transparent and crystal clear.

	Code	Standard Packaging	Standard Weight kg	Standard Volume m ³
1 kg	34438	12	14.5	0.032
5 kg	34439	4	22.1	0.053
25 kg	34440	1	26.2	0.047
50 kg	34441	1	52.7	0.068



Cartridge Filter Triplex-20

A solid compound in 20 gr. tablets which is specially formulated to eliminate bacteria, viruses and micro organisms in general from the pool water with a single application; prevents the development of algae and keeps the water transparent and crystal clear.

	Code	Standard Packaging	Standard Weight kg	Standard Volume m ³
1 kg	41075	12	14.5	0.032
5 kg	41076	4	22.1	0.053
10 kg	41077	2	22.2	0.042
25 kg	41078	1	26.2	0.047



BROMINE DISINFECTION



Bromine tablets

Slow dissolving 20 g Bromine tablets for pool and spa continuous disinfection without chlorine smell. High tolerance of pH value. Large disinfectant and oxidising capacity.

	Code	Standard Packaging	Standard Weight kg	Standard Volume m ³
5 kg	16550	5	27.1	0.076
20 kg	28740	1	24.0	0.027



DISINFECTION WITH ACTIVE OXYGEN (free from Chlorine)

Oxy-Active Liquid



A fully combined product based on Active Oxygen for disinfecting residential pools without the use of Chlorine maintaining it at the same time free from algae and cloudiness. Can be used manually or also automatically using a dosage pump.

	Code	Standard Packaging	Standard Weight kg	Standard Volume m ³
5 l	18714	4	24.1	0.033

Oxy-Active tablets



100 gr Oxygen activated tablets for continuous disinfection of residential pools. Chlorine Free.

	Code	Standard Packaging	Standard Weight kg	Standard Volume m ³
1 kg	15978	12	14.5	0.032
6 kg	15979	4	26.1	0.053

Microbid



Specially developed algicide for complementing Oxy-active tablet effect. Non-foam forming and micro-flocculent.

	Code	Standard Packaging	Standard Weight kg	Standard Volume m ³
5 l	15991	4	24.1	0.033



Oximines



Non-Chlorine shock treatment granules for Chloramines elimination. Allows bathing after 15 minutes of the shock treatment.

	Code	Standard Packaging	Standard Weight kg	Standard Volume m ³
5 kg	11433	4	22.1	0.053
30 kg	11434	1	31.4	0.047

ALGICIDE



Algicide

Prevents algae forming in the pool.

	Code	Standard Packaging	Standard Weight kg	Standard Volume m ³
1 l	11416	12	13.5	0.023
5 l	11417	4	21.6	0.033
25 l	11418	1	26.3	0.028



Algicide with brightener

High bactericide, algicide and flocculent effect.

	Code	Standard Packaging	Standard Weight kg	Standard Volume m ³
1 l	11413	12	13.6	0.023
5 l	11414	4	21.5	0.033
25 l	11415	1	26.5	0.028



Concentrated algicide

Prevents algae formation and growth.

	Code	Standard Packaging	Standard Weight kg	Standard Volume m ³
1 l	11419	12	13.5	0.023
5 l	11420	4	21.6	0.033
25 l	11421	1	26.3	0.028



Extra algicide

Very effective non-foaming algicide with flocculent action incorporated.

	Code	Standard Packaging	Standard Weight kg	Standard Volume m ³
5 l	11423	4	21.2	0.033
25 l	11424	1	27.1	0.028
“Special for liner pools”	24616	4	21.2	0.033



ALGICIDE

Indoor pool algicide



Non-foaming double-action liquid used to treat private and/or public indoor heated pool water. Formulated to prevent and eliminate algae, as well as reduce and eliminate bad odours caused by the chlorine when mixing with the nitrogenated organic material present in pool water. Chlorine or activated Oxygen act as “activating agents”, thus reducing the chloramines from the water and therefore, the “unpleasant chlorine” odour and eye irritation.

	Code	Standard Packaging	Standard Weight kg	Standard Volume m ³
1 l	41079	12	13.6	0.023
5 l	41080	4	21.2	0.033
25 l	41081	1	27.1	0.028

FLOCCULANTS



Liquid flocculant

Clarifies the water eliminating colloidal particles causing water cloudiness.



	Code	Standard Packaging	Standard Weight kg	Standard Volume m ³
1 l	11387	12	15.8	0.023
5 l	11388	4	25.4	0.033
25 l	11389	1	31.3	0.028
“Special for liner pools”	24618	4	25.4	0.033

Solid flocculant

Promotes continuous water clarity obtained by a permanent flocculent action.



	Code	Standard Packaging	Standard Weight kg	Standard Volume m ³
1 kg of product in 10 bags (sacks with 100 gr)	11390	14	19.4	0.044
1 kg of product in 10 100 gr cartridges (cartridges with three 33.3 gr tablets)	18847	14	19.4	0.044

“Double effect” water clarifier, in cartridges

Intelligent product: Combines quick flocculation with continuous clarifying action. As a result, a better disinfection and crystalline water.



	Code	Standard Packaging	Standard Weight kg	Standard Volume m ³
1 kg	18725	14	19.4	0.044

WATER TREATMENT

FLOCCULANTS

Claritab



New highly concentrated double action "coagulant" and "flocculant" tablets. They are specially designed for obtaining a more efficient sand filter effect. Its slow dissolving and controlled action eliminates thoroughly suspended particles in water (metallic iron, organic matter, etc.). Savings are obtained as disinfection chemicals are reduced.

		Code	Standard Packaging	Standard Weight kg	Standard Volume m ³
Blisters including 2 tubes of 5 tablets of 20 gr each	200 gr	25324	24	6	0.020

CLEANERS



Extra descaler

Extra strong cleaning agent. Acid.



		Code	Standard Packaging	Standard Weight kg	Standard Volume m ³
	5 l	11391	4	23.2	0.033
	25 l	11392	1	29.2	0.028



Waterline border degreaser "Non foam forming"

Special combined formula to eliminate grease and dirt from pool walls and water lines.



		Code	Standard Packaging	Standard Weight kg	Standard Volume m ³
	1 l	11425	12	14.3	0.023
	5 l	11426	4	22.8	0.033
	25 l	11427	1	28.1	0.028
"Special for liner pools"	5 l	24621	4	22.8	0.033

CLEANERS



Special cleaner for polyester and fibreglass pools

Specially designed for eliminating lime scaling and grease without damaging the pool lining.



	Code	Standard Packaging	Standard Weight kg	Standard Volume m ³
5 l	16558	4	25.5	0.033

Gelamin

Pool walls and floor de-scaling gel. Very efficient and easy application.



	Code	Standard Packaging	Standard Weight kg	Standard Volume m ³
	15987	4	22.8	0.033
“Special for liner pools”	24619	4	22.8	0.033

Lime scale remover gel specially made for the water line

Powerful liquid lime scale remover to clean the water line with degreasing ability.



	Code	Standard Packaging	Standard Weight kg	Standard Volume m ³
1 l	40931	12	14.3	0.025
5 l	40932	4	22.8	0.033
25 l	40934	1	28.0	0.028



Liquid Filnet

Liquid descaler designed specially for the inside cleaning of public pool sand filters.



	Code	Standard Packaging	Standard Weight kg	Standard Volume m ³
5 l	16498	4	24.4	0.025
25 l	16499	1	30.0	0.026



Solid Filnet

Solid descaler for the inside cleaning of sand filters.



	Code	Standard Packaging	Standard Weight kg	Standard Volume m ³
1.5 kg	15988	12	20.5	0.032

CLEANERS

S.S. Polish-cleaner

Stain remover and degreaser for cleaning all types of Stainless Steel surfaces.



	Code	Standard Packaging	Standard Weight kg	Standard Volume m ³
1 l	18713	12	13.8	0.023
5 l	16630	2	22.0	0.034

WINTER CARE PRODUCTS



Winterizing product

Prevents intense proliferation of algae and bacteria in the pool water. Prevents water from putrefaction and calcareous formation. Facilitates spring cleaning and is non-foam forming.



	Code	Standard Packaging	Standard Weight kg	Standard Volume m ³
1 l	18723	12	13.8	0.023
5 l	11430	4	24.4	0.033



Winterizing product "without Copper"

Prevents water putrefaction and algae and bacteria multiplication. Compatible with any water treatment system, including PHMB system.



	Code	Standard Packaging	Standard Weight kg	Standard Volume m ³
5 l	16553	4	24.4	0.033

Inverlong

Complete winter treatment. Prevents water putrefaction and algae and bacteria multiplication. Maintains pool water clear and includes bactericide, algicide and flocculent action. Floating dispenser is supplied.



	Code	Standard Packaging	Standard Weight kg	Standard Volume m ³
	16554	6	13.4	0.049

COMPLEMENTS

Kit-Splash

Children's pool kit. Contains: 0.5 kg granulated Dichloroisocyanuric Acid & 0.5 l concentrated algicide.



Code	Standard Packaging	Standard Weight kg	Standard Volume m ³
15986	14	17.5	0.044

Liner repair kit

20 ml glue tube and 2 liner strips. Transparent (PVC).



Code	Standard Packaging	Standard Weight kg	Standard Volume m ³
24624	50	0.07	0.02



Chlorine stabiliser

Prevents UV sun rays from destroying quickly excess of Chlorine.



	Code	Standard Packaging	Standard Weight kg	Standard Volume m ³
1 kg	16556	12	11	0.020
5 kg	16495	4	22.1	0.053
25 kg	19935	1	26.4	0.047



Chlorine and Bromine neutraliser

Eliminates excess of free residual Chlorine and Bromine.



	Code	Standard Packaging	Standard Weight kg	Standard Volume m ³
6 kg	16578	4	26.1	0.053

COMPLEMENTS



Super descaler

Highly efficient descaler. Prevents lime scale and pipe lining.



		Code	Standard Packaging	Standard Weight kg	Standard Volume m ³
	5 l	16555	4	28.5	0.033
"Special for liner pools"	5 l	24623	4	28.5	0.033



Descaler

Prevents lime scaling.



		Code	Standard Packaging	Standard Weight kg	Standard Volume m ³
	5 l	11431	4	28.5	0.033

PRODUCTS FOR SALT ELECTROLYSIS

Solid pH Minor for salt electrolysis



		Code	Standard Packaging	Standard Weight kg	Standard Volume m ³
	1.5 Kg	40918	12	20.5	0.032
	8 Kg	40919	4	34.1	0.053
	16 Kg	40920	1	34.1	0.050

Liquid pH Minor for salt electrolysis



		Code	Standard Packaging	Standard Weight kg	Standard Volume m ³
	5 l	40921	4	24.1	0.033
	10 l	40922	1	12.2	0.012
	25 l	40923	1	33.5	0.027

PRODUCTS FOR SALT ELECTROLYSIS

100 gr salt electrolysis cartridge flocculant

A coagulating and flocculant action product which eliminates suspended particles with a single application, thus improving the transparency of pool water. Its special formula also prevents the formation of calcareous deposits (lime); even preventing the calcification of filters and corrosion of metallic parts of the recirculation and filtration system.

	Code	Standard Packaging	Standard Weight kg	Standard Volume m ³
1 Kg	40924	-	14	0.036


Salt electrolysis algicide and anti-calcareous

Non-foaming, quick action algicide compound for the prevention and removal of algae. Its special formula also prevents the formation of calcareous deposits (lime); even preventing the calcification of the filters and corrosion of the metal parts of the recirculation and filtration system.

	Code	Standard Packaging	Standard Weight kg	Standard Volume m ³
1 l	40925	12	12	0.025
5 l	40926	4	20	0.034
25 l	40927	1	25	0.027


Brom Gen

Bromine Generator is a granulated inorganic compound that permits the transformation of the active chlorine generated by the electrolysis treatment of salt into Bromine to disinfect and keep the water clean and hygienically pure.

	Code	Standard Packaging	Standard Weight kg	Standard Volume m ³
5 Kg	40928	4	20	0.049


Netcel. Electrolyte Chlorinator cell cleaner

Acid cleaner, ready to use. Eliminates calcium deposits, organic residue and sediment build-up on salt chlorinator cells, without causing them any damage. Risk-free due to the lack of concentrated acid products, thus avoiding potential accidents. This product is designed for both professionals and private pool owners.

	Code	Standard Packaging	Standard Weight kg	Standard Volume m ³
1 l	28729	12	13.5	0.023
5 l	28730	4	21.6	0.033

WATER TEST KITS



Testing strips 3 in 1

Quick and easy testing for free Chlorine, PH and alkalinity. Contains 50 strips.

Code	Standard Packaging	Standard Weight kg	Standard Volume m ³
41925	10	0.6	0.005



Testing strips 6 in 1

Quick and easy testing for free chlorine, PH, alkalinity, bromine, hardness and Cyanide acid. Contains 50 strips.

Code	Standard Packaging	Standard Weight kg	Standard Volume m ³
45198	10	0.6	0.005



ECO comparison kit (in Blister) Total Chlorine/Bromine and pH

Includes liquid Otto & Phenol.

Code	Standard Packaging	Standard Weight kg	Standard Volume m ³
25684	40	3.3	0.022



ECO comparison kit (in Blister) Chlorine/Bromine and pH

With DPD Phenol & tablets.

Code	Standard Packaging	Standard Weight kg	Standard Volume m ³
26156	40	3.3	0.022

Oto & Phenol replacements

15 cm³ bottles of each.



Code	Standard Packaging	Standard Weight kg	Standard Volume m ³
16610	50	3.5	0.020



Comparison kit Total Chlorine/Bromine and pH

Modern and practical design. Presented in a blue plastic box with Oto and Phenol liquid.

Code	Standard Packaging	Standard Weight kg	Standard Volume m ³
25353	25	4.8	0.019



WATER TEST KITS



Comparison kit Residual Chlorine/Bromine and pH

Modern and practical design. Presented in a blue plastic box with Phenol liquid and DPD tablets.



Code	Standard Packaging	Standard Weight kg	Standard Volume m ³
25354	25	4.8	0.019



Comparison kit Residual Chlorine/Bromine and pH

Modern and practical design. Presented in a blue plastic box with Phenol and DPD tablets.



Code	Standard Packaging	Standard Weight kg	Standard Volume m ³
26155	25	4.8	0.019

Oxy-Active Liquid analyser

For measuring residual Oxy-Active Liquid in water.



Code	Standard Packaging	Standard Weight kg	Standard Volume m ³
26082	1	15.4	0.0265

Spare reagents



Oto refill	15 cm ³	28050	50	2.1	0.020
Phenol refill	15 cm ³	28051	50	2.1	0.020
Oto refill	250 cm ³	16623	20	5.5	0.010
Phenol refill	250 cm ³	16624	20	5.5	0.010
Oto and Phenol refill	15 cm ³ of each	16610	50	3.5	0.020

Code	Standard Packaging	Standard Weight kg	Standard Volume m ³
28050	50	2.1	0.020
28051	50	2.1	0.020
16623	20	5.5	0.010
16624	20	5.5	0.010
16610	50	3.5	0.020



Pooltester for free Chlorine and pH

Chlorine range: 0.1- 3.0 mg/l
pH range: 6.8 - 8.2



Chlorine range: 0.5- 6.0 mg/l
pH escala: 6.8 - 8.2

Code	Standard Packaging	Standard Weight kg	Standard Volume m ³
03253	12	2.2	0.007
01419	12	2.2	0.007

WATER TEST KITS



Pooltester for oxygen and pH



Code	Standard Packaging	Standard Weight kg	Standard Volume m ³
03182	12	2.2	0.007



Pooltester for Bromine and pH



Code	Standard Packaging	Standard Weight kg	Standard Volume m ³
16374	12	2.2	0.007



Copper testing Kit



Code	Standard Packaging	Standard Weight kg	Standard Volume m ³
03258	1	0.2	0.004

Refill in blister for Pooltester

20 tablets of DPD1 & 20 tablets of red Phenol.



Code	Standard Packaging	Standard Weight kg	Standard Volume m ³
18854	30	1.4	0.010



Reagent tablets



Phenol (pH) reagent tablets 250 units
 DPD 1 reagent tablets 250 units
 DPD 2 reagent tablets 250 units
 DPD 3 reagent tablets 250 units
 DPD 4 reagent tablets 250 units
 MPS-OUT reagent tablets 250 units
 (for determining the amount of Chlorine in the presence of Oximines)

Code	Standard Packaging	Standard Weight kg	Standard Volume m ³
01426	1	0.1	0.004
01424	1	0.1	0.004
43409	1	0.1	0.004
01425	1	0.1	0.004
43408	1	0.1	0.004
08677	1	0.1	0.004

POCKET GAUGES



Pocket dissolved solids photometer

New

A small, practical and portable photometer for easy measurement of the quality of dissolved solids and temperature of swimming pool water. Especially suitable for measuring salt (NaCl (sodium chloride)) content in water in swimming pools fitted with a salt electrolysis unit.

Code	Standard Packaging	Standard Weight kg	Standard Volume m ³
41928	1	-	-



Pocket Redox photometer

A small, practical and portable photometer for easy measurement of the potential Redox level of swimming pool water.

Code	Standard Packaging	Standard Weight kg	Standard Volume m ³
28583	1	-	-



Pocket pH Photometer

A small, practical and portable photometer for easy measurement of the PH of swimming pools.

Code	Standard Packaging	Standard Weight kg	Standard Volume m ³
43447	1	-	-



Conductivity meter

A small, practical and portable meter for easy measurement of conductivity.
Range: 0 - 19,90 mS/cm.

Code	Standard Packaging	Standard Weight kg	Standard Volume m ³
43428	1	-	-

WATER TREATMENT

CHECKKITS & PHOTOMETERS



3 in 1 Photometer

New

3 in 1 Photometer:
Chlorine range: 0,01 - 5,0 mg/l
Cyanide acid range: 2 - 200 mg/l
pH: 6,8 - 8,4

Code	Standard Packaging	Standard Weight kg	Standard Volume m ³
47189	1	1.0	0.049



6 in 1 Photometer

New

6 in 1 Photometer:
Chlorine range: 0,01 - 5,0 mg/l
Cyanide acid range: 2 - 200 mg/l
pH: 6,8 - 8,4
Calcium Hardness range: 5 - 500 mg/l
Bromine range: 0,01 - 5,0 mg/l
Alkalinity range: 10 - 500 mg/l

Code	Standard Packaging	Standard Weight kg	Standard Volume m ³
47190	1	1.0	0.049



3 in 1 Photometer PC Checkit

Chlorine range: 0.05 - 6.0 mg/l
pH range: 6.5 - 8.4
Cyanide acid range: 0 - 80.0 mg/l

Code	Standard Packaging	Standard Weight kg	Standard Volume m ³
17183	1	1.0	0.049



5 in 1 Photometer PC Checkit

Chlorine range: 0.05 - 6.0 mg/l
pH range: 6.5 - 8.4
Cyanide acid range: 0 - 80.0 mg/l
Alkalinity range: 5 - 200 mg/l
Calcium hardness range: 50 - 500 mg/l

Code	Standard Packaging	Standard Weight kg	Standard Volume m ³
22745	1	1.0	0.049

CHECKITS & PHOTOMETERS



Pool-Control-Direct

Multi-parameter Photometer that permits executing a wide range of analysis covering all the water requirements. It replaces the photometer PC-12 (08675) by offering internal and external improvements, a wide graphic display and an interface RS232. It is aimed at professionals of the sewage, potable, industrial and pool water sectors.

Code	Standard Packaging	Standard Weight kg	Standard Volume m ³
28344	1	1.9	0.023

The reagents required for analysing the following parameters are available on request:

Cyanide acid		0 – 160 ppm Cys
Total-Alkalinity		0 – 200 ppm CaCO ₃
Aluminium		0 – 0.25 ppm Al
Ammonium		0 – 1 ppm N
Biguanidine (PHMB)		0 – 50 ppm PHMB
Bromine		0 – 13 ppm Br ₂
Calcium hardness		0 – 500 ppm CaCO ₃
Total hardness		0 – 50 ppm CaCO ₃
Chlorine	LR	0 – 2 ppm Cl ₂
Chlorine	MR	0 – 4 ppm Cl ₂
Chlorine	HR	0 – 6 ppm Cl ₂
Copper		0 – 5 ppm Cu
Chlorine Dioxide		0 – 11 ppm ClO ₂
Total hardness	LR	0 – 50 ppm CaCO ₃
Total hardness	HR	0 – 500 ppm CaCO ₃
Iron (II / III)		0 – 1 ppm Fe
Active oxygen		0 – 10 ppm O ₂
Ozone		0 – 1 ppm O ₃
Hydrogen peroxide		0 – 3 ppm H ₂ O ₂
pH		6.5 – 8.4
Sulphate		0 – 100 ppm SO ₄ 2-
Urea		0 – 3 ppm CH ₄ N ₂ O

CHECKITS & PHOTOMETERS



Multi-Direct PC

Multi-parameter Photometer that permits executing a wide range of analysis covering all the water requirements. It replaces the photometer PC-22 (07938) by offering internal and external improvements, a wide graphic display and an interface RS232 for connecting to a printer and a PC.

It is aimed at professionals of the sewage, potable, industrial and pool water sectors, as well as to government and private laboratories and institutions and also to universities.

Code	Standard Packaging	Standard Weight kg	Standard Volume m ³
28667	1	1.9	0.023

The reagents required for analysing the following parameters are available on request:

Cyanide acid		0 – 160 ppm Cys	Phosphate	LR	0 – 4 ppm PO ₄
Alkalinity-m		0 – 200 ppm CaCO ₃	Phosphate	HR	0 – 100 ppm PO ₄
Alkalinity-p		0 – 500 ppm CaCO ₃	Iron (II / III)	LR	0 – 1 ppm Fe
Aluminium		0 – 0.3 ppm Al	Iron (II / III)	HR	0 – 10 ppm Fe
Ammonium		0 – 1 ppm N	Manganese		0 – 4 ppm Mn
Bromine		0 – 13 ppm Br ₂	Molybdenum		0 – 30 ppm MoO ₄
Calcium hardness		0 – 500 ppm CaCO ₃	Nitrate		0 – 14 ppm NO ₃ -
Chlorine	LR	0 – 2 ppm Cl ₂	Nitrites		0 – 0.5 ppm NO ₂ -
Chlorine	LR	0 – 4 ppm Cl ₂	Total nitrogen		0 – 14 ppm N
Chlorine	LR	0 – 6 ppm Cl ₂	Ozone	LR	0 – 0.5 ppm O ₃
Chlorine	HR	0 – 200 ppm Cl ₂	Ozone	HR	0 – 1 ppm O ₃
Chloride	LR	0 – 25 ppm Cl-	Hydrogen peroxide	LR	0 – 3 ppm H ₂ O ₂
Chloride	HR	0 – 250 ppm Cl-	Hydrogen peroxide	HR	0 – 30 ppm H ₂ O ₂
COD	LR	0 – 150 ppm O ₂	pH		6.5 – 8.4
COD	MR	0 – 1500 ppm O ₂	Potassium		0 – 12 ppm K+
COD	HR	0 – 15000 ppm O ₂	Silica		0 – 4 ppm SiO ₂
Copper		0 – 5 ppm Cu	Sulphate		0 – 200 ppm SO ₄ 2-
Chlorine Dioxide		0 – 11 ppm ClO ₂	Sulphide		0 – 0.5 ppm S 2-
DEHA		0 – 0.5 ppm DEHA	Sulphites		0 – 10 ppm SO ₃ -
Total hardness	LR	0 – 50 ppm CaCO ₃	Urea	LR	0 – 3 ppm CH ₄ N ₂ O
Total hardness	HR	0 – 500 ppm CaCO ₃	Urea	HR	0 – 6 ppm CH ₄ N ₂ O
Flouride		0 – 2 ppm F-	Zinc		0 – 1 ppm Zn



Code 03009



Photometer reagent

	Code	Standard Packaging	Standard Weight kg	Standard Volume m ³	
Phenol (pH) reagent tablets	250 units	03019	1	0.1	0.004
DPD 1 reagent tablets	250 units	03009	1	0.1	0.004
DPD 3 reagent tablets	250 units	03014	1	0.1	0.004
MPS-OUT reagent tablets	250 units	08679	1	0.1	0.004
(for determining the amount of Chlorine in the presence of Oximines)					
Isocyanuric acid reagent tablets	250 units	08345	1	0.1	0.004
Other reagents		Enquire			

KIT SPA MOMENT

Kit Spa Moment



A spa requires regular maintenance so that the water stays crystalline and hygienically pure. In this way, not only is the bathing pleasure greater, but the installation is also protected from possible deterioration. AstralPool proposes a new kind of kit for your spa maintenance, the Spa Moment Kit, which not only cares for the water, but also for your senses and skin.

The Spa Moment Kit includes the following elements:

Ph Adjustment: The ph factor is very important with regards to the disinfectant working properly as well as avoiding corrosion of the metal parts, or incrustations on the installation.

Water disinfection: Spa water must be kept disinfected as the high water temperatures as well as the organic residue encourage the growth of bacteria and algae. Bromine is the appropriate disinfectant for spa water as it doesn't lose its effectiveness, even at high temperatures.

Anti-foaming-spa: This makes it possible to eliminate the foam due to the water agitation and the oils present in the water.

The exfoliant: Spa Regen is a natural papaya-based exfoliant for the skin, an enzyme which is extracted from the papaya fruit. It removes dead surface cells from the skin, and accelerates the growth of new skin cells.

Spa Aromatherapy – Wellma Delight: Wellma offers you 6 aromas for 3 different states of being: aromas with an anti-stress effect, a sensual effect and a revitalizing effect.

Code	Standard Packaging	Standard Weight kg	Standard Volume m ³
40883	1	-	-



DOSAGE, MEASUREMENT, REGULATION AND AUTOMATION



- 250 • Dosing equipment
- 253 • AstralPool Signature Salt electrolysis & pH control
- 254 • Salt electrolysis & pH control
- 259 • Salt electrolysis for public pools
- 262 • UV automatic disinfection
- 265 • Continous flocculation system
- 266 • Dosing pumps
- 272 • Automatic regulation and control equipment
- 275 • Electrode cleaning and adjustement
- 276 • Water meters
- 277 • Control systems
- 279 • Domoticpool
- 280 • Thermometers

DOSING EQUIPMENT



Shark floating dispenser

Allows easy dosage of pool chemicals. Made of high impact polystyrene. It has a capacity for 5 tablets of 200 grs.

Code	Standard Packaging	Standard Weight kg	Standard Volume m ³
36620	1	-	-



Floating dispenser

Original floating dispenser ideal for residential and above ground pools. Adjustable chlorine supply. It also allows easy control of chemical product remaining in the dispenser, thanks to an original floating signal system. For a quantity of 1 kg in tablets.

Code	Standard Packaging	Standard Weight kg	Standard Volume m ³
33813	1	-	-



MINI floating-dispenser for 20 g tablets

Code	Standard Packaging	Standard Weight kg	Standard Volume m ³
11733	1	-	-



Dossi-5 in-line and Dossi-10 in-line Bromine feeders

Bromine dispenser. Manufactured from unalterable plastic materials (ABS). With regulation valve, manual purge, Venturi automatic depression purge, and opening key. For pools up to 45 m³ with the Dossi-5 dispenser and up to 90 m³ Dossi-10 dispenser. Connections 1 1/2". Ø 200 mm.

Code	Standard Packaging	Standard Weight kg	Standard Volume m ³
21438	1	3.7	0.031
21439	1	4.8	0.049

Dossi-5 in-line. Height 486 mm.
Approximate capacity: 5 kg of tablets
Dossi-10 in-line. Height 725 mm.
Approximate capacity: 10 kg of tablets

DOSING EQUIPMENT

Chlorine and Bromine Feeder Dossi-5 and Dossi-10 off-line



Bromine and Chlorine feeder. Manufactured from unalterable plastic materials (ABS). Approximate capacity: 5 kg of tablets for Dossi-5 and 10 kg for Dossi-10. Supplied with two valves in order to stop the water flow. Height 486 mm and Ø 200 mm. Connections Ø 20 mm.

	Code	Standard Packaging	Standard Weight kg	Standard Volume m ³
Dossi-5 off-line For pools up to 100 m ³	01413	1	3.7	0.031
Dossi-10 off-line For pools up to 200 m ³	43998	1	4.86	0.048

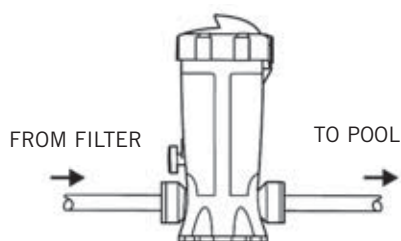
Chlorine and Bromine Feeder 3.5 kg Dossi-3



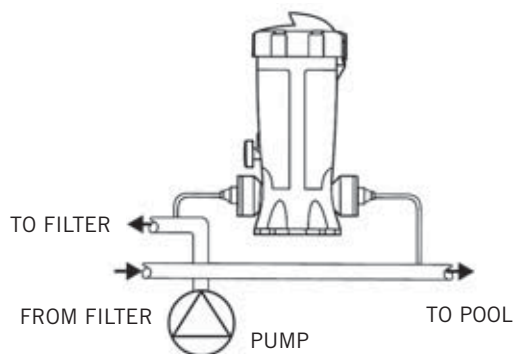
Chlorine and Bromine feeder. Manufactured from unalterable plastic materials (ABS). Approximate capacity: 3.5 kg of tablets. Lid closing with double safety system. Easy to operate regulation valves. For pools up to 60 m³ with Chlorine and up to 30 m³ with Bromine. Height: 405 mm.

	Code	Standard Packaging	Standard Weight kg	Standard Volume m ³
Dossi-3, in-line For direct connection to pipework With 1½" connectors	24429	1	1.81	0.03
Dossi-3 off-line For by-pass connection with flexible tube	24430	1	1.90	0.031

Code 24429 IN-LINE

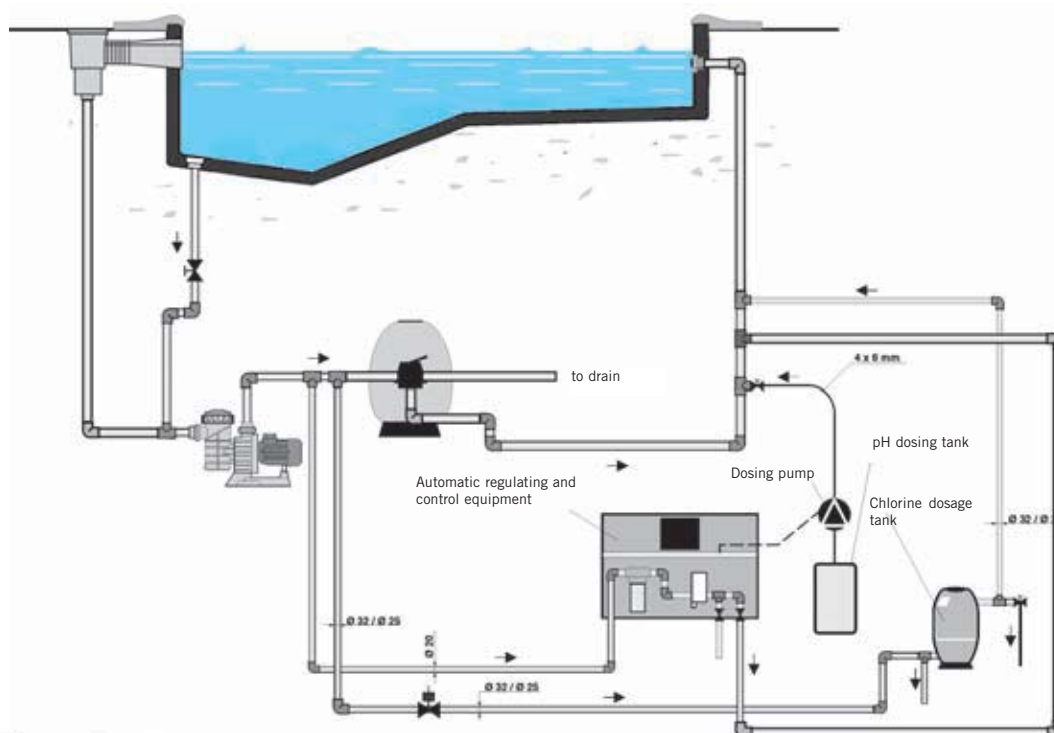


Code 24430 OFF-LINE



DOSING EQUIPMENT

INSTALLATION DIAGRAM OF CHLORINE/BROMINE DOSING UNITS AND AUTOMATIC REGULATING AND CONTROL EQUIPMENT



Compact dosage tank

Trichlor and Bromine tablet dosage unit with automatic safety valve. Made out of fibreglass and polyester.

	Code	Standard Packaging	Standard Weight kg	Standard Volume m ³
Compact dosage tank 40 l Trichlor (for pools from 200 to 500 m ³) Bromine (for pools from 150 to 300 m ³)	16631	1	14.0	0.128
Compact dosage tank 60 l Trichlor (for pools from 500 to 1000 m ³) Bromine (for pools from 300 to 450 m ³)	16632	1	18.0	0.185



Safety valve kit

PVC safety valve, with a spring and metallic pull ring. Opening pressure 2.5 - 3 bar (Kg/cm²).

	Code	Standard Packaging	Standard Weight kg	Standard Volume m ³
For 40 l dosage tank	16633	1	0.4	0.002
For 60 l dosage tank	16634	1	0.4	0.002



Flowmeter kit

Plastic made flow meter for 100 to 1,000 l/h flow for 40 l dosing tank, and a 250 to 2,500 l/h flow for 60 l dosing tank both installed on a PE panel. Strainer, non-return valve and PVC ball valve included. Used to help regulation for 40 l and 60 l feeders.

	Code	Standard Packaging	Standard Weight kg	Standard Volume m ³
For 40 l tank from 100 to 1000 l/h	16635	1	3.0	0.046
For 60 l tank from 250 to 2500 l/h	16636	1	3.3	0.050

AstralPool has incorporated a new line of equipment into its current salt chlorinators range for residential pools, which has more advanced technological features.

GENERAL FEATURES

	SMART			SMART +			SMART +PH			ELITE		
Model	30	60	100	60	100	160	60	100	160	60	100	160
Code	42347	42348	42349	42350	42351	42352	52569	52570	52571	42353	42354	42355
Consumption (AC)	6 A	12 A	24 A	12 A	24 A	32 A	12 A	24 A	32 A	12 A	24 A	32 A
Production g/h	5-6	10-12	20-24	10-12	20-24	25-32	10-12	20-24	25-32	10-12	20-24	25-32
m³ warm water	25	60	120	60	120	150	60	120	150	60	120	150
m³ hot water	25	40	100	60	100	120	60	100	120	60	100	120
Fuse (5x20 mm)	1A	2A	3.15A	2A	3.15A	4A	2A	3.15A	4A	2A	3.15A	4A
Minimum flow rate	1 m ³ /h	2 m ³ /h	4 m ³ /h	2 m ³ /h	4 m ³ /h	6 m ³ /h	2 m ³ /h	4 m ³ /h	6 m ³ /h	2 m ³ /h	4 m ³ /h	6 m ³ /h
Electrodes	3	5	7	5	7	7	5	5	5	5	7	7

Estimation criteria based on a filtration time of 6 to 10 hours.

- Twin cell system prevents the formation of incrustations on the chlorinator cell and improves energy efficiency.
- High quality electrodes.
- Salinity alarm with LED indicators.

Elite



This product is part of the AP Signature range.
 A bubble detector, flow switch and compact probe holder as standard.
 High quality electrodes with a 15,000 hour useful life under laboratory conditions and from 4,000 to 7,000 hours under normal conditions.
 The Salt levels are controlled through a powerful system of salinity alarms that have different indicators for high and low salt levels.
 An automatic system that prevents the formation of deposits in the electrolysis cell - user programmable from the control panel.
 Production control 0 - 100% (11 current levels).
 Complete and automatic control over water treatment, when pH and chlorine control are added to the benefits of the salt chlorinator.
 Dosing pumps not included.



Elite 60
 Elite 100
 Elite 160

Code	Standard Packaging	Standard Weight kg	Standard Volume m ³
------	--------------------	--------------------	--------------------------------

42353	1	5	0.046
42354	1	7	0.046
42355	1	9	0.046



SALT ELECTROLYSIS & pH CONTROL

Smart



Basic equipment in the range with the possibility of adapting two external controls: Redox/cover detector control.

Mass-produced equipment with a bubble detector.

Electrodes have a lifetime of 10,000 hours under laboratory conditions, whilst under normal conditions their expected lifetime is 3,000-5,000 hours.

Salinity alarm: thanks to a shared LED it shows when there is too much or not enough salt in the water.

Polarity inversion regulation current. It has an automatic system that prevents the formation of scale on the electrolysis cells – programmable 2/3 hours.

Production control. Five production control levels from 0 to 100%.

Recommended: control pH levels using 36002-36004 machines.

	Code	Standard Packaging	Standard Weight kg	Standard Volume m ³
Smart 30	42347	1	3	0.046
Smart 60	42348	1	5	0.046
Smart 100	42349	1	7	0.046

Smart +



Middle-of-the-range equipment. External controls can be adapted: redox, cover and flow switch included.

Mass-produced equipment with a bubble detector, flow detector and a 50-1/2 connection collar.

Equipped with high quality electrodes with a lifetime of 15,000 hours under laboratory conditions, and 4,000-7,000 hours under normal conditions.

Salinity alarm: has different LED indicators for HIGH and LOW salinity. It shows the salt levels needed.

Polarity inversion regulation current. It has an automatic system that prevents the formation of scale on the electrolysis cells – can be programmed by users from the control panel.

Production control. Eleven production control levels. From 0 to 100%.

Recommended: control pH levels using 36002-36004 machines.

	Code	Standard Packaging	Standard Weight kg	Standard Volume m ³
Smart+ 60	42350	1	5	0.046
Smart+ 100	42351	1	7	0.046
Smart+ 160	42352	1	9	0.046

Smart + pH

New



Middle-of-the-range equipment. External controls can be adapted: redox, cover and flow switch included.

Bubble and flow detector, compact electrode holder for pH sensor, injection point of pH minus and flowmeter.

Equipped with high quality electrodes with a lifetime of 15,000 hours under laboratory conditions, and 4,000-7,000 hours under normal conditions.

Salinity alarm: has different LED indicators for HIGH and LOW salinity. It shows the salt levels needed. Polarity inversion regulation current. It has an automatic system that prevents the formation of scale on the electrolysis cells – can be programmed by users from the control panel.

Production control. Eleven production control levels. From 0 to 100%.

Automatic control of pH included. pH dosing pump not included.

	Code	Standard Packaging	Standard Weight kg	Standard Volume m ³
Smart+ pH 60	52569	1	-	-
Smart+ pH 100	52570	1	-	-
Smart+ pH 160	52571	1	-	-



SALT ELECTROLYSIS & pH CONTROL



Sel Clear

New

Reverse polarity self cleaning chlorinator. Easy installation and use. Meant for pools up to 95 m³. Provides a good quality/price ratio. Optional flow switch. (available on request). Assembly on panel NOT included. Meant for pool up to 95 m³

		Code	Standard Packaging	Standard Weight kg	Standard Volume m ³
	Chlorine production				
Up to 30 m ³	9 g/h	54041	1	3.50	0.025
Up to 55 m ³	13 g/h	54042	1	3.65	0.025
Up to 95 m ³	19 g/h	54043	1	3.70	0.025



Sel Pure

New

Reverse polarity self cleaning chlorinator. Salt concentration: 5 g/l. Includes: Flow switch, Pool Terre and salt analysis strips. Assembly on panel NOT included.

		Code	Standard Packaging	Standard Weight kg	Standard Volume m ³
	Chlorine production				
Up to 60 m ³	16 g/h	54044	1	6.10	0.025
Up to 100 m ³	25 g/h	54045	1	6.20	0.025
Up to 160 m ³	30 g/h	54046	1	6.30	0.025



pH Pure

New

pH automatic control system. Includes: proportional dosing pump; 1 electrode; 1 reagent kit; 1 installation Kit. Automatic calibration. Assembly on panel NOT included.

		Code	Standard Packaging	Standard Weight kg	Standard Volume m ³
Up to 200 m ³		54047	1	4.4	0.025



Salinity analysis Kit

Salinity analysis kit for checking the salt level. A regular control of the salinity level is necessary according to the renovation of the water.

		Code	Standard Packaging	Standard Weight kg	Standard Volume m ³
		07937	1	0.8	0.001

DOSAGE, MEASUREMENT, REGULATION...

SALT ELECTROLYSIS & pH CONTROL

	SELWATCH	SELWATCH +	SELWATCH PLATINUM
Código	54048	54049	54050
Maximum volume of the pool		100m ³	100m ³
Polarity inversion		•	•
7 blades electrodes		•	•
Flow detector		•	•
Autotest & configuration menu		•	•
Chlorine regulation	•	•	•
Chlorine colorimetric analysis	•	•	•
Chlorine reagent	•	•	•
Internal electrolyser		•	•
Compatible with electrolysis of salt (not included)	•		
pH reagent			•
pH colorimetric analysis			•
pH regulation and dosing			•



Selwatch

New

Selwatch is the first regulator system that controls an electrolysis or dosing pump. Analyzes, adjusts and automatically maintains the proper chlorine level. Aimed at all pools, private or group, treated with chlorine. It also controls all the electrolysis, valves and dosing pump of the market. Through automation of water treatment, Selwatch ensures a perfectly water treated and easy maintenance. It works according to the needs of the pool. It also allows to preserve the environment of the pool.

	Code	Standard Packaging	Standard Weight kg	Standard Volume m ³
Selwatch	54048	1	5.5	0.025



Selwatch +

New

Selwatch + is a regulator of the rate of chlorine by colorimetry. Works by self-learning the parameters of the pool. Compact, meets in the same box Selwatch high-end electrolysis and regulator system. Selwatch + also has an earth device and a flow detector. Its titanium electrodes are self-cleaning glass and has a translucent electrolysis integrated instrument holder.

	Code	Standard Packaging	Standard Weight kg	Standard Volume m ³
Selwatch +	54049	1	11.2	0.095



Selwatch Platinum

New

Selwatch Platinum is the flagship model. It is the freedom of the user. It deals with the quality of your water even during your absence. It is a regulator of the rate of chlorine colorimetric, non-toxic reagent patented electrolysis up to 100 m³ and colorimetric pH regulator without probe. This "3 in 1" automatically regulates the chlorine and pH of your pool, by colorimetry, as well as control and automatic correction of pH (using pH- or pH +) through Selwatch. It has an adjustable setpoint and a safe injection duration.

	Code	Standard Packaging	Standard Weight kg	Standard Volume m ³
Selwatch Platinum	54050	1	12.2	0.095

SALT ELECTROLYSIS & pH CONTROL



Selwatch electrodes

New

Electrodes for Selwatch, Sel Clear and Sel Pure.

	Code	Standard Packaging	Standard Weight kg	Standard Volume m ³
Sel Clear Electrode 30: up to 30 m ³	54051	1	0.35	0.0055
Sel Clear Electrode 55: up to 55 m ³	54052	1	0.44	0.0055
Sel Clear Electrode 95: up to 95 m ³	54053*	1	0.50	0.0055
Sel Pure Electrode 60: up to 60 m ³	54054	1	0.52	0.0055
Sel Pure Electrode 100: up to 100 m ³	54055	1	0.62	0.0055
Sel Pure Electrode 160: up to 160 m ³	54056	1	0.72	0.0055

* Selwatch electrode

Selwatch reactives

New

Reactives for the Selwatch range per liter.

	Code	Standard Packaging	Standard Weight kg	Standard Volume m ³
Chlorine reactive for Selwatch	300290	1	-	-
pH reactive for Selwatch	300291	1	-	-



VX Salt Chlorinator

New VX reverse polarity self cleaning salt chlorinators. 63 mm water conn. on cell housing, sophisticated electronic control over reversing times extends cell life. Large LCD user interface, Spa mode output, low salt 4000 ppm. Optional: Timeclock or non clock models.



	Code	Standard Packaging	Standard Weight kg	Standard Volume m ³
Up to 96 m³				
Chlorine Output				
25 g/h				
VX 7S – no time clock	41346	1	8.33	0.027
VX 7T – time clock	41347	1	8.35	0.027
Up to 120 m³				
30 g/h				
VX 9S – no time clock	41348	1	8.97	0.027
VX 9T – time clock	41349	1	8.99	0.027
VX 7TL T/C & Light Transformer	41354	1	-	0.027
Up to 160 m³				
42 g/h				
VX 11S – no time clock	41350	1	9.00	0.027
VX 11T – time clock	41351	1	9.11	0.027
Up to 200 m³				
50 g/h				
VX 13S – no time clock	41352	1	9.90	0.027
VX 13T – time clock	41353	1	9.96	0.027
VX 9TL T/C & Light Transformer	41355	1	-	0.027

DOSAGE, MEASUREMENT, REGULATION ...

SALT ELECTROLYSIS & pH CONTROL



Control Basic

Small in size, it was designed to prevent siphoning. The product requires little maintenance and is easy to install and protected from the spraying of chemical products. The device automatically measures and checks pH/Redox. Use with Astral Sel and Astral Sel Basic is recommended. **Supplied without sensors or calibration solutions. Installation kit included.**

- Plastic container with IP-55 protection
- Backlit LCD display
- Self-calibration of electrodes
- Quality control of electrodes
- Dosing pause during alarms and notification by a blinking LED
- Proportional dosing
- Adjustable set point

Flow rate:	1.5 l/h or 5 l/h
Back pressure:	1.5 bar
pH measurement interval:	0.00...14,00pH
Redox measurement interval:	-999...+999 mV

	Code	Standard Packaging	Standard Weight kg	Standard Volume m ³
Control Basic 1.5 l/h	36002	1	2.2	0.01
Control Basic 5.0 l/h	36003	1	2.2	0.01
pH electrode with calibration solutions	36004	1	0.4	0.001
Redox electrode with calibration solutions	36005	1	0.3	0.001



Redox Basic EV

Measuring and automatic control device of Redox levels in the pool and therefore of free Chlorine. Recommended to use with "Astral Sel" and "Astral Sel Basic" salt chlorinators for controlling generated Chlorine. The solenoid valve opens and closes the dosing units according to the readings.

Supplied without sensors or calibration solutions. Installation kit included

Redox measurement interval: -999...+999 mV

	Code	Standard Packaging	Standard Weight kg	Standard Volume m ³
Redox Basic EV	36006	1	2.1	0.01
Redox electrode with calibration solutions	36005	1	0.3	0.001

Installation kit				
Control Basic	•	•	•	•
Redox Basic EV			•	•

Sensors				
pH sensor with calibration solutions (Code: 36004)	•		•	
Redox sensor with calibration solutions (Code: 36005)		•		•

SALT ELECTROLYSIS FOR PUBLIC POOLS



Salt Electrolysis for public pools

Salt water chlorinators for commercial pools are becoming popular because they are efficient, practical, safe and well priced. Our wide range of industrial electrolysis systems covers self-cleaning equipment of up to 600 grams/hour of Chlorine, which makes it possible to use saline electrolysis to treat the water at any public use facility.

Main advantages:

Safety: There is no need to store, handle or dose any chemical products and therefore it is a much safer system. The raw material stored is common salt.

Savings: The introduction of saline electrolysis systems can bring net savings in operating costs of around 50-60%, with respect to traditional systems
Peristaltic pump not included.

	EASY SALT	PRO-CHLORE SALT	LOW SALT PLUS
Self-cleaning electrodes	7000 - 10000 h	8000 - 12000 h	6000 - 8000 h
Salinity range	3-12 g/l (recom. 4-6 g/l)	3-12 g/l (recom. 4-6 g/l)	0.5-5 g/l (recom. 1.5-2 g/l)
Production g/h	70 - 180	50 - 600	50 - 300



Pro-Chlore Salt

Our Pro-Chlore Salt range include EX electrodes that provide the highest durability in systems self-cleaning.

	Code	Standard Packaging	Standard Weight kg	Standard Volume m ³
A-50EX 50 g/h Self-cleaning	35252	1	30	0.026
A-80EX 80 g/h Self-cleaning	35253	1	40	0.131
A-120EX 120 g/h Self-cleaning	35254	1	55	0.131
A-180EX 180 g/h Self-cleaning	35255	1	70	0.131
A-300EX 300 g/h Self-cleaning	35256	1	85	0.131
A-600EX 600 g/h Self-cleaning	35257	1	120	0.178

SPECIAL FOR SALT WATER

A-50EX Self-cleaning 50 g/h	35252-AM	1	30	0.026
A-80EX Self-cleaning 80 g/h	35253-AM	1	40	0.131
A-120EX Self-cleaning 120 g/h	35254-AM	1	55	0.131
A-180EX Self-cleaning 180 g/h	35255-AM	1	70	0.131
A-300EX Self-cleaning 300 g/h	35256-AM	1	85	0.131
A-600EX Self-cleaning 600 g/h	35257-AM	1	120	0.178

New

Valid for Pro-Chlore Salt and Eco Salt:

	A-50	A-80	A-120	A-180	A-300	A-600
Input (ac)	230 V / 50 - 60 Hz			380 V / 50 - 60 Hz		
	2.4 A	3.9 A	5.8 A	3.3 A	5.5 A	12 A
Cable:	H017 V/K					
Input (ac)	3 x 1.0 mm ²	3 x 1.0 mm ²	3 x 2.5 mm ²	5 x 1.5 mm ²	5 x 4 mm ²	5 x 4.0 mm ²
Output (dc)	2 x 10 mm ²	2 x 25 mm ²	2 x 35 mm ²	2 x 70 mm ²	2 x 120 mm ²	3 x 240 mm ²
Pipe connections:	Female thread 1 ¹ / ₂ "		Flanges D63 mm		Flanges D90 mm	
Fuse	5.0 A (6 x 32 mm)	7.0 A (6 x 32 mm)	10 A (6 x 32 mm)	QM K6	QM K10	QM K20
Output	9 V / 25 A	10 V / 40 A	10 V / 65A	10 V / 90 A	10 V / 150 A	10 V / 300 A
Cooling	Natural Ventilador					
Minimum flow	9 m ³ /h	14 m ³ /h	20 m ³ /h	30 m ³ /h	50 m ³ /h	90 m ³ /h
Electrodes	8	12	8	12	16	2 x 16

SALT ELECTROLYSIS FOR PUBLIC POOLS



Pro-Chlore Salt Plus with pH/ORP (redox) control

The Pro-Chlore Salt Plus incorporates a system of control and regulation of the values of ORP (Redox) and pH that allow better control and provide an excellent water quality at all times.



	Code	Standard Packaging	Standard Weight kg	Standard Volume m ³
PLUS A-50+ 50 g/h Self-cleaning	35258	1	30	0.026
PLUS A-80+ 80 g/h Self-cleaning	35259	1	40	0.088
PLUS A-120+ 100 g/h Self-cleaning	35260	1	55	0.088
PLUS A-180+ 180 g/h Self-cleaning	35261	1	70	0.088
PLUS A-300+ 300 g/h Self-cleaning	35262	1	85	0.088
PLUS A-600+ 600 g/h Self-cleaning	35263	1	120	0.178

SPECIAL FOR SALT WATER

PLUS A-50+ Self-cleaning 50 g/h	35258-AM	1	30	0.026
PLUS A-80+ Self-cleaning 80 g/h	35259-AM	1	40	0.088
PLUS A-120+ Self-cleaning 120 g/h	35260-AM	1	55	0.088
PLUS A-180+ Self-cleaning 180 g/h	35261-AM	1	70	0.088
PLUS A-300+ Self-cleaning 300 g/h	35262-AM	1	85	0.088
PLUS A-600+ Self-cleaning 600 g/h	35263-AM	1	120	0.178

New



Pro-Chlore Salt PPM plus

The Pro-Chlore Salt PPM Plus incorporates a system of control and regulation of securities Chlorine (ppm) and pH.



	Code	Standard Packaging	Standard Weight kg	Standard Volume m ³
PPM PLUS A-50+ 50 g/h Self-cleaning pH/Cl	45836	1	30	0.026
PPM PLUS A-80+ 80 g/h Self-cleaning pH/Cl	45837	1	40	0.088
PPM PLUS A-120+ 120 g/h Self-cleaning pH/Cl	45838	1	55	0.088
PPM PLUS A-180+ 180 g/h Self-cleaning pH/Cl	45839	1	70	0.088
PPM PLUS A-300+ 300 g/h Self-cleaning pH/Cl	45840	1	85	0.088
PPM PLUS A-600+ 600 g/h Self-cleaning pH/Cl	45841	1	120	0.178

SPECIAL FOR SALT WATER

PPM PLUS A-50+ Self-cleaning 50 g/h	45836-AM	1	30	0,026
PPM PLUS A-80+ Self-cleaning 80 g/h	45837-AM	1	40	0,088
PPM PLUS A-120+ Self-cleaning 120 g/h	45838-AM	1	55	0,088
PPM PLUS A-180+ Self-cleaning 180 g/h	45839-AM	1	70	0,088
PPM PLUS A-300+ Self-cleaning 300 g/h	45840-AM	1	85	0,088
PPM PLUS A-600+ Self-cleaning 600 g/h	45841-AM	1	120	0,178

New



Valid for Pro-Chlore Salt, Easy Salt and Eco Salt Plus

	pH	ORP	Free chlorine
Included elements	Sensor H-035 / Calibration solution pH (7.0/4.0)	Sensor RX-02 / Calibration solution ORP (470 mV)	Sensor CL0102
	Electrode holder with inductive flow detector, flow control and pre-filter. Electrode holder (2x) PE 1/2"		
Dimensions	600 x 240 x 120 mm (panel)		
pH control output	230 V / 50-60 Hz / 0.5 A max., ON/OFF		
Range	0.0 - 9.9	0 - 999 mV	0.0 - 5.0 ppm
Control range	7.0 - 7.8	650 - 850 mV	0.0 - 5.0 ppm
Precision	0.1 pH	1 mV	0.1 ppm
Calibration	(pH) Automatic, two modes Fast: one point calibration Standard: two point calibration	Automatic: one point calibration	FREE CHLORINE: automatic (one point with external DPD calibrator, not supplied)

SALT ELECTROLYSIS FOR PUBLIC POOLS



Easy Salt

New

Self-cleaning electrolysis system, for residential and public pool applications use up to 180 g chlorine / hour. Easy Salt is a compact and cost competitive with remote control panel with integrated cable connection standard.



	Code	Standard Packaging	Standard Weight kg	Standard Volume m ³
Easy Salt 70	53799	1	-	-
Easy Salt 90	53801	1	-	-
Easy Salt 180	53803	1	-	-
Easy Salt 70+	53800	1	-	-
Easy Salt 90+	53802	1	-	-
Easy Salt 180+	53804	1	-	-



Eco Salt Plus

New

Eco Salt Plus products have a sustainable cycle through the removal of chloramines, running through 2 grams of salt per liter and no chemical treatment. Self-cleaning commercial salt electrolysis system for use in public pools use up to 300 gr. chlorine / hour. TWIN-CELL Cell high pressure SYSTEM equipped with electrodes EX quality. Extending control functions using optional extensions.



	Code	Standard Packaging	Standard Weight kg	Standard Volume m ³
Eco Salt Plus 50EX	53810	1	-	-
Eco Salt Plus 80EX	53811	1	-	-
Eco Salt Plus 120EX	53812	1	-	-
Eco Salt Plus 180EX	53813	1	-	-
Eco Salt Plus 300EX	53814	1	-	-
Eco Salt Plus 50+ (pH/ORP)	53815	1	-	-
Eco Salt Plus 80+ (pH/ORP)	53816	1	-	-
Eco Salt Plus 120+ (pH/ORP)	53817	1	-	-
Eco Salt Plus 180+ (pH/ORP)	53818	1	-	-
Eco Salt Plus 300+ (pH/ORP)	53819	1	-	-
Eco Salt Plus 50+ PPM (pH/cloro)	53820	1	-	-
Eco Salt Plus 80+ PPM (pH/cloro)	53821	1	-	-
Eco Salt Plus 120+ PPM (pH/cloro)	53822	1	-	-
Eco Salt Plus 180+ PPM (pH/cloro)	53823	1	-	-
Eco Salt Plus 300+ PPM (pH/cloro)	53824	1	-	-

Pool Terre

Earth connection for any electrolysis equipment with clamp saddle included.



	Code	Standard Packaging	Standard Weight kg	Standard Volume m ³
For hose Ø 50 mm	25894	1	0.6	0.001
For hose Ø 63 mm	25895	1	0.6	0.001

Other sizes upon special order.

DOSAGE, MEASUREMENT, REGULATION...

UV AUTOMATIC DISINFECTION



AstralPool presents Heliox UV, a new automatic UVC light system, which guarantees double disinfection through a significant reduction in the amount of chloramines (bound chlorine) along with the neutralisation of bacteria, viruses and other microorganisms present in water by impeding their reproduction. The range comprises the Heliox UV LP model for private pools, the Heliox UV MP for public pools.

The advantages of UV-C technology:

UV ray treatment systems are completely automatic, with very low maintenance and running costs. They also have considerable advantages over other systems:

- 100% of pool water is treated.
- The disinfected water is free of unpleasant smells and does not irritate the eyes, thanks to a drastic reduction in the amount of chloramines.
- They save money as fewer chemical products are required.
- They are environmentally friendly because:
 - Less fresh water is needed (daily water renewal is reduced).
 - Fewer waste by-products are formed, resulting in a reduction in subsequent water treatment.
 - The UV-C equipment does not add any chemical products to the water.

Heliox-UV operation

UV-C disinfection is a local treatment (UV chamber), which takes place as the water in the pool circulates through the chamber that contains the UV-C lamps. The accurate delivery of radiation (W UV-C) and residence time in the system ensure the effective neutralisation of 99.9% of microorganisms, as well as the reduction of chloramines to safe levels (<0.6 ppm).



Heliox UV MP for public pools

New

Heliox UV MP (medium pressure) systems are designed to be used in public pools. These lamps operate over a wide spectrum to cover the whole of the UV region (see graph), which makes possible the effective eradication of chloramines (<0.6 ppm) in the pool water and its efficient disinfection due to the neutralisation of microorganisms (99.9%), including those resistant to chlorine treatment.

New features

- More compact design (UV reactor in AISI-316).
- Adjustable to between 70 and 100% of rated power, in 1% increments, by means of a self-cooling electronic ballast.
- Fluidra technology (design and manufacture).
- Calibrated UV-C radiation sensor (mW/cm²). Precise dose control. Instant power adjustment to process conditions. Saves energy and extends the lamp's lifetime.
- Advanced colour touch screen. System menu for browsing process parameters and log files.
- Advanced versions: MODBUS communication and embedded web.

The control architecture used in Heliox UV PM systems has a number of features that make them reliable, energy-efficient and scalable to the highest possible level.

The Heliox UV MP systems use two parameters for adjusting the power setting: average radiation and flow. All models have a rated radiation profile that ensures a dose of 60mJ/cm². If the flow is lower than the rated value, the same will apply to the required radiation level and the system reduces the power input, thus optimising power consumption and the lamp's lifetime. Likewise, if radiation drops due to losses caused by cloudy water, scaling or lamp emission efficiency, the system will adjust the power so that the right dose is supplied.

	Code	Standard Packaging	Standard Weight kg	Standard Volume m ³
Heliox UV MP 50	52200	1	-	-
Heliox UV MP 80	52201	1	-	-
Heliox UV MP 140	52202	1	-	-
Heliox UV MP 300	52203	1	-	-
Heliox UV MP 450	52204	1	-	-
Heliox UV MP 675	52205	1	-	-

Code	Model	Flow (60 mJ/cm ²)	N° Lamps	Rated / UV-C power (KW / W)	Input voltage	UV-C lamps Total power (W)	Inlet/Outlet flanges	Total height (mm)	Ø reactor
52200	UV MP 50	50 m ³ /h	1	0.7 kW / 105 W	230 VAC / 50-60 Hz	90	DIN 150	834	273
52201	UV MP 80	80 m ³ /h	1	1.0 kW / 150 W		150	DIN 150	834	273
52202	UV MP 140	140 m ³ /h	1	3.0 kW / 450 W		150	DIN 150	834	273
52203	UV MP 300	300 m ³ /h	1	3.0 kW / 450 W	380 VAC / 50-60 Hz	450	DIN 250	1012	356
52204	UV MP 450	450 m ³ /h	2	6.0 kW / 900 W		1350	DIN 250	1138	356
52205	UV MP 675	675 m ³ /h	3	9.0 kW / 1350 W		1800	DIN 300	1218	356

For sea water application, contact with Fluidra Export

UV AUTOMATIC DISINFECTION



Clair-UV "LP" ultraviolet system for commercial pools

Body in S.S. AISI 316L - Amalgame Lamps at low pressure. Dosage 30 mJ. Maximum temperature 60°C. maximum pressure 10 bar. Electrical control box: IP-54 protection. Ideal to eliminate microorganisms.



Code	Model Clair-UV LP	Flow rate Q (m³/h)	N° Lamps	Consumpt. lamps	Total lamp power UV-C (W)	DN flange inlet/outlet	Total Height H (mm)	Ø C of reactor
35968	IAM1090/120	12,5	1	120	40	65	973	90
35969	IAM1150/120	23	1	120	40	80	945	150
35970	IAM2205/120	56	2	120	80	100	977	205
35971	IAM3273/120	115	3	120	120	150	985	273
35974	IAM1150/300	44	1	300	100	80	1120	150
35975	IAM2273/300	158	2	300	200	150	1165	273
35976	IAM3273/300	237	3	300	300	150	1165	273
35977	IAM4273/300	305	4	300	400	200	1165	273
35978	IAM5273/300	365	5	300	500	200	1162	273

	Code	Standard Packaging	Standard Weight kg	Standard Volume m³
IAM1090/120	35968	1	5.0	0.005
IAM1150/120	35969	1	14.5	0.0145
IAM2205/120	35970	1	26.0	0.026
IAM3273/120	35971	1	46.0	0.046
IAM1150/300	35974	1	18.0	0.018
IAM2273/300	35975	1	56.5	0.0565
IAM3273/300	35976	1	56.5	0.0565
IAM4273/300	35977	1	56.5	0.0565
IAM5273/300	35978	1	56.5	0.0565

UV AUTOMATIC DISINFECTION

AstraHeliox UV LP Inox and Heliox UV LP PE (LP = low pressure) systems are designed to be used in residential pools. They will enable you to benefit from the latest ultraviolet light technology in the field of water treatment.

New features of LP Inox & LP PE:

- Stainless steel and polyethylene versions.
- Amalgam lamp version (LP30 and LP30+).
- Stainless steel power box.
- Fluidra technology (design and manufacturing).
- Lamp "ON" indicator.
- Electronic counter for working time and ignitions (lamp lifetime control).
- Flowswitch (optional, included in LP+versions).
- Versions with integrated pH&ORP control (integral solution).



Heliox UV LP Inox for residential pools

New

UV LP Inox systems are characterised by an AISI 316L stainless steel UVC chamber with maximum reflectance (greater treatment capacity) and an LP30/LP30+ amalgam lamp.

	Code	Standard Packaging	Standard Weight kg	Standard Volume m ³
Heliox UV LP 10	52206	1	-	-
Heliox UV LP 14	52207	1	-	-
Heliox UV LP 25	52208	1	-	-
Heliox UV LP 30	52209	1	-	-
Version with pH/ORP Control (LP+):				
Heliox UV LP 10 +	52210	1	-	-
Heliox UV LP 14 +	52211	1	-	-
Heliox UV LP 25 +	52212	1	-	-
Heliox UV LP 30 +	52213	1	-	-



Heliox UV LP PE for residential pools

New

The UV LP PE models feature chambers made of polyethylene (inalterable), which means they can be used in extreme saline (seawater) pH and oxidising conditions.

	Code	Standard Packaging	Standard Weight kg	Standard Volume m ³
Heliox UV LP P10	52214	1	-	-
Heliox UV LP P14	52215	1	-	-
Heliox UV LP P20	52216	1	-	-
Heliox UV LP P25	52217	1	-	-
Version with pH/ORP Control (LP+):				
Heliox UV LP P10 +	52218	1	-	-
Heliox UV LP P14 +	52219	1	-	-
Heliox UV LP P20 +	52220	1	-	-
Heliox UV LP P25 +	52221	1	-	-

Material	Code	Model	Code	Model	Flow (30 ml/cm ²)	N° lamps	Rated / UV-C power	Total height (mm)	Ø reactor
Inox	52206	UV LP 10	52210	UV LP 10+	10 m ³ /h	1	48 / 13 W	790	204
Inox	52207	UV LP 14	52211	UV LP 14+	14 m ³ /h	1	56 / 18 W	790	204
Inox	52208	UV LP 25	52212	UV LP 25+	25 m ³ /h	1	90 / 30 W	1033	204
Inox	52209	UV LP 30	52213	UV LP 30+	30 m ³ /h	2	2 x 75 / 2 x 25 W	1033	204
PE	52214	UV LP P10	52218	UV LP P10+	10 m ³ /h	1	48 / 13 W	735	200
PE	52215	UV LP P14	52219	UV LP P14+	14 m ³ /h	1	56 / 18 W	735	200
PE	52216	UV LP P20	52220	UV LP P20+	20 m ³ /h	1	75 / 25 W	978	200
PE	52217	UV LP P25	52221	UV LP P25+	25 m ³ /h	1	90 / 30 W	978	200

UV AUTOMATIC DISINFECTION

Clair-UV "LP" ultraviolet system for residential pools - 3 bar

Body in S.S. AISI 316L - Ho Lamps at low pressure. Dosage 30 mJ. Maximum water temperature 40°C. Maximum pressure 3 bar. Electrical control box: IP-54 protection.



Code	Model Clair-UV LP	Flow rate Q (m³/h)	N° Lamps	Consumpt. lamps	Total lamp power UV-C (W)	DN flange inlet/outlet	Max pressure bar	Total Height H (mm)	Ø C of reactor
35963	Clair-UV3205HO	45	3	87	87	2 1/2"	3	984	205
35964	Clair-UV4205HO	65	4	87	116	2 1/2"	3	984	205
35965	Clair-UV5205HO	85	5	87	145	2 1/2"	3	984	205
35966	Clair-UV6205HO	95	6	87	174	2 1/2"	3	984	205
35967	Clair-UV6273HO	130	6	87	174	DN80	3	984	273

Code	Standard Packaging	Standard Weight kg	Standard Volume m³
35963	1	26	0.026
35964	1	26	0.026
35965	1	26	0.026
35966	1	26	0.026
35967	1	114	0.114

"LP" Elektra range EA4H ultraviolet system

The Elektra EA range is used in Spas, Small pools and fish ponds. Exclusive design with a stainless steel chamber, perfect union assembly of chambers, which makes cleaning of Quarz tubes easier. The rotation of 360° of the inlet and outlet position of this range, makes an easy installation. **HO Lamps at Low Pressure. Dosage: 30 mJ. Maximum water temperature 40°C.**



Code	Model LP Elektra EA4H	Flow rate Q (m³/h)	N° Lamps	Consumpt. lamps	Total lamp power UV-C (W)	DN flange inlet/outlet	Total Height H (mm)	Ø C of reactor
36835	EA-4H-5	3,6	1	30	10	63	450	10.16
36836	EA-4H-10	7	1	58	20	63	629	10.16
36837	EA-4H-20	9,6	1	80	26	63	990	10.16
36838	EA-4H-40	10,8	1	90	30	63	1170	10.16

CONTINUOUS FLOCCULATION SYSTEM



Floc System

New

Automation flocculant dosing adjustable flow water pools. Includes: adjustable pump from 151 cm³/h until 1.5 l/h, injector valve, bottom filter, suction and return tube.

Code	Standard Packaging	Standard Weight kg	Standard Volume m³
54528	1	5.6	0.033



DOSING PUMPS



Exactus membrane dosing pumps

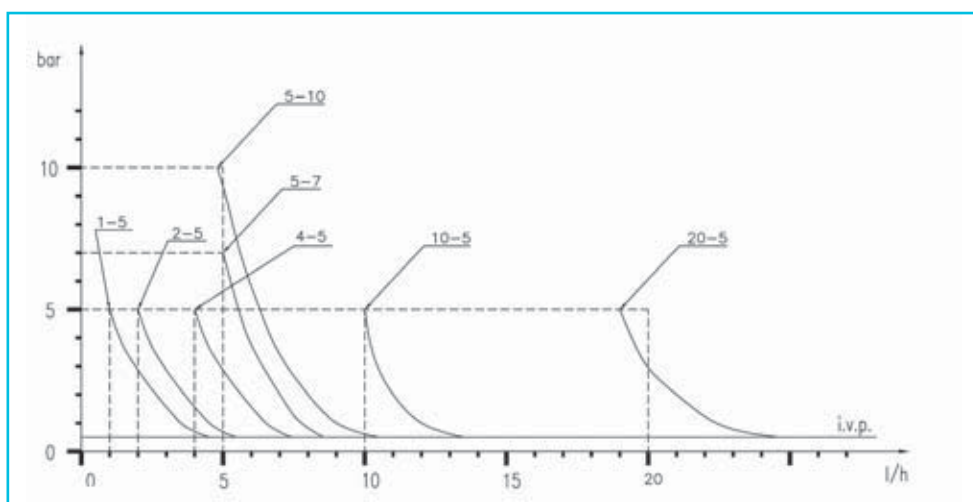
Electronic dosing pump for wall mounting or horizontal base. 6 models available:

- Analogical manual
- Microprocessor manual
- Proportional processor via mA external signal
- With incorporated pH instrument
- With incorporated Redox instrument.
- Volumetric (enquire Aquastral)

All systems comply with EC regulations. IP-65 protection. Electrical connection: 220/240 V 50/60 Hz. Materials in contact with the liquid: Polypropylene, Viton, Teflon and PVC. Other valve models in different materials available on request. Includes anti-acid plastic housing. Touch sensitive moisture resistant indicator. Drainage valve included. Lubrication-free, minimal maintenance. On request, the unit can be supplied with outlet, level probe or other operating voltages.



EXACTUS PUMP PERFORMANCE CURVES



Exactus Manual model

Electronic dosing pump for wall mounting or horizontal base. Manually regulated flow rate. Regulation range: 0-100% and 0-20%. Acid resistant plastic housing.



		Code	Standard Packaging	Standard Weight kg	Standard Volume m ³
Manual	2 l/h - 5 bar	43474	1	4	0.20
Manual	2 l/h - 10 bar	43475	1	4	0.20
Manual	5 l/h - 7 bar	43476	1	4	0.20
Manual	5 l/h - 10 bar	43477	1	4	0.20
Manual	10 l/h - 5 bar	43478	1	4	0.20
Manual	20 l/h - 5 bar	43479	1	4	0.20



Exactus Manual Microprocessor model

Electronic dosing pump for wall mounting or horizontal base. Manually regulated flow rate with digital control for injection frequency. Regulation range: 0-100% and 0-20%. Product ready to incorporate level probe (not included). Acid resistant plastic housing.



		Code	Standard Packaging	Standard Weight kg	Standard Volume m ³
Manual	2 l/h - 10 bar	43486	1	4	0.20
Manual	5 l/h - 7 bar	43487	1	4	0.20
Manual	5 l/h - 10 bar	43488	1	4	0.20
Manual	10 l/h - 5 bar	43489	1	4	0.20
Manual	20 l/h - 5 bar	43490	1	4	0.20

DOSING PUMPS



Exactus Proportional model

Electronic dosing pump for wall mounting or horizontal base. Microprocessed proportional regulation via mA external signal 4 – 20 mA.

		Code	Standard Packaging	Standard Weight kg	Standard Volume m ³
Proportional (4-20mA)	5 l/h - 7 bar	43491	1	4	0.20
Proportional (4-20mA)	5 l/h - 10 bar	43492	1	4	0.20
Proportional (4-20mA)	10 l/h - 5 bar	43493	1	4	0.20
Proportional (4-20mA)	20 l/h - 5 bar	43494	1	4	0.20



Exactus pH / Rx model

Electronic dosing pump for wall mounting or horizontal base. Redox and pH regulation via proportional control. Regulation range: 0% - 100%. pH electrode not included.

		Code	Standard Packaging	Standard Weight kg	Standard Volume m ³
pH / Rx	5 l/h - 7 bar	43495	1	4	0.005
pH / Rx	5 l/h - 10 bar	43496	1	4	0.005
pH / Rx	10 l/h - 5 bar	43497	1	4	0.005



Exactus CL model

		Code	Standard Packaging	Standard Weight kg	Standard Volume m ³
CL	5 l/h - 7 bar	43498	1	4	0.005
CL	5 l/h - 10 bar	43499	1	4	0.005
CL	10 l/h - 5 bar	43500	1	4	0.005



Exactus Volumetric VFT model

		Code	Standard Packaging	Standard Weight kg	Standard Volume m ³
Volumetric VFT	5 l/h - 7 bar	43501	1	4	0.005
Volumetric VFT	5 l/h - 10 bar	43502	1	4	0.005
Volumetric VFT	5 l/h - 10 bar	43503	1	4	0.005
Volumetric VFT	20 l/h - 5 bar	43504	1	4	0.005



pH electrode

For pH Exactus model.

Code	Standard Packaging	Standard Weight kg	Standard Volume m ³
01303	1	0.2	0.001



RX electrode

For RX Exactus model.

Code	Standard Packaging	Standard Weight kg	Standard Volume m ³
01304	1	0.3	0.001

DOSAGE, MEASUREMENT, REGULATION...

DOSING PUMPS



CL electrode

For CL Exactus model.

Code	Standard Packaging	Standard Weight kg	Standard Volume m ³
45896	1	-	-



Electrode holder

Code	Standard Packaging	Standard Weight kg	Standard Volume m ³
01305	1	0.3	0.001



Electrode holder (pressure)

For working with pressure.

Code	Standard Packaging	Standard Weight kg	Standard Volume m ³
01306	1	0.3	0.001



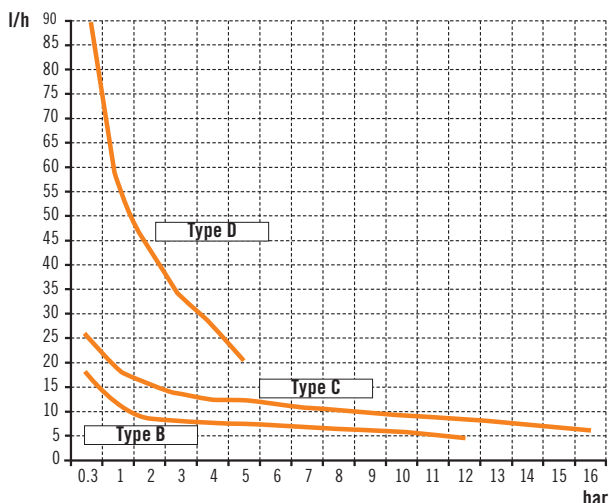
Optima dosing pumps

The OPTIMA dosing pump represents the development of more than 30 years of experience in the automatic dosing field. This new series reduces the number of pumps required to meet the various dosing needs.

The OPTIMA dosing pump series, with its new power supply technology from 90, VCA to 265 VCA and at 50-60 Hz, ensures a precision and reliability never seen before.

Integration of many functions due to its simple programming, an alphanumeric display, the possibility of multilingual programming of the menu and a new technology which permit controlled flow rate and back pressure. Allows to use the same model for various applications providing a great versatility.

Systems produced according to EC standards, IP65 protection, 90-265 VCA 50/60 Hz electrical power supply. Materials in contact with the chemical product are made of polypropylene, Viton, Teflon and PCV (other materials possible upon request). Anti-acid plastic container. Moisture-resistant membrane buttons. Built-in relief valve. No lubrication necessary, minimum maintenance. Peristaltic pump also available (see page 270).



OPTIMA constant flow rate analog dosing pump

The flow rate can be set as a percentage using the potentiometer under the front panel, which modifies the pump's operation frequency. Disposes of a level sensor inlet.

Double scale adjustment: OPTIMA analog dosing pumps can divide the maximum dosing frequency by 5. This double scale allows the user to have two pumps with a single model.

Code	Standard Packaging	Standard Weight kg	Standard Volume m ³
------	--------------------	--------------------	--------------------------------

Type B Optima Manual Adjustable Pump

5-10 bar and 2-5 l/h

36007	1	3.5	0.01
-------	---	-----	------

Type C Optima Manual Adjustable Pump

5 bar and 10 l/h

36008	1	4.5	0.01
-------	---	-----	------

Type D Optima Manual Adjustable Pump

5 bar and 20 l/h

36009	1	4.5	0.01
-------	---	-----	------

DOSING PUMPS



OPTIMA proportional and volumetric digital dosing pump

OPTIMA pumps provide all the functions of proportional dosing in a single model.

Features:

- Proportional with analog signals 0/4...20mA
- Proportional with digital signals and the possibility of:
 - Multiplying the input impulses (1:n)
 - Dividing the input impulses (n:1)
 - Function in ppm
- The pump has a memory function for processing input impulses dosing
- Level alarm with pump disconnection.
- Maximum dosing flow rate to prevent overdosing.
- Password for protecting programmed data
- Possibility of alarm connection.
- 90-265 VAC 50/60 Hz power supply.

	Code	Standard Packaging	Standard Weight kg	Standard Volume m ³
Type B Model 7-10 bar and 5 liters	36010	1	3.5	0.01
Type C Model 5 bar and 10 liters	36011	1	4.5	0.01
Type D Model 5 bar and 20 liters	36012	1	4.5	0.01




OPTIMA dosing pump with pH / Redox analyzer

OPTIMA dosing pump with built-in pH/Redox control. pH/Redox instrument. Automatic calibration: Calibration by simply pressing a button, with the possibility of controlling the level of probe efficiency

Features:

- 90-265 VAC 50/60 Hz power supply
- Manual compensation of temperature for pH or automatic compensation with PT100.
- 4...20mA output for printed register or transmission of the reading.
- Level alarm with pump disconnection.
- Set point deviation alarm, programmable for the entire measurement range.
- O.F.A. time (Over Feed Alarm) to prevent dosing if any probe malfunctions.
- Maximum dosing flow rate to prevent overdosing.
- Password for protecting programmed data.
- Possibility of alarm connection.

	Code	Standard Packaging	Standard Weight kg	Standard Volume m ³
Type C Optima Redox/pH control dosing pump (10 bar and 5 l/h and 5 bar and 10 l/h)	36013	1	4.5	0.01

Sensors				
pH sensor with calibration solutions (Code: 36004)	●		●	
Redox sensor with calibration solutions (Code: 36005)		●		●

*Sensor not included

DOSAGE, MEASUREMENT, REGULATION...

DOSING PUMPS



Automatic relief valve

Gas inside the dosing pump head may compromise proper operation of the pump. The relief valve automatically eliminates gas produced inside the pump's head. The relief valve must be installed directly on the dosing unit's delivery valve.



Automatic relief valve

Code	Standard Packaging	Standard Weight kg	Standard Volume m ³
36829	1	0.1	0.001



Bracket for mounting above tank

Optional support for mounting the OPTIMA series and pH Basic horizontally; for example, above chemical solution tanks.



Support bracket above tanks

Code	Standard Packaging	Standard Weight kg	Standard Volume m ³
36830	1	0.1	0.002

Peristaltic dosing pump

Maximum flow 3 l/h at 96 r.p.m. Power supply 220/240 V 50/60 Hz. Regulation from 10% to 100%. The materials in contact with the liquid are Silicone and PP.



With housing

Code	Standard Packaging	Standard Weight kg	Standard Volume m ³
07822	1	6.5	0.076



Polyethylene cylindrical tanks

To hold chemicals for dosage pumps.



Capacity: 120 l
Capacity: 200 l
Capacity: 300 l
Capacity: 500 l
Capacity: 1000 l

Code	Standard Packaging	Standard Weight kg	Standard Volume m ³
11021	1	4.5	0.120
01315	1	10.0	0.390
01317	1	14.0	0.510
11025	1	21.5	0.760
28831	1	-	-



Manual stirrer

For Polyethylene tanks.



Length 60 cm
Length 90 cm

Code	Standard Packaging	Standard Weight kg	Standard Volume m ³
01318	1	0.5	0.010
01319	1	1.2	0.020

DOSING PUMPS

Definition:

- Organic Chlorine (stabilised Chlorine):** This term is used to indicate pools treated with trichlor tablets, granular Dichor etc. – in other words, pools that use an Isocyanuric acid organic compound.
- Inorganic Chlorine (un-stabilised Chlorine):** This term is used to indicate pools treated with either Sodium or Calcium Hypochlorite.
- Organic Bromine:** This term is used to indicate pools treated with Dimethylhydantoin Bromine (in tablets).



Rolachem RC8 Series - Automatic Acid (pH) & Chlorine (ORP)

The RolaChem RC8 is a proportional dosing pH and ORP controller. New pH and ORP sensors have integral amplifiers and high level shielding to virtually eliminate interference. Easy to calibrate and easy to operate with large 4 line LCD display to guide installers and users through set up and operation. Integral peristaltic pumps from 1 RPM to 100 RPM for all size swimming pools and ABS case. Software easily adjusts dosing rates for bather load and weather conditions. Available in ORP only, pH only and ORP and pH control. 3 Year Pro rata warranty.



Chlorine (ORP) & Acid (pH) models:

	Code	Chlorine Pump	Acid Pump	Standard Packaging
RC8 5/1 Automatic ORP & PH with LCD	43901	5 RPM	1 RPM	1
RC8 5/5 Automatic ORP & PH with LCD	43902	5 RPM	5 RPM	1
RC8 20/5 Automatic ORP & PH with LCD	43903	20 RPM	5 RPM	1
RC8 100/5 Automatic ORP & PH with LCD	43904	100 RPM	5 RPM	1
RC8 100/20 Automatic ORP & PH with LCD	43905	100 RPM	20 RPM	1

Chlorine (ORP) only models

RC8 5/0 Automatic ORP with LCD	43906	5 RPM	-	1
RC8 20/0 Automatic ORP with LCD	43907	20 RPM	-	1
RC8 100/0 Automatic ORP with LCD	43908	100 RPM	-	1

Acid (pH) only models

RC8 0/1 Automatic PH with LCD	43909	-	1 RPM	1
RC8 0/5 Automatic PH with LCD	43910	-	5 RPM	1
RC8 0/20 Automatic PH with LCD	43911	-	20 RPM	1

Motor size RPM	Litres per Hour	Max pool size for chlorine	Max pool size for acid
1 RPM	20 ml (minimum) - 200 ml (maximum)	N/A	80,000
5 RPM	100 ml (minimum) - 850 ml (maximum)	80,000	240,000
20 RPM	800 ml (minimum) - 3,000 ml (maximum)	240,000	750,000
100 RPM	3,000 ml (minimum) - 15,000 ml (maximum)	750,000	N/A

AUTOMATIC REGULATION AND CONTROL EQUIPMENT



Smart Control control & regulation equipment

New

Equipment control and regulation of chemical dosage to residential and public pools. Featuring a stylish and practical enclosure that houses the electronics and multiparameter sensor pocket camera. Swing door for easy access to the probes for maintenance and inspection service. Color touch screen with intuitive navigation menus. Permits from regulatory control settings and professionals to very advanced version control conditions and more stringent state information.

	Code	Standard Packaging	Standard Weight kg	Standard Volume m ³
Smart Control pH/ORP	54523	1	-	
Smart Control pH/Cl	54524	1	-	
Smart Control pH/ORP/Cl	54525	1	-	

	SMART CONTROL pH/ORP	SMART CONTROL pH/Cl	SMART CONTROL pH/ORP/Cl
Sensors	pH ORP (mV) Conduct./Temp (opc.)	pH Cl ₂ ppm ((potentiostatic 3-electrodes) Conduct. / Temp.	pH ORP (mV) Cl ₂ ppm ((potentiostatic 3-electrodes) Conduct. / Temp.
Features	Enclosure protection - Door access probes - TFT-1 color touch - Intuitive menus Time clock, battery - Transparent probe holder - Light probe holder (opt) Detect. Inductive flow		
Communication	Ambient Light Detector (opt) 4-20 mA Output (2), (opt) Pulse Output (2), (opt) 4-20 mA (3), (opt) 7 digit entries. progr. 8 outputs progr. 230 V / Clock Historical (1 week) USB (opt) Ethernet (opt) Modbus	Ambient Light Detector (opt) 4-20 mA Output (2) Pulse Output (2) 4-20 mA (3) 7 digit entries. progr. 8 outputs progr. 230 V / Clock Historical (4 weeks) USB Ethernet (opt) Modbus	Ambient Light Detector 4-20 mA Output (2) Pulse Output (2) 4-20 mA (3) 7 digit entries. dev. Prog 8 outputs 230 V / Clock Historical (4 weeks) USB Ethernet Modbus



Pool Patrol

New

The Colorimetric controller unit gives a reply to the demand of the Swimming Pool Market requiring compact, easy and low maintenance device, with IP65 enclosure. The available measures are: Free Chlorine (DPD1), pH, Redox (ORP), Temperature. Thanks to its internal graphic display it is possible to have all measures displayed at the same time. The Plastic Cover assures an easy accessibility to the hydraulic part. Includes: Measuring instrument, flow detector by temperature, pH sensor, ORP sensor, pH calibration solutions, ORP calibration solutions and DPD2 bottle.

	Code	Standard Packaging	Standard Weight kg	Standard Volume m ³
Pool Patrol	54527	1	-	-

AUTOMATIC REGULATION AND CONTROL EQUIPMENT



Controller

New



Automatic pH, Redox and free Chlorine regulation equipment.

- 8 x 12 mm Standard connections.
- Air vent purge at the entrance.
- 80 micron filter integrated.
- New reed flow proximity sensor, avoiding overdoses when the flow decreases.
- Integrated support for sensors.
- Adjustable flow valve and valve for water samples.
- 4-20 mA outlet for external registration.
- Adjustable frequency output 0-120 imp/min.
- Automatic temperatura compensation.

Controller pH/Redox/serial Port

Includes:

- pH + Redox electrodes + Temperature sensor (PT100)
- Buffer solutions kit

Does not include dosing pump nor electric valve for tablets dosage.

Controller pH/Cl/serial Port

Includes:

- pH + Chlorine electrodes + Temperature sensor (PT100)
- Buffer solutions kit

Does not include dosing pump nor electric valve for tablets dosage.

Controller pH/Cl/Redox/serial Port

Includes:

- pH + Redox + Chlorine electrodes + Temperature sensor (PT100)
- Buffer solutions kit

Does not include dosing pump nor electric valve for tablets dosage.

Controller Cl/serial Port

Includes:

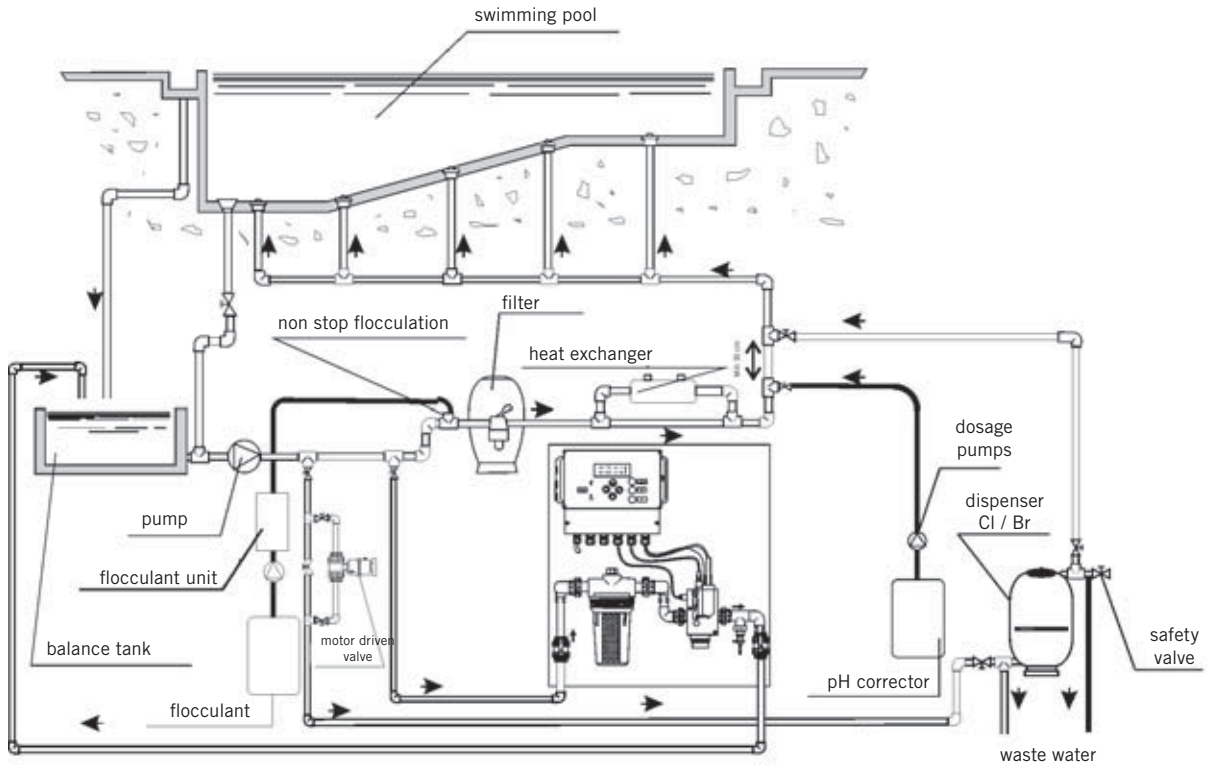
- Chlorine electrode + Temperature sensor (PT100)
- Buffer solutions kit

Does not include dosing pump nor electric valve for tablets dosage.

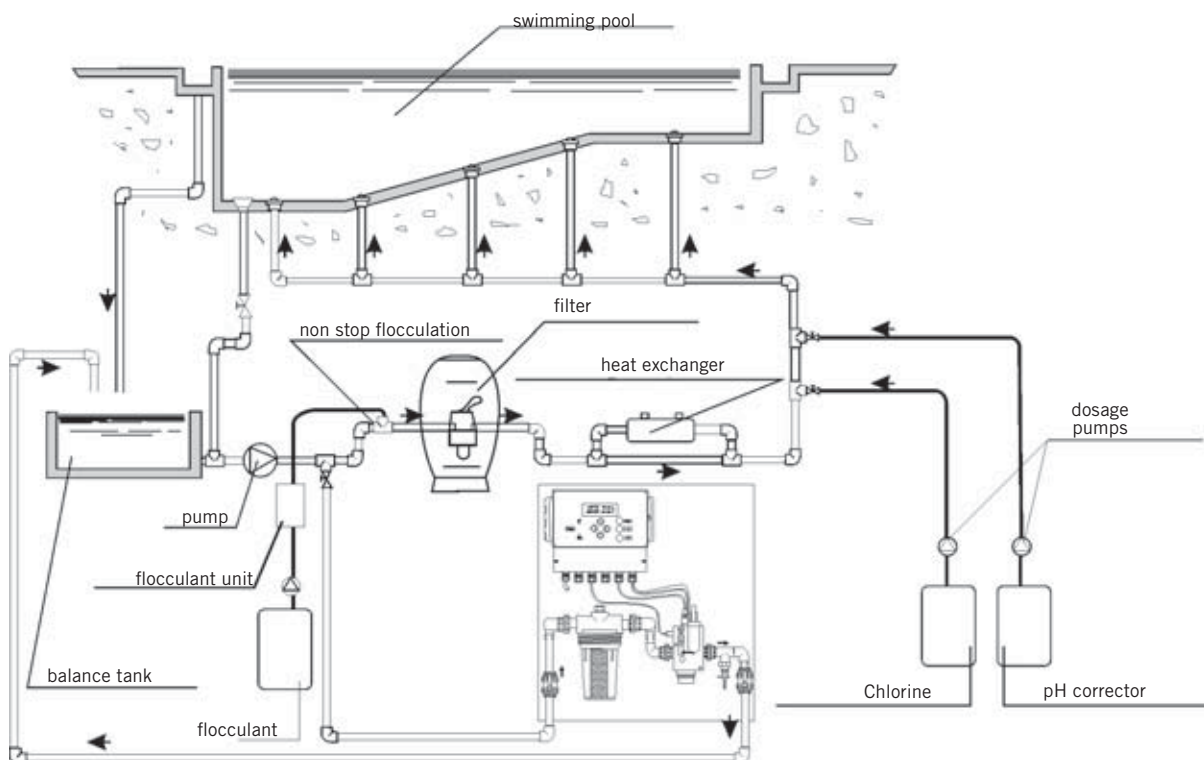
	Code	Standard Packaging	Standard Weight kg	Standard Volume m ³
Controller pH/Redox/serial Port	53983	1	-	-
Controller pH/Cl/serial Port	53984	1	-	-
Controller pH/Cl/Redox/serial Port	53985	1	-	-
Controller Cl/serial Port	53986	1	-	-

AUTOMATIC REGULATION AND CONTROL EQUIPMENT

Installation diagram for organic Chlorine or Bromine



Installation diagram for Inorganic Chlorine



ELECTRODE CLEANING AND ADJUSTEMENT



Cleaning kit n° 1

Contains:
 Buffer solution pH 4,
 Buffer solution pH 7,
 Redox solution 460 mV &
 Cleaning solution.

Code	Standard Packaging	Standard Weight kg	Standard Volume m ³
16652	1	1.1	0.002



Cleaning kit n° 2

Contains:
 Buffer solution pH 7,
 Buffer solution pH 9,
 Redox solution 460 mV &
 Cleaning solution.

Code	Standard Packaging	Standard Weight kg	Standard Volume m ³
16653	1	1.1	0.002



Solutions

Buffer solution pH 4
 Buffer solution pH 7
 Buffer solution pH 9
 Redox solution 460 mV
 Cleaning solution

Code	Standard Packaging	Standard Weight kg	Standard Volume m ³
16654	4	5.5	0.010
16655	4	5.5	0.010
16656	4	5.5	0.010
16657	4	5.5	0.010
16658	4	5.5	0.010

WATER METERS



Residential water meters

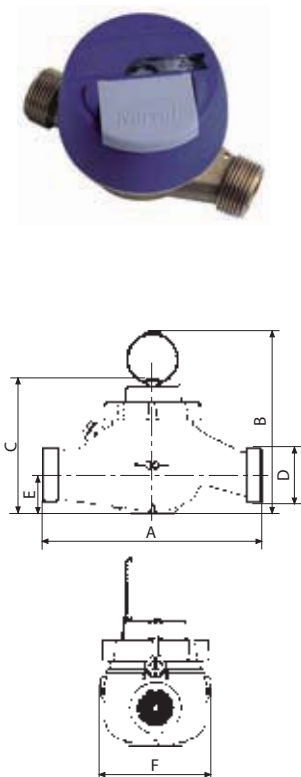
Dry operation. Models 1/2" - 3/4" single jet. Models 1" - 1 1/4" - 1 1/2" multiple jets. Adjustable totalizer 360°. For cold water up to 30°. Direct reading by means of numbered drums. From 1" prefitted with cycle emitter of impulses and EEC 75/33 certified. Fittings included.

Calibre	Maximum reading m ³	A	F	C	B	Code	Standard Packaging	Standard Weight kg	Standard Volume m ³	
Racor	mm									
*1/2"	15	99.999	115	72	59.5	59.5	01134	1	0.5	-
*3/4"	20	99.999	115	72	59.5	59.5	01135	1	0.6	-
1"	25	99.999	260	103	124	190	01136	1	2.1	-
1 1/4"	30	99.999	260	103	124	190	01137	1	2.2	-
1 1/2"	40	999.999	300	128	155	222	01138	1	4.5	-

* Primitive verification included

Metrology Features

Nominal Diameter	DN	mm	15	20	25	30	40	
		inches	1/2"	3/4"	1"	1 1/4"	1 1/2"	
Metrology features	Starting flow	l/h	7	12	25	25	70	
	Minimum reading step	l	0.05	0.05	0.05	0.05	0.5	
	Max. total reading	m ³	99.999	99.999	99.999	99.999	999.999	
	Maxi head loss at max Q	bar	-	-	0.42	0.85	0.7	
	Maxi admissible temperature	°C	30	30	30	30	30	
	Maxi admissible pressure	bar	16	16	16	16	16	
Approved CEE values	Max Q	m ³ /h	3	5	7	10	20	
	Qn	m ³ /h	1.5	2.5	3.5	5	10	
	Qt	m ³ /h	0.12	0.20	0.28	0.4	0.8	
	Min Q	m ³ /h	0.03	0.05	0.07	0.1	0.2	
	Head loss at max Q	bar	0.9	0.9	0.6	1	1	
	Approval certificate CEE/ISO		F99.00.382.0008.0					



ATTENTION:

The water meter metrology, indicated below, follows CEE/ISO class A regulations.



Industrial water meters

Dry dial meter with numerical readout, for water till 50° C. Removable measuring mechanism, except that of 2" gauge. Maximum reading capacity: 10,000,000 m³.

	Code	Standard Packaging	Standard Weight kg	Standard Volume m ³
*2" gauge - 50 mm	01139	1	9.0	0.006
2 1/2" gauge - 65 mm	01140	1	13.0	0.008
3" gauge - 80 mm	01141	1	15.0	0.030
4" gauge - 100 mm	01142	1	17.0	0.030
6" gauge - 150 mm	01144	1	28.0	0.060
8" gauge - 200 mm	01145	1	48.0	0.060

*Measuring mechanism not removable.



Woltman type turbine meters

Woltman type axial turbine water meter, with numerical counter readout, and numbered drums. Dry dial with magnetic transmission. Easily removable gearwork and turbine. Pre-set for pulse emission. IP-68 protection level. CYBLE type pulse emission.

	Code	Standard Packaging	Standard Weight kg	Standard Volume m ³
2" gauge - 50 mm	20430	1	12.0	0.004
2 1/2" gauge - 65 mm	20431	1	13.6	0.004
3" gauge - 80 mm	20432	1	14.6	0.004
4" gauge - 100 mm	20433	1	20.0	0.006
5" gauge - 125 mm	20434	1	30.0	-
6" gauge - 150 mm	20435	1	36.0	0.009
8" gauge - 200 mm	20436	1	55.0	0.012
CYBLE type emitter K= 1 l/pulse	23235	1	-	-
CYBLE type emitter K= 10 l/pulse	23235-0010	1	-	-
CYBLE type emitter K= 100 l/pulse	23235-0100	1	-	-



CONTROL SYSTEMS



Electrically driven plastic valves - Nylon

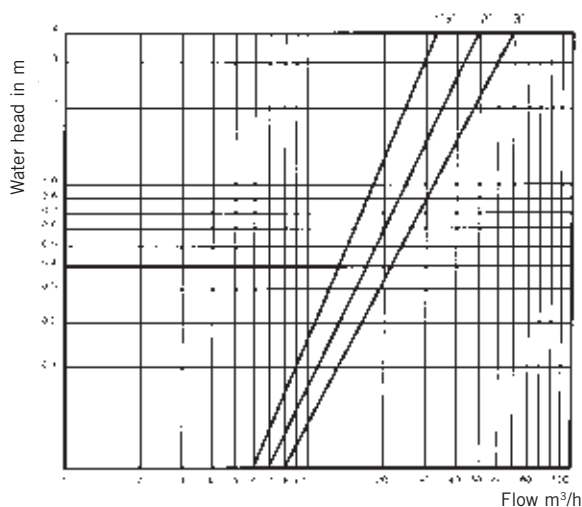
New

Threaded connection. Manually operated ON position Flow regulator. Stainless Steel AISI-302 spring. Maximum working pressure = 10 atm.

	Code	Standard Packaging	Standard Weight kg	Standard Volume m ³
1 1/2" connections	09392	1	0.5	-
2" connections	06935	1	0.7	-
3" connections	06936	1	1.1	-

MODELS	09392	06935	06936
Connection	1 1/2"	2"	3"
Minimum pressure kg/cm ²	1	1	1
Maximum pressure kg/cm ²	10	10	10
Maximum flow m ³ /h	30	40	60

Pressure and flow diagrams



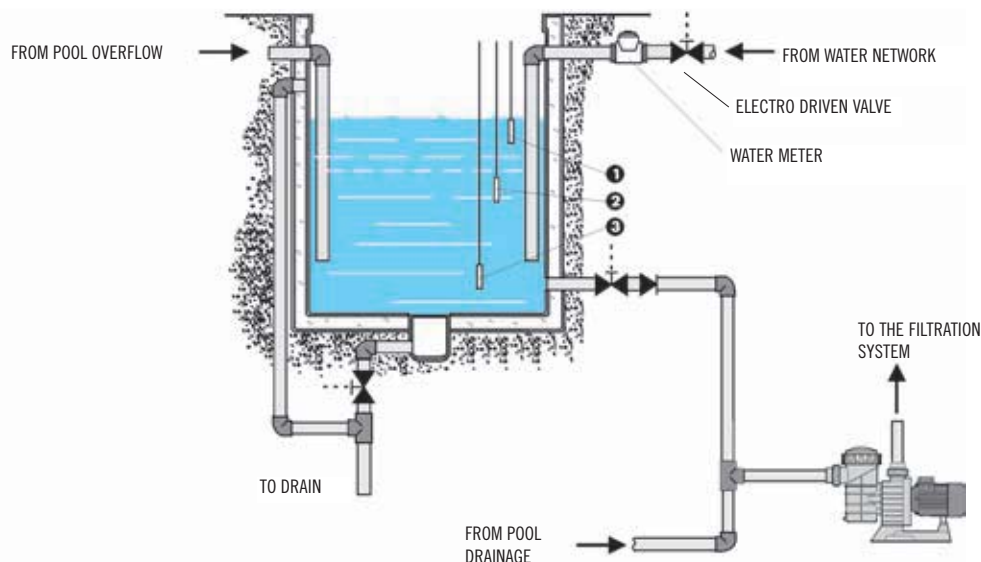
24 Volt. solenoids

To install in electric valves with code 09392, 06935 and 06936.

Code	Standard Packaging	Standard Weight kg	Standard Volume m ³
09393	1	-	-

ELECTRODE CLEANING AND ADJUSTEMENT

BALANCE TANK INSTALLING DIAGRAM



- ❶ Maximum water level signal in BALANCE TANK for starting the pumping system and electrodriven water inlet valve shut down.
- ❷ Minimum water level signal in BALANCE TANK for opening the electrically operated valve for make up water.
- ❸ Minimum level signal in BALANCE TANK for shutting down the pumping system.



Electronic operating panel for overflow pool balance tank

For overflow pool. Water level sensor with 2 m cable.

For 2 water levels control panel:

* Minimum safety level for pump operation: The pump stops working if water level doesn't have the minimum set level.

* Water make up level: Gives the solenoid valve the opening signal to keep correct water level in balance tank. Solenoid valve signal in 220 V II & 24 V II.

Code	Standard Packaging	Standard Weight kg	Standard Volume m ³
12061	1	-	-

3 water level control panel:

* Minimum safety level for pump operation: The pump stops working if water level reaches the minimum set level.

* Water make up level: Gives the solenoid water inlet valve, the opening signal to keep correct water level in balance tank. Solenoid valve signal in 220 V II & 24 V II.

* Pump start level: The pump starts operation when water level in balance tank reaches the overflow level (pipe burst or check valve failure).

Code	Standard Packaging	Standard Weight kg	Standard Volume m ³
12062	1	-	-



Buoys

Plastic float.

- 26 x 34 - 1"
- 40 x 49 - 1 1/2"
- 50 x 60 - 2"

Code	Standard Packaging	Standard Weight kg	Standard Volume m ³
20259	1	-	-
20261	1	-	-
20262	1	-	-

Code	A (mm)	Float Ø (mm)
20259	386	180
20260	591	220
20261	596	220
20262	699	300

DOMOTICPOOL

Domoticpool

With the centralized Domoticpool electronic panel, monitoring and controlling the poolside equipment (lighting, filtration, garden watering, pool cleaning, etc.) is achieved installed inside of the residence without laying out any wires. For obtaining this, a Control Unit located in the house communicates with the Communication Module situated in the Plant Room. This is achieved using the conventional electric network of the house as order transmitter.

It consist of:

- Two way communication using the power lines.
- Graphic display with finger touch screen.
- True time clock permitting programmed temporising cycles.
- Personalized communication protocol.
- Two way transmission.

Easy installation and cost reduction has to be highlighted as it eliminates cable laying, thus enabling its control from anywhere, where we have access to electric network. Electric terminals can be easily added both in existing pools as well as in new ones. Communication module has 3 relays with inlets/outlets and 2 temperature sensors inlets.

Code	Standard Packaging	Standard Weight kg	Standard Volume m ³
27815	1	0.92	0.002
27816	1	0.36	0.001
30888	1	-	-

Centralized electric control
 Communication module for control
 Temperature sensor



Control Unit with Finger touch screen



Easily understandable Icon and menu presentation



Communication Module



DOSAGE, MEASUREMENT, REGULATION ...

THERMOMETERS

Thermometers Shark series



Both models feature a float at the top of the thermometers, allowing for accurate pool water temperature measurement. Readings are easy to get, without the need to remove the thermometer from the water. Analogical model: measures water temperature in both °C and °F.

Analogical model



Code	Standard Packaging	Standard Weight kg	Standard Volume m ³
36622	1	-	-

Floating cylindric thermometer



Celsius & Fahrenheit scale.

Code	Standard Packaging	Standard Weight kg	Standard Volume m ³
20594	20	2.1	0.032

Submersible cylindric thermometer

Celsius & Fahrenheit scale.

Code	Standard Packaging	Standard Weight kg	Standard Volume m ³
20593	20	1.2	0.006

Floating thermometer



Celsius scale.

Code	Standard Packaging	Standard Weight kg	Standard Volume m ³
01410	6	0.7	0.010

Submersible thermometer



Celsius & Fahrenheit scale.

Code	Standard Packaging	Standard Weight kg	Standard Volume m ³
01411	1	0.1	0.001

POOL CLEANING EQUIPMENT



- 282 • Net'N'Clean integrated cleaning system
- 285 • Automatic suction cleaners
- 290 • Pool cleaners pumps
- 291 • Manual suction cleaners
- 293 • Handles
- 294 • Suction hoses
- 296 • Leaf skimmers
- 297 • Brushes
- 299 • Cleaning kits
- 300 • Hydrocleaners

NET'N'CLEAN INTEGRATED CLEANING SYSTEM

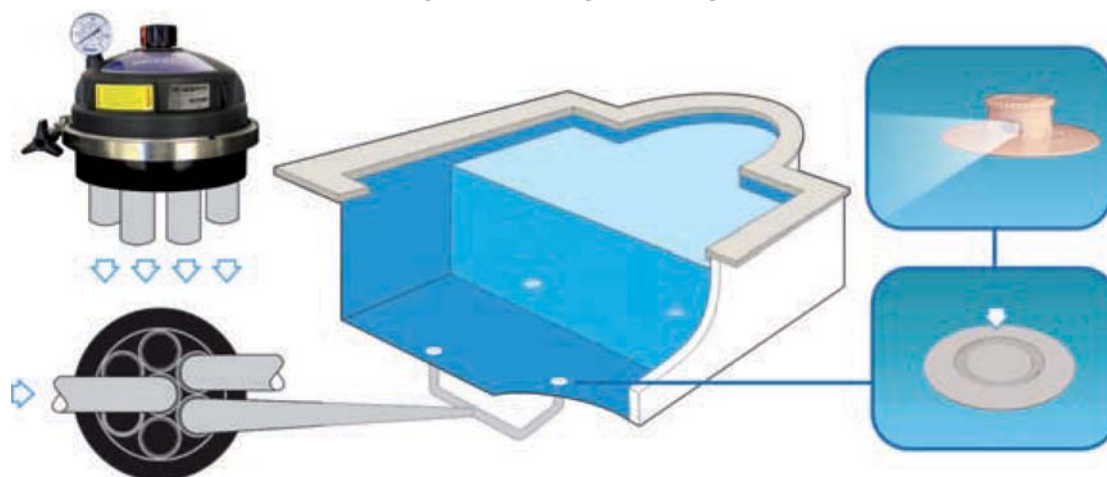
NET'N'CLEAN

Integrated cleaning system

The NET'N'CLEAN is an efficient cleaning system, consisting of a six outlet distributor valve that receives clean water from the filter and distributes it sequentially to a series of nozzles installed on the pool floor.

As pressurised water exits the nozzles, it lifts dirt from the bottom into suspension to be collected by the skimmer and the drain. The Net 'n' Clean offers a more efficient and cost effective alternative to other cleaning systems as it provides a more uniform distribution of the pool temperature and chemicals.

INSTALLATION DIAGRAM



Net'n'Clean distributor valve Ø 50 mm

Six way distribution valve. This valve is part of the Net'n'Clean cleaning system which is integrated in the pool floor. It distributes water sequentially through its various branches. Made of plastic and titanium it has high resistance to salt water. Maximum working pressure: 1.4 bars. Maximum flow: 15 m³/h. Connections: 7 x Ø 50 mm. 2 pop-up nozzles for branch recommended.

Net'n'Clean distributor valve:
European model

Code	Standard Packing	Standard Weight kg	Standard Volume m ³
21257	1	1.7	0.015



Net'n'Clean distributor valve Ø 63 mm

Distributor valve optimized for greater hydraulic performance. Maximum working pressure of 1.8 bars. Maximum flow of 24 m³/h. Connections: 7 x Ø 63 mm or 7 x Ø 75 mm. From 2 to 4 nozzles per branch.

Net'n'Clean distributor valve Ø 63 mm

Code	Standard Packing	Standard Weight kg	Standard Volume m ³
35079	1	5.6	0.031



Net'n'Clean reducing wall conduit for nozzles

Reducing conduit to install concrete Net'n'Clean nozzles (26985). Made in white PVC. Ø 50 mm inside & Ø 63 mm outside connections.

Code	Standard Packing	Standard Weight kg	Standard Volume m ³
21248	12	7.3	0.032

NET'N'CLEAN INTEGRATED CLEANING SYSTEM



Net'N'Clean nozzle

Net'N'Clean nozzle range with 4 different hole configurations. We recommend S4 for the floor and S1 and S2 for the steps. Designed for concrete, liner and fibreglass pools.

The flow rates and radius of action according to the outlet chosen on the nozzle are:

Outlet	Combination	Flow x nozzle m ³ /h	Cleaning length in metres	Outlet surface in mm ²
S1	B+D	2.5	0.60	50
S2	A+D	4	1.25	100
S3	B+C	5	1.80	150
S4	A+C	5	1.80	200

In bold type, the configuration supplied from factory.

Code	Standard Packing	Standard Weight kg	Standard Volume m ³
------	------------------	--------------------	--------------------------------

For concrete pools:

With swivel joint	26985	12	4.14	0.02
Fixed	26986	12	3.78	0.02

For liner pools:

Fixed self threaded PN10	28499	12	5.05	0.034
With metallic insert PN10	28500	12	5.05	0.034
With swivel joint, with inserts	43584	12	5.64	0.033
With swivel joint, with self-tappers	43585	12	5.30	0.033

For Fibreglass pools:

Fixed	21209	12	5.05	0.034
-------	--------------	----	------	-------

On demand can be supplied with the following colours: Sky blue, Navy blue, Grey metal flake, Grey metal and Black.



Concrete



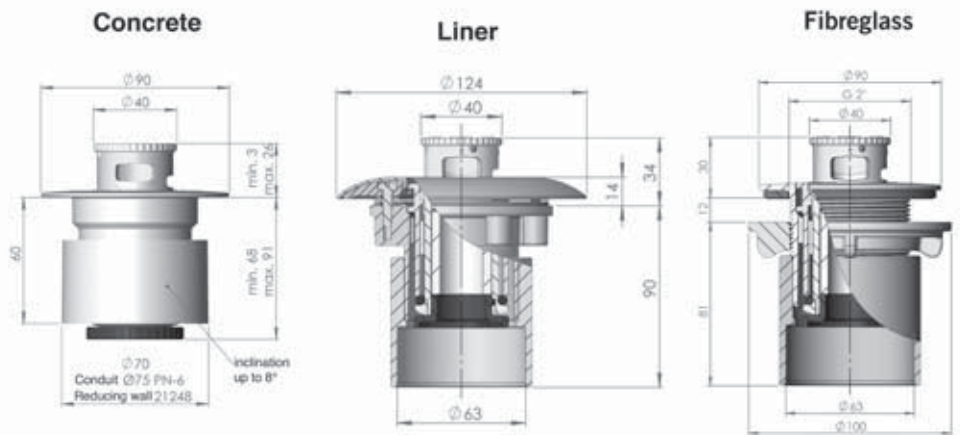
Concrete



Fibreglass



Liner



We will not be held responsible for any malfunction or other problems deriving from an incorrect installation. To avoid any such problems, please follow the instructions outlined in the installation manual.

NET'N'CLEAN INTEGRATED CLEANING SYSTEM



Wall conduit Ø 90 mm



PVC plastic wall conduit. Cutting area of 120 mm to adjust it to the wall or to the background of the pool. Ø63 or Ø75 connection as preferences.

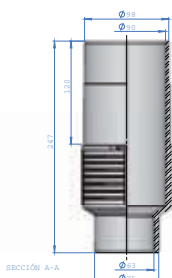
	Code	Standard Packing	Standard Weight kg	Standard Volume m ³
Wall conduit Ø 90 / Ø63-Ø75 mm	43590	9	7,3	0,033

For nozzles:

Net'N'Clean: 43584 - 43585

BCN 03: 43586 - 43587 - 43588 - 43589

Inlet/suction nozzle for large flows: 41518 - 41519 - 41520 - 41521



Net'N'Clean electronic integrated cleaning system



The Net'N'Clean electronic recommended for public or large private pools is equipped with an electronic panel that automatically controls a series of solenoid valves used to open or close water flow to each nozzle branch. Computer controlled. Controls up to 12 electrovalves. Maximum flow rate: 18 m³/h for each valve.

	Code	Standard Packing	Standard Weight kg	Standard Volume m ³
4 valve system	32388	1	16.55	0.260
6 valve system	22512	1	24.83	0.260
8 valve system	22514	1	31.10	0.029
10 valve system	22516	1	35.40	0.029
12 valve system	22518	1	39.70	0.029



AUTOMATIC SUCTION CLEANERS



Bolero ND

Automatic suction pool cleaner with a membrane system suitable for all types of pools. It uses the pump filtration circuit as an energy source. The cleaner can climb walls and vacuum the dirt from the floor. Easy installation and maintenance. It is supplied with fittings that measure and control the waterflow, so it ensures the best performance in the pool. In order to cover the entire surface of the pool, it includes 12 sections of flexible hose (1 metre each), and a deflector ring that prevents the Bolero ND getting trapped.

Code	Standard Packing	Standard Weight kg	Standard Volume m ³
43395	1	7	0.092



Tigrus Hydra pressure cleaner

New

Pressure side cleaner for private swimming pools up to 6 x 12 m. It does not require the installation of an additional booster pump. It can therefore be connected directly to the return nozzles and will work according to the filtration program. It has an Easy-Clean filter bag that is easy to remove and clean

Code	Standard Packing	Standard Weight kg	Standard Volume m ³
45199	1	10	0.147

Suction cleaner hydraulic Tigrus



Vals

New

Suction side pool cleaner suitable for all types of private pools. Connected to the pool's suction nozzle or the skimmer, it is able to suck up all the dirt on the pool bottom and walls. It works silently thanks to membrane technology. Its energy source is the pump of the filtration system and dirt is retained by the pool's filtration system. Easy to install by the end user without the need for tools. It is supplied with 14 flexible hoses (0.8 m each) that can be easily connected to adjust the total length of the hose to the size of the pool.

Code	Standard Packing	Standard Weight kg	Standard Volume m ³
53789	1	6	0.05

Suction cleaner Vals



Mamba

Mamba can be installed in minutes without any tools and requires no alteration to your pool. It can be adopted to flat-bottomed or sloped pools and can be used in above ground pools. It is connected directly to the skimmer or the suction line. It works by suction with no need of electricity using the existing filtration system (4m³/h minimum). It is supplied with a 10 m special hose for greater efficiency. It is a cleaner and also a mobile main drain. It is supplied with a pressure regulator to ensure constant flow.

Code	Standard Packing	Standard Weight kg	Standard Volume m ³
38467	1	8.1	0.061

Mamba XS

The main application is to clean the bottom of an above ground pool. It is a portable auto cleaner for above ground swimming pools. It can work with 70cm height of water and pumps up to 0,5Hp. It is manufactured in ABS and TPU, the product can resist chemicals and temperature variations for years. The product size is small, so it can be operated conveniently in above ground swimming pools with small pumps/flow rates. Standard autocleaners must have at least 1m height of water in the swimming pool to work. This one can work in swimming pools with a water height lower than 1m. That makes it very convenient for small above ground pools. It can run also with low power pumps.

Code	Standard Packing	Standard Weight kg	Standard Volume m ³
45751	1	8,1	0,061



POOL CLEANING EQUIPMENT

AUTOMATIC SUCTION CLEANERS

	MAX 3	MAX 5	Pulit Advance 3	Pulit Advance 5	Pulit Advance 7	Pulit Advance 7Duo
Code	54439	54440	54445	54446	54447	54448
Floor	Yes	Yes	Yes	Yes	Yes	Yes
Wall	No	Yes	No	Yes	Yes	Yes
Remote Control	No	No	No	No	Yes	Yes
Working Cycle	2h.30	3h.00	1,5h; 2h	1,5h; 2h	1h; 1,5h; 2h	1,5h; 2h; 2,5h
Cable length	18 m	18 m	18 m	18 m	18 m	23 m
Flow Rate	16 m ³ /h	16 m ³ /h	17 m ³ /h	17 m ³ /h	17 m ³ /h	17 m ³ /h
Top access filter panel	Yes					
Extra cleaning system	Max scrubber		Oscillating Brush			Active jets
Basic system	Yes					
Advanced system	No				Yes	
Type of cleaning	Floor	Floor and walls	Floor	Floor, walls and waterline		
Trolley	No	No	No	Yes	Yes	Yes
Transformer	Basic SPS	Basic SPS	SPS 100 - SMART	SPS 100 - SMART	SPS 300	SPS 400
Transformer Protection	IP 54					
Motor Traction	1 x 24V DC	1 x 24V DC	1 x 24V DC brushless	1 x 24V DC brushless	1 x 24V DC brushless	2 x 24V DC brushless
Motor Power	1 x 24V DC	1 x 24V DC	1 x 24V DC brushless	1 x 24V DC brushless	1 x 24V DC brushless	1 x 24V DC brushless
Power	100-259 V / 50-60 Hz / 210 W	100-259 V / 50-60 Hz / 210 W	100-259 V / 50-60 Hz / 210 W	100-259 V / 50-60 Hz / 210 W	100-259 V / 50-60 Hz / 210 W	100-259 V / 50-60 Hz / 210 W



Max 3



New

New pool cleaner for private pools. Elegant and with an exceptional design, the Max 3 pool cleaner removes all dirt from the bottom of pools thanks to its smart electronic components and its efficient Max Scrubber system that scrubs dirt off any surface. It is characterised by its excellent ergonomics, lightweight design, and filters that can be reached from the top. Thanks to its transparent covers, it is easy to tell when the filters need cleaning. It works in 2.5 hour cycles and comes with an 18 m floating cable.

	Code	Standard Packing	Standard Weight kg	Standard Volume m ³
Suction cleaner Max 3	54439	1	15	0.1173



Max 5



New

New pool cleaner for private pools. Elegant and with an exceptional design, the Max 5 pool cleaner removes all dirt from pool bottom and walls thanks to its smart electronic components and its efficient Max Scrubber system that scrubs dirt off any surface. It is characterised by its excellent ergonomics, lightweight design, and filters that can be reached from the top. Thanks to its transparent covers, it is easy to tell when the filters need cleaning. It works in 3 hour cycles and comes with an 18 m floating cable.

	Code	Standard Packing	Standard Weight kg	Standard Volume m ³
Suction cleaner Max 5	54440	1	16	0.1173

AUTOMATIC SUCTION CLEANERS



Pulit Advance 3



New

New pool cleaner for private pools. The Pulit Advance 3 removes all dirt from pool bottoms in record time thanks to the Aquasmart electronic control system and to the effective vibration cleaning brush that scrubs dirt off any surface. Characterised by the most ergonomic top access filters on the market, you will be able to clean them easily without coming into contact with the dirt. It comes with 18 m of floating cable and height-adjustable suction nozzles to ensure it adapts perfectly to any environment. It works in 1.5/2 hour cycles and includes a LED indicator that shows when the filter has to be cleaned.

	Code	Standard Packing	Standard Weight kg	Standard Volume m ³
Suction cleaner Pulit Advance 3	54445	1	17.5	0.1173



Pulit Advance 5



New

New pool cleaner for private pools. The Pulit Advance 5 removes all dirt from the bottom, walls and water line of pools in record time thanks to the Aquasmart electronic control system and to the effective vibration cleaning brush that scrubs dirt off any surface. Characterised by the most ergonomic top access filters on the market, you will be able to clean them easily without coming into contact with the dirt. It works in 1.5/2 hour cycles, has 18 m of floating cable, a LED indicator that shows when the filter has to be cleaned, a caddy, PVA brushes and height-adjustable suction nozzles to ensure it adapts perfectly to any pool.

	Code	Standard Packing	Standard Weight kg	Standard Volume m ³
Suction cleaner Pulit Advance 5	54446	1	20.9	0.1173



Pulit Advance 7



New

New pool cleaner for private pools. The Pulit Advance 7 removes all dirt from the bottom, walls and water line of pools in record time thanks to the Aquasmart electronic control system and to the effective vibration cleaning brush that scrubs dirt off any surface. Characterised by the most ergonomic top access filters on the market, you will be able to clean them easily without coming into contact with the dirt. It works in 1/1.5/2 hour cycles, has a remote control, a timer system, an electronic swivel to avoid cable tangling, 18 m of floating cable, a LED indicator that shows when the filter has to be cleaned, a caddy, PVA brushes and height-adjustable suction nozzles to ensure it adapts perfectly to any pool

	Code	Standard Packing	Standard Weight kg	Standard Volume m ³
Suction cleaner Pulit Advance 7	54447	1	20.9	0.1173



POOL CLEANING EQUIPMENT

AUTOMATIC SUCTION CLEANERS



Pulit Advance 7Duo



New

New pool cleaner for private pools. The Pulit Advance 7Duo removes all dirt from the bottom, walls and water line of pools in record time thanks to the Aquasmart electronic control system and to the effective active jets that scrub dirt off any surface. Characterised by the most ergonomic top access filters on the market, you will be able to clean them easily without coming into contact with the dirt. It works in 1.5/2.5 hour cycles, has a remote control, a timer system, an electronic swivel to avoid cable tangling, 2 drive motors, various programs to adapt the cleaning cycle to different types of pool, 23 m of floating cable, a LED indicator that shows when the filter has to be cleaned, a caddy, PVA brushes and height-adjustable suction nozzles to ensure it adapts perfectly to any pool.

	Code	Standard Packing	Standard Weight kg	Standard Volume m ³
Suction cleaner Pulit Advance 7Duo	54448	1	20.9	0.1173



Tigrus Elec



New

Automatic electric pool bottom for private pools. Great suction capacity and shorter cleaning cycles thanks to a patented touch and turn feature. It saves energy thanks to its efficiency: it consumes half the energy of its competitors (just 65 W). Light and compact power supply with a 230 VAC/50 Hz input and 24 VDC output. It has 4 alternative cleaning cycles, with automatic shut-off: 1, 2, 3 or 4 hours, with LED indicators to show the time selected. With 17 m of floating cable, it can be used in pools up to 8 x 14 m.

	Code	Standard Packing	Standard Weight kg	Standard Volume m ³
Suction cleaner Tigrus Elec	45200	1	11	0.147



Turbo T-Jet



New

- Complete cleaning of any residential pool up to 16 m. long in as little as 1 hour
- Total pool maintenance savings of as much as 75%
- Hoseless, self-contained touch button convenience; works independent of pool's filter
- Acts as secondary pool filtration / circulation system
- Enables reduction of main pool filter system run time by as great as 70%
- Is over 90% more energy efficient than other cleaning systems
- DeepClean™ HydroScrubbing power wash jets clean what and where other cleaners can't
- Virtually wear and tear free operation; No gears, bearings, tracks, brushes to replace ever!
- Massive 34 quart maximum volume capacity traps everything; so your pool filter works less
- Offset vacuum ports provides clog-free operation; separates bunches of leaves
- Customizable debris intake ports for largest width openings and lowest suction points
- NeverStuck™ roller system for stuck-free operation over raised surface obstacles
- Largest capacity reusable filter – more debris with less cleanings
- Free additional filter.
- Industry's healthiest filtration (down to 2 microns) and water circulation (18 m³/h)
- Convenient touch button or fully automatic operation (using your own external timer)
- Digital LED time display with StayCool™ all-weather-resistant power supply
- Lightweight (about 4.5 Kg.) and ultra-durable
- Supported by the largest and leading support network in the industry
- The ideal solution for any hard-surface pool owner looking for long term reliability and durability.

	Code	Standard Packing	Standard Weight kg	Standard Volume m ³
Suction cleaner Turbo T-Jet	55863	1	-	-

AUTOMATIC SUCTION CLEANERS



Jet Max Ultra



New

Recommended for pools up to 200'-77 m.

Advanced features include:

- TRIPLE Pump Motors and TRIPLE Filters make this cleaner the best solution to oversized outdoor pools and heavy bather loads.
- It can clean pools as large as 77m long in half the time as other cleaners.
- At only 22.2 Kg. it weighs less than most cleaners that are half of its size. There's no other cleaner available that weighs as little and performs as well in largest pools.
- Unique scanning pattern allows the machine to fully vacuum any Olympic pool in 1 hour.
- Oversized pools it can clean in as little as 3 hours.
- Perfect for the slopes and curves of Grecian, Kidney-shape, or gradient-walled pools.
- Ideal for uniform depth or sloped Olympic and Jr. Olympic pools.
- Works well with varying depths or dive wells.
- Additional floatation for wall-climbing and steep grades.
- Virtually FREE of consumable "wear and tear" parts.
- The only parts to clean, maintain, or replace are the internal Filter Bags.
- JetDrive Propulsion System uses the water pressure from the Pump to "drive" the unit.
- No Drive Motor needed!
- Obstacle Sensors to detect walls and objects in the pool. Magnetic sensors detect stopped motion.
- Non-scuff, non-marring rubber wheels guide the momentum of the JetDrive Propulsion.
- No Belts or Tracks needed!
- Hydroscrub Power Wash System lifts debris from the floor with pressurized water.
- No Brushes needed
- 46 m floating cable to accommodate the largest pools.
- Complete set of Filter Bags (3 Fine Filter / 3 Mesh Filter) to capture all types of debris.
- 1 Year Warranty on plastics, Power Supply, Cable, and Motor.
- Stay Cool Power Supply with Continuous Running to accommodate the largest pools.
- Adjustable Axle with Directional Guidance Screws to set cleaning pattern for the pool's width.

	Code	Standard Packing	Standard Weight kg	Standard Volume m ³
Suction cleaner Jet Max Ultra	55246	1	-	-

POOL CLEANING EQUIPMENT



Jet Max Turbo



New

Recommended for pools up to 37 m.

JetMAX Turbo unique features include:

- Virtually FREE of consumable "wear and tear" parts.
- 37 floating cable to accommodate the largest pools.
- 1 Year Warranty on plastics, electronics and motors.
- At 19.5 Kg. it is easy to handle, operate and remove from the pool.
- Cleans all commercial pools up to 37 m. long; in half the time of any other cleaner.
- Unique scanning pattern guides the cleaner to fully vacuum most pool floors in about 1 hour.
- Complete set of Filter Bags (1 Fine Filter / 1 Mesh Filter) to capture all types of debris.
- Perfect for the slopes, curls, and curves of Grecian, Kidney-shape, or gradient-walled pools.
- JetDrive Propulsion uses the water pressure from the Pump to move the unit. No Drive Motor needed!
- High-Volume Pump Motor increases cleaner suction, filtration, and Jet Drive propulsion speed.
- Obstacle Sensors to detect walls and objects in the pool. Magnetic sensors detect stopped motion.
- Non-scuff rubber wheels guide the momentum of the JetDrive Propulsion. No Belts or Tracks needed!
- Hydroscrub System power-washes debris from the floor with pressurized water. No Brushes needed!
- Pump has Thermostat Box to regulate temperature, prolong motor life and reduce service costs.
- Optional Pole attachment for manual use. Attach a standard extension pole and use as a manual vacuum

	Code	Standard Packing	Standard Weight kg	Standard Volume m ³
Suction cleaner Jet Max Turbo	55245	1	-	-

POOL CLEANERS PUMPS

Multi-cellular pump for use with automatic cleaners

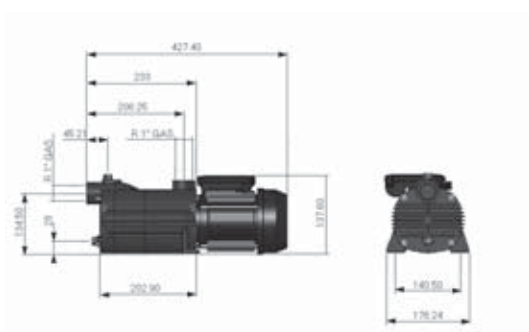
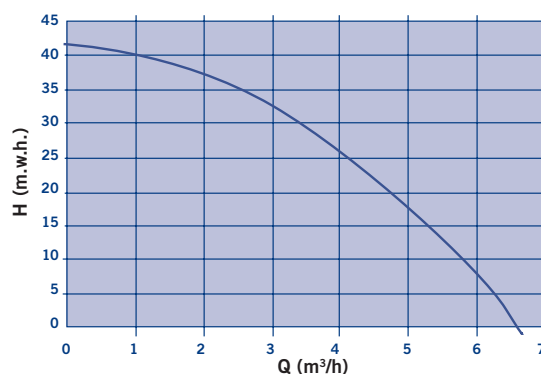


1 HP single phase multi-cellular pump. Pump body in noryl with fibreglass. Shafts and screws in Stainless Steel AISI-316. Mechanical seal in S.S. and Graphite. Motor: protection IP-55, isolation class F, non-stop operation, 2850 r.p.m.

Multi-cellular Pump

Code	Standard Packing	Standard Weight kg	Standard Volume m ³
25452	1	-	-

Performance curves



Ontario pump

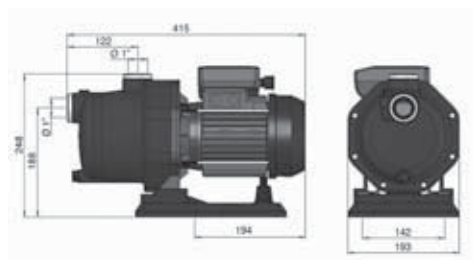
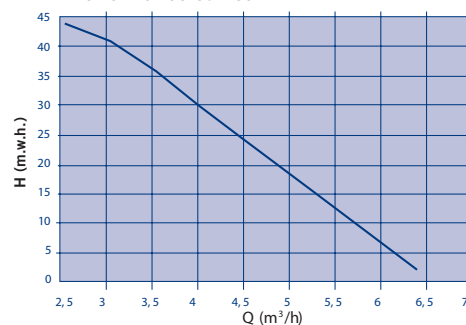


The new multicelular pump has been especially designed for use with pool cleaning equipment, but it is also suitable for domestic irrigation and domestic pressure applications. This small pump is manufactured in plastic, and the metal parts coming into contact with water are made of AISI-316 Stainless Steel. It is fitted with a high pressure, highly resistant pure graphite mechanical seal, making it ideal to withstand extreme working conditions.

1,25" HP Ontario Pump

Code	Standard Packing	Standard Weight kg	Standard Volume m ³
34396	1	7.8	0.049

Performance curves



Pool cleaner pump trolley



In anodized Aluminium pipe and plastic platform 460 mm x 370 mm. Accessories in S.S. AISI-304.

Code	Standard Packing	Standard Weight kg	Standard Volume m ³
04648	1	8.06	0.12

MANUAL SUCTION CLEANERS



Oval model Shark

Manufactured in ABS with a brush made from polypropylene. This model features a hose connection with a choice of two diameters (Ø 32-38 mm). With wing-nut or wishbone fixing.

	Code	Standard Packing	Standard Weight kg	Standard Volume m ³
With wing-nut or wishbone fixing	40997	1	-	-



Oval model

With safety valve to limit suction.

	Code	Standard Packing	Standard Weight kg	Standard Volume m ³
With wishbone fixing	25788	1	-	-



Flexible model Shark

The perfect item for cleaning small particles or sand from the pool bottom. Manufactured in hard-wearing polyethylene (EVA), this model features a hose connection with a choice of two diameters (Ø 32-38). Weight is injected (without caps) which, together with its great flexibility, ensures perfect pool floor cleaning.

	Code	Standard Packing	Standard Weight kg	Standard Volume m ³
With wing-nut or wishbone fixing	36618	1	-	-



Triangular model Shark

Triangular pool cleaner manufactured in ABS with a brush made from polypropylene. This model features a hose connection with a choice of two diameters (Ø 32-38 mm). With wing -nut or wishbone fixing.

	Code	Standard Packing	Standard Weight kg	Standard Volume m ³
With wing-nut or wishbone fixing	36619	1	-	-



Articulated model

For concrete pools. Ideally designed for walls and corners. Brushes made of Polypropylene. 1 1/2" connection. Made of unalterable plastic.

	Code	Standard Packing	Standard Weight kg	Standard Volume m ³
With wing-nut fixing	01349	1	1.0	0.007
With wishbone fixing	01350	1	1.0	0.007

POOL CLEANING EQUIPMENT

MANUAL SUCTION CLEANERS

Anodised aluminium vac-head



For wing-nut fixing:

350 mm for 1½" hose
450 mm for 2" hose
450 mm for 1½" hose

For wishbone fixing:

350 mm for 1½" hose
450 mm for 2" hose

Code	Standard Packing	Standard Weight kg	Standard Volume m³
01353	4	11.8	0.04
01354	4	15.5	0.06
08661	4	15.5	0.06
01355	4	11.8	0.04
01356	4	15.5	0.06



Shark injected aluminium pool cleaner

Pool cleaner made of injected aluminium and plastic. Connections of Ø 32-38 mm for Ø 1 ½ hoses.

Shark handle attachment by means of clip and bracket.



Code	Standard Packing	Standard Weight kg	Standard Volume m³
41625	4	6.5	0.035



Double length metal vac-head

In polished anodized aluminium and chromed brass. 2" connection, length 800 mm. Telescopic handle and cable models (cable not included). The float line cable 00210 can be used.

Trailed via cable
Touse with handle with wing-nut fixing

Code	Standard Packing	Standard Weight kg	Standard Volume m³
01357	1	13.0	0.03
16601	1	10.2	0.03



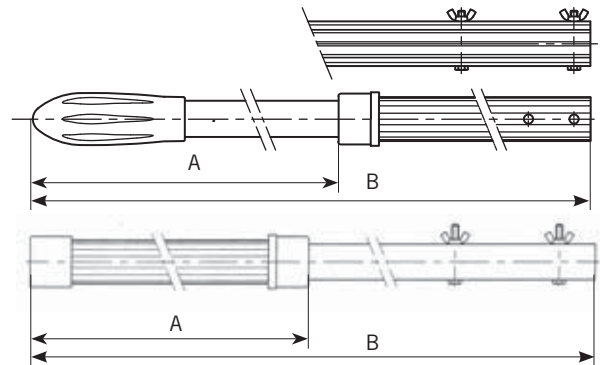
Anodised aluminium and chromed brass vac-head

Inner connection for 1½" hose and outer for 2" hose. S.S. connecting fork. Wing-nut fixing. Length 442 mm.

Code	Standard Packing	Standard Weight kg	Standard Volume m³
01358	4	13.6	0.05

HANDLES

Connection system	C.A	C.A - Wishbone					C.A. Wing-nut						
Code	01365	38422	38423	38424	38425	01359	01360	01361	01362	01363	01364	15838	
A		1.8	2.4	2	2.5	2	2.5	2.5	5	6.5		3.75	
B	2.5	3.6	4.8	4	5	4	5	5	10	13	2.5	7.5	
Telesc.	Normal		•	•	•	•	•						
	Reinforced							•	•	•		•	
FIXED	•										•		



For wing-nut fixing

Aluminium fixed length 2.5 m.

Code	Standard Packing	Standard Weight kg	Standard Volume m ³
01364	20	11.4	0.06



For wishbone fixing

Aluminium fixed length 2.5 m.

Code	Standard Packing	Standard Weight kg	Standard Volume m ³
01365	12	10.2	0.06



Telescopic poles for wing-nut fixing

Aluminium, telescopic 2 - 4 m
Aluminium, telescopic 2.5 - 5 m

Code	Standard Packing	Standard Weight kg	Standard Volume m ³
01359	12	13.4	0.05
01360	12	16.2	0.06



Telescopic poles for wing-nut or wishbone fixing Shark series

From 1.8 m up to 4.8 m.

Aluminium, telescopic 1.8 - 3.6 m
Aluminium, telescopic 2.4 - 4.8 m

Code	Standard Packing	Standard Weight kg	Standard Volume m ³
38422	10	11.7	0.05
38423	10	14.4	0.06



Telescopic poles for wing-nut or wishbone fixing Shark series

From 2 m up to 5 m.

Aluminium, telescopic 2 - 4 m
Aluminium, telescopic 2.5 - 5 m

Code	Standard Packing	Standard Weight kg	Standard Volume m ³
38424	12	13.6	0.05
38425	12	16.4	0.06



HANDLES



For wing-nut connection - reinforced, telescopic

	Code	Standard Packing	Standard Weight kg	Standard Volume m ³
Reinforced, telescopic 5 m in aluminium	01361	5	16.0	0.04
Reinforced, telescopic 7.5 m in aluminium	15838	1	6.0	0.01
Reinforced, telescopic 10 m in aluminium	01362	1	6.5	0.02
Reinforced, telescopic 13 m in aluminium	01363	1	8.4	0.02



Handle adapter

For converting wing-nut fixing system to wishbone fixing system.

	Code	Standard Packing	Standard Weight kg	Standard Volume m ³
Adapts the wishbone connection handle to wing nut	14592	48	3.36	0.012
Adapts the wing nut connection handle to wishbone	08465	40	3	0.011
Adapts the reinforced wing nut connection handle to wishbone	17937	38	2.66	0.012

SUCTION HOSES



Hose connectors

	Code	Standard Packing	Standard Weight kg	Standard Volume m ³
Ø 38 mm for connections to inlets 16328, 16329, 16330, in white ABS	05684	12	1.0	0.003
Ø 50 mm connections to inlets 00315, grey PP	01392	12	1.0	0.006



Hose fitting

White ABS plastic.

	Code	Standard Packing	Standard Weight kg	Standard Volume m ³
For Ø 38 mm hose, male thread 1½"	01393	12	1.0	0.006

SUCTION HOSES



Floating suction hose

Transparent blue Polyethylene hose.

Ø 38 mm (1½")
Ø 50 mm (2")

Code	Standard Packing	Standard Weight kg	Standard Volume m³
01372	30 m	8.0	0.108
01373	30 m	14.0	0.192



Floating suction hose

Blue plastic. Includes connecting cuffs., except in the 30 m hose (01374, 01379).

Ø 38 mm (1½")
30 m
15 m
12 m
10 m
8 m
Ø 50 mm (2")
30 m

Code	Standard Packing	Standard Weight kg	Standard Volume m³
01374	1	12.0	0.192
01375	1	5.6	0.192
01376	1	4.5	0.192
01377	1	3.0	0.192
01378	1	3.0	0.192
01379	1	15.0	0.240



Hose cuffs

Made in blue PVC
For Ø 38 mm (01372) hose
Only for vac inlets 24415
For Ø 38 mm hose (01372)
For Ø 50 mm hose (01373)
Made in flexible white PVC
For Ø 38 mm hose (01374-01375
01376-01377-01378)
For Ø 50 mm hose (01379)

Code	Standard Packing	Standard Weight kg	Standard Volume m³
07958	12	2.0	0.003
01385	12	2.0	0.003
01386	12	3.0	0.010
01387	12	2.0	0.030
01388	12	3.0	0.010

LEAF SKIMMERS



Water surface model with 1.3 m handle

Including white Polypropylene frame and Polyester net. Push fit aluminium handle.

	Code	Standard Packing	Standard Weight kg	Standard Volume m ³
Shallow net Surface model	01400	12	8.0	0.150



Deep water leaf skimmers Shark series

Manufactured in blue Polypropylene. The Polyester net is welded to the skimmer frame, ensuring greater strength. Its long design maximises collection along the float line.

	Code	Standard Packing	Standard Weight kg	Standard Volume m ³
With wing-nut or wishbone fixing	36614	1	-	-



Water surface leaf skimmer Shark series

Manufactured in blue Polypropylene. The Polyester net is welded to the skimmer frame.

	Code	Standard Packing	Standard Weight kg	Standard Volume m ³
With wing-nut or wishbone fixing	36613	1	-	-



Aluminium leaf net model

With white Aluminium frame and Polyester white net. With wishbone fixing.

	Code	Standard Packing	Standard Weight kg	Standard Volume m ³
Water surface model	23360	14	8.4	0.103
Deep water model	23361	14	8.5	0.103

BRUSHES

Straight Brush 180 mm



With handle.

Code	Standard Packing	Standard Weight kg	Standard Volume m ³
09456	14	6.1	0.177

Straight brush 165 mm



Stainless Steel bristles with Aluminium support.

With wishbone fixing

Code	Standard Packing	Standard Weight kg	Standard Volume m ³
01407	20	9.0	0.018

Hand held brush



White Polypropylene support and black bristles. Ideal for water line cleaning.

Code	Standard Packing	Standard Weight kg	Standard Volume m ³
11789	20	3.5	0.027

Pool bottom brush Shark series



Ideal for cleaning the pool floor, due to its large size and special design.

With wing-nut or wishbone fixing

Code	Standard Packing	Standard Weight kg	Standard Volume m ³
36615	1	-	-



BRUSHES



Wall brush Shark series

The angle between the bristles and the handle has been reduced in order to make a brush which adapts to the pool wall, allowing effort-free cleaning.

With wing-nut or wishbone fixing

Code	Standard Packing	Standard Weight kg	Standard Volume m ³
36616	1	-	-



Pool corner suction brush Shark series

Especially designed for pool corners, this brush features a practical connection to a suction hose.

With wing-nut or wishbone fixing

Code	Standard Packing	Standard Weight kg	Standard Volume m ³
36617	1	-	-



SPOT-EX water-line eraser

Especially designed to erase scum line stains. With telescopic handle adaptor.

With wishbone fixing

Code	Standard Packing	Standard Weight kg	Standard Volume m ³
16391	1	0.4	0.005

CLEANING KITS

Cleaning kit n° 1



Kit n° 1

Includes:

- 1 Deep water net (01397)
- 1 Brush (18"), with wishbone fixing (11035)
- 1 Analyser Kit (15196)
- 1 Flexible manual cleaner, with wishbone fixing (07429)
- 1 Dolphin Thermometer (08318)

Code	Standard Packing	Standard Weight kg	Standard Volume m ³
28516	5	13.7	0.15

Cleaning kit n° 2



Kit n° 2

Includes:

- 1 Deep water net (01397)
- 1 Brush (18"), with wishbone fixing (11035)
- 1 Analyser Kit (15196)
- 1 Dolphin Thermometer (08318)
- 1 Triangular manual cleaner, with wishbone fixing (07430)

Code	Standard Packing	Standard Weight kg	Standard Volume m ³
28834	4	9.4	0.15

Cleaning kit n° 3



Kit n° 3

Includes:

- 1 Deep water net (01397)
- Brush (18"), with wishbone fixing (11035)
- 1 Analyser Kit (15196)
- 1 Dolphin Thermometer (08318)
- 1 Oval manual cleaner with wishbone fixing (07084)

Code	Standard Packing	Standard Weight kg	Standard Volume m ³
28835	4	10.2	0.15

POOL CLEANING EQUIPMENT

HYDROCLEANERS

Water Hydrocleaners up to 40° - PO W 622X



150 EW Bar portable hydrocleaner. Portable for garden cleaning jobs and maintenance of the pool area. 5 m pressure hose. Detergent dispensing bottle. 2 interchangeable jets. Maximum water temperature 40°C.

Technical features:

Q l/h	Ø	W	Voltage
390	150	1600	230-50

	Code	Standard Packing	Standard Weight kg	Standard Volume m ³
POW 6252	32986-2450	1	9	0.04



Water Hydrocleaners up to 40° - PO W 624

160 EW Bar portable hydrocleaner. For garden cleaning jobs and maintenance of the pool area. 6 m pressure hose. Detergent injection system. Rack to hang accessories. 2 interchangeable jets. 1 rotating brush. "Start-Stop" switch on the pistol. Maximum water temperature 40°C.

Technical features:

Q l/h	Ø	W	Voltage
360	160	1700	230-50

	Code	Standard Packing	Standard Weight kg	Standard Volume m ³
POW 6225	32987-2450	1	13	0.06

POOL LIGHTING & ORNAMENTAL FEATURES



- 302 • AstralPool Signature LED lighting
- 303 • LED lighting
- 309 • LED control systems
- 311 • Halogen lights
- 316 • Halogen lights for fountains and ponds
- 317 • Lamps for halogen lights
- 318 • Connection boxes
- 319 • Accessories
- 319 • Fibre optics lighting
- 323 • AstralPool Signature ornamental water features
- 324 • Water games and Ornamental water features
- 335 • Countercurrent swimming equipment: Swimtrainer
- 336 • Countercurrent swimming equipment: Marlin
- 346 • "Aquarmony" underwater musical system



LED LIGHTING



The LumiPlus by LEDs lighting system provides the colour ambience that you desire at each moment for your pool or aquatic installation. It is made up of the LED light, the remote control, a reception terminal and a transformer which are supplied separately.

The LEDs have a lifespan of 100,000 h compared to the 1,000 h of conventional lamps and each LED projector results in a saving of more than a 90% in electricity consumption.

The LED light incorporates LEDs of maximum luminosity in red, blue and green. The combination of these basic colours gives place to an infinity of different colours, all very bright and vivid.

For new-build pools, either concrete, pre-fabricated or panelled, you can choose among several models.

For an existing installation it is not necessary to change the transformer or the wiring. The current niche can be re-used by changing the conventional lamp for a LED light without niche or for a PAR 56 lamp, in any kind of pool.

The LED lights Jelly, LumiPlus PAR56, S-Lim, Mini, Micro, Standard for Fountains, Linear and Mini Quadraled are supplied with a 2.5 m cable. The PAR56 lamps which are supplied without cable.

The LumiPlus range has 3 different lighting control systems:

LumiPlus RGB ECO - Economical connection system which incorporates a N/C switch and a safety transformer.

With each button press, the colour or the program are changed. It offers a range of 7 colours and 7 colour-change sequences.

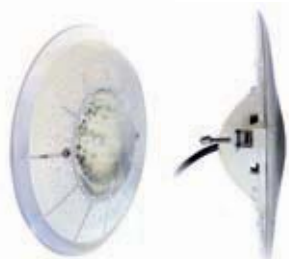
LumiPlus RGB TOP - Based on the LumiPlus modulator, which extends the number of colours and sequences. You can turn the projector on and off, change its 12 colours and 8 sequences, the speed of the sequences and the timing of the shutdown.

The modulator has an antenna with a range of 50 m which receive the LumiPlus remote control signal.

LumiPlus RGB DMX - For total & accurate control of lighting, allows the use of lights with DMX adaptation and DMX control, allowing the control of all the lightning sequences independently, achieving more than 16,000.000 colours and millions of sequences.



ASTRALPOOL SIGNATURE LED LIGHTING



Jelly LED light



12V AC – 50Hz – IPX8

New

LED light without niche that has been uniquely designed by Giugiaro (Italdesign). It can be installed on any new pool, or an existing pool providing you have installed an AstralPool Standard niche.

The Jelly LEDs are guaranteed for 5 years and are part of the AstralPool Signature range. They are supplied without niche. Light diameter is 338 mm.

Jelly RGB light without niche (35 W - 1100 lumens)

Jelly LED without niche for fixing to a standard niche

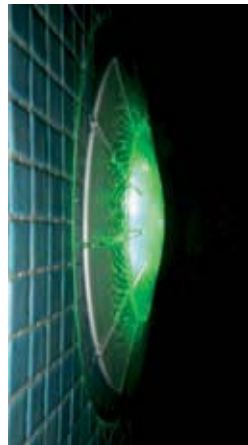
Code	Standard Packaging	Standard Weight kg	Standard Volume m ³
------	--------------------	--------------------	--------------------------------

56007	4	12.20	0.122
-------	---	-------	-------

Jelly White light without niche (24 W - 1485 lumens)

Jelly LED without niche for fixing to a standard niche

52606	4	12.20	0.122
-------	---	-------	-------



GIUGIARO
DESIGN

Luxeon® **inside**

LED LIGHTING

LumiPlus PAR56 2.0



70W - 12V AC – 50Hz – IPX8

New range of LED lights which have evolved from the LumiPlus range. The LumiPlus 2.0 light offers 3 times higher light intensity and greater energy efficiency. The LumiPlus 2.0. The increase of the luminosity optimizes the installations. For DMX installations a modulator 41107 must be used. A Standard niche must be purchased separately in order to complet a projector serie LumiPlus or Global.

	Code	Standard Packaging	Standard Weight kg	Standard Volume m ³
RGB LIGHT. Lamp PAR56 2.0 (2544 lumens)				
Lamp PAR56 RGB 2.0	43411	6	7.50	0.015
Lamp PAR56 RGB DMX 2.0	45637	6	7.50	0.015
LED without niche PAR56 2.0 (2544 lumens)				
For fixing to a standard niche, faceplate in ABS	45619	4	10.60	0.069
For fixing to a standard niche, faceplate in S.S.	45620	4	12.20	0.069
DMX light for fixing to a std. niche, faceplate in ABS	45640	4	10.60	0.069
DMX light for fixing to a std. niche, faceplate in S.S.	45641	4	12.20	0.069
Global fixing, faceplate in ABS	53841 New	4	10.60	0.069
DMX. Global fixing, faceplate in ABS	53843 New	4	10.60	0.069
WHITE LIGHT. Lamp PAR56 2.0 (4320 lumens)				
White lamp PAR56 2.0	43412	6	7.50	0.015
Light without niche PAR56 2.0 (4320 lumens)				
For fixing to a standard niche, faceplate in ABS	45621	4	10.60	0.069
For fixing to a standard niche, faceplate in S.S.	45622	4	12.20	0.069
Global fixing, faceplate in ABS	53840 New	4	10.60	0.069
NICHES				
Standard niche for concrete pools	00349	6	4.66	0.069
Standard niche for concrete pools with inserts	00364	6	6.24	0.069
Standard niche for panel pools with inserts	23671	4	8.88	0.069
Standard niche for panel pools without inserts	23670	4	8.88	0.069



Global fixing System

New

New range of LumiPlus, for all type of pools (included sea water), is manufactured in plastic. The screws and anchors are also made in plastic material, and they are compatible with all Astralpool niches as well as with all niches with a diameter from 223 mm to 239 mm from the market. A niche must be purchased separately. **Suitable for sea water.**



LumiPlus S-Lim 2.11



12V AC – 50Hz – IPX8

New

New S-Lim projector LED 2.11 of reduced dimensions and a flat front design providing a better distribution of light in the pool. For DMX installations a modulator 41107 should be used. Niche installation is not required.

	Code	Standard Packaging	Standard Weight kg	Standard Volume m ³
RGB LIGHT (70 W - 2544 lumens)				
Concrete pool / ABS face plate	56010	6	9.20	0.035
Concrete pool / S.S. face plate	56011	6	9.20	0.035
Prefabricated pool / ABS face plate	56012	6	9.30	0.035
Prefabricated pool / S.S. face plate	56013	6	9.30	0.035
DMX Concrete pool / ABS face plate	56014	6	9.20	0.035
DMX Concrete pool / S.S. face plate	56015	6	9.20	0.035
DMX Prefabricated pool / ABS face plate	56016	6	9.30	0.035
DMX Prefabricated pool / S.S. face plate	56017	6	9.30	0.035
WHITE LIGHT (70 W - 4320 lumens)				
Concrete pool / ABS face plate	56018	6	9.20	0.035
Concrete pool / S.S. face plate	56019	6	9.20	0.035
Prefabricated pool / ABS face plate	56020	6	9.30	0.035
Prefabricated pool / S.S. face plate	56021	6	9.30	0.035



LED LIGHTING



LumiPlus PAR56 1.11



12V AC – 50Hz – IPX8

New

New range of LED lights which have evolved from the Lumiplus range. LumiPlus RGB PAR56 1.11 achieves power consumption reduction of 40% over the previous version. New LED RGB 1.11 is launched in ABS plastic or stainless steel plates. For DMX installations a modulator 41107 should be used. A standard niche must be purchased separately.

	Code	Standard Packaging	Standard Weight kg	Standard Volume m ³
RGB LIGHT				
Lamp PAR56 1.11 (35 W - 1100 lumens)				
Lamp PAR56 1.11 RGB	56001	6	7.50	0.015
Lamp PAR56 1.11 RGB DMX	56002	6	7.50	0.015
Light without niche PAR56 1.11 (1100 lumens)				
For fixing to a standard niche, faceplate in ABS	56003	4	10.60	0.069
For fixing to a standard niche, faceplate in S.S	56004	4	12.20	0.069
DMX light for fixing to a std. niche, faceplate in ABS	56005	4	10.60	0.069
DMX light for fixing to a std. niche, faceplate in S.S	56006	4	12.20	0.069
Global fixing, faceplate in ABS	53838	4	10.60	0.069
DMX. Global fixing, faceplate in ABS	53842	4	10.60	0.069
WHITE LIGHT				
Lamp PAR56 1.11 (24 W - 1485 lumens)				
Lamp PAR56 1.11 White	52596	6	7.50	0.015
Light without niche PAR56 1.11 (1485 lumens)				
For fixing to a standard niche, faceplate in ABS	52599	4	10.60	0.069
For fixing to a std. niche, faceplate in S.S	52600	4	12.20	0.069
Global fixing, faceplate in ABS	53839	4	10.60	0.069

NICHES

Standard niche for concrete pools	00349	6	4.66	0.069
Standard niche for concrete pools with inserts	00364	6	6.24	0.069
Standard niche for panel pools with inserts	23671	4	8.88	0.069
Standard niche for panel pools without inserts	23670	4	8.88	0.069

LumiPlus S-Lim 1.11



12V AC – 50Hz – IPX8

New

New projector LED S-Lim 1.11 of reduced dimensions and a flat front design provides a better distribution of light in the pool. This new range, the RGB version is reduced by 40% in electricity consumption over the previous range. For DMX installations a modulator 41107 should be used. Niche installation is not required.

	Code	Standard Packaging	Standard Weight kg	Standard Volume m ³
RGB LIGHT (35 W - 1100 lumens)				
Concrete pool / ABS face plate	56022	6	9.20	0.035
Concrete pool / S.S. face plate	56023	6	9.20	0.035
Prefabricated pool / ABS face plate	56024	6	9.30	0.035
Prefabricated pool / S.S. face plate	56025	6	9.30	0.035
DMX Concrete pool / ABS face plate	56026	6	9.20	0.035
DMX Concrete pool / S.S. face plate	56027	6	9.20	0.035
DMX Prefabricated pool / ABS face plate	56028	6	9.30	0.035
DMX Prefabricated pool / S.S. face plate	56029	6	9.30	0.035
WHITE LIGHT (24 W - 1485 lumens)				
Concrete pool / ABS face plate	56030	6	9.20	0.035
Concrete pool / S.S. face plate	56031	6	9.20	0.035
Prefabricated pool / ABS face plate	56032	6	9.30	0.035
Prefabricated pool / S.S. face plate	56033	6	9.30	0.035

LED LIGHTING



LED lights in stainless steel



New

Completely LED projector range in stainless steel AISI-316 and supplied with 2.5 m cable. Threaded gland connection PG16 with converter PG16 to M25. Rim screwed directly to niche with screws. To complete project installation, niche is necessary to be acquired separately.

	Code	Standard Packaging	Standard Weight kg	Standard Volume m ³
Light without niche PAR56				
Ø 250 mm faceplate				
LED BULB 2.0 PAR56 70W				
2.0 RGB (2544 lumens)	54092	1	2.37	0.013
2.0 White (4320 lumens)	54093	1	2.37	0.013
LED BULB 1.11 PAR56 24W 12V AC 50 Hz IPX8				
1.11 RGB (1100 lumens - 35W)	54094	1	2.37	0.013
1.11 White (1260 lumens - 24W)	54095	1	2.37	0.013
Light without niche PAR56				
Ø 295 mm faceplate				
LED BULB 2.0 PAR56 70W 12V AC 50 Hz IPX8				
2.0 RGB (2544 lumens)	54097	1	2.60	0.020
2.0 White (4320 lumens)	54098	1	2.60	0.020
LED BULB 1.11 PAR56 24W 12V AC 50 Hz IPX8				
1.11 RGB (1100 lumens - 35W)	54099	1	2.60	0.020
1.11 White (1260 lumens - 24W)	54100	1	2.60	0.020
Niche for Concrete pool	54102	1	1.72	0.013
Niche for liner pool	54103	1	2.16	0.013

LumiPlus Mini 2.11



12V AC – 50Hz – IPX8

New

Range of LumiPlus Mini LED 2.11 with higher intensity than the old model and better efficiency. All Minis, RGB, RGB DMX and white light are supplied with 2 wire-cable H07RN-F 2.5 meters length and can be connected directly to 12 V AC. Easy installation. Mini LED RGB and RGB DMX have a consumption of 5,5W, and Mini LEDs white light consume 9W. In DMX installations the DMX Power Supply 52142 is required. The niche must be purchased separately.

	Code	Standard Packaging	Standard Weight kg	Standard Volume m ³
RGB LIGHT (186 lumens)				
ABS faceplate, quick connection to Ø63 conduit	52124	4	6.08	0.009
S.S. faceplate quick connection to Ø63 conduit	52125	4	6.08	0.009
For spas and prefab. pools, ABS faceplate	52126	4	5.20	0.009
For spas and prefab. pools, S.S. faceplate	52127	4	5.20	0.009
Without niche, ABS faceplate	52128	4	6.50	0.022
Without niche, S.S. faceplate	52129	4	6.50	0.022
DMX, quick connection to Ø63 mm conduit, ABS faceplate	52136	4	6.08	0.009
DMX, quick connection to Ø63 mm conduit / S.S faceplate	52137	4	6.08	0.009
DMX, For spas and prefab pools, ABS faceplate	52138	4	5.20	0.009
DMX, For spas and prefab pools, S.S faceplate	52139	4	5.20	0.009
DMX, without niche, ABS faceplate	52140	4	6.50	0.022
DMX, without niche, S.S faceplate	52141	4	6.50	0.022
WHITE LIGHT (315 lumens)				
Quick connections, wall conduit Ø 63	52130	4	6.08	0.009
Quick connections, wall conduit Ø 63 / Faceplate in S.S.	52131	4	6.08	0.009
For Spa's and prefabricated pools	52132	4	5.20	0.009
For Spa's and prefabricated pools / Faceplate in S.S.	52133	4	5.20	0.009
Projector for niche	52134	4	6.50	0.022
Projector for niche / faceplate in S.S.	52135	4	6.50	0.022



LED LIGHTING



Niches for LumiPlus Mini



	Code	Standard Packaging	Standard Weight kg	Standard Volume m ³
Niche for concrete pools	06967	4	4.20	0.022
Niche for prefabricated pools	00369	4	4.20	0.022
Niche for panel pools	49828	4	4.20	0.022
Wall conduit concret pools for Projectors quick connection Ø 59.3 m	15661	15	4.2	0.040
Front Ø 59.3 mm solvent internal for returns suitable for gluing in to quick connections MiniLEDs	15660	15	5.6	0.040



LumiPlus Micro



12V AC – 50Hz – IPX8

Available with RGB (colours) or White. Quick connections for pools and spas. The RGB has a consumption of 5 W and must be installed with control unit 32640. For DMX installations a 41106 is to be used. White lights have a consumption of 9 W and can be connected to a 12 V transformer.

	Code	Standard Packaging	Standard Weight kg	Standard Volume m ³
RGB - quick connection / with face plate ABS	38815	4	4.7	0.009
RGB - quick connection / with face plate S.S.	38817	4	4.7	0.009
RGB - for spas / with face plate ABS	35275	4	4.7	0.009
RGB - for spas / with face plate S.S.	35276	4	4.7	0.009
White - quick connection / with face plate ABS	38814	4	4.7	0.009
White - quick connection / with face plate S.S.	38816	4	4.7	0.009
White - for spas / with face plate ABS	40765	4	4.7	0.009
White - for spas / with face plate S.S.	40766	4	4.7	0.009



LumiPlus Standard for Fountains



12V AC – 50Hz – IPX8

New

LED RGB or White light. They must always be installed fully submerged in water. Can be adjusted to face any direction. If a DMX installation a 41107 is to be used.

	Code	Standard Packaging	Standard Weight kg	Standard Volume m ³
RGB (35W - 1100 lumens)	56008	4	11.79	0.086
RGB DMX (60W - 1116 lumens)	56009	4	11.79	0.086
WHITE light (24W - 1485 lumens)	52607	4	11.79	0.086

LED LIGHTING



Starlight wireless LED lights



New

Rechargeable wireless LED lighting for indoor and outdoor use. Even floats on water surfaces. An infrared remote control to colour changing mode is included. Choice of 16 different colours. StarLight works with a low-consumption LED technology. Battery lasts until 20 hours. Charger is supplied with product.

	Code	Standard Packaging	Standard Weight kg	Standad Volume m ³
StarLight Altair Oval shape 290 x 320 mm	53937	1	3	0.050
StarLight Sirio Circle shape Ø 350 mm	53938	1	3	0.051
StarLight Vega Oval shape 350 x 270 mm	53939	1	3	0.051

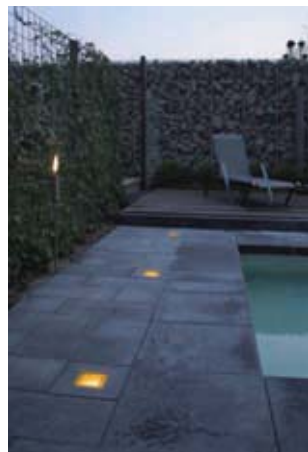
Brick LED lights



New

The new range of Brick LED lights designed for decoration. Intended to illuminate paths, gardens, etc. Compatible with the lumipus modulator and remote control. The lights consist of a glass body with anti-vandal resistance, sealed to ensure a watertight IP68. Comes with a galvanized steel niche for easy installation. The RGB projector has 3 LEDs: one red, one green and one blue.

	Code	Standard Packaging	Standard Weight kg	Standad Volume m ³
Brick Light LED RGB Square	45716	4	8.25	0.047
Brick Light LED RGB Round	45717	4	8.25	0.047



LED LIGHTING



Lineal Spotlight



12V AC – 50Hz – IPX8

Spotlight specially designed to install in fountains, waterfalls or water facilities, gardens, building and walls lighting, etc. Available in lengths of 50 cm and 100 cm. It rotates 210°. Suitable for bathroom walls. DMX spotlights with DMX modulator 41107 are required in DMX installations.

Made of aluminium with anti-rust finish and supplied with 3m of cable, plugs and screws for fixing to the floor.

	Code	Standard Packaging	Standard Weight kg	Standard Volume m ³
RGB LIGHT				
Lineal 50 cm	41636	1	5.28	0.031
Lineal 100 cm	41627	1	8.00	0.031
Lineal 50 cm. DMX	41638	1	5.28	0.031
Lineal 100 cm. DMX	41629	1	8.00	0.031
WHITE LIGHT				
Lineal 50 cm	41637	1	5.28	0.031
Lineal 100 cm	41628	1	8.00	0.031



Mini Quadraled



12V AC – 50Hz – IPX8

New

Customised lighting in water and outdoor facilities.

New lighting using LED technology for any type of water or outdoor facility. The Mini Quadraled is an ideal outdoor spotlight. They can be installed indoors or outdoors and submerged in fresh water. They can be used to create custom-lit environments of either one fixed colour or an automatic sequence of colours. They can be synchronised with the AstralPool LumiPlus range of lighting products.

- RGB, white light and RGB DMX versions with the possibility of projecting one fixed colour or an automatic sequence of colours in the case of the RGB range.
- The Mini Quadraled is available in versions with 1, 2, 3 or 4 rotating spotlights.
- In the case of white light floodlights, the connection is made through a safety transformer with a 12 V AC output. In the case of RGB and DMX lights, the connection is made through feeders, code numbers 32640 and 41106 respectively.

	Code	Standard Packaging	Standard Weight kg	Standard Volume m ³
RGB LIGHT				
Mini Quadraled 1 Lens	52143	1	1.60	0.021
Mini Quadraled 2 Lens	52144	1	3.25	0.021
Mini Quadraled 3 Lens	52145	1	4.92	0.027
Mini Quadraled 4 Lens	52146	1	7.00	0.027
DMX. Mini Quadraled 1 Lens	52151	1	1.60	0,021
DMX. Mini Quadraled 2 Lens	52152	1	3.25	0,021
DMX. Mini Quadraled 3 Lens	52153	1	4.92	0,027
DMX. Mini Quadraled 4 Lens	52154	1	7.00	0,027
WHITE LIGHT				
Mini Quadraled 1 Lens	52147	1	1.60	0.021
Mini Quadraled 2 Lens	52148	1	3.25	0.021
Mini Quadraled 3 Lens	52149	1	4.92	0.027
Mini Quadraled 4 Lens	52150	1	7.00	0.027



LEDs PAR38 lamp



40W - 12V AC – 50Hz – IPX8

LED Lamp with E27 thread. Should always be totally submerged in water.

	Code	Standard Packaging	Standard Weight kg	Standard Volume m ³
White LED lamp	37661	6	3.70	0.013

LED CONTROL SYSTEMS

Colorplus ECO



Economical connection system which incorporates a N/C switch that allows to control up to 15 lights and a safety transformer. Transformer must always be adapted to the quantity of lights installed and their consumption. For example, a 300w transformer is needed to feed 5 lights of 60W. The transformer must always provide 12V AC out. With each button press, the colour or the program are changed. Colorplus ECO offers a range of 7 colours and 7 colour-change sequences.

Code	Standard Packaging	Standard Weight kg	Standad Volume m ³
32458	1	0.54	0.002

Colorplus TOP



LumiPlus receiver-module which expands the number of colours and sequences of the lights. You can control the lights on and off, change 12 colours and 8 sequences, the speed of the sequences and timing of the shutdown.

The module has an antenna with a range of 50m which receives the signal from the LumiPlus remote control. A control unit is necessary for lights RGB Mini, Micro and Mini Quadraled. It controls up to 4 units and includes a transformer.

	Code	Standard Packaging	Standard Weight kg	Standad Volume m ³
Receiver-module for LumiPlus	27818	12	5.50	0.029
Remote Control for LumiPlus	41988	24	4.80	0.029
Control Unit for old LumiPlus MINI RGB	32640	10	3.46	0.021



LED CONTROL SYSTEMS

Colorplus DMX



Control system makes it possible to create lighting scenes in fountains and large aquatic areas, by singling out lights individually or in groups. Total control system lighting by means of a PC or through a programmable, autonomous module.
Includes the Astral DMX module (USB-DMX interface) and intuitive software, which gives the user total control over a projector or group of projectors. Makes it possible to choose a desired colour from among more than 16 million colours. The system is the ideal solution for creating practically indefinite scenes with spectacular results.
Two Systems available: the Astral DMX that controls lighting and the Astral DMX Pro that controls lighting and synchronizes light and music.

	Code	Standard Packaging	Standard Weight kg	Standard Volume m ³
Software / controller Astral DMX	41329	1	0.46	0.0035
Software / controller Astral DMX Pro (allows synchronization with music)	41330	1	0.46	0.0035
DMX power supply (For lights Mini, Micro and Quadraled)	41106	1	1.40	0.0065
Quadraled LED RGB DMX light 2.0 - controls upto 9 lights	52142 New	1	0.40	0.0018
Modulator DMX (For LumiPlus range and Lineal)	41107	1	0.40	0.0018
DMX touch screen	51297 New	1	0.40	0.0050

NOTE: all LED spotlights described previously can be included in a DMX installation, as long as they have DMX extension, except from Mini, Micro o Mini Quadraled that must simply be RGB. Mini Quadraled must be connected to DMX 41106 power supply.

Underwater connection kit



The kit has all the necessary components to carry out any watertight connection. Due to the properties of the product, the resin seals all gaps. Maximum safety, easy installation, in 2 hours it is ready to be submerged.

	Code	Standard Packaging	Standard Weight kg	Standard Volume m ³
Kit for Ø 13 to 15 mm cables	32803	1	0.3	0.002
Kit for Ø 8 to 12 mm cables	35661	1	0.3	0.002

HALOGEN LIGHTS

Standard light



Supplied with niche for embedding into the pool wall. Manufactured in PS plastic. PAR 56 300 W-12 V halogen lamp. The niche allows the option of a cable to pass through the side or the back, with M-25 threads. The standard light is supplied without a transformer.

Code	Standard Packaging	Standard Weight kg	Standard Volume m ³
07838	4	8.60	0.072
07838CL071	4	8.60	0.072
07844	4	12.60	0.069

PREFABRICATED POOLS

Without cable

With white ABS faceplate
With blue ABS faceplate

With 2.5 m cable of 2x6 mm²

With white ABS faceplate

PREFABRICATED POOLS

Supplied with niche, adhesive gaskets, ABS flange and screws. Housing made of Polypropylene + fibreglass. 300 W, 12 V bulb. On special order S.S. flanges can be supplied.

Without cable

With white ABS faceplate

With 2.5 m cable of 2 x 6 mm²

With white ABS faceplate

Code	Standard Packaging	Standard Weight kg	Standard Volume m ³
07852	4	10.32	0.069
07856	4	13.80	0.069

NICHES

CONCRETE POOLS:

For embedding into the pool wall. Manufactured in PS plastic. Allows the option of a cable to pass through the side or the back with M-25 threads. Niches for the Standard lights (codes 07837,07838, 07843 and 07844). These niches are provided without cable.

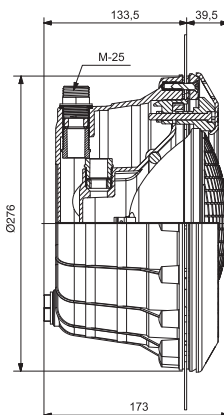
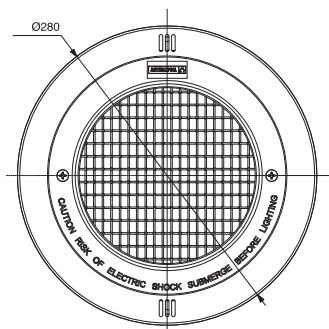
Code	Standard Packaging	Standard Weight kg	Standard Volume m ³
00349	6	4.66	0.068

PREFABRICATED POOLS:

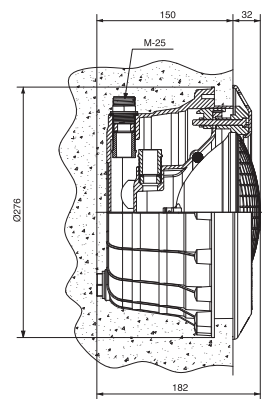
With flange, adhesive gaskets and screws. ABS flange. Supplied with M-25 gland packing. On special order S.S. flanges can be supplied.

ABS housing with metallic inserts

Code	Standard Packaging	Standard Weight kg	Standard Volume m ³
00364	6	6.24	0.069



CONCRETE



PREFABRICATED

HALOGEN LIGHTS

Global underwater light

New

New range of LumiPLus, for all type of pools (included sea water). Manufactured in plastic. The screws and anchors are also made in plastic material, and they are compatible with all Astralpool niches as well as with all niches with a diameter from 223 mm to 239 mm from the market. A niche must be purchased separately. **Suitable for sea water.**



	Code	Standard Packaging	Standard Weight kg	Standard Volume m ³
Light	52608	4	8.60	0.069

Adjustable Light

CONCRETE POOL

The lens may be angled up to 15° in any direction. White ABS faceplate. PAR 56 300W-12V halogen lamp, IP-68 Protection and H07 RN-F 2.5 metre long cable.



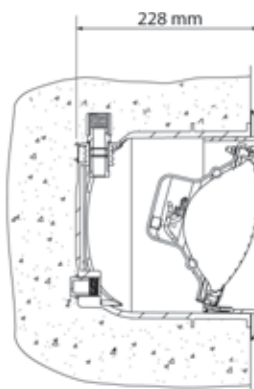
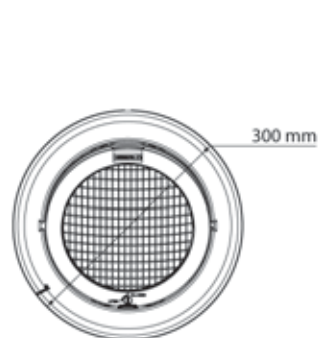
Code	Standard Packaging	Standard Weight kg	Standard Volume m ³
33033	1	3.7	0.029

PREFABRICATED POOL

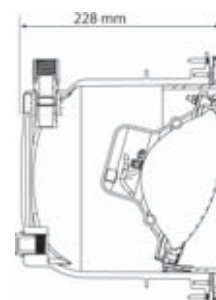
The lens may be angled up to 15° in any direction. Niche for prefabricated and panel pools. White ABS faceplate. PAR 56 300W-12V halogen lamp, IP-68 Protection and H07RN-F 2.5 metre long cable.



	Code	Standard Packaging	Standard Weight kg	Standard Volume m ³
Parker Model	33034	1	3.7	0.029
For Parker model panel pools	33035	1	3.7	0.029
Niche with inserts	33067	1	3.7	0.029
For panel pools, niche with inserts	33068	1	3.7	0.029



CONCRETE



PREFABRICATED

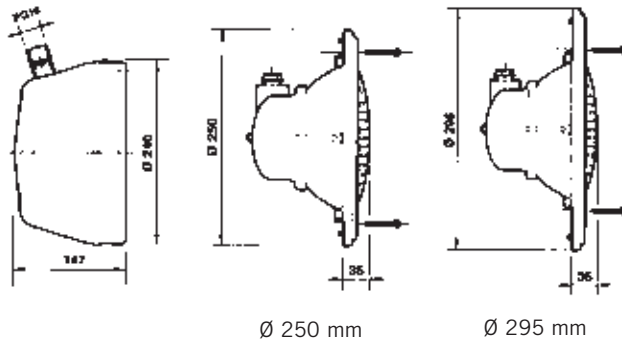
HALOGEN LIGHTS

New

Stainless Steel underwater light

Totally in S.S. AISI-316 supplied with 2.5 m cable and PG16 threaded gland connection with PG16 to M25 converter. Rim screwed directly to niche with screws. Niche must be purchased separately.

	Code	Standard Packaging	Standard Weight kg	Standard Volume m ³
Projector without niche Ø 250 mm faceplate PAR56 300W 12V AC 50 Hz IPX8	54096	1	2.37	0.013
Projector without niche Ø 290 mm faceplate PAR56 300W 12V AC 50 Hz IPX8	54101	1	2.60	0.020
Niche for concrete pool	54102	1	1.72	0.013
Niche for liner pool	54103	1	2.16	0.013



Extra flat light

CONCRETE POOL

Built of stable, heat-resistant plastic materials. White. Niche not required for installation. ABS or S.S. faceplate fixed to the wall by means of a reinforced plastic cross, plugs and screws. Supplied with 2.5 m cable of 2 x 1.5 mm² 100 W - 12 V halogen lamp. Supplied without transformer.

	Code	Standard Packaging	Standard Weight kg	Standard Volume m ³
White ABS faceplate	21626	6	8.70	0.055
S.S. faceplate	35666	6	8.70	0.055

CONCRETE POOL WITH LINER

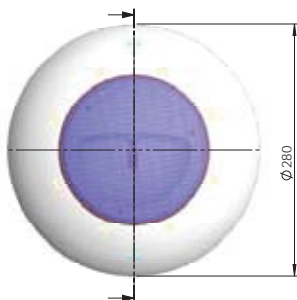
There is no need of niche for the installation. Available with ABS or stainless steel base cover. Faceplate fixed to the wall by means of a reinforced plastic cross, plugs and screws.

	Code	Standard Packaging	Standard Weight kg	Standard Volume m ³
ABS faceplate	43452	1	1.5	0.006
S.S. faceplate	43454	1	1.5	0.006

PREFABRICATED POOL

Does not require niche. Made of heat-resistant plastic. Cross shaped reinforced plastic fixing using plugs, screws and gaskets.

	Code	Standard Packaging	Standard Weight kg	Standard Volume m ³
Wall fixing with gaskets, bolts and nuts.	21627	6	13.7	0.055
Wall fixing with gaskets, bolts and nuts S.S. faceplate.	35667	6	13.7	0.055
New fixing system that allows installation of liner and lights after the pool is totally finished	24765	5	8.8	0.055
New fixing system that allows installation of liner and lights after the pool is totally finished S.S. faceplate.	35668	5	8.8	0.055



HALOGEN LIGHTS

PS lights



Supplied with niche to be embedded in the pool wall. Manufactured in PS plastic. PAR56 300 W-12 V halogen lamp. The niche has a single cable outlet on one side. The stuffing boxes are made of brass with M-25 threads. The PS model lights are supplied without transformer.

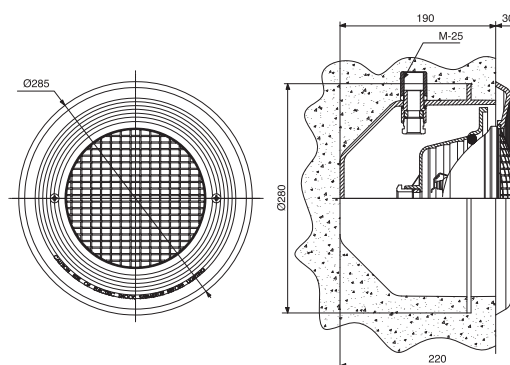
	Code	Standard Packaging	Standard Weight kg	Standard Volume m ³
Without cable				
With white ABS faceplate	07833	4	11.20	0.090
With S.S. faceplate	07831	4	12.25	0.090

NICHES

To be embedded in the pool wall. Manufactured in PS. The niche has a single cable outlet on one side. Niche for PS light models (07831, 07833, 07845 and 07846). These niches are supplied without cable.



	Code	Standard Packaging	Standard Weight kg	Standard Volume m ³
Concrete pool niche	00355	6	7	0.068



Plastic MINI light



CONCRETE POOL

Manufactured in PA and ABS plastic materials. Without screws, bayonet system on both the faceplate and the housing. Easy to remove using the faceplate front as a key to replace the lamp. 50 W-12 V aluminised halogen lamp and 38° opening of 95 lux light beam at 4 m distance with an illuminated circle of 2.5 m. Light easy to install in a wall conduit with a solvent weld connection (code 15661). Possibility of attaching colour lenses to the faceplate. Light supplied without transformer. Available in white ABS faceplate or S.S.

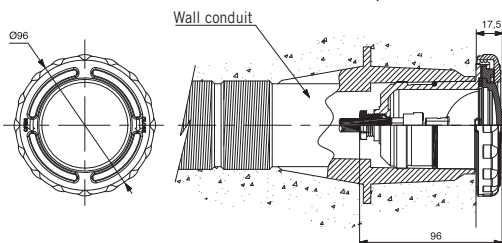
	Code	Standard Packaging	Standard Weight kg	Standard Volume m ³
White ABS faceplate	33708	4	2.90	0.010
Metal body and faceplate in ABS	33684	4	4.70	0.022

PREFABRICATED POOL

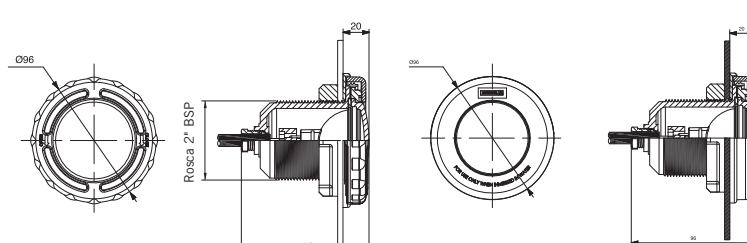
Available in plastic ABS faceplate or S.S.



	Code	Standard Packaging	Standard Weight kg	Standard Volume m ³
White ABS faceplate	33709	4	2.80	0.010
S.S. base faceplate	36647	4	2.80	0.010
White ABS faceplate	33685	4	5.60	0.010
S.S. faceplate	36642	4	5.60	0.010



CONCRETE



PREFABRICATED

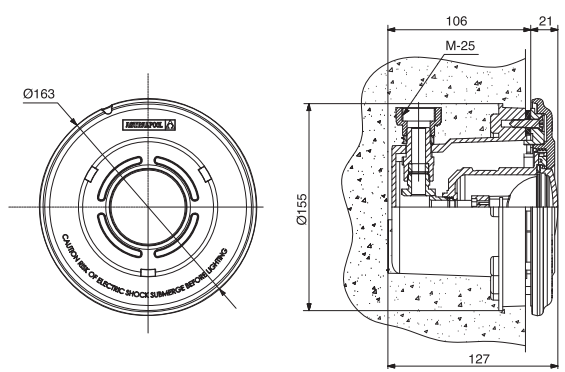
HALOGEN LIGHTS

MINI light

Manufactured in PA and ABS plastic materials. Niche supplied separately. With 2.5 m cable of 2 x 1.5 mm². Without screws, bayonet system on both the trim and the housing. Easy to dismantle using the faceplate as a tool to replace the lamp. Aluminised 50 W-12 V halogen lamp and 38° opening of 95 lux light beam at 4 m distance with an illuminated circle of 2.5 m. Possibility of attaching colour lenses to the faceplate. Light supplied without transformer. Available in white ABS faceplate or S.S. The niche must be purchased separately.



	Code	Standard Packaging	Standard Weight kg	Standard Volume m ³
ABS light with ABS faceplate	49820	4	6.49	0.022
ABS light with S.S. faceplate	49821	4	6.49	0.022
S.S. light with ABS faceplate	49822	4	6.49	0.022
S.S. light with S.S. faceplate	49823	4	6.49	0.022
NICHES				
Niche for MINI light concrete pool	06967	4	4.20	0.117
Niche for MINI light prefabricated pool	00369	4	4.20	0.117
Niche for MINI light Panel Protect	49828	4	4.20	0.117



Underwater light with calbe conduit

100W, 12V small underwater light. The underwater light niche is not needed for this installation. The light is anchored to the swimming pool wall without niche, only with an inlet threaded directly into the wall conduit. This inlet works as a niche.



	Code	Standard Packaging	Standard Weight kg	Standard Volume m ³
	43933	6	8.4	0.0522

Kit double gaskets

Kits consisted of a double gasket and the screws needed for the installation of underwater lights in panel pools. The Kit allows the installation of several swimming pool accessories, protecting the panel from any water contact. Easy installation. It avoids corrosion in the cut area of the panel, where the accessories are installed. It allow to install the models with inserts or selftappers underwater lights.

	Code	Standard Packaging	Standard Weight kg	Standard Volume m ³
For projector with inserts	14517-0500	80	-	0.035
For projector STD, self-tappers	14517-0600	80	-	0.035

POOL LIGHTING & ORNAMENTAL FEATURES

HALOGEN LIGHTS FOR FOUNTAINS AND PONDS

Underwater lights



Manufactured in stable plastic materials. Rotational bracket allowing light beam to be directed in any direction. Lamp PAR 56 or PAR 38. It can be fixed to the floor with plugs and screws. Possibility of adapting colour lenses.

Without cable

With PAR 56, 300 W-12 V lamp

With PAR 38, 120 W-24 V lamp

With 2.5 m cable of 2 x 6 mm²

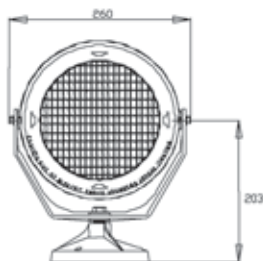
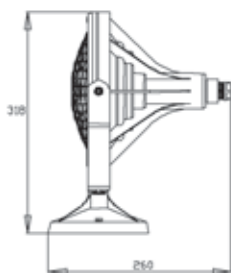
With PAR 56, 300 W-12 V lamp

With PAR 38, 120 W-24 V lamp

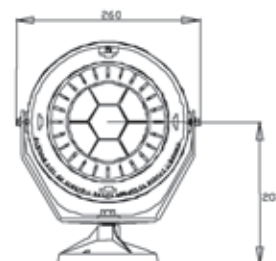
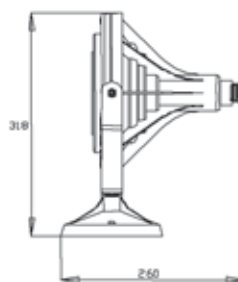
Code	Standard Packaging	Standard Weight kg	Standard Volume m ³
08930	4	8.2	0.080
08931	4	8.0	0.080
22397	4	9.0	0.086
23046	4	9.0	0.086



Lamp PAR 56



Lamp PAR 38



Base for Mini lights for fountains

Base made of stainless steel in order to mount any Mini light without niche. Ideal for placing lights in fountains or water installations. The light must always be submerged.

Code	Standard Packaging	Standard Weight kg	Standard Volume m ³
35716	1	0.3	0.003



LAMPS FOR HALOGEN LIGHTS

PAR 56 halogen lamp 300 W 12 V



For lights with niche.

Code	Standard Packaging	Standard Weight kg	Standard Volume m ³
00370	1	0.7	0.003

Halogen lamp 100 W 12 V



For flat and extra-flat lights.

Code	Standard Packaging	Standard Weight kg	Standard Volume m ³
00371	1	0.2	0.001

Dichroic bulb 50 W 12 V



Code	Standard Packaging	Standard Weight kg	Standard Volume m ³
00372	1	0.055	0.001

PAR lamp 38 E-27 120 W 24 V



For fountain and pond lights.

Code	Standard Packaging	Standard Weight kg	Standard Volume m ³
09309	1	0.5	0.002

CONNECTION BOXES

Transformers



Made according to EN 60742 Standard.

100 VA from 220 V to 12 V

for lights 21626, 21627 and 24765

Code	Standard Packaging	Standard Weight kg	Standard Volume m ³
------	--------------------	--------------------	--------------------------------

300 VA from 220 V to 12 V

up to 35 m cable length

00383-4146	6	15.0	0.011
00384-4146	4	21.0	0.012

600 VA from 220 V to 12 V

up to 25 m cable length

00385-4146	2	19.0	0.012
------------	---	------	-------

Please enquire for alternative range of transformers.

Sealed security transformer IP-65 for pools



Manufactured according to the UNE-EN 61558 standard and EU rules.

- IP-657 housing protection degree.
- Transformer Class II. Total Protection against electric shock.
- Self-extinguishing housing IEC 695-2-1
- Frequency 50/60 Hz

130 VA from 220-240V to 12 V

400 VA from 220-240V to 12-17 V

800 VA from 280-240V to 12-17 V

Code	Standard Packaging	Standard Weight kg	Standard Volume m ³
------	--------------------	--------------------	--------------------------------

35807	1	3.2	0.02
35385	1	6.8	0.04
35386	1	10.4	0.04

Transformer protection boxes



Made of zinc plated steel plate, painted finish.

For transformer 00383

For transformer 00384

For transformer 00385

Code	Standard Packaging	Standard Weight kg	Standard Volume m ³
------	--------------------	--------------------	--------------------------------

00386	1	1.15	0.01
00387	1	1.57	0.01
00388	1	3.00	0.01

Connection box with security cover



Manufactured in ABS, made up of three 3/4" inlets/outlets M-25 and 3/4" thread connections.

Code	Standard Packaging	Standard Weight kg	Standard Volume m ³
------	--------------------	--------------------	--------------------------------

30825	12	4.65	0.030
-------	----	------	-------

Connection box



In Stainless Steel AISI-316. Two side outlets, thread PG16 with PG-16-M25 converter. 3/4" BSP threaded bottom connection.

Code	Standard Packaging	Standard Weight kg	Standard Volume m ³
------	--------------------	--------------------	--------------------------------

00393	1	0.21	0.002
-------	---	------	-------

ACCESSORIES

Flexible conduit hose



For connection from light to connection box, length 1 m hose.

	Code	Standard Packaging	Standard Weight kg	Standard Volume m ³
Threaded ends 3/4" & M25	28138	-	-	-
M-25 socket joint	10892-0404	-	-	-
Threaded ends 3/4" and M26 150 cm	28138-150	-	-	-

100 m cable roll HO7RN-F 2 x 6 mm²



The roll contains 100 m of cable HO7RN-F, with 2x6 mm² section. Ideal for all lights with PAR 56, 300 W-12V lamps. Meets all the Standards of illumination and voltage for all types of pools. It is recommended for Standard, PS, Panel Protect, and UL-EUR series and fountain lights.

	Code	Standard Packaging	Standard Weight kg	Standard Volume m ³
100m cable roll	15264	1	187.5	-

FIBRE OPTICS LIGHTING

Fibre optic product range

The fibre optics range consists on generators, cables, lights, glow rods flexible fibre wands, illuminating waterfalls, tracks and perimetral fibre fixers, tools and accessories.

Fibre Optic Generators

The generators are light sources equipped with special lamps that provide optimal light intensity for fibre optic equipment. The new Series 100 and 300 generators offer higher performance at a lower cost.

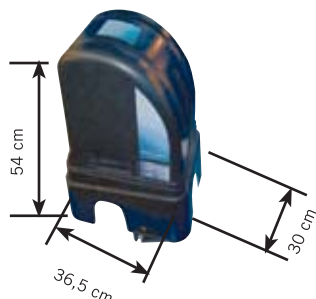
Main features:

- Self or automatic synchronization of generators (no need for master and slave light sources).
- The remote control has been included as standard.
- Capacity of 600 strands for generator. This means a smaller number of generators are needed for the same installation.
- A choice of 8 different colours are included: white, dark green, cyan, pink, blue, lime green, yellow and navy blue.
- Colour changing control mode.
- Automatic shut-off timer.
- Sequential colour changes with varying times for each colour.
- In a public pool where the generators are close to the swimmers, there is the possibility of invalidating the buttons control to avoid tampering.



FIBRE OPTICS LIGHTING

Fibre Optic Generator



Remote control



Fibre optic generators

The light source generators are equipped with special lamps that provide optimal light intensity for fibre optic equipment. The new Series 100 and 300 generators replace the two equivalent models previously supplied. We have now developed our own product offering higher performance at a lower cost. Complete with long distance remote control. Capacity of 600 strands for generator. Self-synchronisation of generators (no need for master and slave light sources). Continuous colour changes at varying rates (available on request). Sequential colour changes with varying times for each colour. Automatic shut-off generator timer.

	Code	Standard Packaging	Standard Weight kg	Standard Volume m ³
Series 100 eight-colour generator with 250 W halogen lamp	22348	1	7.5	0.089
Series 300 eight-colour generator with 150 W, 6000- hour operating life discharge lamp	22347	1	9.6	0.089

Fibre optic cable

All fibre optic cables are clearly identified with the number of strands. AstralPool has newly introduced single-strand cables to create starry sky effects and other applications requiring only one 0.75 mm strand.

	Code	Standard Packaging	Standard Weight kg	Standard Volume m ³
End emitting stranded cable				
25 fibres, per metre	27727			
50 fibres, per metre	27731	-	-	-
50 fibres, 50 m roll	27732	-	-	-
50 fibres, 100 m roll	27733	-	-	-
75 fibres, per metre	27735	-	-	-
75 fibres, 50 m roll	27736	-	-	-
75 fibres, 100 m roll	27737	-	-	-
100 fibres, per metre	27738	-	-	-
100 fibres, 50 m roll	27739	-	-	-
100 fibres, 100 m roll	27740	-	-	-
150 fibres, per metre	27742	-	-	-
150 fibres, 50 m roll	27743	-	-	-
150 fibres, 100 m roll	27744	-	-	-
Perimetral (side emission) cable				
42 fibres stranded cable. Per meter	27750	-	-	-
42 fibres stranded cable. 50 meter roll	27751	-	-	-
42 fibres stranded cable. 100 meter roll	27752	-	-	-
42 fibres lineal cable. Per meter	27765	-	-	-
42 fibres lineal cable. 50 meter roll	27766	-	-	-
42 fibres lineal cable. 100 meter roll	27767	-	-	-

FIBRE OPTICS LIGHTING

Fibre optic lights



Lights are supplied with both flat and concave lenses



Chromed optic fibre projector



Mini Spot

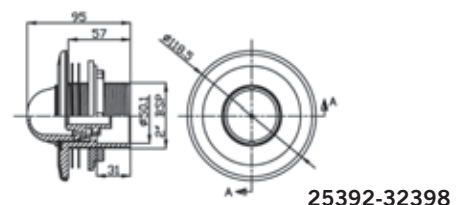
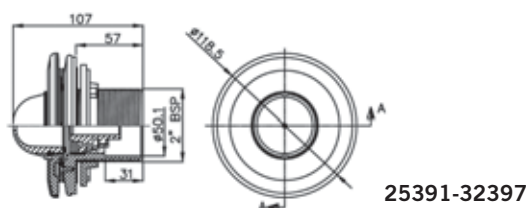
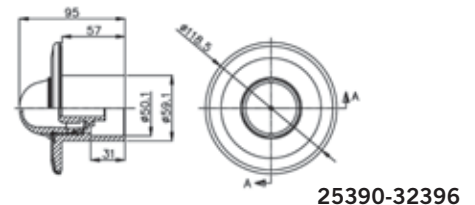
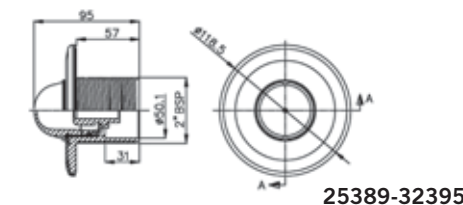


Mini Lens

The whole range of lights are manufactured in white ABS and are all easily installed with wall conduits or direct glueing. They are supplied with two lenses, the concave lens with a wider opening of the illumination angle, and the flat lens, more common in spas and small pools. With the lenses a superior finish is obtained, and installation is simplified. Furthermore, the lights incorporate an Astralpool white or chrome faceplate, and have standard connections.

There are different light models available according to the type of pool, whether concrete, fibreglass, acrylic and liner.

Code	Description
Lenses for concrete pools	
25389	Lights 2" male thread, inside diameter 50 mm. Can be installed with wall conduit. Ref: 15658-15659. Manufactured in white ABS. Supplied with flat lens and concave lens.
25390	Lights for glueing to PN6 63 mm tube or 50 mm diameter tube. Can be installed with wall conduit Ref: 15660-15661. Manufactured in white ABS. Supplied with flat lens and concave lens.
32395	2" male thread, inside diameter 50 mm. Can be installed with wall conduit ref.: 15658-15659. Manufactured in white ABS. Supplied with flat lens and concave lens. Chromed faceplate.
32396	For glueing to PN6 63 mm or 50 mm diameter tube. Can be installed with wall conduit ref.: 15660-15661. Manufactured in white ABS. Supplied with flat lens and concave lens. Chromed faceplate.
Underwater lights	
25391	Light for liner. For glueing to 50 mm diameter tube. Manufactured in white ABS. Includes gasket and screws. Supplied with flat lens and concave lens.
32397	For glueing to 50 mm diameter tube. Manufactured in white ABS. Includes gaskets and screws. Supplied with flat lens and concave lens. Chromed faceplate.
Projectors for prefabricated pools in fibreglass and acrylic	
25392	Light for prefabricated pools in fibreglass and acrylic. For glueing to 50 mm diameter tube. Manufactured in white ABS. Includes gaskets and fixing nut. Supplied with flat lens and concave lens.
32398	For glueing to 50 mm diameter tube. Manufactured in white ABS. Includes gaskets and fixing nut. Supplied with flat lens and concave lens. Chromed faceplate.



FIBRE OPTICS LIGHTING

15 m Flexible track



In clear plastic. Screw attachment. Model for pools already built.

Code	Standard Packing	Standard Weight kg	Standard Volume m ³
27796	1	2.20	0.010

15 m Flexible track



In clear plastic. Screw attachment below coping stone. Model for new pools.

Code	Standard Packing	Standard Weight kg	Standard Volume m ³
27797	1	4.2	0.027

Stainless steel lens key



For quick, easy and accurate adjustments of lenses. In S.S.

Code	Standard Packing	Standard Weight kg	Standard Volume m ³
18413	1	0.1	0.001

Replacement bulbs and spares

	Code	Standard Packing	Standard Weight kg	Standard Volume m
Halogen bulb for generator 100 series	18415	1	0.1	0.001
Metallic halogen lamp for generator 300 series	22347R0201	1	-	-

ASTRALPOOL SIGNATURE ORNAMENTAL WATER FEATURES

Pluvium Water games and ornamental water features

AstralPool Signature Ornamental water features for residential pools add a touch of elegance without forgetting its main function: to increase the well-being of the swimmer. We present the PLUVIUM cannon and waterfall. They combine Ipe wood and stainless steel AISI 316 satin finish. These new products complement the range of Pluvium showers by AstralPool Signature. 3 years guarantee.

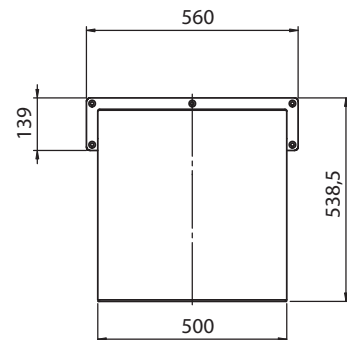
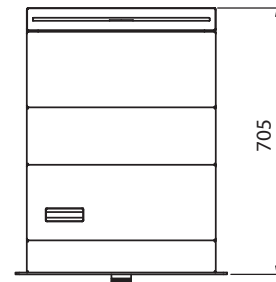
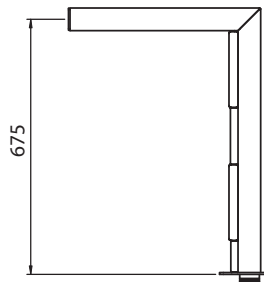


	Code	Standard Packaging	Standard Weight kg	Standard Volume m ³
Pluvium Cannon	45868	1	11	0.089
Pluvium Waterfall	45869	1	31	0.284

The water features do NOT include anchoring, pump, control panel nor suction system. AstralPool suggests the following anchoring systems:

	Code	Standard Packaging	Standard Weight kg	Standard Volume m ³
Pluvium Cannon anchoring	45872	1	2	0.005
Pluvium Waterfall anchoring	45873	1	3.5	0.015

NOTE: The water features do not include anchoring, pump, control panel or suction system.



NOTE: The water features do not include anchoring, pump, control panel nor suction system.

WATER GAMES AND ORNAMENTAL WATER FEATURES



Cobra Curtain

Height: 1.2 m. Width 600 mm. Stainless Steel AISI-316.

	Code	Standard Packaging	Standard Weight kg	Standard Volume m ³
Matt finish	19972	1	23.2	0.630
Painted in white	19973	1	23.2	0.630



Boa Curtain

Height: 1.2 m. Width 340 mm. Stainless Steel AISI-316.

	Code	Standard Packaging	Standard Weight kg	Standard Volume m ³
Bright polished	19974	1	11.2	0.278



Deluxe Curtain

Height: 0.9 m. Stainless Steel AISI-316.

	Code	Standard Packaging	Standard Weight kg	Standard Volume m ³
Bright polished	19975	1	60.0	0.547

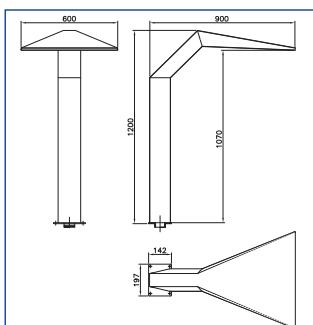


Arched Curtain

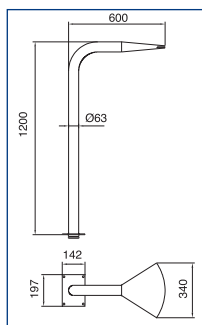
Stainless Steel AISI-316 matt finish.

	Code	Standard Packaging	Standard Weight kg	Standard Volume m ³
Width 600 mm, Height 800 mm	20129	1	34.1	0.247
Width 600 mm, Height 1000 mm	20130	1	62.0	0.547
Width 1000 mm, Height 1000 mm	20131	1	106.5	1.044

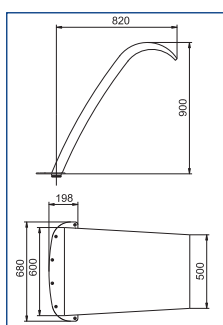
19972-19973



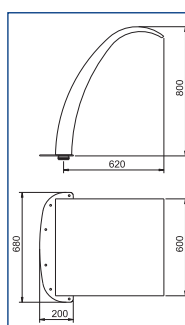
19974



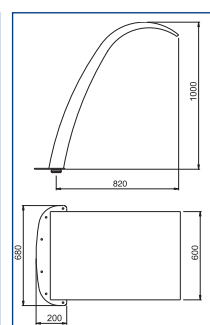
19975



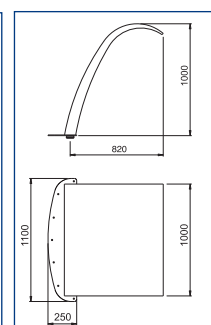
20129



20130



20131



Water feature code	Base cover	Anchoring	Suction			Pump	Control Box		
			Concrete	Concrete	Liner		Manual Switch	Pneumatic press button	
								Concrete	Liner
19972	19981	19983	19987 x 3	20091 x 3	38780	19990	07537	07867	
19973	19982	19983	19987 x 3	20091 x 3	38780	19990	07537	07867	
19974	19977	19983	19987 x 2	20091 x 2	38776	19989	17154	17155	
19975	-	19985	19987 x 3	20091 x 3	38780	19990	07537	07867	
20129	-	19985	19987 x 3	20091 x 3	38780	19990	07537	07867	
20130	-	19985	19987 x 3	20091 x 3	38780	19990	07537	07867	
20131	-	20135	19987 x 3	20091 x 3	38780	19990	07537	07867	

Note: The pneumatic switch includes: control box, wall conduits and switch.

WATER GAMES AND ORNAMENTAL WATER FEATURES

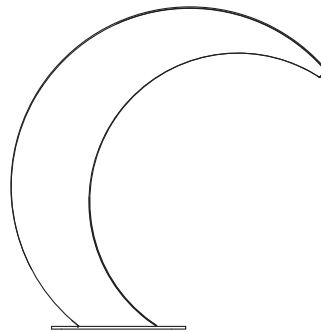
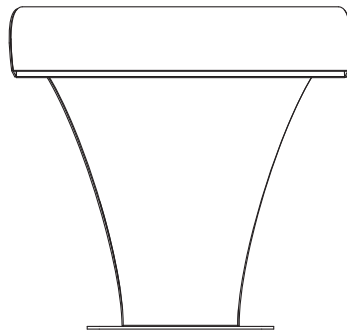
Curtain domestic

New

Curtain domestic in AISI-316 S.S. Anchoring with screws.

Curtain A-350. 12 m³/h
Curtain A-500. 18 m³/h

Code	Standard Packaging	Standard Weight kg	Standard Volume m ³
52244	1	10	0.12
52245	1	15	0.24



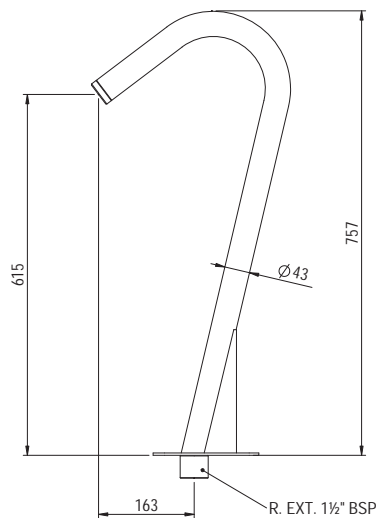
Cannon domestic

New

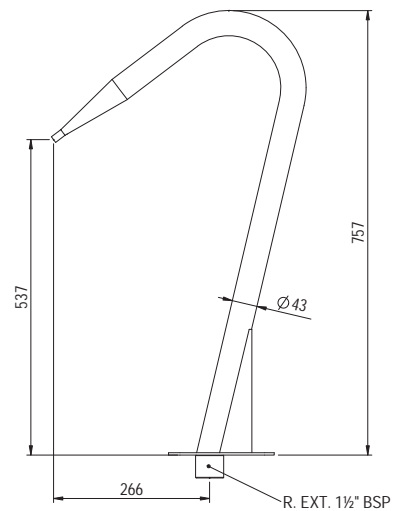
Cannon domestic in AISI-316 S.S. Anchoring with screws.

Circular. 2-5 m³/h, 12 m.c.a.
Flat. 15 m³/h, 2 m.c.a.
Circular. 2-5 m³/h, 12 m.c.a.
Flat. 15 m³/h, 2 m.c.a.

Code	Standard Packaging	Standard Weight kg	Standard Volume m ³
52242	1	3	0.12
52243	1	5	0.13
52238	1	-	-
52239	1	-	-



52242



52243

NOTE: The water features do not include anchoring, pump, control panel nor suction system.

WATER GAMES AND ORNAMENTAL WATER FEATURES

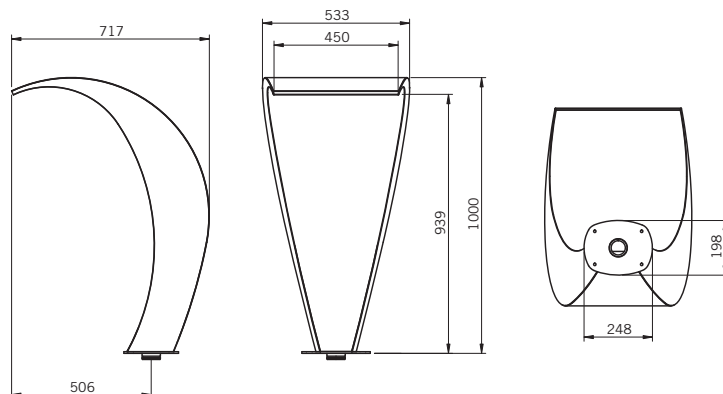


Swan Curtain 450

Stainless Steel AISI-316.

Matt finish
Painted in Blue Ral 5002
Painted in Orange Ral 2010

Code	Standard Packaging	Standard Weight kg	Standard Volume m ³
34387	1	27.7	0.356
34388	1	27.7	0.356
34389	1	27.7	0.356

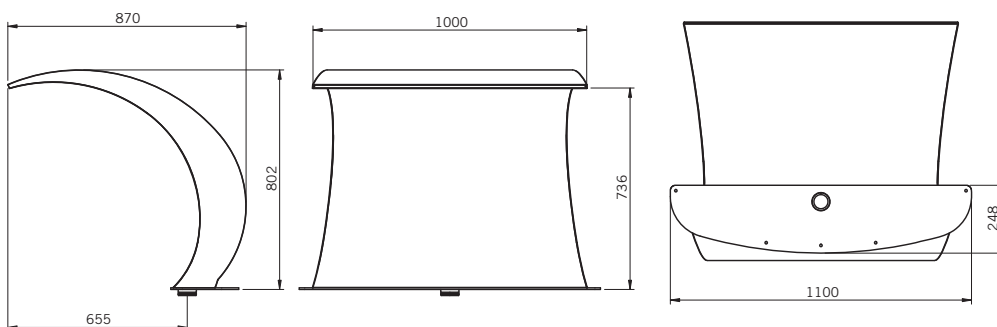


Swan Curtain 1000

Stainless Steel AISI-316.

Matt finish
Painted in Blue Ral 5002
Painted in Orange Ral 2010

Code	Standard Packaging	Standard Weight kg	Standard Volume m ³
34390	1	38.2	0.872
34391	1	38.2	0.872
34392	1	38.2	0.872



Water feature code	Anchoring	Suction		Pump	Control Box		
	Concrete	Concrete	Liner		Manual switch	Pneumatic press button	
						Concrete	Liner
34387	19983	19987 x 2	20091 x 2	38776	19989	17154	17155
34388							
34389							
34390	20135	19987 x 3	20091 x 3	38780	19990	07537	07867
34391							
34392							

Note: The pneumatic switch includes: control box, wall conduits and switch.

NOTE: The water features do not include anchoring, pump, control panel nor suction system.

WATER GAMES AND ORNAMENTAL WATER FEATURES



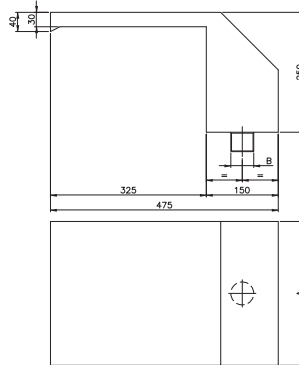
Waterfalls



Stainless Steel AISI-316.

Width 300 mm. connection 1 1/2"
Width 600 mm. connection 2"

Code	Standard Packaging	Standard Weight kg	Standard Volume m ³
05577	1	6.9	0.06
05578	1	11.9	0.09



Feature code	Base cover	Anchoring		Suction		Pump	Control Box		
		Concrete	Liner	Concrete	Liner		Manual switch	Pneumatic press button	
								Concrete	Liner
05577	-	-	-	19987 x 1	20091 x 1	38770	19988	07669	07868
05578	-	-	-	19987 x 2	20091 x 2	38776	19989	17154	17155

Note: The pneumatic switch includes: control box, wall conduits and switch.

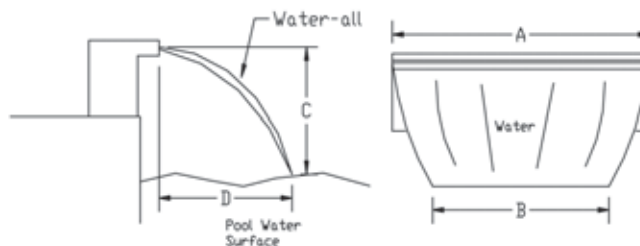


SilkFlow waterfall

Waterfall made of corrosion resistant ABS. Can be fed through the return circuit of the pool filter or pump.

Waterfall 300 mm
Waterfall 600 mm
Waterfall 900 mm
Waterfall 1200 mm

Code	Standard Packaging	Standard Weight kg	Standard Volume m ³
45205	1	1.19	0.012
45206	1	2.36	0.021
45207	1	3.45	0.003
45208	1	4.62	0.004



Code	waterflow required l/min/m	Pump size HP	A waterfall length	B waterfall length at the pool surface (working with l/min/m suggested)	C waterfall height suggested	D distance to water working with l/min/m suggested
45205	50	0.5	300 mm	200 mm	300 mm	300 mm
45206	100	0.5	600 mm	500 mm	600 mm	300 mm
45207	150	0.75	900 mm	800 mm	900 mm	300 mm
45208	200	0.75	1200 mm	1100 mm	900 mm	300 mm

NOTE: The water features do not include anchoring, pump, control panel nor suction system.



WATER GAMES AND ORNAMENTAL WATER FEATURES



Cannons

In AISI-316 Stainless Steel. (pipe only, without nozzles). Pipe: Ø 50 mm. Height 1.2 m.

Code	Standard Packaging	Standard Weight kg	Standard Volume m ³
19968	1	7.2	0.193



Interchangeable nozzles



Nozzle No 1

Code	Standard Packaging	Standard Weight kg	Standard Volume m ³
05572	1	0.66	0.003

Nozzle No 2

05573	1	0.46	0.003
-------	---	------	-------

Nozzle No 3

05574	1	0.56	0.003
-------	---	------	-------

Nozzle No 4

05575	1	0.81	0.003
-------	---	------	-------



Vertical

In polished AISI-316 Stainless Steel. Pipe: Ø 84 mm. Height 1.5 m.



Single

Code	Standard Packaging	Standard Weight kg	Standard Volume m ³
19969	1	10	0.080

NOTE: The water features do not include anchoring, pump, control panel nor suction system.



WATER GAMES AND ORNAMENTAL WATER FEATURES



Bell

In Stainless Steel AISI-316. Pipe: Ø 63 mm. Height 1.2 m.

Code	Standard Packaging	Standard Weight kg	Standard Volume m ³
19971	1	9.2	0.274



Deluxe Cannon

Stainless Steel polished AISI-316. Pipe: Ø 63 mm. Height: 0.8 mm.

Code	Standard Packaging	Standard Weight kg	Standard Volume m ³
------	--------------------	--------------------	--------------------------------



Flat

19970

1

8.2

0.211

Circular

20132

1

9.4

0.209

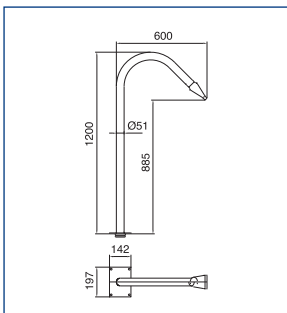
6 outlets

20133

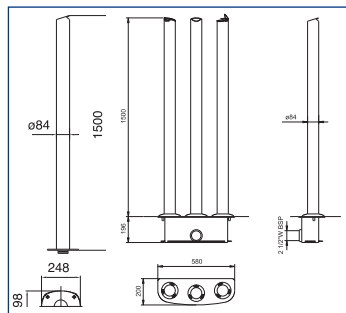
1

8.6

0.213

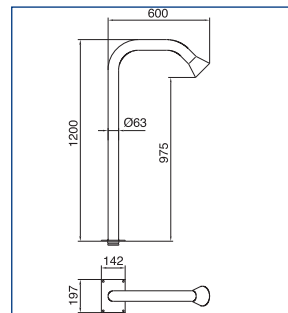


19968

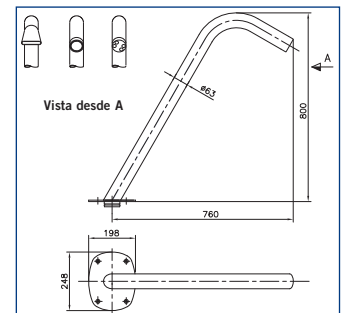


19969

20134



19971



19970-20132-20133

Water feature code	Base cover	Anchoring	Suction		Pump	Control Box			
			Cement	Cement		Liner	Manual switch	Pneumatic press button	
								Cement	Liner
19968	19976	19983	19987 x 1	20091 x 1	38770	19988	07669	07868	
19969	19978	19983	19987 x 1	20091 x 1	38770	19988	07669	07868	
19970	-	19983	19987 x 1	20091 x 1	38770	19988	07669	07868	
19971	19977	19983	19987 x 2	20091 x 2	38776	19989	17154	17155	
20132	-	19983	19987 x 1	20091 x 1	38770	19988	07669	07868	
20133	-	19983	19987 x 1	20091 x 1	38770	19988	07669	07868	
20134	-	-	19987 x 3	20091 x 3	38780	19990	07537	07867	

Note: The pneumatic switch includes: control box, wall conduits and switch.

NOTE: The water features do not include anchoring, pump, control panel nor suction system.



WATER GAMES AND ORNAMENTAL WATER FEATURES

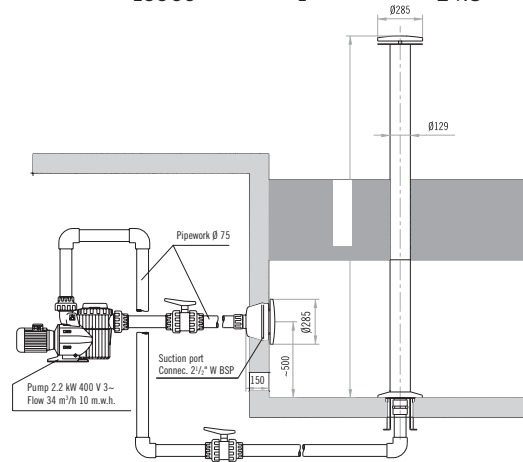
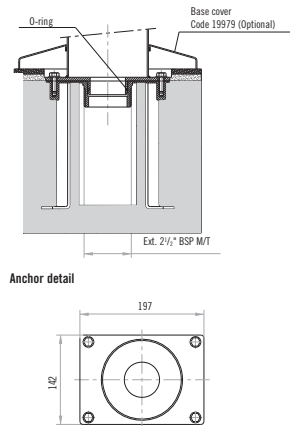


Mushrooms

In AISI-316 Stainless Steel polished Column Ø 129 mm. Height 2.3 m.

Mushroom Ø 285 mm

Code	Standard Packaging	Standard Weight kg	Standard Volume m ³
19966	1	24.8	0.273



Feature code	Base cover	Anchoring		Suction		Pump	Control Box		
		Concrete	Liner	Concrete	Liner		Manual switch	Pneumatic press button	
								Concrete	Liner
19966	19979	19983	15833	19987 x 3	20091 x 3	38780	19990	07537	07867

Note: The pneumatic press button includes: control box, wall conduits and press button.



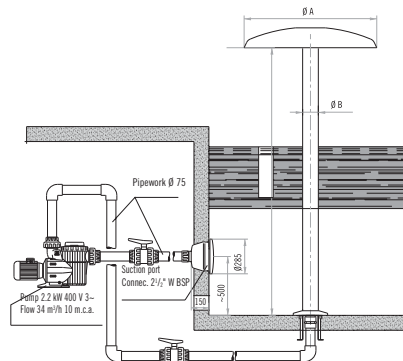
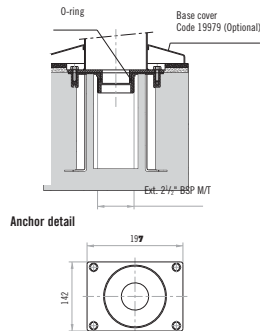
Umbrellas

In AISI-316 Stainless Steel polished column. Umbrella in fiberglass.

Umbrella, Ø 1100 mm
 Umbrella, Ø 1500 mm
 Umbrella, Ø 2000 mm
 Umbrella, Ø 2500 mm
 Column Ø 129 mm
 Column Ø 254 mm

Code	Standard Packaging	Standard Weight kg	Standard Volume m ³
22750	1	30.0	0.450
22751	1	85.0	1.900
22752	1	110.0	2.400
22753	1	130.0	3.500
22754	1	23.4	0.274
22755	1	55.8	0.507

Note: The pneumatic press button includes: control box, wall conduit and press button.



Umbrella Ø	Top	Column	Base cover	Anchoring		Suction		Pump	Manual switch	Control Box	
				Concrete	Liner	Concrete	Liner			Pneumatic press button	
										Concrete	Liner
1100	22750	22754	19979	19983	15833	19987 x 3	20091 x 3	38780	19990	07537	07867
1500	22751	22755	19980	19984	19986	19987 x 4	20091 x 4	08003	19991	-	-
2000	22752	22755	19980	19984	19986	19987 x 4	20091 x 4	08003	19991	-	-
2500	22753	22755	19980	19984	19986	19987 x 5	20091 x 5	08004	19992	-	-

NOTE: The water features do not include anchoring, pump, control panel nor suction system.



WATER GAMES AND ORNAMENTAL WATER FEATURES



Water Mushroom Ø 250 mm

Made of AISI-316. It has been designed for installing in prefab. and concrete pools. Column Ø 104 mm. Height 385 mm

	Code	Standard Packaging	Standard Weight kg	Standard Volume m ³
Matt finish	34378	1	5.4	0.34
Painted Blue Ral 5002	34379	1	5.4	0.34
Painted Orange Ral 2010	34380	1	5.4	0.34



Water Mushroom Ø 400 mm

Made of AISI-316. It has been designed for installing in prefab. and concrete pools. Column Ø 129 mm. Height 460 mm.

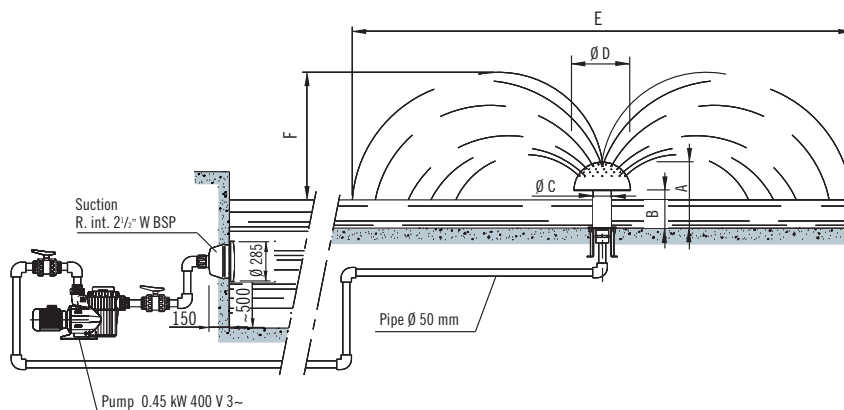
	Code	Standard Packaging	Standard Weight kg	Standard Volume m ³
Matt finish	34381	1	9.6	0.124
Painted Blue Ral 5002	34382	1	9.6	0.124
Painted Orange Ral 2010	34383	1	9.6	0.124



Water Mushroom Ø 670 mm

Made of AISI-316. It has been designed for installing in prefab. and concrete pools. Column Ø 168 mm. Height 600 mm.

	Code	Standard Packaging	Standard Weight kg	Standard Volume m ³
Matt finish	34384	1	24.5	0.377
Painted Blue Ral 5002	34385	1	24.5	0.377
Painted Orange Ral 2010	34386	1	24.5	0.377



Dimensions in mm						Feature Code	Anchoring		Suction		Pump	Control Box		
Ø D Mushroom	A	B	Ø C	E	F		Concrete	Liner	Concrete	Liner		Manual switch	Pneumatic press button	Concrete
250	385		104	5000	1500	34378								
						34379								
						34380								
400	460	270	129	6600	1700	34381	19983	15833	19987x1	20091x1	38770	19988	07669	07868
						34382								
						34383								
670	600		168	7000	1800	34384								
						34385								
						34386								

Note: The pneumatic press button includes: control box, wall conduits and press button.

NOTE: The water features do not include anchoring, pump, control panel nor suction system.

WATER GAMES AND ORNAMENTAL WATER FEATURES



Concrete pool wall suction point

In AISI-316 Stainless Steel. Ø 285 mm. Suction point for water features. Connection 1½". Max. recommended flow: 13 m³/h.



Concrete pool

Code	Standard Packaging	Standard Weight kg	Standard Volume m³
19987	1	2.9	0.018



Prefabricated and liner pool wall suction point

In AISI-316 Stainless Steel. Ø 285 mm. Suction point for water features. Connection 2½". Max. recommended flow: 13 m³/h.



Prefabricated and liner pool

Code	Standard Packaging	Standard Weight kg	Standard Volume m³
20091	1	2.9	0.018



Anchoring for concrete pools

In AISI-316 Stainless Steel. Includes base for embedding, screws, washers and earth connection. Connection 2½" BSP.



Rectangular anchoring
 Ø 254 mm anchoring
 600 mm wide anchoring
 1000 mm wide anchoring

Code	Standard Packaging	Standard Weight kg	Standard Volume m³
19983	1	2.1	0.012
19984	1	9.8	0.113
19985	1	6.4	0.039
20135	1	10.8	0.076



Anchoring for liner pools

In AISI-316 Stainless Steel. Includes base for embedding, fixing plate, 3 gaskets and earth connection. Connection 2½".



15833

Rectangular anchoring
 Ø 254 mm anchoring

Code	Standard Packaging	Standard Weight kg	Standard Volume m³
15833	1	2.5	0.007
19986	1	11.0	0.400



19986

NOTE: The water features do not include anchoring, pump, control panel nor suction system.

WATER GAMES AND ORNAMENTAL WATER FEATURES



Base cover

In polished AISI-316 Stainless Steel Ø 51 mm.



For cannon

Code	Standard Packaging	Standard Weight kg	Standard Volume m ³
19976	1	1.0	0.008



Base cover

Polished, Ø 63 mm



Code	Standard Packaging	Standard Weight kg	Standard Volume m ³
19977	1	1.0	0.008



Base cover

Polished, Ø 84 mm



Code	Standard Packaging	Standard Weight kg	Standard Volume m ³
19978	1	0.9	0.006



Base covers

Polished, Ø 129 mm



Code	Standard Packaging	Standard Weight kg	Standard Volume m ³
19979	1	0.9	0.005



Base cover

Polished, Ø 254 mm



Code	Standard Packaging	Standard Weight kg	Standard Volume m ³
19980	1	0.9	0.006

WATER GAMES AND ORNAMENTAL WATER FEATURES



Base cover



For 600 mm curtain. Matt finish

Code	Standard Packaging	Standard Weight kg	Standard Volume m ³
19981	1	1.22	0.008



Base cover



For 600 mm curtain. Painted

Code	Standard Packaging	Standard Weight kg	Standard Volume m ³
19982	1	1.28	0.008



Manual - control panel



Manual - control box

0.45 kW (0.5 HP) 400 V III
 1.1 kW (1.5 HP) 400 V III
 2.2 kW (3.0 HP) 400 V III
 2.65 kW (3.5 HP) 400 V III

Code	Standard Packaging	Standard Weight kg	Standard Volume m ³
19988	1	0.7	0.005
19989	1	0.7	0.005
19990	1	0.7	0.005
19991	1	0.7	0.005



Control box with pneumatic switch for water games



Allows bathers to control water features from inside the pool. Includes wall conduit, air tube and pneumatic press button.

For concrete pool

2.2 kW (3.0 HP) 400 V III
 0.45 kW (0.5 HP) 400 V III
 1.1 kW (1.5 HP) 400 V III

For prefabricated pool

2.2 kW (3.0 HP) 400 V III
 0.45 kW (0.5 HP) 400 V III
 1.1 kW (1.5 HP) 400 V III

Code	Standard Packaging	Standard Weight kg	Standard Volume m ³
07537	1	3.1	0.02
07669	1	3.1	0.02
17154	1	3.1	0.02
07867	1	3.2	0.02
07868	1	3.2	0.02
17155	1	3.2	0.02

COUNTERCURRENT SWIMMING EQUIPMENT: SWIMTRAINER

AstralPool Swimtrainer

New

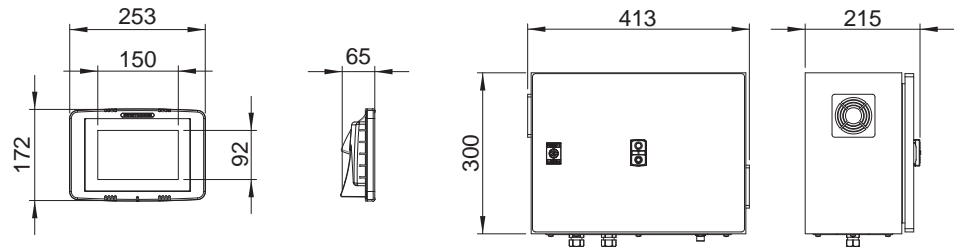


Countercurrent swimming equipment control device, with an intuitive use, tactile and waterresistant. The device allows an easy and intuitive programming of the intensity and duration for the training, allowing an usage in a great range of applications, such as training, aqua gym, leisure and massage needs. The device includes several in-built programs fitting the most common usages.

The AstralPool Swimtrainer device can be used in any countercurrent installation, either new or existing ones (up to 4,5 HP 3-phase pumps). Easy and fast installation without needing complex systems. The AstralPool Swimtrainer device has a tactile screen and an electrical cabinet, which includes the inverter and all the pump protection devices. Tactile and water resistant screen. The device provides energy saving to the countercurrent system, thanks to the inverter usage.

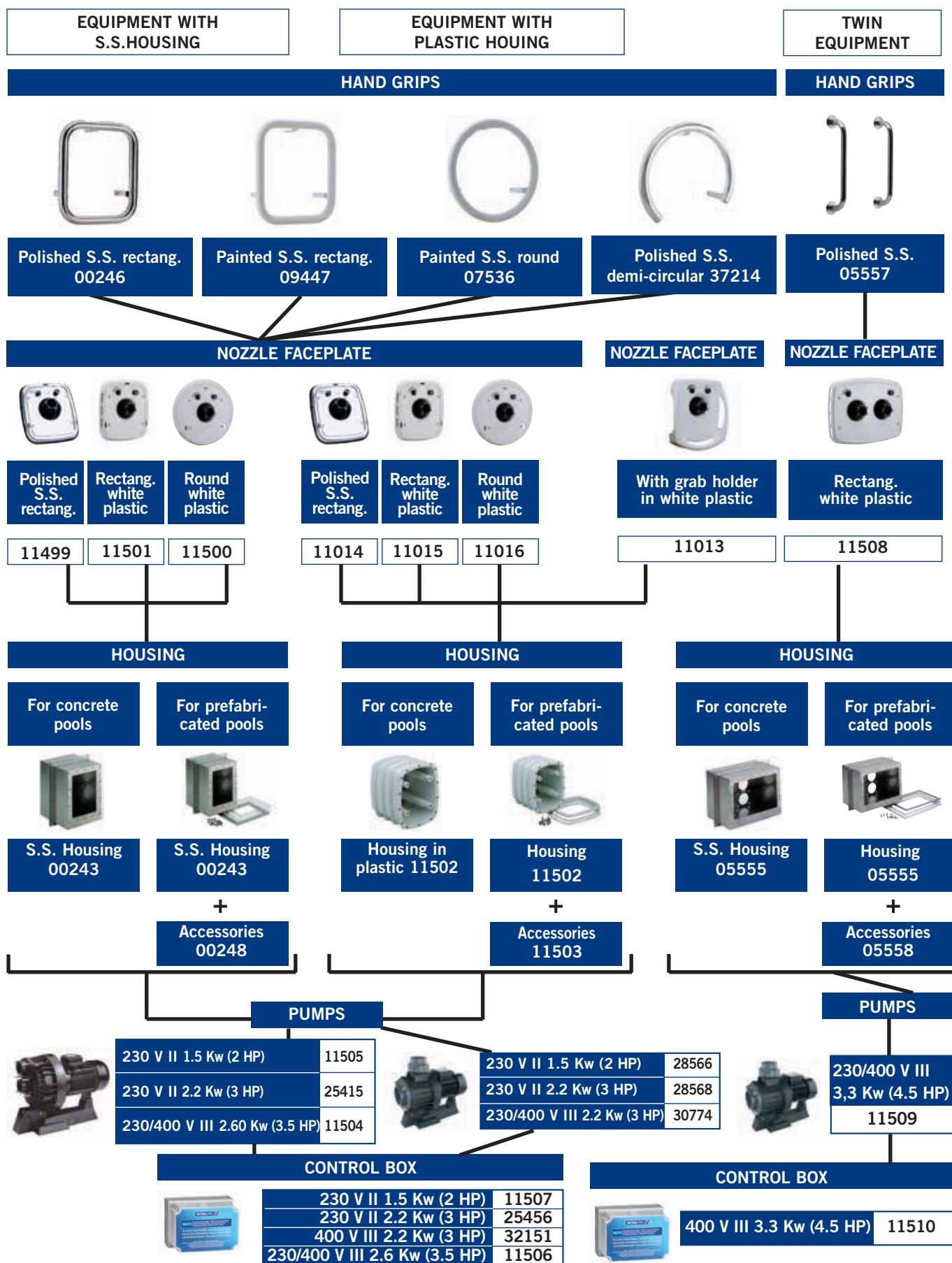
AstralPool Swimtrainer

Code	Standard Packaging	Standard Weight kg	Standard Volume m ³
51849	1	16.1	0.037



POOL LIGHTING & ORNAMENTAL FEATURES

MARLIN COUNTERCURRENT SWIMMING EQUIPMENT - QUICK SELECTION GUIDE

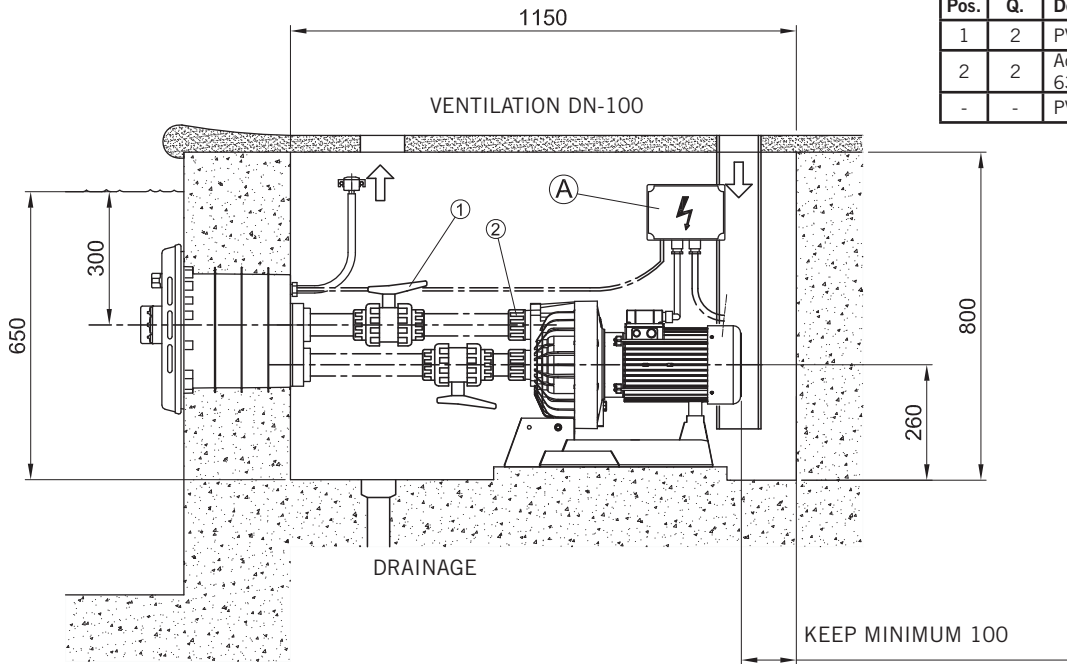


COUNTERCURRENT SWIMMING EQUIPMENT: MARLIN

Pump assembly with horizontal discharge

Accessories recommended for the assembly (not included in the kit)

Pos.	Q.	Denomination	Code
1	2	PVC Valve Ø63 mm	02458
2	2	Adapter nipple 63 mm x 2" male thread	02107
-	-	PVC pipe Ø 63 mm PN-6	02692



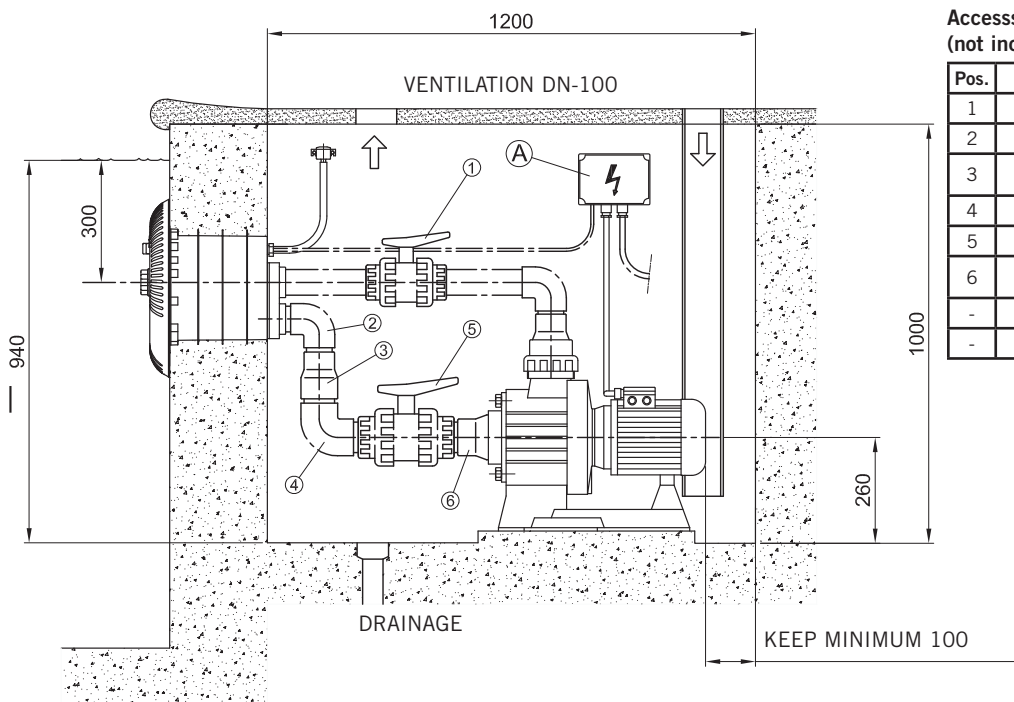
(A) ELECTRIC CONNEXION BOX: must be installed in a dry area

Dimensions in mm
Minimum pit dimensions: 1150 x 800 x 700 mm

Pump assembly with vertical discharge

Accessories recommended for the assembly (not included in the kit)

Pos.	Q.	Denomination	Code
1	1	PVC Valve Ø63 mm	02458
2	2	PVC elbow 90° Ø 63 mm	01717
3	2	Conical reduction Ø90-75x63 mm	01993
4	1	PVC elbow 90° Ø 75 mm	01718
5	1	PVC Valve Ø75 mm	02459
6	1	Conical reduction Ø110-90x75 mm	01997
-	-	PVC Pipe Ø63 mm PN-6	02692
-	-	PVC Pipe Ø75 mm PN-6	02693



(A) ELECTRIC CONNEXION BOX: must be installed in a dry area

Dimensions in mm
Minimum pit dimensions: 1200 x 1000 x 700 mm

COUNTERCURRENT SWIMMING EQUIPMENT: MARLIN



Nozzle with polished S.S. AISI-316 rectangular faceplate

Composed of: Faceplate, nozzle, On/OFF switch and air regulation knob. Components in AISI-316 Stainless Steel.

	Code	Standard Packaging	Standard Weight kg	Standard Volume m ³
For housing in S.S.	11499	1	4.7	0.039
For housing in plastic	11014	1	4.1	0.039



Nozzle with white plastic round faceplate

Composed of: Faceplate, nozzle, On/OFF switch and air regulation knob. Components in AISI-316 Stainless Steel.

	Code	Standard Packaging	Standard Weight kg	Standard Volume m ³
For housing in S.S.	11500	1	5.0	0.045
For housing in plastic	11016	1	4.4	0.056



Nozzle with white plastic rectangular faceplate

Composed of: Faceplate, nozzle, On/OFF switch and air regulation knob. Components in AISI-316 Stainless Steel.

	Code	Standard Packaging	Standard Weight kg	Standard Volume m ³
For nozzle face plate in S.S.	11501	1	5.0	0.045
For nozzle face plate in plastic	11015	1	3.9	0.039



With white plastic rectangular faceplate and built-in hand grip

Composed of: Faceplate, nozzle, On/OFF switch and air regulation knob. Components in AISI-316 Stainless Steel.

	Code	Standard Packaging	Standard Weight kg	Standard Volume m ³
For nozzle face plate in plastic	11013	1	4.2	0.039

COUNTERCURRENT SWIMMING EQUIPMENT: MARLIN



Rectangular hand grips in painted AISI-316 S.S.

Specially designed for 11015 & 11501 nozzles. Nevertheless can be mounted on any of the other nozzle sets except for the 11013.

Code	Standard Packaging	Standard Weight kg	Standard Volume m ³
09447	1	1.4	0.013



Rectangular hand grips in polished AISI-316 S.S.

Specially designed for 11014 and 11499 nozzles. Nevertheless can be mounted on any of the other nozzle sets except for the 11013.

Code	Standard Packaging	Standard Weight kg	Standard Volume m ³
00246	1	1.48	0.01



Round Hand grips in painted AISI-316 S.S.

Specially designed for 11016 & 11500 nozzles. Nevertheless can be mounted on any of the other nozzle sets except for the 11013.

Code	Standard Packaging	Standard Weight kg	Standard Volume m ³
07536	1	1.6	0.02



Semi circular grab rail in polished AISI-316 S.S.

AISI-316 polished stainless steel. Specially indicated for Marlin counter current swimming kit models; Marlin 30 II, Marlin 30 III and Marlin 45 III, although it may be mounted on any of the inlet sets, except for model 11013.

Code	Standard Packaging	Standard Weight kg	Standard Volume m ³
37214	1	1.62	0.018



S.S. Housing

In Stainless Steel AISI-316. 240 mm in depth. Suitable for both, concrete and prefabricated pools. Supplied with sealing elements and 3 m cable conduit.

Code	Standard Packaging	Standard Weight kg	Standard Volume m ³
00243	1	7.79	0.04



COUNTERCURRENT SWIMMING EQUIPMENT: MARLIN



Accessories for mounting in fiberglass and liner pools

In AISI-316 Stainless Steel. With gaskets and screws.

Code	Standard Packaging	Standard Weight kg	Standard Volume m ³
00248	1	0.85	0.002



Housing

Made in unalterable plastic. Supplied with sealing elements and two conduits of 3 m each.

Code	Standard Packaging	Standard Weight kg	Standard Volume m ³
11502	1	5.0	0.036



Accessory for fitting in liner and fiberglass pools

In plastic. With gaskets and screws.

Code	Standard Packaging	Standard Weight kg	Standard Volume m ³
11503	1	0.6	0.003



Massage hose

To be fitted on to the discharge nozzle. Length: 1.5 m.

Code	Standard Packaging	Standard Weight kg	Standard Volume m ³
00247	1	1.22	0.01

COUNTERCURRENT SWIMMING EQUIPMENT: MARLIN



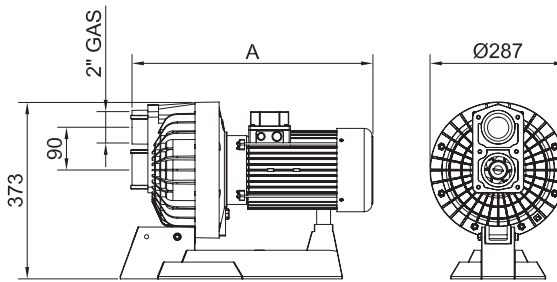
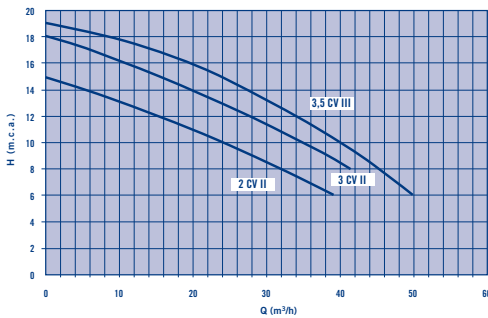
Pumps



Made of plastic. Double insulation motor shaft. IP-54 motor protection.

- 1.5 kW power (P1: 2 HP)
Single-phase 230 V 50 Hz
- 2.2 kW power (P1: 3 HP)
Single-phase 230 V 50 Hz
- 2.60 kW power (P1: 3.5 HP)
Three-phase 230/400 V 50 Hz

Code	Standard Packaging	Standard Weight kg	Standard Volume m ³
11505	1	27	0.098
25415	1	29	0.098
11504	1	30.5	0.098



Code	HP	A
11505	2 II	474
25415	3 II	475
11504	3,5 III	516

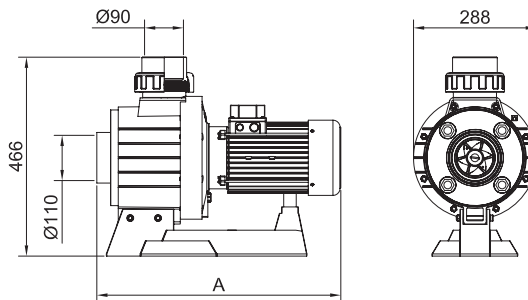
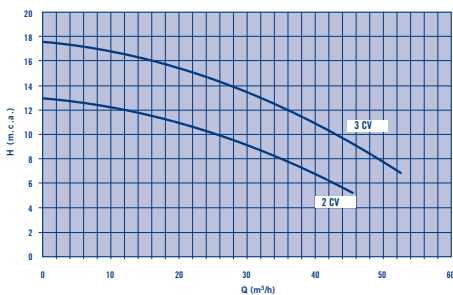


Vertical discharge pump counter-current equipment

Specially designed for counter-current equipment with high performance output with larger diameter of discharge and suction. It is important not to add any special features to the installation as they may limit the performance significantly. All the pumps metal components in contact with water are manufactured in AISI-316 Stainless Steel, highly resistant to corrosion.

- Power 1.5 Kw 2 HP Monoph., 230 V 50 Hz
- Power 2.2 Kw 3 HP Monoph., 230 v 50 Hz
- Power 2.2 Kw 3 HP Triph., 230/400 V 50 Hz

Code	Standard Packaging	Standard Weight kg	Standard Volume m ³
28566	1	21.0	0.095
28568	1	22.6	0.095
30774	1	22.5	0.095



Code	HP	A
28566	2 II	496
28568	3 II	538
30774	3 III	538



Control boxes

Electro-pneumatic box. Pumps are operated through the nozzle faceplate buttons.

- For 230 V II 1.5 kW (2 HP) pumps
- For 230 V II 2.2 kW (3 HP) pumps
- For 400 V III 2.2 Kw (3 HP) pumps
- For 230/400 V III 2.6 kW (3.5 HP) pumps

Code	Standard Packaging	Standard Weight kg	Standard Volume m ³
11507	1	1.2	0.004
25456	1	1.2	0.004
32151	1	1.2	0.004
11506	1	1.2	0.004

COUNTERCURRENT SWIMMING EQUIPMENT: MARLIN TWIN MODEL



With white plastic rectangular faceplate and nozzles

Composed of: Faceplate, nozzle, On/OFF switch and air regulation knob. Components in AISI-316 Stainless Steel.

Code	Standard Packaging	Standard Weight kg	Standard Volume m ³
11508	1	7.0	0.065



Hand grip

In AISI-316 Stainless Steel. (2 units).

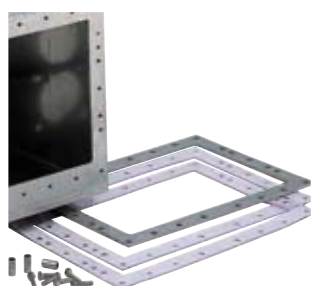
Code	Standard Packaging	Standard Weight kg	Standard Volume m ³
05557	1	1.9	0.01



Twin Housing

In AISI-316 Stainless Steel. 240 mm in depth. Suitable for both, concrete and prefabricated pools. Supplied with sealing elements and two 3 m cable conduits.

Code	Standard Packaging	Standard Weight kg	Standard Volume m ³
05555	1	11.4	0.06



Accessory for mounting in prefabricated and liner pools

In AISI-316 Stainless Steel. With gaskets and screws.

Code	Standard Packaging	Standard Weight kg	Standard Volume m ³
05558	1	1.35	0.01

COUNTERCURRENT SWIMING EQUIPMENT: MARLIN TWIN MODEL

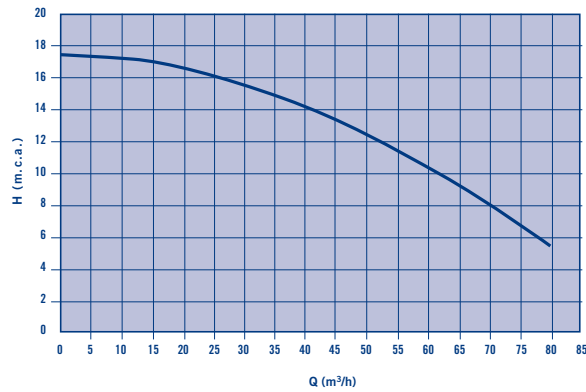
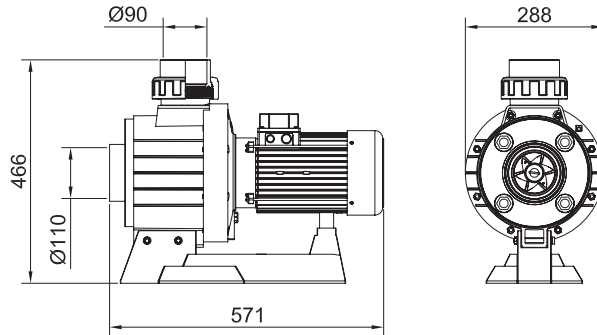


Pumps

Made of plastic. Double insulation motor shaft. IP-54 motor protection.

3.3 kW power (4.5 HP)
230/400 V 50 Hz three-phase

Code	Standard Packaging	Standard Weight kg	Standard Volume m ³
11509	1	32.5	0.098



POOL LIGHTING & ORNAMENTAL FEATURES



Control box

Electro-pneumatic box. Pumps are operated through the nozzle faceplate buttons.

For pump 400 V III 3.3 Kw (4.5 HP)

Code	Standard Packaging	Standard Weight kg	Standard Volume m ³
11510	1	1.2	0.004

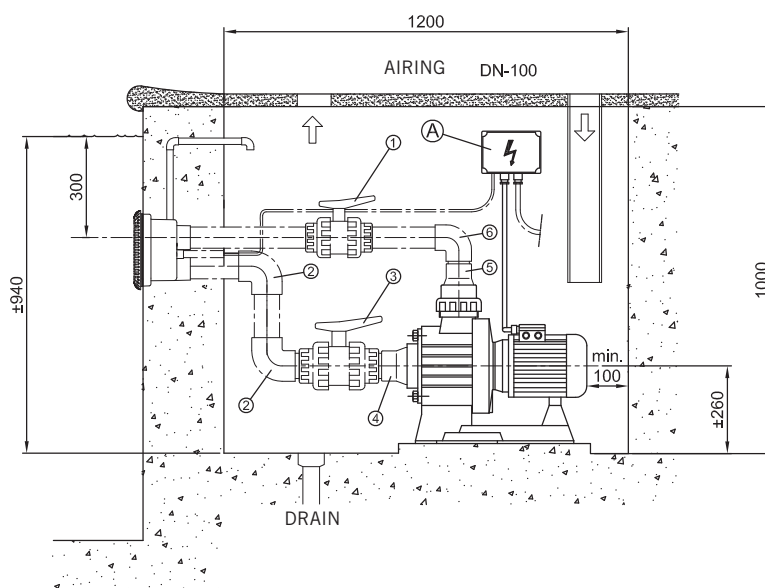
COUNTERCURRENT SWIMMING EQUIPMENT: MARLIN

Countercurrent swimming equipment Marlin XS



New set nozzle Mini Eco counter current unit. Highly competitive in its hydraulic performance. It can be installed in both concrete and prefabricated pools. Manufactured in white plastic parts. Composes of front panel nozzle set and stop/start push button. Supplied with installation kit.

	Code	Standard Packaging	Standard Weight kg	Standard Volume m ³
Marlin XS	45618	1	1.553	0.015



COUNTERCURRENT SWIMMING EQUIPMENT: MARLIN

The innovative design and concept supplied as a kit (including face plate, housing, control box and pump) makes it an element which will add significant value to your pool. A highly competitive product thanks to its high performance hydraulic features, the Marlin Countercurrent System is available in 3 models, the Marlin 30 II, the Marlin 30 III and the Marlin 45 III. Possibility of attaching grab rails and hydromassage hose.

Marlin 30 II (single-phase)

Consists of: Nozzle faceplate, plastic housing, control box and pump 2.2 kW (3 HP) 230 V II 50 Hz.



Code	Standard Packaging	Standard Weight kg	Standard Volume m ³
35375	1	37.4	0.260

Marlin 30 III (three-phase)

Consists of: Nozzle faceplate, plastic housing, control box and pump 2H2 kW (3 HP) 400 V III 50 Hz.

Code	Standard Packaging	Standard Weight kg	Standard Volume m ³
35376	1	37.4	0.260

Marlin 45 III (three-phase)

Consists of: Nozzle faceplate, plastic housing, control box and pump 3.3 kW (4.5 HP) 400 V III 50 Hz.

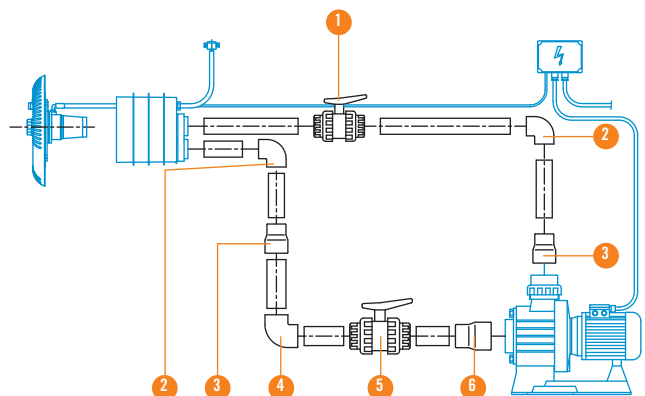
Code	Standard Packaging	Standard Weight kg	Standard Volume m ³
35377	1	42.2	0.260



Note: with liner pools the code 11503 is required.

Accessories (not included in the kit)

Pos	Q	Denomination	Code
1	1	PVC Ball valve Ø63 mm	02458
2	2	PVC elbow 90° Ø63 mm	01717
3	2	Conical reduction Ø90-75x63 mm	01993
4	1	PVC elbow 90° Ø75 mm	01718
5	1	PVC Ball valve Ø75 mm	02459
6	1	Conical reduction Ø110-90x75 mm	01997
-	-	PVC pipe Ø63 mm PN-6	02692
-	-	PVC pipe Ø75 mm PN-6	02693



"AQUARMONY" UNDERWATER MUSICAL SYSTEM



Aquarmony Loudspeaker

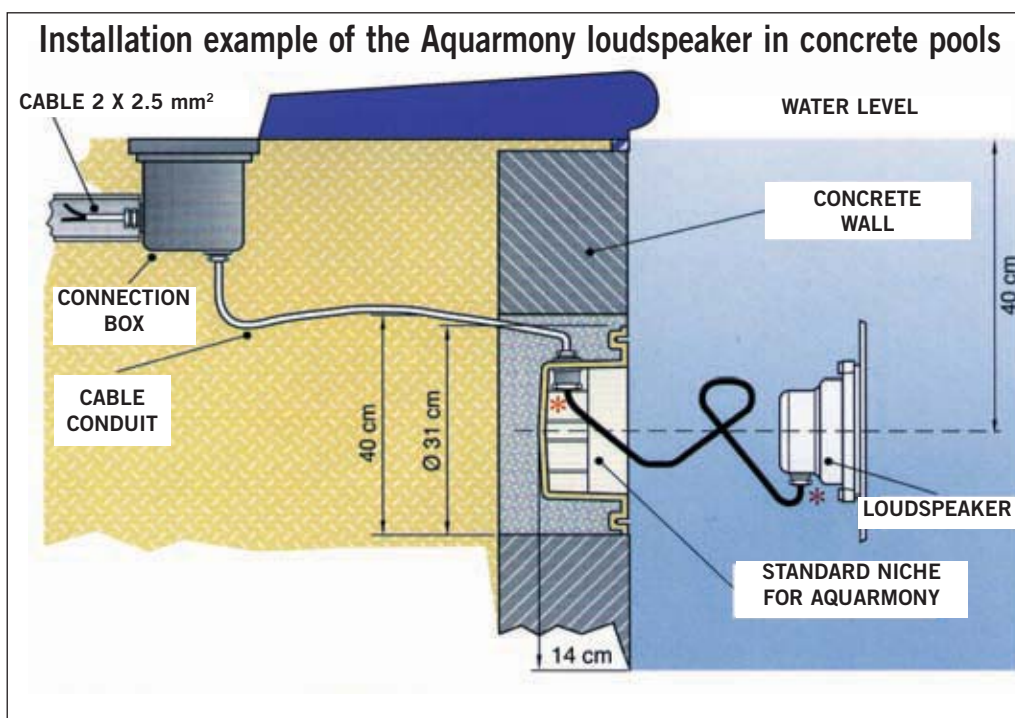
With frontal installation. To listen to music and voice underwater creating a magical and different atmosphere. Aquarmony is a sealed waterproof loudspeaker designed for your pool. It is made of high quality components, innovative technology and with an assembly system assuring a correct operation in salt water or with a high Chlorine content. Easy installation.



Code	Standard Packaging	Standard Weight kg	Standard Volume m ³
25680	-	-	-

Technical characteristics

Maximum power	60 W
Impedance	4 ohm
Frequency	200-12,000 Hz
Maximum area per loudspeaker	80 m ²
Maximum installation depth	40 cm
Weight	5 Kg
Cable lenght supplied	5 m



Niche for concrete pool

Includes gland and 1.5 m special cable conduit for Arquarmony.

Code	Standard Packaging	Standard Weight kg	Standard Volume m ³
26158	-	-	-



Niche for liner pool

Includes gland and 1.5 m special cable conduit for Arquarmony.

Code	Standard Packaging	Standard Weight kg	Standard Volume m ³
26159	-	-	-

"AQUARMONY" UNDERWATER MUSICAL SYSTEM



Amplifier and loudspeakers - RK 600 System

Amplifier system for one or two Aquarmony loudspeakers. Assembled and fitted into a "Rack 12U" rack. The rack has space available for installing an additional amplifier. It is made up of:

- CD reader
- 4 in line inlet mixer + 2 microphone inlets for separate line controls.
- 120 W power amplifier with isolation transformer
- One complete "Rack 12U" rack.

CCode	Standard Packaging	Standard Weight kg	Standard Volume m ³
LIT001988	1	-	-



POOL LINING MATERIAL

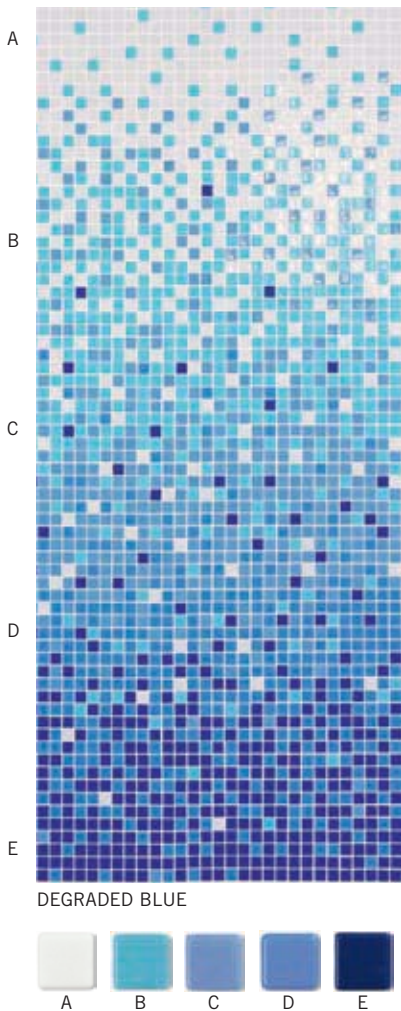


- 350 • Vitreous lining
- 364 • Liner 75/100°
- 366 • Liner classification according to pool
- 368 • Standard liner calculation method
- 371 • Liners for steps
- 372 • PVC reinforced 150/100° liner
- 374 • Liner installation and fixing
- 375 • Liner accessories
- 377 • Steps units
- 379 • Conditions for accepting and order



VITREOUS LINING

Model: SMOOTH



Degraded model using these five colours:

POSITIONS:

A: White - B: Pool Blue - C: Bright Blue - D: Standard Blue - E: Dark Blue.

CUSTOM MADE DEGRADED

Indicate dimensions to recover and the selection of colours to combine for obtaining your customised area.

Check with your distributor.

Pressed and later cooked Vitreous mosaic.

Developed and designed to resist chemical products, frost, stain and other hard weather conditions.

Due to its unalterability, easy clean and installation it is an optimum alternative to recover pools, wellness or outdoor-indoor decoration.

TECHNICAL CHARACTERISTICS

UNE-EN ISO	10545-3:1997	Water absorption	< 0.1%
	EN-101:1991	Scratch resistance (Mohs)	5
UNE-ENV	12633:2003 Addendum A	Slip resistance (Pendulum)	11
UNE-EN ISO	10545-9:1997	Termical shock resistance	Resists
UNE-EN ISO	10545-12:1997	Frost resistance	Resists
UNE-EN ISO	10545-14:1998	Stain resistance	Class 5 (Hot water)
UNE-EN ISO	10545-13:1998	Chemical resistance	Class A resistance

OPTIONS

NOMINAL FORMAT	THICKNESS	PAPER	PLOT	FIBER	POLYURETHANE
25 x 25 mm	4.2 - 4.7 mm	Available	-	-	Available
50 x 50 mm	5.2 - 5.7 mm	-	Available	-	-

FINISHED

	PAPER	PLOT	POLYURETHANE
PAPER: Once applied to wall, paper must be removed.			
PLOT AND POLYURETHANE: Both stuck to the rear side of the mosaic plate. It will remain directly to the support.			

PACKAGING

FORMAT	m ² /Box	m ² /Pallet	Box/Pallet	Kg/Box	Kg/Pallet
25 x 25 mm Standard	2	144	72	18	1316
50 x 50 mm Standard	2	108	54	22	1208

COMBINATIONS 25 x 25 mm

BALEARES WHITE - POOL BLUE	AGUAMARINA WHITE - STD. BLUE - DARK BLUE	MALDIVAS WHITE - STD. BLUE

Possibility of combine other smooth colours. Check with your distributor.

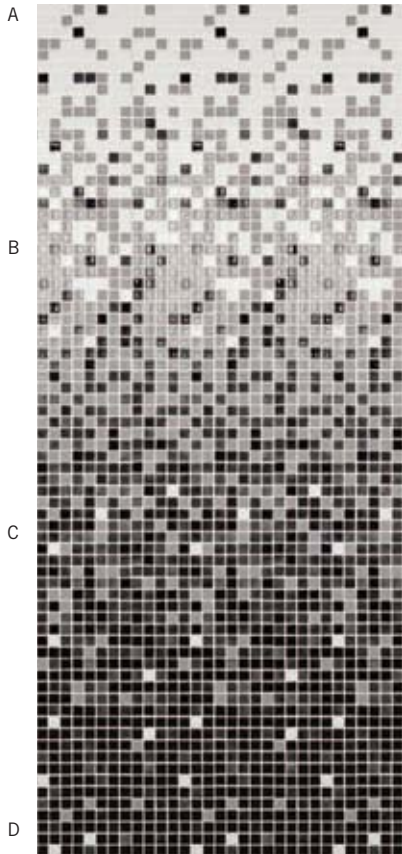
CODES

FORMAT	GREEN-254	VIOLET-270	GREEN-271	BRIGHT BLUE	STD. BLUE	POOL BLUE	DARK BLUE	COBALT BLUE	WHITE	YELLOW	ORANGE	RED	GREY-258	BLACK
25 x 25 mm PAPER	44792	44794	21316	21293	21292	44802	21294	21303	21291	44801	44804	43632	21313	21296
25 x 25 mm POLYUR.	54341	54349	54350	54361	54364	54365	54363	54362	54369	54358	54397	54410	54344	54398
50 x 50 mm PLOT	44999	45002	45003	45011	45014	45015	45013	45012	45016	45010	45018	45027	45001	45019

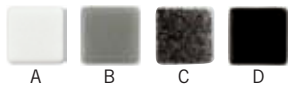
New

VITREOUS LINING

Model: FOG



DEGRADED NIGHT



Degraded model using these four colours:
POSITIONS:
A: White - B: Grey - C: Black fog - D: Black




CUSTOM MADE DEGRADED

Indicate dimensions to recover and the selection of colours to combine for obtaining your customised area.
Check with your distributor.

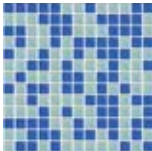
Pressed and later cooked Vitreous mosaic.
Developed and designed to resist chemical products, frost, stain and other hard weather conditions.
Due to its unalterability, easy clean and installation it is an optimum alternative to recover pools, wellness or outdoor-indoor decoration.

TECHNICAL CHARACTERISTICS			
UNE-EN ISO	10545-3:1997	Water absorption	< 0.1%
	EN-101:1991	Scratch resistance (Mohs)	5
UNE-ENV	12633:2003 Addendum A	Slip resistance (Pendulum)	17
UNE-EN ISO	10545-9:1997	Termical shock resistance	Resists
UNE-EN ISO	10545-12:1997	Frost resistance	Resists
UNE-EN ISO	10545-14:1998	Stain resistance	Class 5 (Hot water)
UNE-EN ISO	10545-13:1998	Chemical resistance	Class A resistance

OPTIONS					
NOMINAL FORMAT	THICKNESS	PAPER	PLOT	FIBER	POLYURETHANE
25 x 25 mm	4.2 - 4.7 mm	Available	-	-	Available
50 x 50 mm	5.2 - 5.7 mm	-	Available	-	-

FINISHED	PAPER	PLOT	POLYURETHANE
PAPER: Once applied to wall, paper must be removed.			
PLOT AND POLYURETHANE: Both stuck to the rear side of the mosaic plate. It will remain directly to the support.			

PACKAGING					
FORMAT	m ² /Box	m ² /Pallet	Box/Pallet	Kg/Box	Kg/Pallet
25 x 25 mm Standard	2	144	72	18	1316
50 x 50 mm Standard	2	108	54	22	1208

COMBINATIONS 25 x 25 mm	
 <p>TURQUESA BLUE FOG - DARK FOG</p>	 <p>CARIBE BLUE FOG - POOL FOG</p>

Possibility of combine other foggy colours. Check with your distributor.

CODES									
FORMAT	GREEN-204	VIOLET-210	GREEN-211	BLUE FOG	POOL FOG	DARK FOG	ORANGE FOG	RED FOG	BLACK FOG
25 x 25 mm PAPER	44780	43635	44784	21297	21298	21299	44805	44807	44806
25 x 25 mm POLYURETHANE	54314	54320	54321	54399	54403	54400	54401	54404	54402
50 x 50 mm PLOT	44985	44989	44990	45020	45024	45021	45022	45025	45023

New

VITREOUS LINING

Model: SMOOTH ANTISLIP



Pressed and later cooked Vitreous mosaic.
 Designed for your safety, we introduce this anti slip mosaic.
 Developed and designed to resist chemical products, frost, stain and other hard weather conditions.
 Due to its unalterability, easy clean and installation it is an optimum alternative to recover pools, wellness or outdoor-indoor decoration or walk ways. High adherence in wet areas.

TECHNICAL CHARACTERISTICS (CLASS 2)			
UNE-EN ISO	10545-3:1997	Water absorption	< 0.1%
	EN-101:1991	Scratch resistance (Mohs)	6
UNE-ENV	12633:2003 Addendum A	Slip resistance (Pendulum)	43
UNE-EN ISO	10545-9:1997	Termical shock resistance	Resists
UNE-EN ISO	10545-12:1997	Frost resistance	Resists
UNE-EN ISO	10545-14:1998	Stain resistance	Class 5 (Hot water)
UNE-EN ISO	10545-13:1998	Chemical resistance	Class A resistance

ANTI SLIP TECHNICAL INFORMATION (CLASS 3)		OPTIONAL (ON DEMMAND)	
	DIN51130:2004 Section 5	Slipery critical angle (Ramp)	R13 (36.2°)
UNE-EN ISO	ISO/DIS 10545-17	DFC (Dynamic friction coefficient)	> 0.75 excellent
UNE-ENV	12633:2003 Addendum A	Slip resistance (Pendulum)	67

OPTIONS				
NOMINAL FORMAT	THICKNESS	PLOT	FIBER	POLYURETHANE
25 x 25 mm	4.2 - 4.7 mm	-	-	Available
50 x 50 mm	5.2 - 5.7 mm	Available	-	-

FINISHED	PLOT	POLYURETHANE
<p>PLOT AND POLYURETHANE: Both stuck to the rear side of the mosaic plate. It will remain directly to the support.</p>		

PACKAGING					
FORMAT	m ² /Box	m ² /Pallet	Box/Pallet	Kg/Box	Kg/Pallet
25 x 25 mm Standard	2	144	72	18	1316
50 x 50 mm Standard	2	108	54	22	1208

CODES (CLASS 2)

FORMAT	GREEN-254	VIOLET-270	GREEN-271	BRIGHT BLUE	STD. BLUE	POOL BLUE	DARK BLUE	COBALT BLUE	WHITE	YELLOW	ORANGE	RED	BLACK
25 x 25 mm POLYURETHANE	54228	54236	54237	54248	54251	54252	54250	54249	54256	54245	54276	54288	54277
50 x 50 mm PLOT	45806	45809	45810	45818	45821	45822	45820	45819	45823	45817	45825	45834	45826

New

VITREOUS LINING

Model: FOG ANTISLIP





Pressed and later cooked Vitreous mosaic.
 Designed for your safety, we introduce this anti slip mosaic.
 Developed and designed to resist chemical products, frost, stain and other hard weather conditions.
 Due to its unalterability, easy clean and installation it is an optimum alternative to recover pools, wellness or outdoor-indoor decoration or walk ways. High adherence in wet areas.

TECHNICAL CHARACTERISTICS (CLASS 2)			
UNE-EN ISO	10545-3:1997	Water absorption	< 0.1%
	EN-101:1991	Scratch resistance (Mohs)	6
UNE-ENV	12633:2003 Addendum A	Slip resistance (Pendulum)	43
UNE-EN ISO	10545-9:1997	Termical shock resistance	Resists
UNE-EN ISO	10545-12:1997	Frost resistance	Resists
UNE-EN ISO	10545-14:1998	Stain resistance	Class 5 (Hot water)
UNE-EN ISO	10545-13:1998	Chemical resistance	Class A resistance










ANTI SLIP TECHNICAL INFORMATION (CLASS 3)		OPTIONAL (ON DEMMAND)	
	DIN51130:2004 Section 5	Slipery critical angle (Ramp)	R13 (36.2°)
UNE-EN ISO	ISO/DIS 10545-17	DFC (Dynamic friction coefficient)	> 0.75 excellent
UNE-ENV	12633:2003 Addendum A	Slip resistance (Pendulum)	67

OPTIONS				
NOMINAL FORMAT	THICKNESS	PLOT	FIBER	POLYURETHANE
25 x 25 mm	4.2 - 4.7 mm	-	-	Available
50 x 50 mm	5.2 - 5.7 mm	Available	-	-

FINISHED	PLOT	POLYURETHANE
<p>PLOT AND POLYURETHANE: Both stuck to the rear side of the mosaic plate. It will remain directly to the support.</p>		

PACKAGING					
FORMAT	m ² /Box	m ² /Pallet	Box/Pallet	Kg/Box	Kg/Pallet
25 x 25 mm Standard	2	144	72	18	1316
50 x 50 mm Standard	2	108	54	22	1208

CODES (CLASS 2)

									
FORMAT	GREEN-204	VIOLET-210	GREEN-211	BLUE FOG	POOL FOG	DARK FOG	ORANGE FOG	RED FOG	BLACK FOG
25 x 25 mm POLYURETHANE	54201	54207	54508	54278	54282	54279	54280	54283	54281
50 x 50 mm PLOT	45792	45796	45797	45827	45831	45828	45829	45832	45830

New

VITREOUS LINING

Model: GLOSSY



Pressed and later cooked Vitreous mosaic.
Iridescent effect. Bright and colour variations according to the light exposure.
Developed and designed to resist chemical products, frost, stain and other hard weather conditions.
Due to its unalterability, easy clean and installation it is an optimum alternative to recover pools, wellness or outdoor-indoor decoration.

TECHNICAL CHARACTERISTICS			
UNE-EN ISO	10545-3:1997	Water absorption	< 0.1%
	EN-101:1991	Scratch resistance (Mohs)	5
UNE-ENV	12633:2003 Addendum A	Slip resistance (Pendulum)	11
UNE-EN ISO	10545-9:1997	Termical shock resistance	Resists
UNE-EN ISO	10545-12:1997	Frost resistance	Resists
UNE-EN ISO	10545-14:1998	Stain resistance	Class 5 (Hot water)
UNE-EN ISO	10545-13:1998	Chemical resistance	Class A resistance

OPTIONS				
NOMINAL FORMAT	THICKNESS	PLOT	FIBER	POLYURETHANE
25 x 25 mm	4.2 - 4.7 mm	-	-	Available

FINISHED	POLYURETHANE
<p>POLYURETHANE: Sticked to the rear side of the mosaic plate. It will remain directly to the support.</p>	

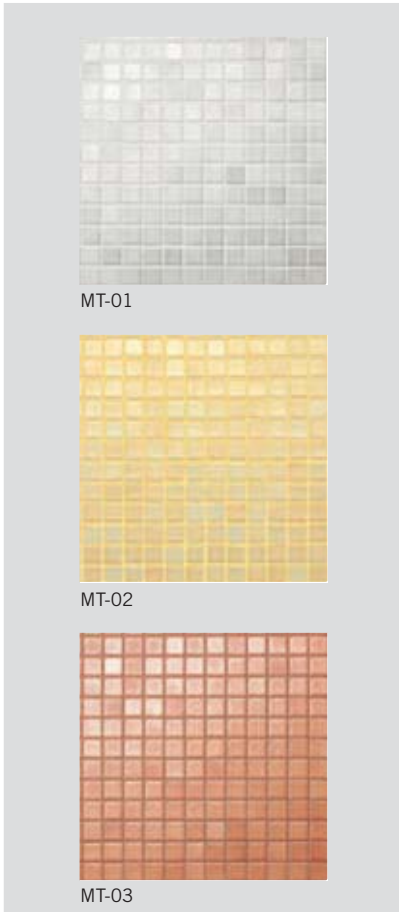
PACKAGING					
FORMAT	m ² /Box	m ² /Pallet	Box/Pallet	Kg/Box	Kg/Pallet
25 x 25 mm Standard	1	144	144	9	1316

CODES												
FORMAT	G-301	G-302	G-303	G-304	G-305	G-306	G-307	G-308	G-309	G-310	G-311	G-312
25 x 25 mm POLYURETHANE	54156	54157	54158	54159	54160	54161	54162	54163	54164	54165	54166	54167

New

VITREOUS LINING


Model: METAL-AIR






Pressed and later cooked Vitreous mosaic.
Iridiscent effect. Metallic finished.
Developed and designed to resist chemical products, frost, stain and other hard weather conditions.
Due to its unalterability, easy clean and installation it is an optimum alternative to recover pools, wellness or outdoor-indoor decoration.

TECHNICAL CHARACTERISTICS			
UNE-EN ISO	10545-3:1997	Water absorption	< 0.1%
	EN-101:1991	Scratch resistance (Mohs)	5
UNE-ENV	12633:2003 Addendum A	Slip resistance (Pendulum)	17
UNE-EN ISO	10545-9:1997	Termical shock resistance	Resists
UNE-EN ISO	10545-12:1997	Frost resistance	Resists
UNE-EN ISO	10545-14:1998	Stain resistance	Class 5 (Hot water)
UNE-EN ISO	10545-13:1998	Chemical resistance	Class A resistance

OPTIONS				
NOMINAL FORMAT	THICKNESS	PLOT	FIBER	POLYURETHANE
25 x 25 mm	4.2 - 4.7 mm	-	-	Available

FINISHED	POLYURETHANE
<p>POLYURETHANE: Sticked to the rear side of the mosaic plate. It will remain directly to the support.</p>	

PACKAGING					
FORMAT	m ² /Box	m ² /Pallet	Box/Pallet	Kg/Box	Kg/Pallet
25 x 25 mm Standard	1	144	144	9	1316

CODES			
			
FORMAT	MT-01	MT-02	MT-03
25 x 25 mm POLYURETHANE	54394	54395	54396

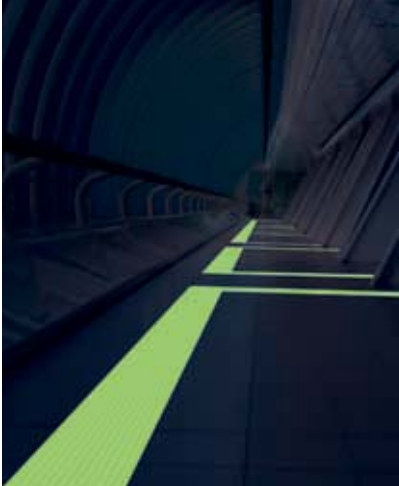
New



We reserve the right to change all or part of the features of the articles or contents of this document, without prior notice.

VITREOUS LINING

Model: MOON LUMINISCENT



Pressed and later cooked Vitreous mosaic.
Iridescent effect. After being charged while lights are on, will emit smooth light.
Developed and designed to resist chemical products, frost, stain and other hard weather conditions.
Due to its unalterability, easy clean and installation it is an optimum alternative to recover pools, wellness or outdoor-indoor decoration.

TECHNICAL CHARACTERISTICS			
UNE-EN ISO	10545-3:1997	Water absorption	< 0.1%
	EN-101:1991	Scratch resistance (Mohs)	5
UNE-ENV	12633:2003 Addendum A	Slip resistance (Pendulum)	11
UNE-EN ISO	10545-9:1997	Termical shock resistance	Resists
UNE-EN ISO	10545-12:1997	Frost resistance	Resists
UNE-EN ISO	10545-14:1998	Stain resistance	Class 5 (Hot water)
UNE-EN ISO	10545-13:1998	Chemical resistance	Class A resistance



OPTIONS				
NOMINAL FORMAT	THICKNESS	PLOT	FIBER	POLYURETHANE
25 x 25 mm	4.2 - 4.7 mm	-	-	Available

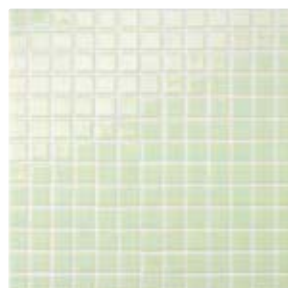
FINISHED	POLYURETHANE
<p>POLYURETHANE: Sticked to the rear side of the mosaic plate. It will remain directly to the support.</p>	

PACKAGING					
FORMAT	m ² /Box	m ² /Pallet	Box/Pallet	Kg/Box	Kg/Pallet
25 x 25 mm Standard	1	144	144	9	1316

CODES

FORMAT	LU-01	LU-02
25 x 25 mm POLYURETHANE	54389	54390

New



VITREOUS LINING

Model: MATTE




Pressed and later cooked Vitreous mosaic. Matte finish.
Developed and designed to resist chemical products, frost, stain and other hard weather conditions.








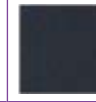


Due to its unalterability, easy clean and installation it is an optimum alternative to recover pools, wellness or outdoor-indoor decoration.

TECHNICAL CHARACTERISTICS			
UNE-EN ISO	10545-3:1997	Water absorption	< 0.1%
	EN-101:1991	Scratch resistance (Mohs)	5
UNE-ENV	12633:2003 Addendum A	Slip resistance (Pendulum)	17
UNE-EN ISO	10545-9:1997	Termical shock resistance	Resists
UNE-EN ISO	10545-12:1997	Frost resistance	Resists
UNE-EN ISO	10545-14:1998	Stain resistance	Class 5 (Hot water)
UNE-EN ISO	10545-13:1998	Chemical resistance	Class A resistance

OPTIONS				
NOMINAL FORMAT	THICKNESS	PLOT	FIBER	POLYURETHANE
25 x 25 mm	4.2 - 4.7 mm	-	-	Available

FINISHED	POLYURETHANE
<p>POLYURETHANE: Sticked to the rear side of the mosaic plate. It will remain directly to the support.</p>	

PACKAGING					
FORMAT	m ² /Box	m ² /Pallet	Box/Pallet	Kg/Box	Kg/Pallet
25 x 25 mm Standard	1	144	144	9	1316

CODES										
										
FORMAT	MA-01	MA-02	MA-03	MA-04	MA-05	MA-06	MA-07	MA-08	MA-09	MA-10
25 x 25 mm POLYURETHANE	54174	54175	54176	54177	54178	54179	54180	54181	54182	54183

New

VITREOUS LINING

Model: COLOUR



Cut and coloured glass.

Developed and designed to resist chemical products, frost, stain and other hard weather conditions.

Due to its unalterability, easy clean and installation it is an optimum alternative to recover pools, wellness or outdoor-indoor decoration.

TECHNICAL CHARACTERISTICS			
UNE-EN ISO	10545-3:1997	Water absorption	< 0.1%
	EN-101:1991	Scratch resistance (Mohs)	4
UNE-ENV	12633:2003 Addendum A	Slip resistance (Pendulum)	15
UNE-EN ISO	10545-12:1997	Frost resistance	Resists
UNE-EN ISO	10545-14:1998	Stain resistance	Class 5 (Hot water)

OPTIONS				
NOMINAL FORMAT	THICKNESS	PAPER	PLOT	FIBER
25 x 25 mm	5 mm	-	-	Available

FINISHED	FIBER
<p>FIBER: Sticked to the rear side of the mosaic plate. It will remain directly to the support.</p>	

PACKAGING					
FORMAT	m ² /Box	m ² /Pallet	Box/Pallet	Kg/Box	Kg/Pallet
25 x 25 mm Standard	1	99	99	11,5	1138,5

CODES									
FORMAT	PC-1001	PC-1007	PC-1011	PC-1013	PC-1015	PCMIX-2002	PCMIX-2004	PCMIX-2009	PCMIX-2012
25 x 25 mm FIBER	45063	45067	45070	45072	40821	45054	45056	45061	40823

VITREOUS LINING

Model: STAR




Cut and coloured glass.

Developed and designed to resist chemical products, frost, stain and other hard weather conditions.







Due to its unalterability, easy clean and installation it is an optimum alternative to recover pools, wellness or outdoor-indoor decoration.

TECHNICAL CHARACTERISTICS			
UNE-EN ISO	10545-3:1997	Water absorption	< 0.1%
	EN-101:1991	Scratch resistance (Mohs)	4
UNE-ENV	12633:2003 Addendum A	Slip resistance (Pendulum)	15
UNE-EN ISO	10545-12:1997	Frost resistance	Resists
UNE-EN ISO	10545-14:1998	Stain resistance	Class 5 (Hot water)

OPTIONS				
NOMINAL FORMAT	THICKNESS	PAPER	PLOT	FIBER
25 x 25 mm	5 mm	-	-	Available

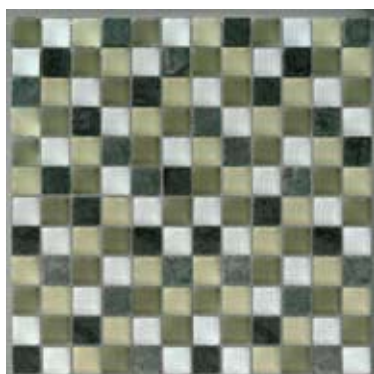
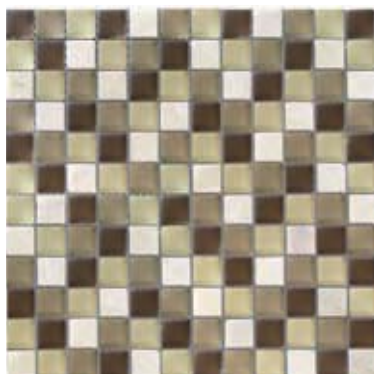
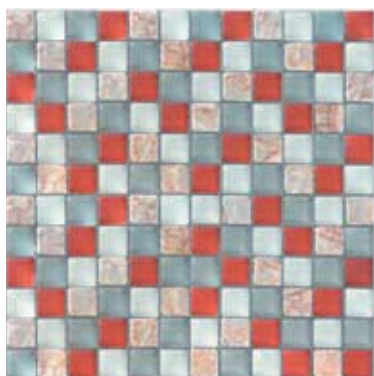
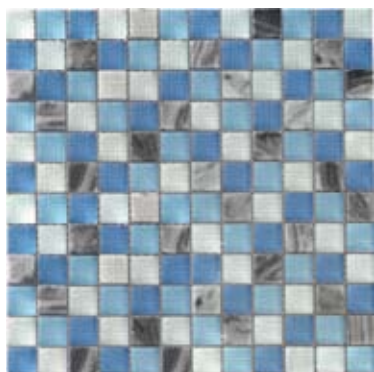
FINISHED	FIBER
FIBER: Sticked to the rear side of the mosaic plate. It will remain directly to the support.	

PACKAGING					
FORMAT	m ² /Box	m ² /Pallet	Box/Pallet	Kg/Box	Kg/Pallet
25 x 25 mm Standard	1	99	99	11,5	1138,5

CODES						
						
FORMAT	PC-3001	PC-3004	PC-3006	PC-3010	PSMIX-4001	PSMIX-4002
25 x 25 mm FIBER	45097	45100	45102	45106	45095	45096

VITREOUS LINING

Model: MARBLE



Cut and coloured glass, mixed up with marble.

Due to its unalterability, easy clean and installation it is an optimum alternative to recover pools, wellness or outdoor-indoor decoration.

TECHNICAL CHARACTERISTICS			
UNE-EN ISO	10545-3:1997	Water absorption	< 0.1%
	EN-101:1991	Scratch resistance (Mohs)	4
UNE-ENV	12633:2003 Addendum A	Slip resistance (Pendulum)	15

OPTIONS				
NOMINAL FORMAT	THICKNESS	PAPER	PLOT	FIBER
23 x 23 mm	8 mm	-	-	Available

FINISHED	FIBER
FIBER: Sticked to the rear side of the mosaic plate. It will remain directly to the support.	

PACKAGING					
FORMAT	m ² /Box	m ² /Pallet	Box/Pallet	Kg/Box	Kg/Pallet
23 x 23 mm Standard	1	63	63	16	1008

CODES				
FORMAT	PCMIX-6001	PCMIX-6002	PCMIX-6007	PCMIX-6009
23 x 23 mm FIBER	45076	43626	45081	45083



VITREOUS LINING

Model: FLASH - Digital decoration

Cut and coloured Glass, with **digital decoration**.

Any kind of digital graphic design can be done, keeping all the vitreous mosaic characteristics. High resolution pictures are requested, with a minimum of 2 MB per m².

Any custom made pictures available based on customers requirements.

Developed and designed to resist chemical products, frost, stain and other hard weather conditions.

Due to its unalterability, easy clean and installation it is an optimum alternative to recover pools, wellness or outdoor-indoor decoration.

**FLASH
IMPRESSES CUSTOMISED**

We customise your vitreous mosaic with the photograph that you wish.
Minimum requirement 2 MB per m².
Check with your distributor.

TECHNICAL CHARACTERISTICS

UNE-EN ISO	10545-3:1997	Water absorption	< 0.1%
	EN-101:1991	Scratch resistance (Mohs)	5
UNE-ENV	12633:2003 Addendum A	Slip resistance (Pendulum)	11
UNE-EN ISO	10545-9:1997	Termical shock resistance	Resists
UNE-EN ISO	10545-12:1997	Frost resistance	Resists
UNE-EN ISO	10545-14:1998	Stain resistance	Class 5 (Hot water)
UNE-EN ISO	10545-13:1998	Chemical resistance	Class A resistance

CODE

51749

OPTIONS

NOMINAL FORMAT	THICKNESS
25 x 25 mm	4.2 - 4.7 mm

FINISHED

TRANSPARENT FILM

PACKAGING

FORMAT	m ² /Box	m ² /Pallet	Box/Pallet	Kg/Box	Kg/Pallet
25 x 25 mm Standard	2	144	72	18	131



VITREOUS LINING

Model: PATTERNED BORDERS

Pressed and later cooked vitreous mosaic.

Developed and designed to resist chemical products, frost, stain and other hard weather conditions.

Due to its unalterability, easy clean and installation it is an optimum alternative to recover pools, wellness or outdoor-indoor decoration.

NOTE

Patterned borders can be customised with the colours that you wish.
Check with your distributor.

TECHNICAL CHARACTERISTICS

UNE-EN ISO	10545-3:1997	Water absorption	< 0.1%
	EN-101:1991	Scratch resistance (Mohs)	5
UNE-ENV	12633:2003 Addendum A	Slip resistance (Pendulum)	11
UNE-EN ISO	10545-9:1997	Thermal shock resistance	Resists
UNE-EN ISO	10545-12:1997	Frost resistance	Resists
UNE-EN ISO	10545-14:1998	Stain resistance	Class 5 (Hot water)
UNE-EN ISO	10545-13:1998	Chemical resistance	Class A resistance

OPTIONS

NOMINAL FORMAT	THICKNESS
25 x 25 mm	4.2 - 4.7 mm

FINISHED

Once applied to wall, paper must be removed.

PAPER



PACKAGING

FORMAT	m ² /Box	m ² /Pallet	Box/Pallet	Kg/Box	Kg/Pallet
25 x 25 mm Standard	2	144	72	18	1316
25 x 25 mm Standard-45853	6	432	72	14	1008

CODES

25 x 25 mm	LENGTH X HEIGHT		
22164	300 x 180 mm		<ul style="list-style-type: none"> DARK BROWN CREAM
45851	300 x 180 mm		<ul style="list-style-type: none"> ORANGE DARK BLUE
45852	300 x 180 mm		<ul style="list-style-type: none"> WHITE GREY-258 VIOLET-270
16040	325 x 26 mm		<ul style="list-style-type: none"> POOL BLUE DARK BLUE
45853	300 x 26 mm		<ul style="list-style-type: none"> YELLOW ORANGE VIOLET-270 GREEN 271 RED BLACK
45854	300 x 75 mm		<ul style="list-style-type: none"> RED WHITE BLACK

VITREOUS LINING

Model: STANDARD MOSAIC DESIGNS

Pressed and later cooked vitreous mosaic.


Developed and designed to resist chemical products, frost, stain and other hard weather conditions.

Due to its unalterability, easy clean and installation it is an optimum alternative to recover pools, wellness or outdoor-indoor decoration.



TECHNICAL CHARACTERISTICS			
UNE-EN ISO	10545-3:1997	Water absorption	< 0.1%
	EN-101:1991	Scratch resistance (Mohs)	5
UNE-ENV	12633:2003 Addendum A	Slip resistance (Pendulum)	11
UNE-EN ISO	10545-9:1997	Termical shock resistance	Resists
UNE-EN ISO	10545-12:1997	Frost resistance	Resists
UNE-EN ISO	10545-14:1998	Stain resistance	Class 5 (Hot water)
UNE-EN ISO	10545-13:1998	Chemical resistance	Class A resistance

OPTIONS	
NOMINAL FORMAT	THICKNESS
25 x 25 mm	4.2 - 4.7 mm

FINISHED	PAPER
Once applied to wall, paper must be removed.	

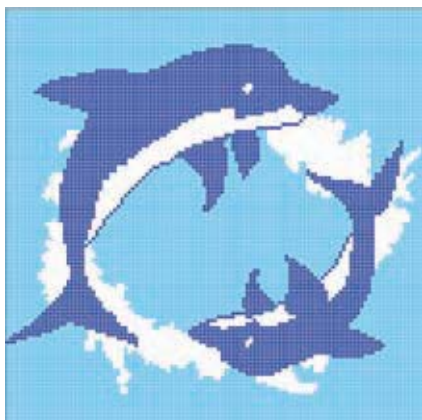
PACKAGING					
FORMAT	m ² /Box	m ² /Pallet	Box/Pallet	Kg/Box	Kg/Pallet
25 x 25 mm Standard	Check with your distributor				



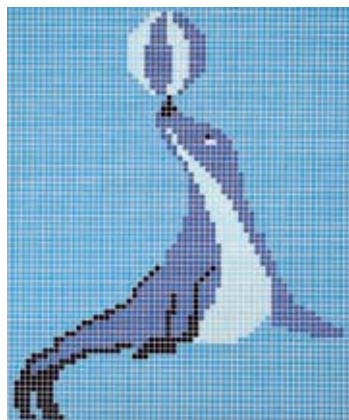
16043 - DOLPHIN 3330 x 1330 mm



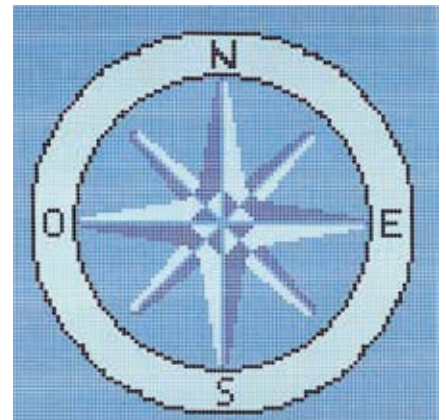
45151 - SUN AND MOON 2000 x 2000 mm



45152 - PLAYING DOLPHINS 3330 x 1330 mm



45159 - SEAL 2000 x 2670 mm



45160 - COMPASS ROSE 2670 x 2670 mm

We reserve the right to change all or part of the features of the articles or contents of this document, without prior notice.

LINER 75/100°

Pool liner 75/100°

Ideal for residential pools. Manufactured in reinforced PVC-P, this material is the most used for lining pools thanks to enhanced malleability, resistance to tearing, ease of welding, resistance to discoloration by UV rays and with a wide range of available colours.

Made-to-measure liners are put together by high frequency welding machines at our facilities. Perfectly adaptable to any pool design or shape, with excellent watertight features, so you can forget about annoying leaks.

Liner characteristics:

- Manufactured in PVC. We use a fully recyclable polymer made from petroleum and sodium chloride.
- Chemical and mechanical properties are provided by additives that comply with international standards and the Manufacturer's Letter of Commitment. The use of cadmium compounds is currently forbidden and, in 2010, lead-based compounds will be forbidden.
- PVC does not release dioxins into the atmosphere and can be recycled by means of Lindell type degasification. Pool liner is normally reused for technical floor construction
- Resistant and watertight. AstralPool liner is manufactured from highly resistant PVC (0.75 mm thick) that ensures total watertightness for your pool.
- Smooth and pleasant to touch, it is easy to maintain and durable.
- Highly flexible and adaptable.
- Highly resistant to impacts and tearing.

Plain and printed colours for liner 75/100°



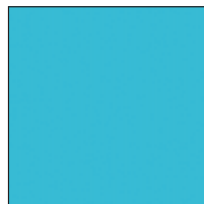
White



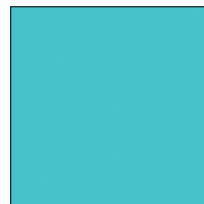
Sand



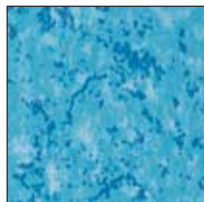
Light blue



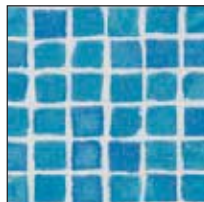
France Blue



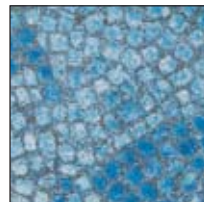
Caribbean Green



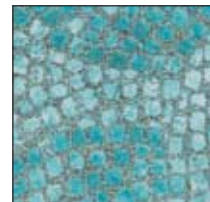
Servanne



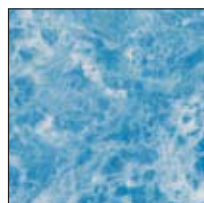
Mosaic



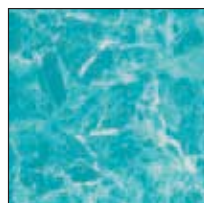
Byzantium blue



Byzantium green



Blue Marble



Green Marble



Sand Marble

Note: Colours in the catalogue are approximate.

Note: Colours in the catalogue are approximate.

LINER 75/100°

Patterned borders 75/100° - Height 24 cm



Pompeii blue



Mykonos blue



Olympia blue



Pompeii green



Mykonos green



Olympia green



Cologne blue



Castile blue



Allegro blue



Cologne green



Castile green



Allegro green



Rocks



Boreal



Navalon blue



Florentine



Sebastian



Carthage blue



Carthage ocre



Carthage green

LINER CLASSIFICATION ACCORDING TO POOL

Standard pool liners 75/100°

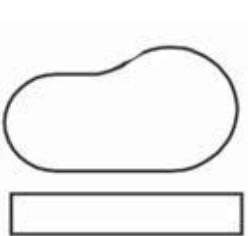
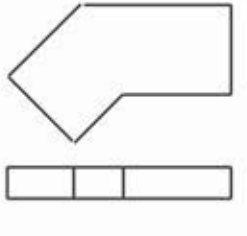
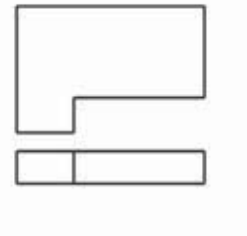
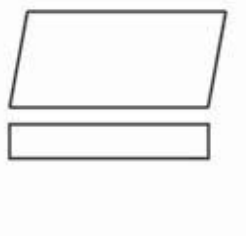
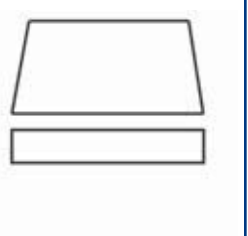

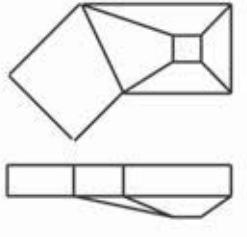
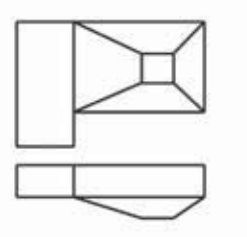
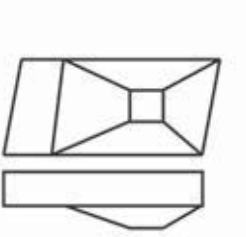
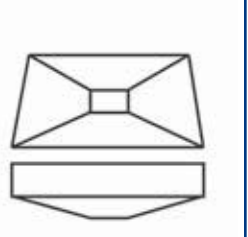
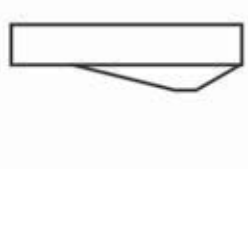
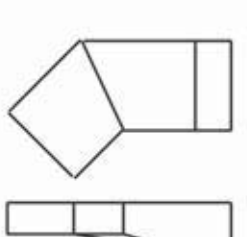
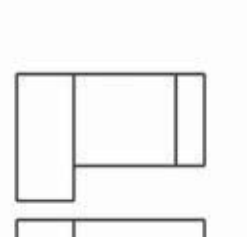
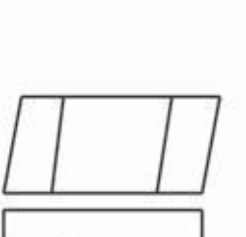
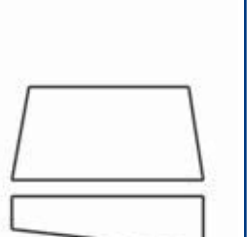
RECTANGULAR			ROUND	OVAL	OVOID SHAPED

Solid colour models		Code
	Light blue	09278
	France blue	09277
	Caribbean green	09281
	White	09279
	Sand	16131

Printed colour models		Code
	Servanne	26668
	Mosaic	09280
	Blue Marble	16132
	Green Marble	16132V
	Sand Marble	16132A
	Byzantium blue	26669
	Byzantium green	26670

LINER CLASSIFICATION ACCORDING TO POOL

Non-standard pool liners 75/100°

KIDNEY	LAZY	POLYGONAL	PARALLELOGRAM	TRAPEZIUM
				
				
				

POOL LINING MATERIAL

Solid colour models		Code
	Light blue	05810
	France blue	05809
	Caribbean Green	05813
	White	05811
	Sand	16137

Printed colour models		Code
	Servanne	26686
	Mosaic	05812
	Blue Marble	16138
	Green Marble	16138V
	Sand Marble	16138A
	Byzantium blue	26678
	Byzantium green	26679

STANDARD LINER CALCULATION METHOD

RECTANGULAR SHAPE, FLAT FLOOR

Floor surface = length (L) x width (l)

Wall surface = (L + L + l + l) x wall height (h)

Total area = Floor surface + Wall surface

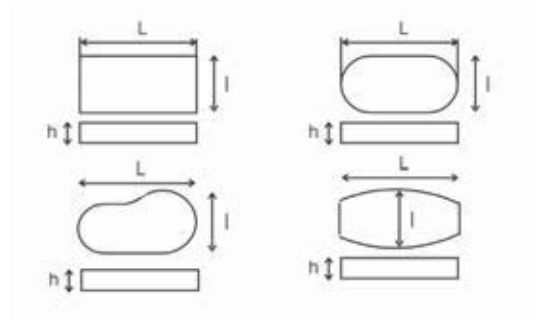
EXAMPLE:

10 x 5 m pool, with a vertical wall height = 1.5 m

Floor area = 10 x 5 = 50 m²

Wall area = (10 + 10 + 5 + 5) x 1.50 = 45 m²

Total area = 50 + 45 = 95 m²



ROUND LINER POOL WITH FLAT FLOOR

Floor area = $\pi \times D^2/4$ ($\pi = 3.14$)

Wall area = diameter (D) x 3.14 x wall height (h)

Total area = Floor surface + Wall surface

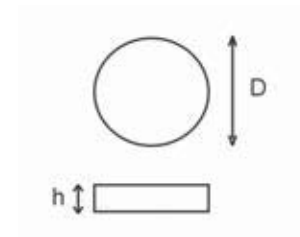
EXAMPLE:

Diameter 6 m round with a wall height of 1.2 m

Floor area = $\pi \times 6^2/4 = 28.3$ m²

Wall area = (6 x 3.14) x 1.20 = 22.60 m²

Total area = 28.3 + 22.60 = approx. 50.9 m²



For round pools with conic floor you can calculate as flan floors and applicate 1.30 coefficient.

RECTANGULAR SHAPE, PYRMIDAL FRUSTUM FLOOR

Floor area = length (L) x width (l) x 1.30

Wall area = (L + L + l + l) x height of the vertical wall. (h)

Total area = Floor surface + Wall surface

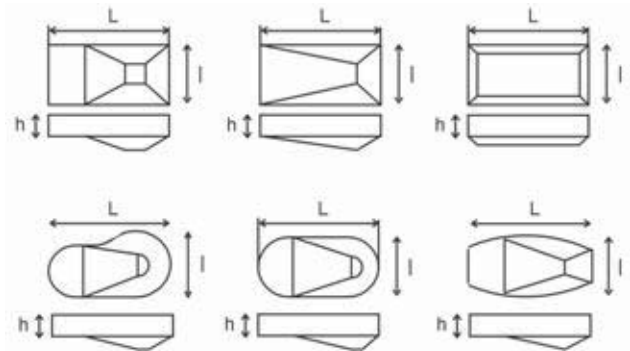
EXAMPLE:

10 x 5 m pool with a vertical wall height of 1.2 m

Floor area = 10 x 5 x 1.30 = 65 m²

Wall area = (10 + 10 + 5 + 5) x 1.20 = 36 m²

Total area = 65 + 36 = 101 m²



RECTANGULAR SHAPE, COMPOUND INCLINATION OR CONTINUOUS INCLINATION

Floor surface = length (L) x width (l)

Wall surface = (L + L + l + l) x average height (h1 + h2):2

Total area = Floor surface + wall surface

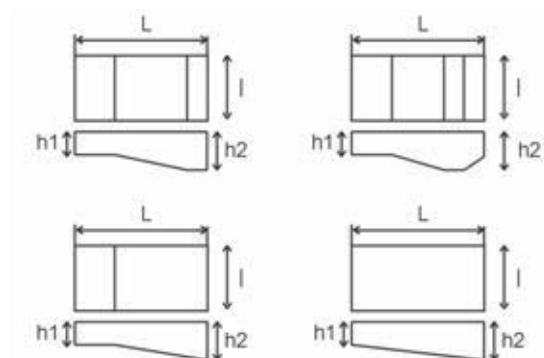
EXAMPLE:

10 x 5 m pool, with a depth of 1.8 m at its deepest part

Floor area = 10 x 5 = 50 m²

Wall area = (10 + 10 + 5 + 5) x ((1.10 + 1.80):2) = 43.50 m²

Total area = 50 + 43.5 = approx. 94 m²



STANDARD LINER CALCULATION METHOD

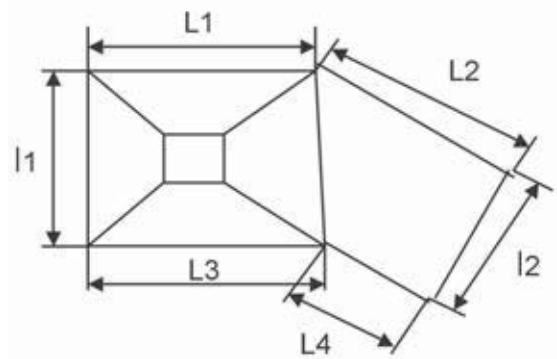
LAZY SHAPE

Floor area = Length (L1 + L2) x longer width (I1) x 1.30
 (Do not multiply by 1.30 if the pool floor does not have a pyramid shape)
 Wall shape = ((L1 + L2 + L3 + L4) + (I1 + I2)) x wall height (h)
 (If the pool floor is inclined, multiply by the average height)
 Total area = Floor area + wall shape

EXAMPLE:

Lazy pool with a pyramidal floor:

L1 = 5 m, L2 = 4 m, L3 = 4 m, L4 = 3 m
 I1 and I2 = 4 m, h = 1.20 m,
 Floor area = (5 + 4) x 4 x 1.30 = 46.80 m²
 Wall shape = ((5 + 4 + 4 + 3) + (4 + 4)) x 1.20 = 28.80 m²
 Total area = 46.80 + 28.80 = aprox. 76 m²



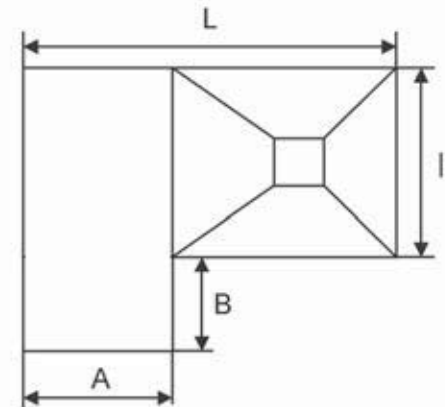
POLYGONAL SHAPE

Floor area = (length (L) x width (I) x 1.30) + (A x B)
 (Do not multiply by 1.30 if the pool floor does not have a pyramid shape)
 Wall shape = (L + L + I + I + B + A) x wall height (h)
 (If the pool floor is inclined, multiply by the average height)
 Total area = Floor surface + wall surface

EXAMPLE:

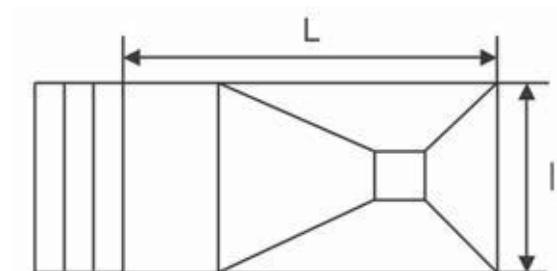
Polygonal shaped pool with a pyramidal floor:

Length = 10 m, width = 5 m, A = 3 m, B = 1.5 m, wall height = 1.10 m
 Pool floor area = (10 x 5 x 1.30) + (3 x 1.50) = 69.50 m²
 Superficie de pared = (10 + 10 + 5 + 5 + 1.50 + 1.50) x 1.10 = 36.30 m²
 Total area = 69.50 + 36.30 = aprox. 106 m²



STAIRS ALONG THE ENTIRE POOL WIDTH

The stairs should not be taken into account for calculating the liner m²
 Add the steps depth for the entire pool side. (see sketch)



STANDARD LINER CALCULATION METHOD

Liners free form pools

Liner models for all kinds of pool shapes requiring triangulation for size calculation.

Solid colours models		Code
	Light blue	16147
	Caribbean green	16149
	White	16150
	Sand	16151

Printed colours models		Code
	Mosaic	16155
	Blue Marble	16152
	Green Marble	16152V
	Sand Marble	16152A
	Byzantium blue	26689
	Byzantium green	26690

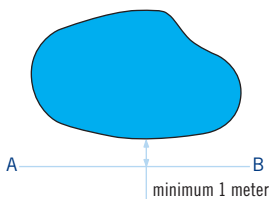
Decoration with patterned borders

Code	Standard Packing	Standard Weight kg.	Standard Volume m ³
16162	-	-	-

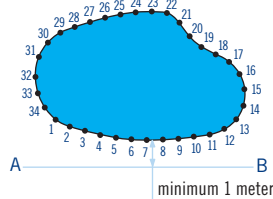
For free shape

Pool triangulation

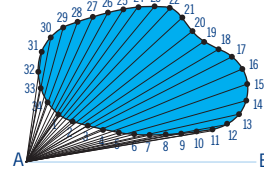
Triangulation is the only reliable way to calculate pool dimensions, regardless of shape. Below we explain the steps to follow in order to obtain exact measurements and pool shape.



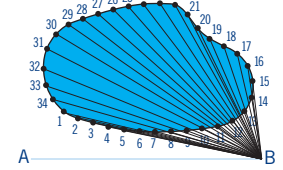
Imagine a straight line alongside the pool. Mark the ends point A and point B. The straight line must be at least one meter from the pool.



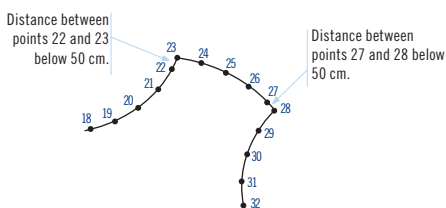
Space the distance indicators every 50 cm and number them as follows: 1, 2, 3, etc. until the entire edge of the pool has been covered.



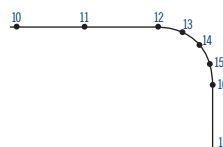
Starting at point A, measure the distance in a straight line from each point marked by a number (e.g. distance from A to 1, from A to 2 and so on).



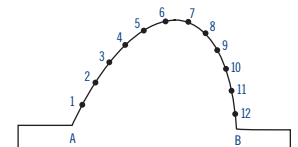
Do as before from point B.



If the pool is not completely round and forms right angles, it is essential you add a point (See example drawing).



When the curves are small, the distance between the points must be reduced so that a minimum of 3 points per arc of circle is obtained.



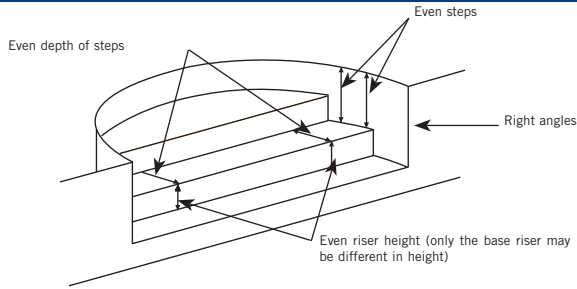
To measure non-geometric steps, place A and B at the base of the steps and proceed as for the triangulation of a free form pool.

LINERS FOR STEPS

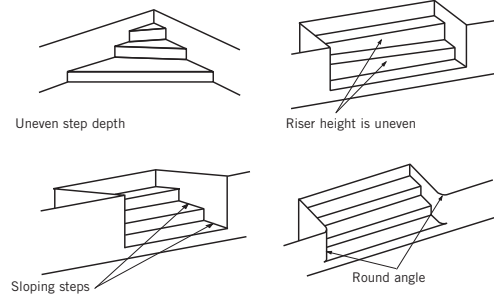
For steps that do not fit the Standard models shown here, request quote.




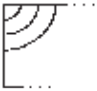
Below we provide you with the details of the shapes and models you can choose from plain or printed liners to ensure you select the correct liner for your pool steps. Steps that are fitted along the breadth of the basin are invoiced in accordance with the standard model RECTA, as long as the width does not exceed 4 meters. **Attention:** the size of the basin should not include the depth of the steps.


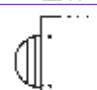
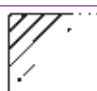
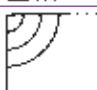
Standard steps



Non Standard steps



Steps		Plain Liner	Plain Liner + Bands	Diagram
Shape	Widths	Code	Code	
Straight	0 to 2 meters	05789	05789B	
	3 to 4 meters	05791	05791B	
Roman	0 to 2 meters	16163	16163B	
	2 to 3 meters	25868	25868B	
	3 to 4 meters	05800	05800B	
Right angle	0 to 2 meters	05803	05803B	
	2 to 3 meters	05804	05804B	
1/4 Circle	0 to 2 meters	16167	16167B	
	2 to 3 meters	089443	089443B	

Steps		Printed Liner	Printed Liner + Bands	Diagram
Shape	Widths	Code	Code	
Straight	0 to 2 meters	05794	05794B	
	2 to 3 meters	05795	05795B	
	3 to 4 meters	05796	05796B	
Roman	0 to 2 meters	16169	16169B	
	2 to 3 meters	05801	05801B	
	3 to 4 meters	05802	05802B	
Right angle	0 to 2 meters	05806	05806B	
	2 to 3 meters	05807	05807B	
1/4 Circle	0 to 2 meters	16173	16173B	
	2 to 3 meters	089446	089446B	

POOL LINING MATERIAL

PVC REINFORCED 150/100° LINER

Codes

New

	Colour	SERIE 2000 1,65 x 25 m	Antislip 1,65 x 20 m
Plain and printed PVC Liner	Light Blue	49908	49923
	Dark Blue	49909	49924
	Green	49910	49925
	White	49911	49926
	Sand	49912	49927
	Grey	49913	49928
	Dark Grey	49914	49929
	Black	49915	49930

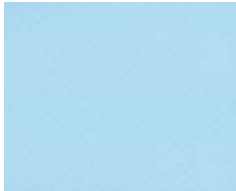
	Colour	S/3000 1,65 x 25 m	Antislip 1,65 x 20 m
Mosaic PVC Liner	Blue Bizance	49916	52610
	Grey Bizance	49917	-
	Dark Mosaic	49918	-
	Carrara	49919	52611
	Marbre	49920	-
	Blue Persia	49921	52609
	Sand Persia	49907	-
	Platinum	49922	-

	Colour	
PVC liquid (1 liter container. 6 units/box)	Grey	52618
	Dark Grey	52619
	Green	52620
	Black	52621
	White	52622
	Transparent	52623
	Light Blue	52624
	Dark Blue	52625
	Sand	52626
	Platinum	52627

	Color	
Lanes mark (25 x 0.25 m)	Black	50798

PVC REINFORCED 150/100° LINER

Colours



Light Blue



Dark Blue



Green



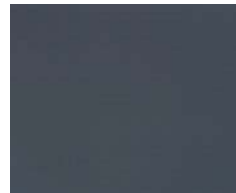
White



Sand



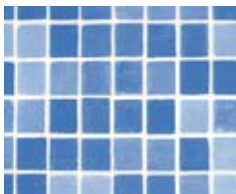
Grey



Dark Grey



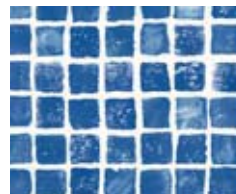
Black



Blue Bizance



Grey Bizance



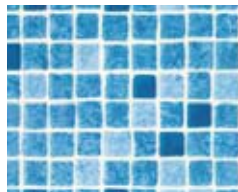
Dark Mosaic



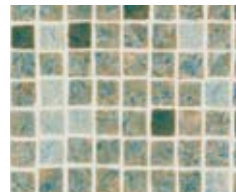
Carrara



Marbre



Blue Persia



Sand Persia



Platinum

LINER INSTALLATION AND FIXING

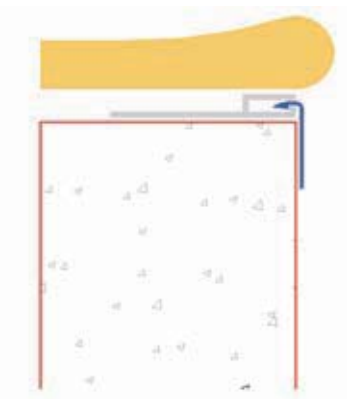
Liner installation

Before laying the liner in the pool, we must bear in mind certain basic factors to ensure good and long lasting life. The floor or surface where the liner is to be laid:

- Must be permeable to ensure removal of condensed water.
- Must be completely smooth to prevent deterioration.
- Must also be free from any material that is incompatible with the membrane: for flexible PVC, avoid using rubber, paint, inks, tar or adhesive materials.
- Must be clean and dry.
- If a separating layer has been used, it must be rot-proof (protection filter).
- Only use bonding products recommended by AstralPool.
- PVC liners have an expansion coefficient of around 0.2% per 10°C. You are recommended to lay the liner at temperatures between 10°C and 25°C.

Fastening system

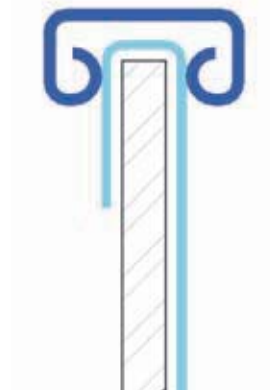
HUNG TYPE FASTENING



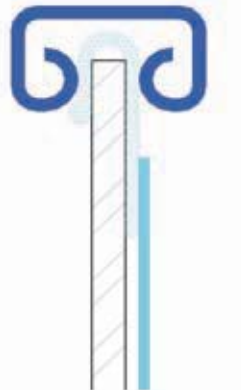
The fastening system varies depending on whether the liner is to be laid in a pool already built or one yet to be built.

In both cases the fastening is compatible for liners of **75/100** and **150/100**.

OVERLAP TYPE FASTENING



V TYPE FASTENING



These are the simplest fastening systems and they have basically been designed for above ground pools steel sheet for home use, requiring a **75/100 liner**. Quick and easy to install, these systems are ideal for liner installation in pools.

LINER FIXING MODIFICATION

If the standard Hung system is substituted by the Overlap or "V" type, neither the calculations nor the price of the liner m² will vary with respect to the standard calculations.

LINER ACCESSORIES

Fastening accessories for liners 75/100° for pools under construction



Horizontal Hung PVC 1.5 m x 50 mm (free form)
 Horizontal hung PVC 2 m x 50 mm
 Horizontal hung PVC 2 m x 38 mm
 Angle PVC radius of 15 cm x 50 mm
 Angle PVC radius of 15 cm x 38 mm

In Aluminium

Horizontal hung ALU 2 m x 50 mm
 ALU angle 50 mm (radius of 15 cm)

Fastening rivets (Box of 250 units)
 Flexible fastening strip. Lineal metre

Code	Standard Packing	Standard Weight kg.	Standard Volume m ³
40844	-	-	-
05815	-	-	-
09492	-	-	-
05819	-	-	-
09493	-	-	-
05816	-	-	-
05818	-	-	-
05820	-	-	-
05825	-	-	-

Fastening accessories for liners 75/100° for pool renovation



Vertical hung PVC 2 m
 Angle for vertical fastening (radius 15 cm)

In Aluminium

Vertical hung ALU 2 m

Fastening rivets (Box of 250 units)
 Flexible fastening strip. Lineal metre

Code	Standard Packing	Standard Weight kg.	Standard Volume m ³
05817	-	-	-
16194	-	-	-
16175	-	-	-
05820	-	-	-
05825	-	-	-

Accessories for liners 150/100°



Galvanized plate band (2 x 0.05 m)
 Applicator bottle (unit)
 Band (8 mm)
 Solvent THF (1 litre)
 Solvent THF (5 litres)
 Neoprene glue for PVC (5 Kg)

Code	Standard Packing	Standard Weight kg.	Standard Volume m ³
32324	-	-	-
05780	-	-	-
05781	-	-	-
05778	-	-	-
05779	-	-	-
05784	-	-	-

Note: In the event of assembling a liner 150/100° by hung type fastening with an 8 mm strip, the accessories are the same as for liners 75/100° (see next page).

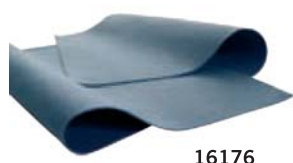
LINER ACCESSORIES

Adhesives for all types of liners



Adhesive for antibacterial protection (Tin 5 Kg)
 Komerling adhesive 1220 (Tube 125 ml)
 Komerling adhesive 1220 (Tin 750 ml)

Code	Standard Packing	Standard Weight kg.	Standard Volume m ³
05822	-	-	-
06655	-	-	-
06656	-	-	-



Liner protection for 75/100° and 150/100°

Protection 300 gr/m² AB blue
 (roll 100 m²)

Code	Standard Packing	Standard Weight kg.	Standard Volume m ³
16176	-	-	-

Rivets

Aluminum rivets.



Short 15.5 - 4.5 mm
 Long 25.5 - 4.5 mm

Code	Standard Packing	Standard Weight kg.	Standard Volume m ³
12264	4	8.85	0.01
12265	3	8.0	0.01

Double PVC hem



Welded to the edge of the liner, allows the liner to attach to the pool shell, by using the corresponding profile.

Code	Standard Packing	Standard Weight kg.	Standard Volume m ³
12184	250 m	9.0	0.036

Dissolvent



Dissolvent for welding the lining in cold.

Code	Standard Packing	Standard Weight kg.	Standard Volume m ³
12249	1	1.0	0.01

STEPS UNITS

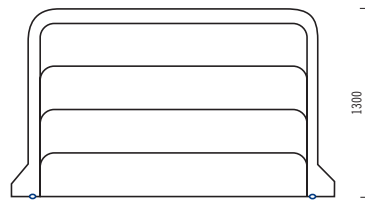
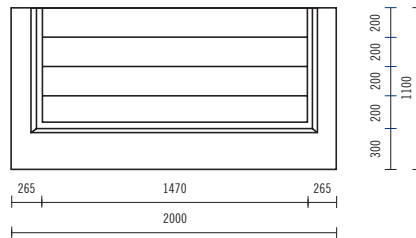
Straight 2 m model



Standard light blue, in material that resists ageing, UV rays and Chlorine agressions.

Code	Standard Packing	Standard Weight kg.	Standard Volume m ³
25866	1	-	-

Code 25866



Roman end 2.00 m

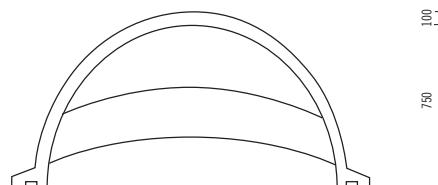
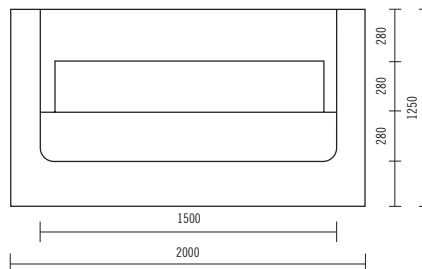


Standard light blue, in Polymer.

2.00 x 0.85 x 1.25 m

Code	Standard Packing	Standard Weight kg.	Standard Volume m ³
28327	1	-	-

Code 28327



STEPS UNITS

Roman end 2.44 m

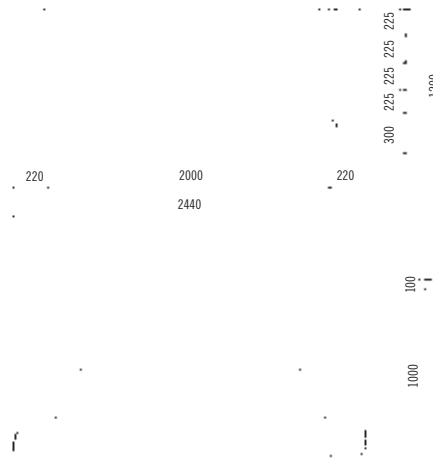


Standard light blue, in Polymer.

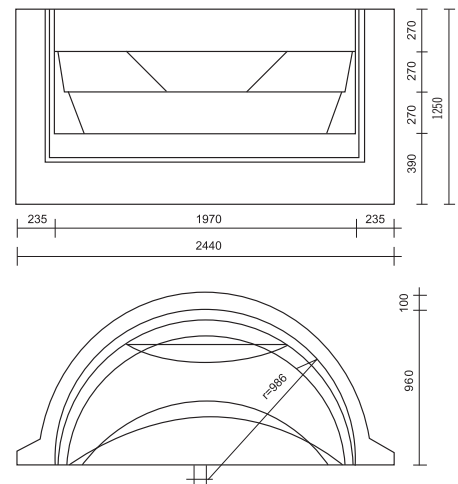
2.44 x 1.25 x 1.20 m
2.44 x 0.96 x 1.20 m

Code	Standard Packing	Standard Weight kg.	Standard Volume m ³
05700	1	-	-
27126	1	-	-

Code 05700



Code 27126



Roman end 3.00 m

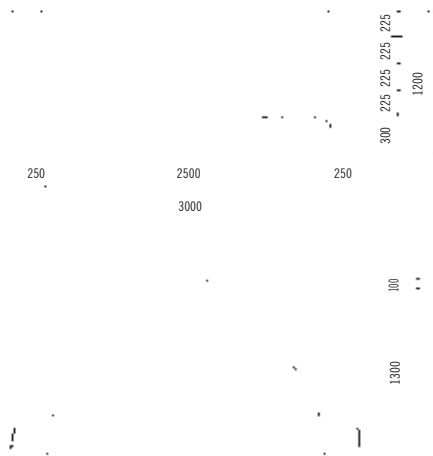
Standard light blue, in Polymer.

3.00 x 1.50 x 1.20 m
3.00 x 1.32 x 1.35 m

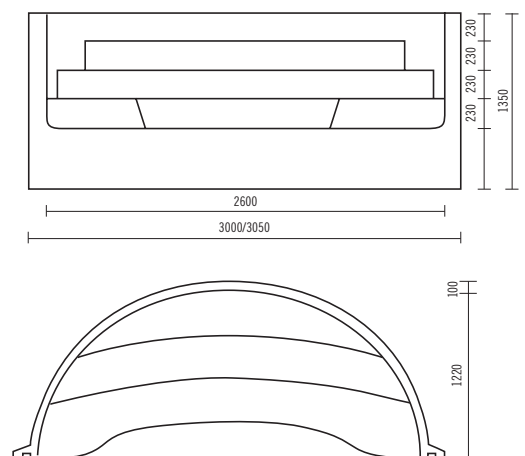
Code	Standard Packing	Standard Weight kg.	Standard Volume m ³
05799	1	-	-
27127	1	-	-

Other models and colours, on request

Code 05799



Code 27127



CONDITIONS FOR ACCEPTING AND ORDER

Order:

All orders or enquiries for modifying orders must be made in writing. For avoiding any delay, the client, at his own risk, must forward the supplier all the necessary liner measurements for executing the work. In case the information supplied by the client is insufficient, he will have to supply the missing information ahead of the manufacturing time.

Implicit data:

In cases certain information is not supplied in time, we shall consider the below mentioned data for the liner manufacture:

- * Vertical radii: 15 cm
- * Horizontal radii: max. 5 cm (only in pool basin). Holdingsystem, Hung system.
- * Horizontal measurements taken on the basin floor.
- * The depth measurement taken from under the coping stone till the wall touching the floor.
- * The diagonals will be measured from the corner angles and not along the curves.

To avoid certain misunderstandings, we suggest you taking the following precautions:

- | | |
|------------------------|---|
| For holding the liner: | <ul style="list-style-type: none"> * Specify the type (Hung, Overlap or in V); We leave 15 cm of extra liner length in height for the Overlap holding system. |
| For steps: | <ul style="list-style-type: none"> * Check whether the angles between the step tread and rise (flat and vertical step surfaces) are really found in a straight line. * Installation of a discharge nozzle in the middle of the first step is highly recommended for holding the liner in place. * At least 30 cm of water should be left in the pool for maintaining the first step. * Avoid designing staircases having more than 5 steps. * For confirming dimensions, give the lengths of each step. * Check the verticality of pool walls. In case of deficient plumbness, enquire about the order viability. * Compound inclination safety ledges should be avoided on the liner. |

Taking measurements:

- * Give the total length and width.
- * Pool depths.
- * Safety ledge width on each side.
- * Specify the peripheral size on each side.
- * Measurements of each corner, edge and inclination.
- * All dimensions should be indicated with horizontal and/or vertical measurements.

If angles are not straight:

- * Measure all the diagonals from one point.
- * Diagonals (hypotenuse) of right angles are not necessary, only the irregular angles other than the 90°.

Definition of arcs of circles:

- * Arcs of circles are defined by their radii.
- * If a radius cannot be defined, a radius gauge should be supplied or a triangulation to define it.
- * Ellipses are defined by gauges (or grid drawing with approximate 1 meter intervals)

Sectional views:

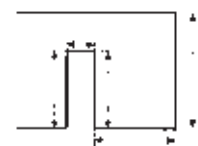
- * Three view plans should be submitted: top view, front view and lateral view.

Full size pattern:

- * Define the pattern, one side sky and the other side water (or a plan).
- * The patterns are for the pool basin dimensions or for the covers.

Shuttering:

- * Specify shuttering dimensions according to the drawings.
- * Check that inside shuttering angles are in a straight line.
- * Check that vertical pool basin angles shuttering are in a straight line.
- * Check that the horizontal angle of the wall and shuttering are in a straight line.





POOL COVERS AND ROLLERS



- 382 • Thermal covers for summer
- 383 • Premium thermal covers
- 384 • Thermal covers - foam
- 385 • Protection covers for winter
- 388 • Accessories for covers
- 391 • Storage rollers for covers
- 394 • Automatic covers
- 414 • Automatic covers: Accessories
- 418 • Telescopic covers

THERMAL COVERS FOR SUMMER



BUBBLE

Bubble model 400 µm - blue

		Code	Standard Packaging	Standard Weight kg.	Standard Volume m ³
Without eyelets	Pool Type				
	Standard	09296	-	-	-
DeLuxe Model	Freeform	06214	-	-	-
	Standard	09295	-	-	-
	Freeform	03975	-	-	-

Bubble model 400 µm - blue/black

		Code	Standard Packaging	Standard Weight kg.	Standard ^d Volume m ³
DeLuxe Model	Pool Type				
	Standard	16185	-	-	-
	Freeform	11483	-	-	-



BLUE/BLACK BUBBLE

Steps and accessories bubble models

	Code	Standard Packaging	Standard Weight kg.	Standard Volume m ³
Straight stairs fixed price	06215	-	-	-
Roman stairs fixed price	06217	-	-	-
Other stairs fixed price	06218	-	-	-
Special cut pieces for stairs	03976	-	-	-
Additional nickel-plated brass eyelet	04001	-	-	-

The accessories list is found in page 388.

TECHNICAL FEATURES Floating Isothermal "Bubble" Covers

Composition	Polyethylene based
Joints	Ultrasonic welding
Borders	Stitched Polyethylene strips
NB Model	Only cut, without eyelets
Eco Model	Eyelets, lengthwise on both the sides
DeLuxe Model	Perimetral eyelets
Fixing	Eyelets on both ends of one long side.
	Eyelets at approx. every 65 cm on the opposite side
Composition	Nickel plated brass eyelets
Standard Packaging	Supplied in cardboard box in a protection bag and with instructions leaflet

PREMIUM THERMAL COVERS

Ultra-Thermal model 500 µm - Blue/Gold

		Code	Standard Packaging	Standard Weight kg.	Standard Volume m ³
DeLuxe model	Pool type				
	Standard	40837	-	-	-
	Free form	40839	-	-	-


High resistance model 500 µm – Reinforced Blue

		Code	Standard Packaging	Standard Weight kg.	Standard Volume m ³
Without eyelets	Pool type				
	Standard	40840	-	-	-
	Free form	40842	-	-	-
DeLuxe model	Standard	40841	-	-	-
	Free form	40843	-	-	-

Steps and accessories for premium models

	Code	Standard Packaging	Standard Weight kg.	Standard Volume m ³
Straight stairs fixed price	41149	-	-	-
Roman stairs fixed price	41150	-	-	-
Other stairs fixed price	41151	-	-	-
Special cut pieces for stairs	41152	-	-	-

THERMAL COVERS - FOAM



FOAM

5 mm Foam cover

		Code	Standard Packaging	Standard Weight kg.	Standard ^d Volume m ³
Eco Model	Pool Type				
	Standard	09297	-	-	-
	Non-Standard	03983	-	-	-
DeLuxe Model	Freeform	03992	-	-	-
	Standard	09298	-	-	-
	Non-Standard	03991	-	-	-
	Freeform	03984	-	-	-

Steps and foam models

	Code	Standard Packaging	Standard Weight kg.	Standard Volume m ³
Straight stairs fixed price	06215M	-	-	-
Roman stairs fixed price	06217M	-	-	-
Other stairs fixed price	06218M	-	-	-
Special cut pieces for stairs	03993	-	-	-
Additional nickel-plated brass eyelet	04001	-	-	-

Attention: Unless specified in the order, the stair cover is supplied welded to the pool cover, applying the corresponding surcharge.

The cover classification into Standard, non-standard and freeform covers are based on the different shapes indicated in the catalogue.

The accessories list is found in page 388.

- The "eco" models are provided with eyelets along side both short sides.
- The "Deluxe" models are provided with perimetral eyelets.

TECHNICAL FEATURES Foam Covers	
Composition	Reticulate type Polyethylene based foam
Joints	Thermal welding using double sided Polyethylene ribbons
Borders	Stitched PVC strips
Eco Model	Eyelets, lengthwise on short the sides
DeLuxe Model	Perimetral eyelets
Fixing	Eyelets on both ends of one short side. Eyelets at approx. every 65 cm on the opposite side
Composition	Nickel plated brass eyelets
Option	Lengthwise floating Polyethylene foam reinforcement
Standard Packaging	Supplied rolled duly protected with a cover SLEEVE.

PROTECTION COVERS FOR WINTER

Gauze type - Blue model



BLUE

		Code	Standard Packaging	Standard Weight kg.	Standard Volume m ³
Eco Model	Pool Type				
	Standard	09285	-	-	-
DeLuxe Model	Free form	03868	-	-	-
	Standard	09286	-	-	-
	Free form	03877	-	-	-

Gauze type - Green model



GREEN

		Code	Standard Packaging	Standard Weight kg.	Standard Volume m ³
Eco Model	Pool Type	09283	-	-	-
DeLuxe Model	Standard	09284	-	-	-

Steps and accessories gauze models

	Code	Standard Packaging	Standard Weight kg.	Standard Volume m ³
Straight stairs-fixed price	05755	-	-	-
Roman stairs-fixed price	05756	-	-	-
Other stairs-fixed price	06219	-	-	-
Special cut pieces for stairs	03869	-	-	-

Classification: The cover classification into Standard, non-standard and freeform shaped covers are based on the different shapes indicated in the catalogue.

The accessories list is found in page 388.



BLUE DELUXE MODEL



GREEN DELUXE MODEL

TECHNICAL FEATURES Gauze Models	
Composition	Wetted Poliethilene fabric 230 g/m ²
Joints	English seam
Borders	Stitched PVC strips (Eco Model) Perimetral eyelets and triangular reinforcement on the corners (for Deluxe Model)
Eco fixing	With eyelets + Double pressed rubber tensor + S.S. anchoring fixture Distance between rubber tensors = 70 cm
DeLuxe fixing	Distance between eyelets = approx. 20 cm With straps + dynamometric spring + S.S. anchoring fixture Distance between straps = approx.1 m. Overlapping = 50 cm
Standard Packaging	Supplied in cardboard box in a protected bag and with instructions leaflet

PROTECTION COVERS FOR WINTER

PVC Intersup opaque model - blue/ivory



		Code	Standard Packaging	Standard Weight kg.	Standard ^d Volume m ³
Eco Model	Pool Type				
	Standard	09338	-	-	-
DeLuxe Model	Free form	06198	-	-	-
	Standard	09339	-	-	-
	Free form	06208	-	-	-

PVC Intersup opaque model - green/ivory

BLUE ECO INTERSUP



		Code	Standard Packaging	Standard Weight kg.	Standard ^d Volume m ³
Eco Model	Pool Type				
	Standard	09526	-	-	-
DeLuxe Model	Free form	09528	-	-	-
	Standard	09529	-	-	-
	Free form	09531	-	-	-

Steps and others for Intersup models

BLUE LUXE INTERSUP

	Code	Standard Packaging	Standard Weight kg.	Standard Volume m ³
Straight stairs-fixed price	05755	-	-	-
Roman stairs-fixed price	05756	-	-	-
Other stairs-fixed price	06219	-	-	-
Special cut pieces for stairs	03869	-	-	-
Additional nickel-plated brass eyelet	04001	-	-	-

Fixpool opaque model blue/beige



BLUE FIXPOOL INTERSUP

		Code	Standard Packaging	Standard Weight kg.	Standard Volume m ³
Blue/beige	Standard	09291	-	-	-
	Non-Standard	09292	-	-	-
	Freeform	09293	-	-	-

Classification: The cover classification into Standard, non-standard and freeform covers is based on the different shapes indicated in the catalogue.

The accessories list is found in page 388.

PROTECTION COVERS FOR WINTER

Technical Features

TECHNICAL FEATURES Intersup Eco Covers	
Composition	PVC fabric, reinforced double side 550 g/m ²
Joints	High frequency welding
Borders	Perimetral hem, joined by high Frequency welding
Fixing	nickel plated brass eyelets + Double pressed tensor rubber + S.S. anchoring fixture Distance between rubber tensors = 70 cm Distance between eyelets = approx. 20 cm.
Grid screen	Centrally located drainage grid screen in pre-shrunk PVC fabric joined by high frequency welding
Standard Packaging	Supplied in cardboard box with instructions leaflet

TECHNICAL FEATURES DeLuxe Intersup Covers	
Composition	PVC fabric, reinforced double side 550 g/m ²
Joints	High frequency welding
Borders	Perimetral hem, bound together by high frequency welding
Fixing	With straps + Dynamometric tensor + S.S. anchoring fixture Distance between straps = approx. 1m Overlapping = 50 cm.
Grid screen	Centrally located grid screen in preshrunk PVC fabric bound together by high fre- quency welding.
Standard Packaging	Supplied in cardboard box in a protec- ted bag and with instructions leaflet

TECHNICAL FEATURES Fixpool Covers	
Composition	PVC fabric, reinforced double side 550 g/m ²
Joints	High frequency welding
Borders	Perimetral hem, joined by high frequency welding. Rigid PE cable inside the hem
Fixing	By way of Fixkit + S.S. anchoring fixture Distance between them = approx. 80 cm
Grid screen	Centrally located drainage grid screen in pre-shrunk PVC fabric stitched to the cover.
Standard Packaging	Supplied in cardboard box in a protected fbag and with instructions leaflet

ACCESSORIES FOR COVERS

Accessories

8 mm rubber tensor - 03998



S.S. Spike - 03994



Retractable spike - 40950



S.S. Spike for lawn - 05732



Roller 1.50 m black strap - 25980



Fixkit clip with rubber tensor - 09439



S.S. Spike Per unit **03994**
 S.S. Spike for lawn Per unit **05732**
 Retractable cylindrical spike Per unit **40950**
 Retractable anchoring, with spring Per unit **03995**

Dynamometric spring Per unit **03996**
 1.50 m black strap for roller Per unit **25980**

8 mm rubber tensor m² **03998**
 8 mm x 60 cm Cabiclic rubber tensor Per unit **03999**
 8 mm x 25 cm Cabiclic rubber tensor Per unit **05736**
 1.20 m rubber tensor with hooks Per unit **05734**

Fixkit clip with rubber tensor Per unit **09439**

	Code	Standard Packaging	Standard Weight kg.	Standard Volume m ³
S.S. Spike	03994	-	-	-
S.S. Spike for lawn	05732	-	-	-
Retractable cylindrical spike	40950	-	-	-
Retractable anchoring, with spring	03995	-	-	-
Dynamometric spring	03996	-	-	-
1.50 m black strap for roller	25980	-	-	-
8 mm rubber tensor	m ² 03998	-	-	-
8 mm x 60 cm Cabiclic rubber tensor	Per unit 03999	-	-	-
8 mm x 25 cm Cabiclic rubber tensor	Per unit 05736	-	-	-
1.20 m rubber tensor with hooks	Per unit 05734	-	-	-
Fixkit clip with rubber tensor	Per unit 09439	-	-	-

Concealable anchoring, with spring - 03995



Dynamometric spring- 03996



60 cm Cabiclic rubber tensor - 03999



25 cm Cabiclic rubber tensor - 05736



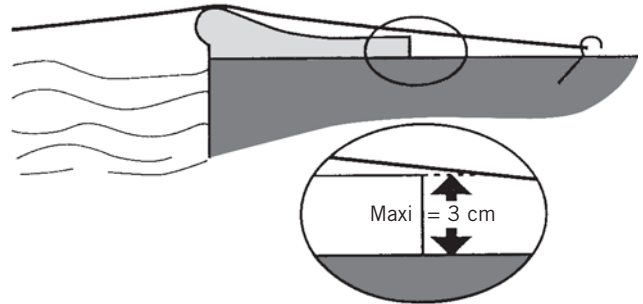
Rubber tensor with hooks - 05734



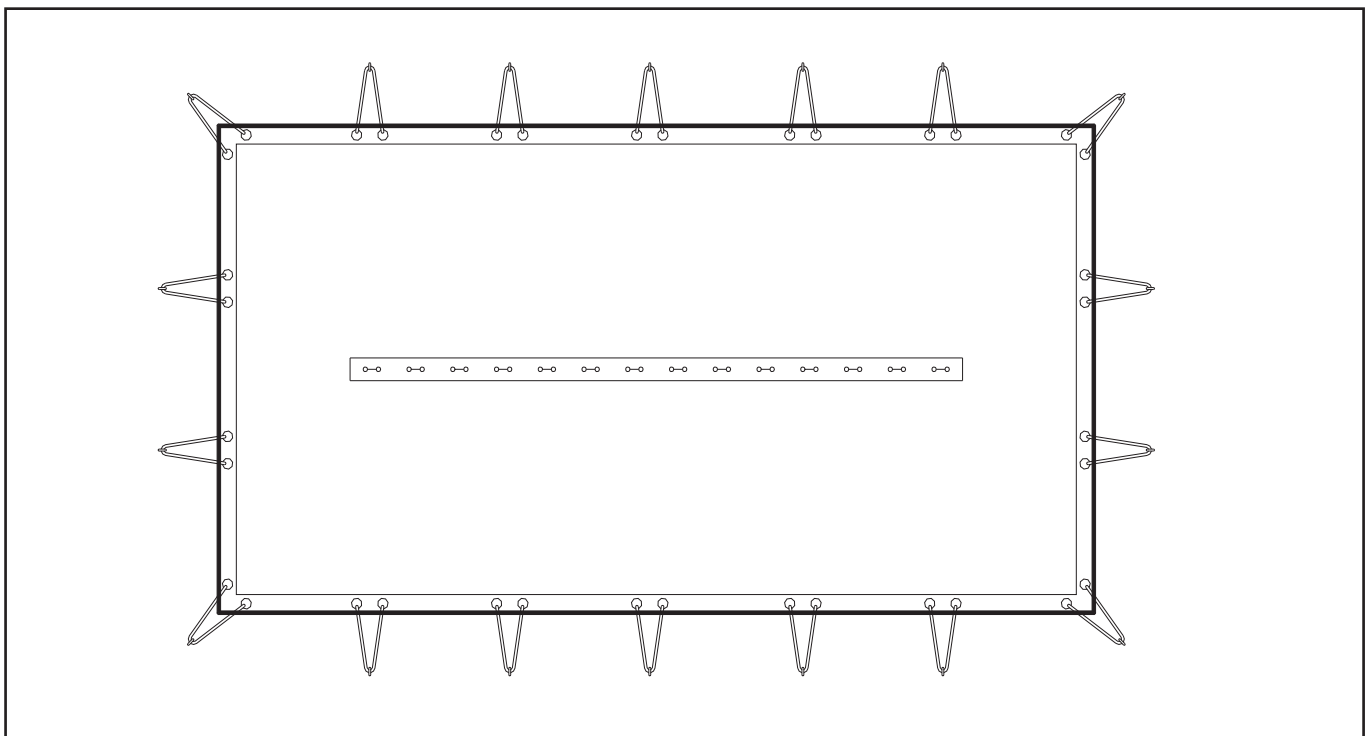
WINTER COVER INSTALLATION

IMPORTANT

- Each cover is individually designed according to its shape, material and fastening.
- To avoid a premature cover wear and tear rubbing
- Against coping material, the following precautions should be observed when installing it:
- The coping material should not be more than 3 cm thick.
- The cover warranty will not be applicable in case of faulty installation, deficient maintenance or wearing
- Caused by coping elements.



USING CLIPS OR RUBBER TENSORS



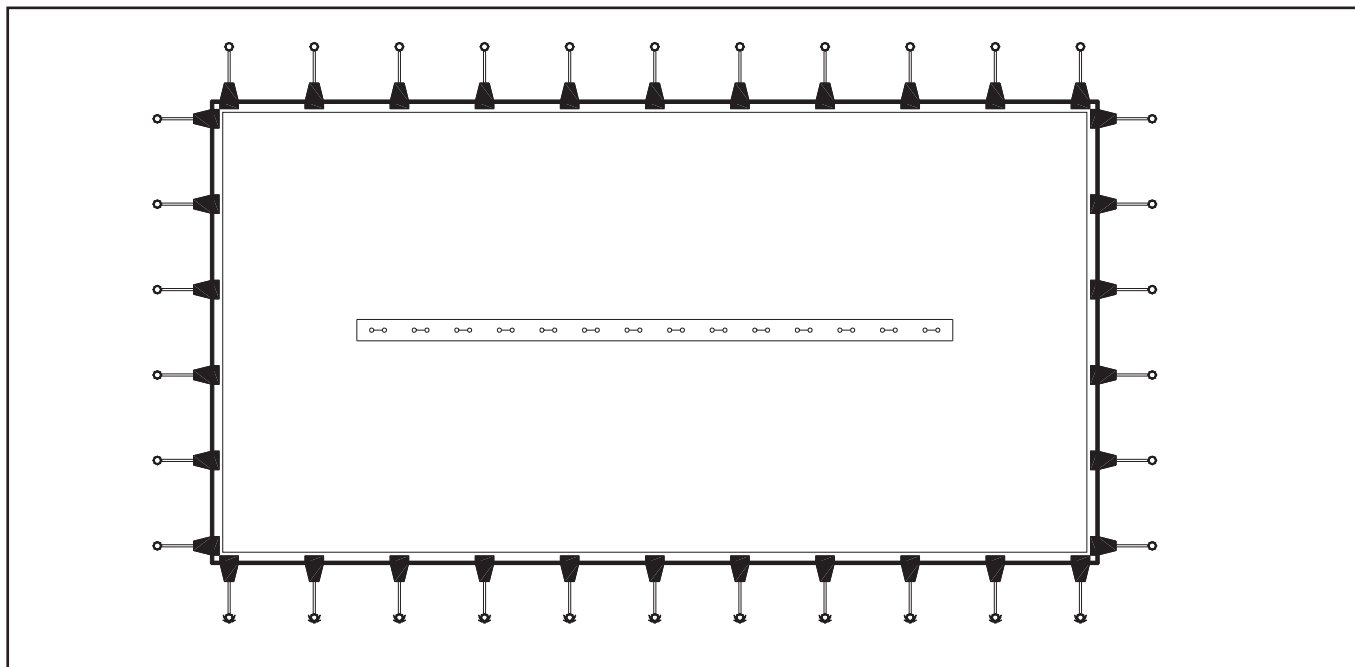
POOL COVERS AND ROLLERS

- 1) Make holes in the corners at 40 cm from the coping stone edge.
- 2) Fix the cover at the 4 corners.
- 3) Parallel to each eyelet, drill the other holes at 40 cm from the coping stone edge.
- 4) Tension the cover, leaving a certain allowance to the rubber tensors.

N.B.: In very windy regions, we suggest installing double water drains on the side which is most exposed to the wind.

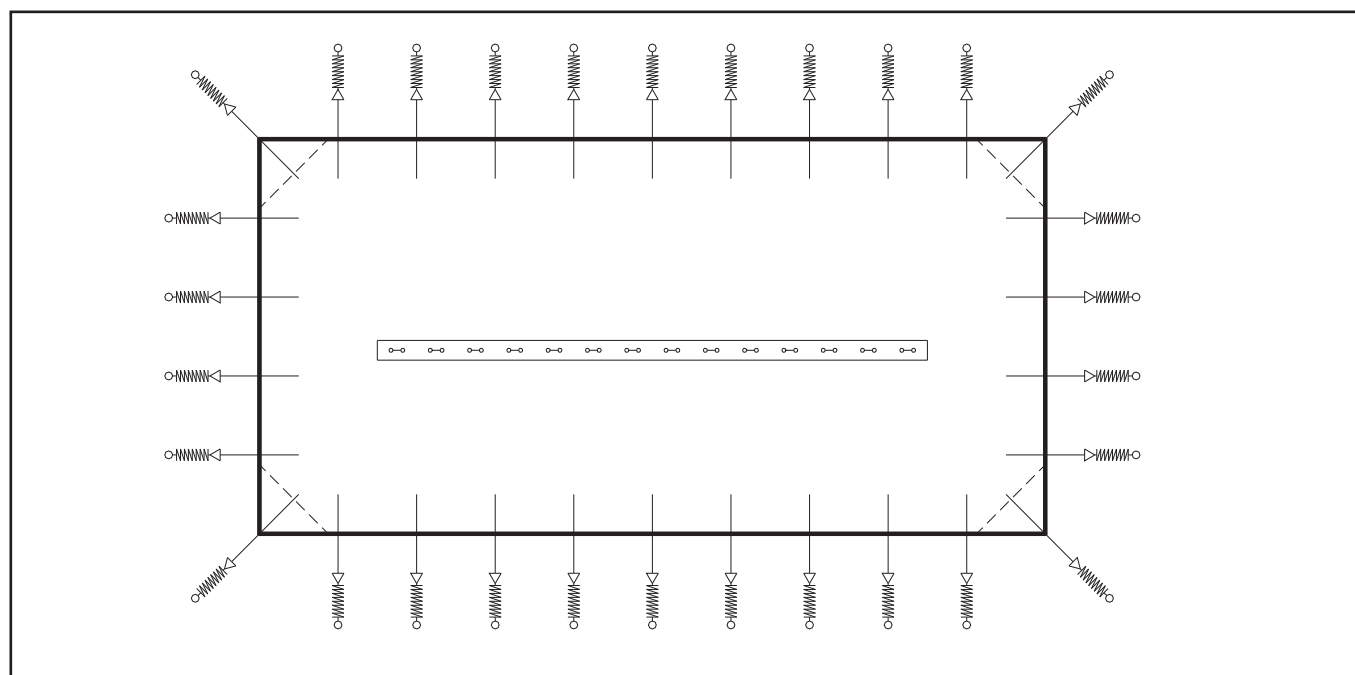
WINTER COVER INSTALLATION

WITH FIX KIT



- 1) Drill at the 4 corners at 40 cm from the coping stone edge.
- 2) Fix the cover at the 4 corners.
- 3) Parallel to each eyelet, drill the other holes at 40 cm from the coping stone edge.
- 4) Tense the cover, leaving a certain allowance in the elastic belt tension.

WITH STRAPS



- 1) Drill at the 4 corners at 40 cm from the coping stone edge.
- 2) Fix the cover at the 4 corners.
- 3) Parallel to each eyelet, drill the other holes at 40 cm from the coping stone edge.
- 4) Tense the cover, leaving a certain allowance in the rubber bands.

N.B.: In very windy regions, we suggest installing double water drains on the side which is most exposed to the wind.

STORAGE ROLLERS FOR COVERS

Central pipe in anodised aluminium



Ø 100 mm

- Fixed pipe, length 4.5 m
- Fixed pipe, length 5.5 m
- Fixed pipe, length 6.6 m
- Telescopic pipe, length 4 - 5.5 m
- Telescopic pipe, length 4 - 6.6 m

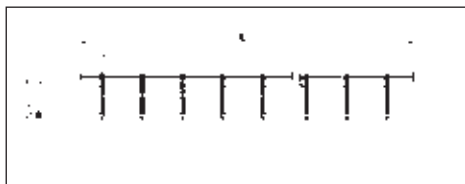
Ø 80 mm

- Telescopic pipe, length 4 - 5.5 m
- Telescopic pipe, length 5 - 6.6 m

Code	Standard Packaging	Standard Weight kg.	Standard Volume m ³
07622	1	12.0	0.059
07623	1	14.3	0.071
07624	1	17.4	0.084
07625	1	12.8	0.054
07626	1	15.5	0.067
24762	1	12.8	0.035
30806	1	15.5	0.043

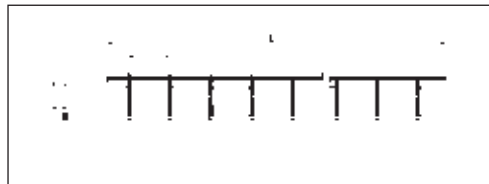
Other lengths, available on request

Fixed pipe



Pipe code	L (m)	Ø B (mm)	N° straps
07622	4.5	100	8
07623	5.5	100	8
07624	6.6	100	10

Telescopic pipe



Pipe code	L (m)	Ø B (mm)	N° straps
07625	4.0 - 5.5	95/100	8
07626	5.0 - 6.6	95/100	8



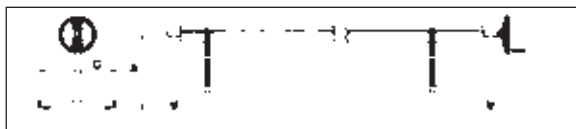
Stainless Steel fixed end supports

Set of 2 brackets in "T" shape. Includes steering wheel operation with 8 straps for fixing the cover.

A set of 2 "T" supports in AISI-304

The pipe is not included in the price

Code	Standard Packaging	Standard Weight kg.	Standard Volume m ³
07631	1	4.8	0.035



Pipe code	A (mm)	C (mm)
07631	500	514

POOL COVERS AND ROLLERS

STORAGE ROLLERS FOR COVERS

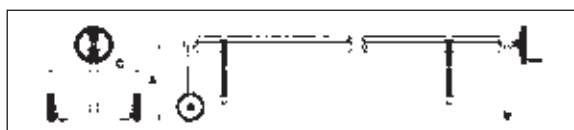
Stainless Steel mobile support



A set of 2 supports, one "T" end fixed support and the other end support with wheels. Includes 8 straps to tie the cover.

Supports in AISI-304

The pipe is not included in the price.



Code	Standard Packaging	Standard Weight kg.	Standard Volume m ³
07628	1	7.2	0.035

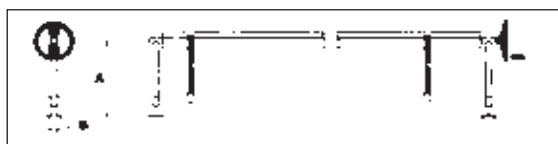
Code	A (mm)	C (mm)
07628	500	650

Fixed support for roller



Two flange fixing supports with adjustable height from 500-800 mm in AISI-304. Fixed to the floor with flanges. Includes 8 straps for fixing the cover.

The pipe is not included in the price.



Code	Standard Packaging	Standard Weight kg.	Standard Volume m ³
07629	1	7.2	0.029

Code	A (mm)	B (mm)
07629	500 to 800	100

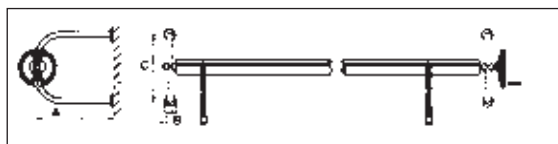
Wall support for roller



Pair of wall fixing supports. In S.S. AISI-304. Includes 8 straps for fixing the cover.

Set of 2 supports

The pipe is not included in the price.



Code	Standard Packaging	Standard Weight kg.	Standard Volume m ³
07630	1	6.6	0.087

Code	A (mm)	B (mm)	C (mm)
07630	500	100	500

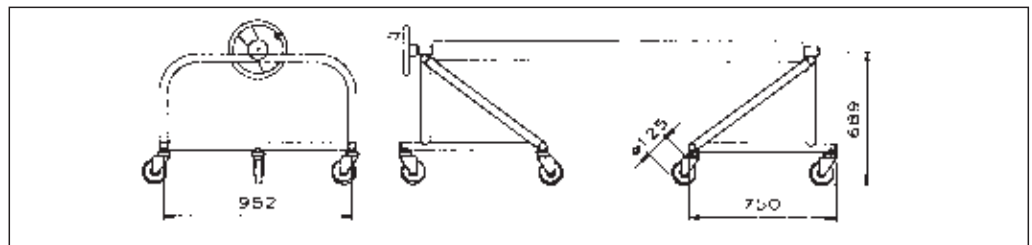
STORAGE ROLLERS FOR COVERS

Roller supports (for larger pools)



Suitable for fixed roller pipes 07622, 07623 and 07624 or telescopic pipes 07625 and 07626, with 1, 2 or 3 rollers and steering wheels and rotating bar wheel for handling covers. Contains of 2 Stainless Steel AISI-304 structures with wheels (1 set with brakes) to move the roller . Includes 8 straps per roller.

	Code	Standard Packaging	Standard Weight kg.	Standard Volume m ³
2 mobile supports with 1 roller pipe	15836	1	36.4	0.937
2 mobile supports with 2 roller pipes	15835	1	27.4	1.46
2 mobile supports with 3 roller pipes	15834	1	28.4	1.46



Mobile supports with 1 pipe.



Mobile supports with 2 and 3 roller pipes.

AUTOMATIC COVERS

The AstralPool automatic cover

AstralPool is continually incorporating the latest innovations to its products in matters of safety. As such the automatic pool covers have been developed to meet the demands of the French standard NF P90 308, which guarantees maximum user safety.

The AstralPool automatic covers cover the whole pool and are easily rolled up or spread thanks to their in built motorized roller. The turning of a key is all that is needed to get it working.

Manufactured with rigid slats available in various colours, their design and composition provide a floating cover which covers the whole of the water surface and which is very effective as a thermal insulator. To meet the requirements of both existing and new-built swimming pools there are seven models available, the submerged models Roussillon, Conflent and Ceret, the above-ground models Carlit and Vallespir, and the above-ground models with protective casing Capcir and Narbonne.

The submerged automatic cover models Roussillon, Conflent and Ceret allow the cover to be completely integrated into the swimming pool. The mechanical installation is located in a pit annexed to the pool, which is separated by a small concrete or PVC partition.

The above-ground models (Carlit and Vallespir) are the most suitable models for installing in existing pools as the roller is located on the outside of the pool, anchored to the pool surround.

The above-ground models with protective casing (Capcir and Narbonne) are the basic above-ground models which can be complemented with a bench that covers the mechanical installation, giving it a high-quality finish. For installation in existing swimming pools.

Main advantages

- Increased safety in the swimming pool to protect people and pets from falling accidentally into it. The floating slats cover the entire water surface.*
- Very convenient to use, the swimming pool is covered and uncovered in silence by simply turning a key.
- Represents a considerable saving:
 - It acts as a thermal barrier preventing heat losses and extending the pool use season.
 - It is a basic complement for pool heating conditioning.
 - It prevents evaporation, therefore it saves water.
 - It reduces algae formation, which results in an important saving in chemical products.
- In indoor pools no condensation is produced in the enclosed hall, thus avoiding deterioration of building materials.
- Lower maintenance costs: reduction of suspended particles.
- The automatic cover enables greater customisation of the swimming pool, increasing its value.

AstralPool service

- The wide AstralPool commercial network offers immediate service.
- We offer our clients pre- and post-sales technical assessment.
- The manufacturing technical sheet will be used to make a cover which is perfectly adapted to your needs.
- All AstralPool covers undergo strict quality control based on the most demanding regulations.
- Assembly and Civil Engineering Manuals are available to allow building the swimming pool with the ideal requirements for subsequent installation of the submerged cover.

(*) Our automatic covers comply with the requirements of the French standard NF P90-308 which demands the use of standardized safety mechanisms to prevent the risk of drowning by accidental falls into the pool.

AUTOMATIC COVERS

Advice for use and winterizing

We recommend to follow these basic indications to obtain the optimum performance from the automatic cover:

- Before operating the cover you must ensure that nobody is in the swimming pool and that there are no objects that could become obstacles to its normal operation.
- Maintaining the correct water level is also important, as a level which is too high or too low can cause blockages at the tie beam, partition or the steps.
- During the retrieving and expanding operations the cover should not be blocked, as this action could be dangerous as well as harmful to the operating mechanism.
- If an automatic pool floor cleaner is used make sure that when the cover is extended neither the hose nor the power supply cable is caught up.
- Regular cleaning of the cover with a pressure cleaning device or with a PVC descaling liquid is recommended. This will also prevent leaves from settling on the cover which could otherwise stain the slats..
- In the case of a hail storm we recommend that you retrieve the cover.
- In the Roussillon submerged model we recommend that you always keep the motor housing dry to prevent the geared motor from getting wet.

For good winterization, and in order to find the pool in the best conditions in the spring, we recommend to take the following indications:

- Leave the cover extended over the water surface.
- Keep the water level constant. An excess should be drained through the main drain or the skimmer box.
- It is advisable to clean the trapdoor and the motor housing with a high pressure cleaner before the pool is winterized.
- Place a number of anti-freeze floats in the trapdoor casing, behind the cover. The skimmers should also be protected in the same way.
- We recommend the installation of a plastic type cover to prevent leaves and other substances from obstructing the trapdoor, which should be cleaned regularly.
- In the case of freezing, avoid forcing or pressing down hard on the slats as they could be damaged.
- If the motor is in risk of flooding it is advisable to cut off the power supply and remove the motor.

PLEASE FILL IN THE FORM PAGES FOR ENQUIRES...

AUTOMATIC COVERS: THE SLATS

The slats

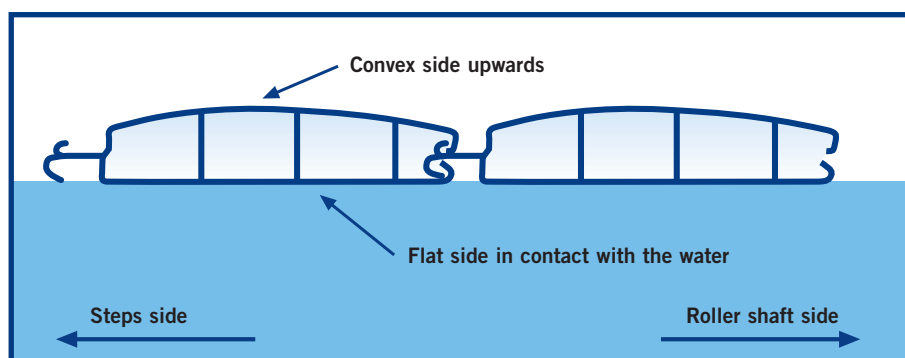
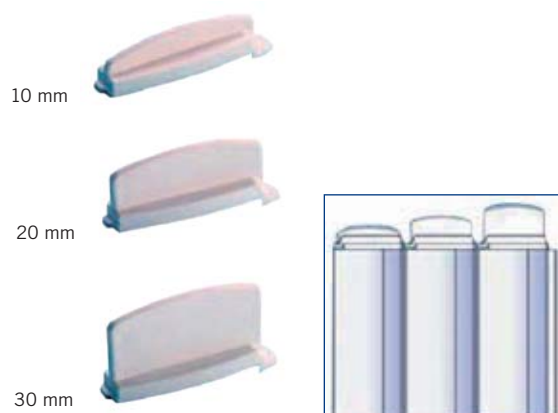
The AstralPool automatic cover uses hollow extrusion PVC watertight slats. The end-caps welded at both ends ensure their floatability. The 20 mm wide cap flaps can assure the total length of the slats. These flaps can also be of 10 or 30 mm, thus altering the total width of the pool cover.

The slats are 71.4 mm wide and 17 mm thick, guaranteeing their floatability. In order to avoid stains, specially organic ones, the slats are coated with calcium-zinc.

In order to best integrate the cover into the environment, you can choose from the different slat models: White, Sand, Opaque Blue, Grey, Translucent Blue* and solar captor*. The slats in translucent blue and solar captor can only be used in Northern Europe or in areas where there is less solar radiation.



Pool length	Spool for an aluminium Ø 146 mm shaft (shaft used for pools up to 6 m wide)
1 m	220 mm
2 m	290 mm
3 m	320 mm
4 m	360 mm
5 m	390 mm
6 m	430 mm
7 m	460 mm
8 m	470 mm
9 m	490 mm
10 m	530 mm
11 m	540 mm
12 m	560 mm



WHITE		SAND		BLUE		GREY	
Maximum width.	Code	Maximum width.	Code	Maximum width.	Code	Maximum width.	Code
3.5 ml	34755	3.5 ml	34761	3.5 ml	34758	3.5 ml	40998
4 ml	31168	4 ml	31169	4 ml	31170	4 ml	41000
4.5 ml	34756	4.5 ml	34762	4.5 ml	34759	4.5 ml	41001
5 ml	31172	5 ml	31173	5 ml	31174	5 ml	40761
5.5 ml	34757	5.5 ml	34763	5.5 ml	34760	5.5 ml	41002
6 ml	31176	6 ml	31177	6 ml	31178	6 ml	41003
7 ml	31900	7 ml	31901	7 ml	31902	7 ml	40762
8 ml	31905	8 ml	31906	8 ml	31907	8 ml	41004
9 ml	35132	9 ml	35134	9 ml	35137	-	-
10 ml	35133	10 ml	35135	10 ml	35138	-	-
11 ml	33112	11 ml	35136	11 ml	33343	-	-

* For use only in Northern Europe. Not recommended for use below 45° latitude. For bigger widths, please enquire. ml = meter length.

AUTOMATIC COVERS: THE SLATS

Step slats

In order to adapt to any swimming pool shape, 3 different geometric shapes are offered, thus ensuring a perfect fit to the outline of the swimming pool and maximum safety.

The available shapes are Roman steps, Straight steps and Trapezoidal steps.

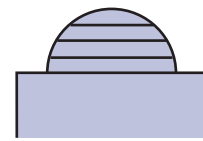


METHOD TO CALCULATE OF STEPS SLATS

ROMAN STEPS

Location:
It must be located on the side opposite to the cover motor.

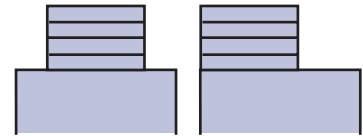
Step price:
Roman step pricelist.



STRAIGHT STEPS

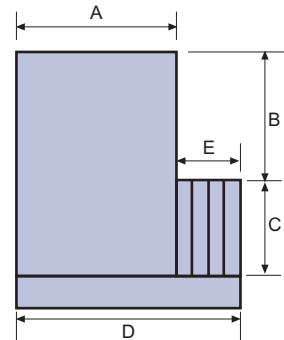
Location:
a) Located in front of the cover motor.

Step price:
Straight step price.



Location:
b) Located next to the cover.

Step price:
Slat pricelist per metre length $D \times (C + 1 \text{ m})$.
• The length of side D includes the width of the pool $A + E$ (width of steps).

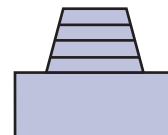


NOTE FOR SIDE STEPS:
Calculation of the total slat price:
Steps price + slat price $(A \times B)$

ISOSCELES TRAPEZOIDAL STEPS

Location:
Located in front of the cover.

Step price:
Trapezoidal step pricelist.



AUTOMATIC COVERS: SLATS

Step slats

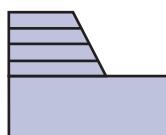
RECTANGULAR TRAPEZOIDAL SLATS

Location:

a) Located in front of the cover

Step price:

Trapezoidal step price.



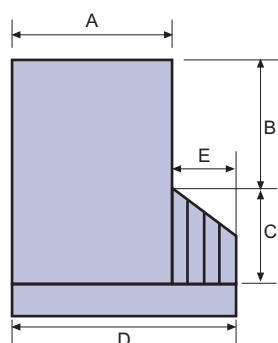
Location:

b) Located next to the cover

Step price:

Slat price per metre length
 $D \times (C + 1 \text{ m}) + \text{slat cutting surcharge}$
 for custom cutting per metre length.

- The length of rollers includes the width of the pool A + the depth of the steps E.



NOTE FOR LATERAL STEPS:

Calculation of total slat price: Step price + slat price (A x B)

Description	White	Sand	Opaque Blue	Grey	Blue traslucid*
Square-cut Roman ladder					
Ø 3 m	31182	31183	31184	41043	31185
Ø 4 m	31186	31187	31188	41044	31189
Shape-cut Roman ladder					
Ø 3 m	37094	37188	37190	41045	37192
Ø 4 m	37095	37189	37191	41046	37193
Straight steps					
2 x 1.5 m	31190	31191	31192	41047	31193
2.5 x 2 m	31194	31195	31196	41048	31197
Square-cut Trapezoidal ladder					
3 m base	31198	31199	31200	41049	31201
4 m base	31202	31203	31204	41050	31205
Shape-cut Trapezoidal ladder					
3 m base	37098	37196	37198	41051	37200
4 m base	37099	37197	37199	41052	37201

Two finishing options: Square-cut and Shape cut

*For use only in Northern Europe. Not recommended for use below 45° latitude. For larger widths, please ask. ml = lineal metres

Code	Step Accessories
31206	Clamp to block steps
31180	Special square cnt for free form
38735	Special free form cnt

AUTOMATIC COVERS: ACCESSORIES

Cover accessories

We offer a list of accessories for both the use and the maintenance of the automatic cover.



Holding and lifting straps
Lift-prevention bracket



ABS fixture for wall fixing

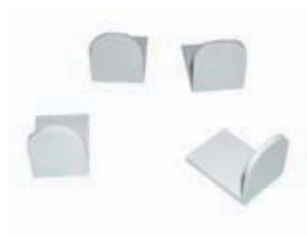
Accessories	Code
Lift-prevention bracket, new-built pool with strap fastener. (This model is the one served under express order of another code)	31181
Lift-prevention bracket in ABS for wall fixing + belts	34754
ABS bracket + S.S. support to install under the coping stone + belt	35131
Bracket slat plug - overflow pool	31943
Sky for above-ground cover model	31944



ABS bracket for fixing under the coping stone.



Cover strap fastener



Bracket slat plug



Above-ground cover Sky

In compliance with the French standard NF P90-308 for swimming pool covers the following straps will be supplied according to depending on the kind of cover and the swimming pool:

Submerged models and above-ground models with protective casing:

- Cover with steps: 3 units
- Cover without steps: 2 units

Above-ground models:

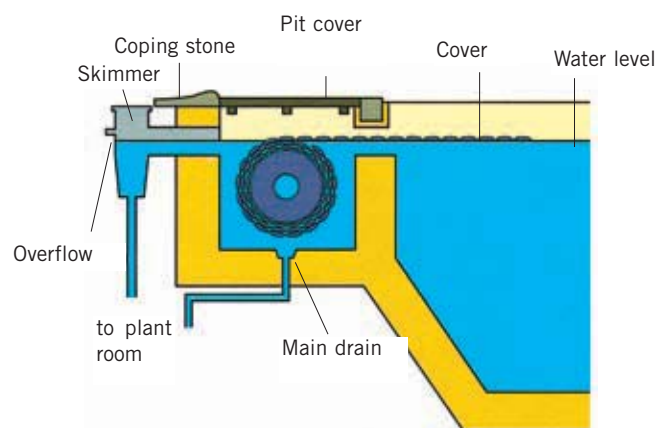
- Cover with steps: 5 units (2 on the motor side and 3 on the steps side)
- Cover without steps: 4 units (2 on the motor side and 2 on the opposite side)

AUTOMATIC COVERS: SUBMERGED MODELS



Roussillon submerged model

The Roussillon automatic cover is the submerged model which incorporates the motor in a separate pit, and both the roller shaft as well as the cover are housed at one end inside the pool itself. The submerged pit containing the roller shaft from the main pool should be separated from the main pool by a small concrete partition at the time of construction or with a PVC partition later on. The basic elements for assembling the cover are the slats, the step slats, the mechanical kit, the embedding kit, the aluminium tie beam and the pit cover.



MECHANICAL KIT

Includes the following elements:

- Ø 146 mm extruded aluminium roller shaft, 5 mm thick and Ø 30 mm connecting shaft.
- Motor supporting bracket.
- Watertight gaskets on the wall conduit side.
- Watertight gaskets on bearing support side.
- 24 V geared motor with stainless steel support bracket.
- 220/24V standard switchboard.
- On-off key switch.

Should be installed in full view of the pool. It operates with the key in the continuous contact position.



Geared motor
24 V



On-off key switch



220/24V operation
switchboard



Extruded aluminium shaft

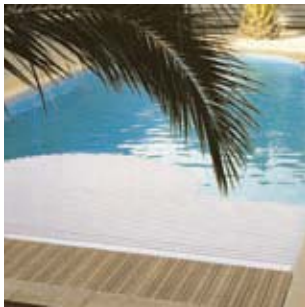
Maximum pool dimensions	Extruded shaft	Reducer motor Nm	Code
4x12 m	5 mm thick Aluminium shaft Ø 146	120 Nm	31144
5x12 m	5 mm thick Aluminium shaft Ø 146	120 Nm	31145
6x12 m	5 mm thick Aluminium shaft Ø 146	250 Nm	31146
7x15 m	3 mm thick Aluminium shaft Ø 168.3	250 Nm	31904
8x15 m	3 mm thick Aluminium shaft Ø 168.3	250 Nm	31909
8x16 m	3 mm thick Aluminium shaft Ø 168.3	600 Nm	31909-006
9x22 m	2 mm thick Aluminium shaft Ø 300	600 Nm	34767
10x22 m	2 mm thick Aluminium shaft Ø 300	600 Nm	34768
11x22 m	2 mm thick Aluminium shaft Ø 300	600 Nm	34769

AUTOMATIC COVERS: SUBMERGED MODELS

Roussillon submerged model

COMPLETE ELECTRICAL SWITCHBOARD (optional)

The 220/24V (120 & 250 Nm) standard electrical switchboard is included in the mechanical kit. Also available is a complete electrical switchboard which includes two spare contactors. One is for stopping salt electrolysis pool treatment when the cover is extended. The second contactor is meant for adapting a pressure cleaning system to the cover.



Electrical switchboard with options	Code
Switchboard operation with two spare contactors	31147

Note: If a salt chlorinator is used an earthing connection should be installed.

EMBEDDING KIT

Includes the following elements:

- Wall conduit .
- Bearing support bracket for embedding.
- Embeding parts (2) for tie beam support bracket.
- Watertight gaskets for wall conduits



310 mm wall conduit



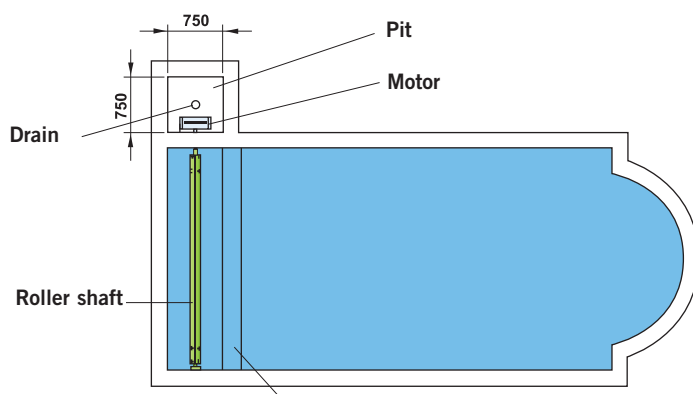
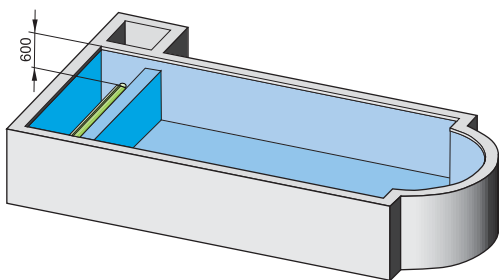
Bearing housing for embedding



Tie beam stand embedding piece

Embedding Kit	Code
Embedding kit with 210 mm conduit	31143
Embedding kit with 310 mm conduit	33074
Embedding kit with 110 mm conduit (special liner and panel pools)	33075

ROUSSILLON MODEL ASSEMBLY DRAWING



AUTOMATIC COVERS: SUBMERGED MODELS

Submerged model Conflent

The motor is integrated into the interior of the roller shaft and can be installed in existing pools of up to 6 meters wide.

As in the Roussillon model the submerged part containing the roller shaft should be separated by a small concrete partition at the time of construction or later with a PVC partition. The slat colours available for both models are white, beige and opaque blue.

Maxi. pool dimensions	Motor (Nm)	Code
Conflent		
Pool 4 x 12 m	120 (shaft without limit switch)	33069
Pool 4 x 12 m	250 (shaft with limit switch)	33070
Pool 5 x 12 m	120 (shaft without limit switch)	33071
Pool 5 x 12 m	250 (shaft with limit switch)	33072
Pool 6 x 12 m	250 (shaft with limit switch)	33073
Pool 7 x 14 m	250 (shaft with limit switch)	33906



Submerged model Ceret

The submerged automatic cover Ceret is specially designed for new-built or existing pools of up to 6 metres in width. The motor, placed at water level, is integrated into the roller shaft.

The submerged zone containing the roller shaft can be separated by a small concrete partition at the time of construction or with a PVC partition later on.

The basic elements for cover assembly are the slats, the step slats, the mechanical kit, the embedding kit, the aluminium tie beam and the pit cover.

It has the same technical features as the Roussillon model: easy to install in both existing and new-built pools. It blends in perfect harmony with the pool's surroundings. It is also easy to maintain thanks to the motor location, situated at water level.

The mechanics are made up of:

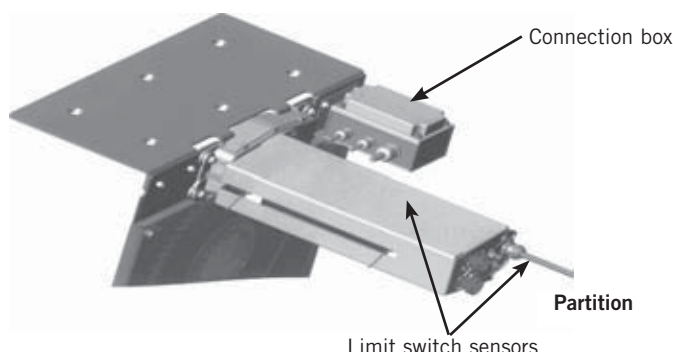
- 150 Nm motor equipped with a limit switch system.
- 2 stainless steel brackets: bearing part and motor part with only the gear transmission.
- A 220 V/24 V power supply unit with a remote key switch.

Max. pool dimensions	Motor	Code
Ceret		
Pool 4 x 12 m	shaft with limit switch	33759
Pool 5 x 12 m	shaft with limit switch	33760
Pool 6 x 12 m	shaft with limit switch	33761

WATER LEVEL NEEDED: 120 mm from the pool border.



Stainless Steel bracket



AUTOMATIC COVERS: SUBMERGED MODELS



Ceret roller with solar heating feature

It is suitable to cover swimming pools up to 6 x 12 meters with ladder and floating slats cover.

Max. pool dimensions	Code
Pool 4 x 12 m	45770
Pool 5 x 12 m	45771
Pool 6 x 12 m	45772

Submerged models: Price calculation

CALCULATING THE PRICE

- A.- Calculate the required length of the cover adding 1 metre to the useful length of the pool. Determine the price of the slats according to the price per lineal metre corresponding to the maximum width of the pool.
- B.- To calculate the total price add up the following:
 - Price of the slats.*
 - Price of the step slats.*
 - Price of the embedding kit, (only Roussillon model).
 - Price of the mechanical fixture kit (bearing in mind the maximum width of the pool).
 - Price of the tie beam (bearing in mind the required length).
 - Price of pit covers (bearing in mind the material and the size of the pit).
 - Cover strap fasteners, plus lift-prevention brackets.
- C.- Available options to be added to the above total cost:
 - Complete electrical switchboard.
 - Te beams and slats accessories.
 - PVC partition.
- Spare parts for the embedding kit and the tie beam.

*For pools with straight or lateral trapezoidal steps see pages 397 and 398.

Submerged models: Accessories

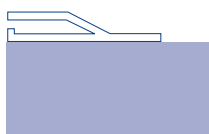
THE TIE BEAM

Its function is to provide support to the pit cover. Manufactured in white coated aluminium, it measures 100 x 110 mm and weighs 9 kg/ml.

This tie beam is delivered with coated stainless steel support bracket and stainless steel nuts and bolt

Note: The anti-flex support bracket is essential for more than 6 m.

Tie beam stand for liner horizontal profile



Tie beam stand for liner vertical profile



Lacquered Aluminium tie beam

AUTOMATIC COVERS: SUBMERGED MODELS

Submerged models: Accessories

THE TIE BEAM



The beam standard bracket



The beam stand for liner holding vertical profile



The beam support bracket for fastening to the pool wall



The beam adjustable bracket

Beam length	Code
White beam + Standard bracket	
UP TO 4 meters	31148
From 4 m to 5 m	31149
From 5 m to 6 m	31150
From 6 m to 7 m	31911
From 7 m to 8 m	31912
Sand beam + Standard bracket	
UP TO 4 meters	38529
From 4 m to 5 m	38530
From 5 m to 6 m	38531
From 6 m to 7 m	38532
From 7 m to 8 m	38533
White beam + Stand for liner holding vertical profiler	
UP TO 4 meters	33870
From 4 m to 5 m	33871
From 5 m to 6 m	33872
From 6 m to 7 m	33873
From 7 m to 8 m	33886
Sand beam + Stand for liner holding vertical profile	
UP TO 4 meters	38534
From 4 m to 5 m	38535
From 5 m to 6 m	38536
From 6 m to 7 m	38537
From 7 m to 8 m	38538
White beam + Support bracket for fastening to the pool wall	
UP TO 4 meters	33874
From 4 m to 5 m	33875
From 5 m to 6 m	33876
Sand beam + Support bracket for fastening to the pool wall	
UP TO 4 meters	38534
From 4 m to 5 m	38535
From 5 m to 6 m	38536
White beam + Adjustable bracket	
UP TO 4 meters	35717
From 4 m to 5 m	35718
From 5 m to 6 m	35719
From 6 m to 7 m	35720
From 7 m to 8 m	35721
Sand beam + Adjustable bracket	
UP TO 4 meters	38539
From 4 m to 5 m	38540
From 5 m to 6 m	38541
From 6 m to 7 m	38542
From 7 m to 8 m	38543

TIE BEAM ACCESSORIES



Anti-flex stand

Tie beam accessories	Code
Anti-flex stand for 700 mm pit covers and beams of more than 6 m	31920
Anti-flex stand for 950 mm pit covers and beams of more than 6 m	31913

AUTOMATIC COVERS: SUBMERGED MODELS

Submerged models: Accessories

THE PIT COVER

The pit cover protects the automatic cover operating unit and conveys an aesthetic improvement to the surroundings. It is available in IPE wood, or in white aluminium.

New Pit cover composite available in two colors: Grey and wood colours. Composite material is fully adhered, even when wet, and it has a hardness equivalent to the hardest solid woods. As a material insensitive to climate change, durability and resistance are one.

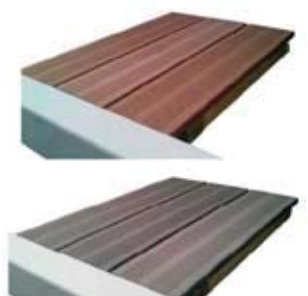
For pools with a partition wall the cover will be 950 mm wide, while for pools with a PVC partition the 700 mm lid will be used.



Pit cover of IPE wood



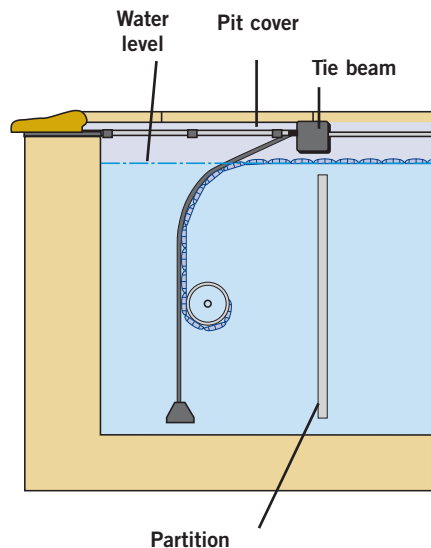
Pit cover of white aluminium



Pit cover of composite

The pit cover	Code
IPE wood 1.00 x 0.70 m	31152
IPE wood 1.00 x 0.95 m	31153
IPE wood made to measure, m ²	31154
White aluminium 1.00 x 0.70 m	33679
White aluminium 1.00 x 0.95 m	33680
White aluminium made to measure, m ²	33681
Sand aluminium 1.00 x 0.70 m	38512
Sand aluminium 1.00 x 0.950 m	38513
Sand aluminium made to measure, m ²	38514
Composite wood colour 1.00 x 0.70 m	53864
Composite wood colour 1.00 x 0.95 m	53865
Composite grey colour 1.00 x 0.70 m	53866
Composite grey colour 1.00 x 0.95 m	53867

New



PVC PARTITION

The partition can be made of concrete or PVC. It is designed to improve safety by preventing bathers from coming into contact with the roller shaft. It also prevents the pool-floor cleaning hose from being rolled up into the slats.

The partition is made up of 300 mm high PVC panels, internally reinforced with stainless steel. It is fastened with two white coated stainless steel U clamps, which are fastened to the tie beam support bracket.

Will be fastened to vertical walls

For pools of more than 6 m width ask your AstralPool branch.

AUTOMATIC COVERS: SUBMERGED MODELS

Submerged models: Accessories



Partition panel with stainless steel reinforcement



900 mm high U clamp



1200/1500 mm high U clamp

Partitions	Code
PVC partition + Stainless Steel 900 mm x 4 m	31158
PVC partition + Stainless Steel 900 mm x 5 m	31159
PVC partition + Stainless Steel 900 mm x 6 m	31160
PVC partition + Stainless Steel 1200 mm x 4 m	31161
PVC partition + Stainless Steel 1200 mm x 5 m	31162
PVC partition + Stainless Steel 1200 mm x 6 m	31163
PVC partition + Stainless Steel 1500 mm x 4 m	33077
PVC partition + Stainless Steel 1500 mm x 5 m	33078
PVC partition + Stainless Steel 1500 mm x 6 m	33079
Partition Sand colour + Stainless Steel 900 mm x 4 m	38515
Partition Sand colour + Stainless Steel 900 mm x 5 m	38516
Partition Sand colour + Stainless Steel 900 mm x 6 m	38517
Partition Sand colour + Stainless Steel 1200 mm x 4 m	38518
Partition Sand colour + Stainless Steel 1200 mm x 5 m	38519
Partition Sand colour + Stainless Steel 1200 mm x 6 m	38520
Partition Sand colour + Stainless Steel 1500 mm x 4 m	38521
Partition Sand colour + Stainless Steel 1500 mm x 5 m	38522
Partition Sand colour + Stainless Steel 1500 mm x 6 m	38523
Stainless Steel U clamps H 900 mm on beam bracket	31164
Stainless Steel U clamps H 900 mm for fastening on the wall	33083
Stainless Steel U clamps H 1200 mm for fastening on the wall	31165
Stainless Steel U clamps H 1500 mm for fastening on the wall	33084
S.S. U clamps colour Sand H 900 mm for fastening on the wall	38736
S.S. U clamps colour Sand H 1200 mm for fastening on the wall	38737
S.S. U clamps colour Sand H 1500 mm for fastening on the wall	38738
S.S. U clamps colour White H 1200 mm on beam bracket	38549
S.S. U clamps colour White H 1500 mm on beam bracket	38550
S.S. U clamps colour Sand H 900 mm on beam bracket	38551
S.S. U clamps colour Sand H 1200 mm on beam bracket	38552
S.S. U clamps colour Sand H 1500 mm on beam bracket	38553

Tie beam and embedding kit spare parts	Code
210 mm wall conduit	31207
310 mm wall conduit	33076
110 mm wall conduit for liner pool	31211
Pre-embeddings (2) tie beam support bracket	31208
Bearing support for embedding	31209
2x tie beam brackets	31910
2x tie beam stands liner vertical profile	31210
2x tie beam stands for fastening to pool wall with wall plugs	32645

AUTOMATIC COVERS: ABOVE-GROUND MODELS

N-Carlit above ground model

New



Automatic above-ground cover perfect for existing pools with limit switch up to:

- 3 x 18 m + stairs
- 4 x 17 m + stairs
- 5 x 17 m + stairs
- 6 x 16 m + stairs
- 7 x 14 m + stairs

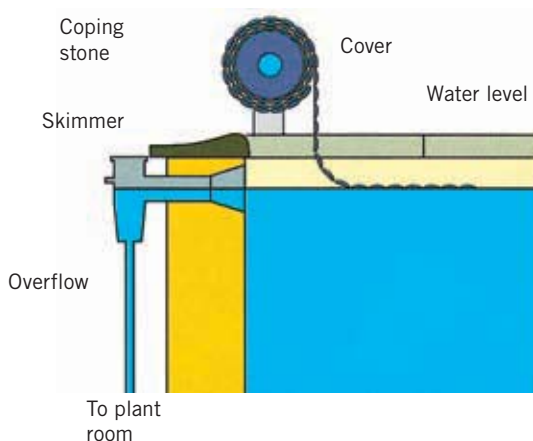
Note that as it is an above-ground model cover, the storage rollers must be placed out of the pool, fixed to the floor.

MECHANICAL KIT:

Consists of:

- Two white or sand colour coated stainless steel stands
- Ø 146 mm anodised aluminium roller shaft.
- 24V tubular motor with limit switch adjustment, or 12 volts depending on the pool width.
- Key switch with self return to 0 point
- Switchboard with 220/24V transformer.

	Colour white / black	Colour white / white
Mechanical kit up to 3.03 x 12 meters	54136	54146
Mechanical kit up to 3.03 x 17 meters	54137	54147
Mechanical kit up to 4.03 x 12 meters	54136	54146
Mechanical kit up to 4.03 x 16 meters	54137	54147
Mechanical kit up to 4.03 x 17 meters	54141	54151
Mechanical kit up to 5.03 x 12 meters	54138	54148
Mechanical kit up to 5.03 x 13 meters	54139	54149
Mechanical kit up to 5.03 x 17 meters	54142	54152
Mechanical kit up to 6.03 x 17 meters	54140	54150
Mechanical kit up to 7.03 x 14 meters	54145	54155



POOL COVERS AND ROLLERS

AUTOMATIC COVERS: ABOVE-GROUND MODELS



N-Carlit Eco above ground model

New

Automatic above-ground cover perfect for existing pools without limit switch up to:
- 5 x 10 m + stairs

	Colour white / black	Colour white / white
Mechanical kit up to 3.03 x 10 meters	54132	54134
Mechanical kit up to 4.03 x 10 meters	54132	54134
Mechanical kit up to 5.03 x 10 meters	54133	54135



N-Carlit Manual above ground model

New

Manual roller that can cover pools up to 5 x 10 m using floating slats.

Consist of:

- Two white or sand color coated stainless steel stands.
- One Roller shaft.
- One integrated reducing gear to facilitate the cover roll up.
- One crank.

Optional: kit to automate the equipment by electric motor.

	Colour white / black	Colour white / white
Mechanical kit up to 3.03 x 10 meters	54128	54130
Mechanical kit up to 4.03 x 10 meters	54128	54130
Mechanical kit up to 5.03 x 10 meters	54129	54131

AUTOMATIC COVERS: ABOVE-GROUND MODELS



Above-ground: Price calculation

CALCULATING THE PRICE

- A.- Calculate the total length of slats according to the water surface length of the pool. Calculate the price of the slats according to the price per m and the pool's maximum width.
- B.- To calculate the total price add up the following aspects:
 - Price of the slats.*
 - Price of the step slats.*
 - Price of the mechanical kit (taking into consideration the pool's maximum width).
 - Cover strap fasteners.
- C.- Available options to be added to the above total cost:
 - Slat accessories

*For pools with straight or lateral trapezoidal steps check pages 397 and 398.



Carlit Solar Pool cover

The automatic solar pool cover Carlit runs on solar energy, making it a very environmentally-friendly product. It reduces water evaporation and heat loss in your pool. The cover also minimises premature evaporation of pool chemicals. Certified by the French standard NF 90-308, the Carlit solar pool cover guarantees higher quality, reducing possible accidents arising from children, animals, or objects falling into the water.

Precautions for installation: THE SUN MUST DIRECTLY COME INTO CONTACT WITH THE PHOTOVOLTAIC PLATE. DO NOT INSTALL UNDER A TREE OR FACING NORTH.

Main advantages:

- Easy to install, no cabling required (solar powered).
- 40-cycle independence: once the battery is fully charged, in the absence of further light the cover can be extended and retracted 40 times.
- Easy to use cover with low maintenance costs.

General features:

- It allows pools up to 6 x 12 m with step area to be fully covered
- Geared motor powered by solar energy. One of the supports features a photovoltaic cell.
- Tubular 150 Nm 12 v. geared motor. Anodised aluminium pipe.
- Limit switch memory system.
- 3 different slat and end piece colours are available: white, sand and blue.
- Two 12 volt battery.



Mechanical pool cover coding	Code
Mechanical kit up to 4 m (up to 4 x 12 m)	35917
Mechanical kit up to 5 m (up to 5 x 12 m)	35918
Mechanical kit up to 6 m (up to 6 x 12 m)	35919



POOL COVERS AND ROLLERS

AUTOMATIC COVERS: ABOVE-GROUND MODELS



Above-ground: Vallespir model

Motor located at the foot of the roller shaft. Ideal for existing pools of up to 7.5 metres in width. It is composed of:

Two white coated aluminium stands, RAL 9016, with fixing plates prepared for fastening to the coping stone, equipped with two white polyester covers.

Roller shaft in anodised aluminium for pools of up to 5 m and 24 V 120 Nm geared motor with limit switch. 168 mm diameter stainless steel roller shaft for pools of more than 6 m in width, 24 V 120 Nm geared motor with limit switch.

220/24 V Electrical power control cabinet.

Remote control switch, in full view of the pool, with 3 fixed positions according to the French standard NF P90-308.

Maxi. pool dimensions	Motor (Nm)	Code
Vallespir		
Pool 4 x 12 m	120	33087
Pool 5 x 12 m	120	33088
Pool 6 x 12 m	250	33089
Pool 7.5 x 15 m	250	33090

AUTOMATIC COVERS: ABOVE-GROUND MODELS WITH PROTECTIVE CASING



Above-ground models with protective casing: Capcir and Narbonne

Easy to install and to start operating, ideal for installing in existing pools. They incorporate protective casing for the cover's operating mechanical unit, providing greater safety and improving the design. It is ideal for pools of up to 6 metres in width.

On the **Capcir** model the motor is located in one side of the roller shaft, integrating perfectly with the cover casing. It ensures easy handling of the motor in the case of breakdowns or servicing. The panel-protected casing is available in white PVC or IPE wood. **CAUTION: DO NOT SIT ON IT NOR USE IT TO DIVE.**

Its main elements are a Ø 146 mm anodised aluminium roller shaft, a geared motor of 120 Nm or 250 Nmotor, an electric cabinet and a 3-position key switch in accordance with the French standard NF P90-308.

In the Narbonne model the motor is located inside the roller pipe itself in such a way that it is completely blended into the pool surroundings. The casing is protected by wood PVC or IPE timber.

Its main elements are a 12V, 150 Nm tubular motor with limit switch, a key switch with automatic return incorporated in the Istand cover and a switchboard with a transformer.

Maxi. pool dimensions	Motor (Nm)	Code		Code		Code		Code
		White PVC casing		Sand PVC casing		PVC wood colour casing		
Protective casing		non-dismountable	dismountable	non-dismountable	dismountable	non-dismountable	dismountable	Code
Capcir								
Pool 4 x 12 m	120	31947	-	-	-	-	-	31951
Pool 5 x 12 m	120	31948	-	-	-	-	-	31952
Pool 6 x 14 m	250	31949	-	-	-	-	-	31953
Narbonne								
Pool 4 x 12 m	150	33432	41061	41056	41059	37139	41063	37109
Pool 5 x 12 m	150	33433	41062	41057	41060	37140	41064	37110
Pool 6 x 12 m	150	37112	-	41058	-	37141	-	37111

AUTOMATIC COVERS: ABOVE-GROUND MODELS WITH PROTECTIVE CASING

Above-ground models with protective casing: Solar Narbonne



The automatic solar cover works with solar energy and stands out as it is highly environmental. Keeps water from evaporating and reduces the loss of heat in the pool. On the other hand, it minimizes early evaporation of chemical products. Certified by the French NF 90-308 standard, the solar cover guarantees higher quality, reducing possible accidents due to children, animals, other objects falling into the pool... **PRECAUTIONS FOR USE: DO NOT SIT DOWN ON IT OR USE IT TO DIVE. Precautions for installation: THE SUN MUST DIRECTLY COME INTO CONTACT WITH THE PHOTOVOLTAIC PLATE. DO NOT INSTALL UNDER A TREE OR FACING NORTH.**

Main advantages:

- Easy to install, no cabling required (solar powered).
- 40-cycle independence: once the battery is fully charged, in the absence of further light the cover can be extended and retracted 40 times.
- **Easy to use cover with low maintenance costs.**



General features:

- Covers pools of up to 6 x 12 with stairs
- Roller powered by solar energy
- Two 12 volt batteries
- Limit switch memory system
- 3 types of casings possible: PVC, wood coloured PVC and timber Access to the motor through the base of the casing
- 150 Nm 12 volt motor.
- Possibility to ask for a dismountable casing to have access to slats
- Access to the motor without touching the slat casing.
- The casing is protected with PVC, wood coloured PVC or IPE timber sheets.

Maxi. pool dimensions	Motor (Nm)	Code		Code		Code		Code
		White PVC casing		Sand PVC casing		PVC wood casing		IPE casing
Protective casing		non-dismountable	dismountable	non-dismountable	dismountable	non-dismountable	dismountable	
Narbonne Solar								
Pool 4 x 9 m	150	37561	41068	41065	41070	37564	41072	37567
Pool 5 x 12 m	150	37562	41069	41066	41071	37565	41073	37568
Pool 6 x 12 m	150	37563	-	41067	-	37566	-	37569

AUTOMATIC COVERS: COMMERCIAL AND MUNICIPAL MODELS

Commercial roller model Borna



This shaft is aimed to install on commercial indoor or outdoor swimming pools of 12.5 x 25 meters maximum. It can be used for bubble or reinforced polyethylene foam covers. The distance between the roller shaft and the pool edges must be reduced as much as possible to prevent abnormal wear and tear due to the friction on the coping.

Technical features:

- 24 V 250 Nm motor
- 300 mm stainless steel shaft
- Thermoplastic bearings fitted with stainless steel bearing
- Motor protection cover in thermoformed ABS.
- Remote control + key

Mechanical kit Code	Code
Mechanical kit up to 12.5 m (max. 12.5 x 25 m)	38734



Municipal model Double

Suitable to cover municipal swimming pools up to 15 x 25 m with bubble or polyethylene based foam cover. Technical characteristics: 2 tubular motors of 120Nm and 24V. 2 aluminium shafts. 6 wheels. Remote control + key. Description: 6,03 x 25 m.

	Code	Standard Packaging	Standard Weight kg.	Standard ^d Volume m ³
Width ≤6,03m Length ≤ 25m	41441	-	-	-
Width ≤8,03m Length ≤ 25m	41442	-	-	-



Municipal model Aerial

Suitable to cover municipal swimming pools up to 12.5 x 25 m with bubble or polyethylene based foam cover. Technical characteristics: 150 x 150 mm white coated aluminium supports. Stainless steel shaft. Motor 250 Nm, 12V. Remote control + key.

	Code	Standard Packaging	Standard Weight kg.	Standard ^d Volume m ³
Width ≤12,53m Length ≤ 25m	41810	-	-	-

Above-ground models with protective casing: price calculation

CALCULATING THE PRICE

A.- Calculate the total length of slats required according to the water surface length of the pool. Determine the price of the slats according to the price per m as per the maximum width of the pool.

B.- To calculate the total price add up the following aspects:

- Price of the slats.*
- Price of the step slats.*
- Price of the mechanical kit (bearing in mind the maximum pool width).
- Cover strap fasteners plus lift-prevention brackets..

C.- Available options to be added to the above total cost:

- Slat accessories.

*For pools with straight or lateral trapezoidal steps consult pages 397 and 398.

AUTOMATIC COVERS: DISPLAY MODELS

Carlit display model (without motor)

Width: 1.5 metres with blue, white and sand colour slats.



Code	Standard Packaging	Standard Weight kg.	Standard ^d Volume m ³
33764	1	-	-

Carlit Solar display model (without motor)

Width: 1.5 m. With blue, white and sand colour slats.



Code	Standard Packaging	Standard Weight kg.	Standard ^d Volume m ³
38740	1	-	-

Capcir display model (without motor)

Width: 1.5 m. Casing half IPE timber and half PVC.



Code	Standard Packaging	Standard Weight kg.	Standard ^d Volume m ³
33765	1	-	-

Narbonne Solar display model (without motor)

Width: 1.5 m. Timber + PVC slats.



Code	Standard Packaging	Standard Weight kg.	Standard Volume m ³
38821	1	-	-

AUTOMATIC COVERS: ACCESSORIES

Spare parts

	Code	Standard Packaging	Standard Weight kg.	Standard Volume m ³
				
	Stainless Steel. Motor shaft length 490 mm. (standard). 31212	-	-	-
	Stainless Steel. Motor shaft length 600 mm. 31213	-	-	-
	Stainless steel bearings 62 x 30 x 16 316L. 31214	-	-	-
	Watertight cyclam mechanical seal. 31215	-	-	-
	Ceramic flange for wall conduit 31216	-	-	-
	2 conduit flange gaskets 31217	-	-	-
	2 bearing gaskets 31218	-	-	-
	Wall conduit flange 31219	-	-	-
	Bearing stopper 31220	-	-	-
	Bearing 31221	-	-	-
	250 Nm 24V geared motor. 31222	-	-	-
	120 Nm 24V geared motor. 31223	-	-	-
	120 Nm 24V Tubular motor. 31224	-	-	-
	220V/24V electrical switchboard. 31225	-	-	-
	220V/24V tubular motor electrical switchboard. 31226	-	-	-
	3-position key switch with self return. 31227	-	-	-
	Stainless steel motor support bracket. 31228	-	-	-
	Zamac counterweight. 31229	-	-	-

AUTOMATIC COVERS: ACCESSORIES

Spare parts



	Code	Standard Packaging	Standard Weight kg.	Standard Volume m ³
31230	Switch with key for Carlit model.	31230	-	-
31236-31237	Ø 146 mm Aluminium shaft with L. 4 m S. S. shaft	31231	-	-
31246	Ø 146 mm Aluminium shaft with L. 5 m S. S. shaft	31232	-	-
	Ø 146 mm Aluminium shaft with L. 6 m S. S. shaft	31233	-	-
31249-31250	71 mm right slat end-cap to be glued.	31234	-	-
	71 mm left slat end-cap to be glued.	31235	-	-
	1 lt PVC S3 (thick) glue for end-caps.	31236	-	-
	1 lt PVC 914 (liquid) glue for end-caps.	31237	-	-
31251	Roussillon model slat strap fasteners L. 150 mm	31238	-	-
	Carlit model slat strap fasteners L. 800 mm	31239	-	-
37212	Fixing plate for shaft straps.	31240	-	-
	Stainless steel screw A4 6 x 20 nuts for fixing plates	31241	-	-
	1.30 m tensor for counterweight.	31242	-	-
	220V/24V 400 VA ring transformer.	31243	-	-
	220V/24V 200 VA ring transformer.	31244	-	-
38557-38558	Rectifier (diode connection) 24V - 25 Amp.	31245	-	-
	15 Amp thermal circuit breaker.	31246	-	-
	10000 microfarad filter condenser.	31247	-	-
8555-38556	Limit switch cam for Aquajunior MTS 20/30 motors.	31248	-	-
	Electronic card for Aquamat motor.	31249	-	-
	Electronic card for Aquajunior motor.	31250	-	-
38559	Watertight limit switch.	31251	-	-
	Stainless steel. key 8 x 7 mm L. 60 mm.	31252	-	-
	S.S. bolts 6 pans M10 x 70 mm for fixing the bearing	31253	-	-
37210	Lead battery REC 12V-12AH.	37212	-	-
	White right cover to glue to lug.	38555	-	-
	White left cover to glue to lug.	38556	-	-
	Blue right cover to glue to lug.	38557	-	-
	Blue left cover to glue to lug.	38558	-	-
38510-38511	Sand right cover to glue to lug.	38559	-	-
	Sand left cover to glue to lug.	38560	-	-
	Carlit solar cover + electronic card.	37210	-	-
38899	Solar battery charger for Carlit or Narbonne models	38739	-	-
	Additional box for 120 Nm electrolysis (Carlit and Narbonne)	38510	-	-
	Additional box for 150 Nm electrolysis (Carlit and Narbonne)	38511	-	-
34777	220V/12V-100VA Carlit tubular 150 Nm motor power supply	38899	-	-
	Power supply at water level with dry contacts for electrolysis	34777	-	-
38821	Power supply box 250 N PL3000-24 V tubular motor	38821	-	-
	Power supply for motor at water level	35151	-	-
35151	Motor side vertical bracket with gears for Roussillon model at water level	37142	-	-

Manufacturing specifications

SUBMERGED MODEL

COMPANY ADDRESS	
Client name:	_____
Address:	_____
TEL:	FAX:

DELIVERY ADDRESS	
Address:	_____
Contact person:	_____
Acces 38T:	<input type="checkbox"/> Yes <input type="checkbox"/> No <input type="checkbox"/> 19 T
TEL:	FAX:

<input type="checkbox"/> ORDER	<input type="checkbox"/> QUOTATION	DATE	CUSTOMER REFERENCE:
---------------------------------------	---	-------------	----------------------------

TYPE OF COVER:

<input type="checkbox"/> ROUSSILLON Motor in dry pit	<input type="checkbox"/> CERET Motor at water level
<input type="checkbox"/> CONFLENT Motor without limit switch	<input type="checkbox"/> CONFLENT Motor with limit switch

TYPE OF POOL:

<input type="checkbox"/> LINER	<input type="checkbox"/> TILES	<input type="checkbox"/> CONCRETE	<input type="checkbox"/> FIBREGLASS	<input type="checkbox"/> PANELS	<input type="checkbox"/> OVERFLOW
WALL CONDUIT ALREADY INSTALL. <input type="checkbox"/> YES <input type="checkbox"/> No			If already installed, what type?		Embedded bearing already installed <input type="checkbox"/> YES <input type="checkbox"/> No
Wall thickness between cover roller pit and motor dry pit _____ cm					Tie beam support brackets already installed <input type="checkbox"/> YES <input type="checkbox"/> No

TYPES OF SLATS AND STAIRS:

<input type="checkbox"/> WHITE	<input type="checkbox"/> BLUE	<input type="checkbox"/> SAND	<input type="checkbox"/> GREY	<input type="checkbox"/> CLEAR BLUE	<input type="checkbox"/> SOLAR COLLECTORS
<input type="checkbox"/> SQUARE CUT ROMAN STAIRS	<input type="checkbox"/> FREE FORM ROMAN STAIRS	<input type="checkbox"/> STRAIGHT STAIRS			
<input type="checkbox"/> SQUARE CUT TRAPEZOIDAL STAIRS	<input type="checkbox"/> FREE FORM TRAPEZOIDAL STAIRS	<input type="checkbox"/> Others			

TIE BEAM, PARTITION WALL AND PIT COVER

TIE BEAM COLOUR/ SUPPORT BRACKET/ WALL BRACKET: WHITE SAND

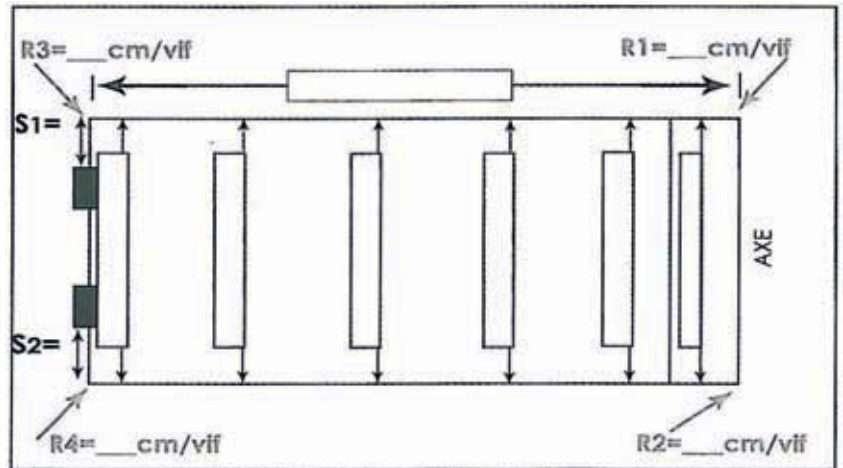
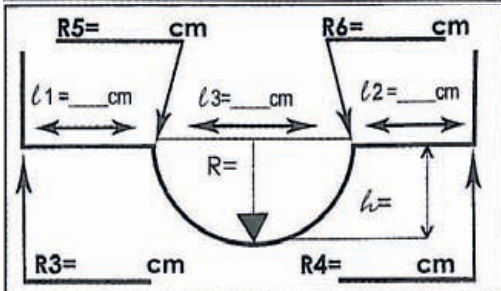
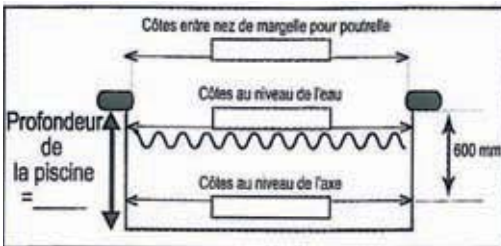
<input type="checkbox"/> TIE BEAM + BRACKET: Pool under construction	<input type="checkbox"/> TIE BEAM + BRACKET: Pool renovation	
<input type="checkbox"/> TIE BEAM + ADJUSTABLE BRACKET	<input type="checkbox"/> TIE BEAM + WALL BRACKET	
<input type="checkbox"/> WALL H 900	<input type="checkbox"/> PARTITION WALL BRACKET 900 mm for fixing on vertical wall	<input type="checkbox"/> PARTITION WALL BRACKET 900 mm for fixing below the tie beam bracket
<input type="checkbox"/> WALL H 1200	<input type="checkbox"/> PARTITION WALL BRACKET 1200 mm for fixing on vertical wall	<input type="checkbox"/> PARTITION WALL BRACKET 1200 mm for fixing below the tie beam bracket
<input type="checkbox"/> WALL H 1500	<input type="checkbox"/> PARTITION WALL BRACKET 1500 mm for fixing on vertical wall	<input type="checkbox"/> PARTITION WALL BRACKET 1500 mm for fixing below the tie beam bracket
<input type="checkbox"/> PIT COVER IPE 700mm	<input type="checkbox"/> PIT COVER IPE 950mm	<input type="checkbox"/> PIT COVER IPE customised..... mm
<input type="checkbox"/> PIT COVER ALU 700mm	<input type="checkbox"/> PIT COVER ALU 950mm	<input type="checkbox"/> PIT COVER ALU customised..... mm

SAFETY SYSTEM:

<input type="checkbox"/> ABS BRACKET FOR FIXING ON THE WALL + STRAPS	<input type="checkbox"/> ABS BRACKET + S.S. BRACKET FOR FIXING UNDER THE COPING STONE + STRAPS
--	--

SKIMMER LOCATION

<input type="checkbox"/> ON 1 SIDE	<input type="checkbox"/> ON 2 SIDES	<input type="checkbox"/> PROJECTION OF CM	<input type="checkbox"/> VERTICAL TO THE PAVING	<input type="checkbox"/> ON THE WIDTH SIDE
------------------------------------	-------------------------------------	---	---	--



CHECK POOL WIDTH EVERY METRE
Place the skimmers

ATTENTION: IN CASE OF NON CIRCULAR STAIRS OR AN IRREGULAR RADIUS, PLEASE SEND A DIMENSIONED DESIGN

Manufacturing specifications

ABOVE GROUND MODEL

COMPANY ADDRESS	
Client name: _____	
Address: _____	
TEL: _____	FAX _____
E-MAIL: _____	

DELIVERY ADDRESS	
Address _____	
Contact person: _____ TEL: _____	
Access 38T <input type="checkbox"/> Yes <input type="checkbox"/> No	
19 T <input type="checkbox"/> FAX: _____	

<input type="checkbox"/> ORDER	<input type="checkbox"/> QUOTATION	DATE: _____	CUSTOMER REFERENCE: _____
--------------------------------	------------------------------------	-------------	---------------------------

TYPE OF COVER

COLOURS: WHITE SAND WOOD

CARLIT NARBONNE PVC

CARLIT SOLAR NARBONNE PVC with removable cover CAPCIR PVC

VALLESPIR NARBONNE WOOD CAPCIR WOOD COMMERCIAL COVER Borne type

TYPE OF POOL:

LINER TILES CONCRETE FIBREGLASS PANELS OVERFLOW

TYPE OF SLATS AND STAIRS:

WHITE BLUE SAND GREY CLEAR BLUE SOLAR COLLECTORS

SQUARE CUT ROMAN STAIRS FREE FORM ROMAN STAIRS STRAIGHT STAIRS

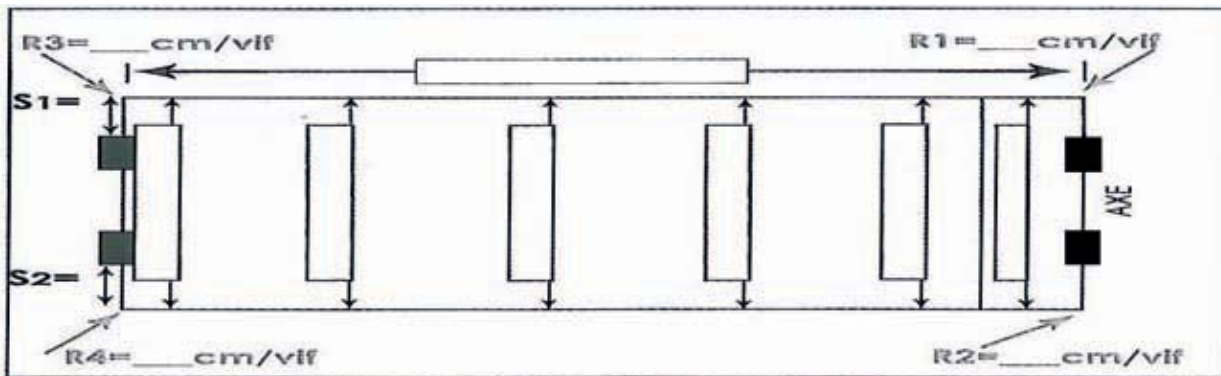
SQUARE CUT TRAPEZOIDAL STAIRS FREE FORM TRAPEZOIDAL STAIRS Others

SAFETY SYSTEM:

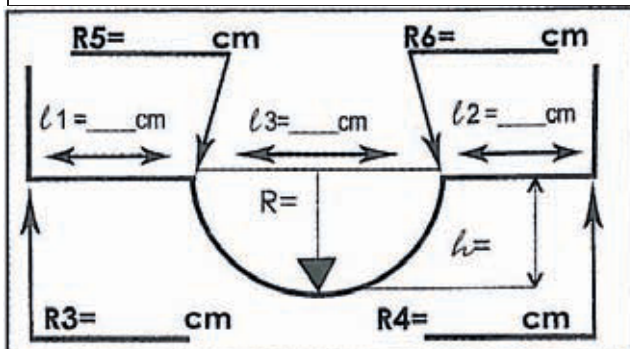
ABS BRACKET FOR FIXING ON THE WALL + STRAPS ABS BRACKET + S.S. BRACKET FOR FIXING UNDER THE COPING STONE + STRAPS

SKIMMER LOCATION

ON 1 SIDE ON 2 SIDES PROJECTION OF CM VERTICAL TO THE PAVING ON THE WIDTH SIDE



CHECK POOL WIDTH EVERY METRE / Place the skimmers / Place power connection panel for CAPCIR models



ATTENTION: IN CASE OF NON CIRCULAR STAIRS OR AN IRREGULAR RADIUS, PLEASE SEND A DRAWING

TELESCOPIC COVERS

Telescopic cover system for KIT pools. Very easy assembly, even for the end user. The tools necessary for the complete assembly are included with each cover. Structure and guide surface finish, paint or elox. Structure manufactured with high quality AlMgSi aluminium. Meets NF P 90-309 standard:

- Resistant to 100 to 120 km/h winds
- Resists more than 80 kg of weight per m²



Klasik

Telescopic cover klasik model with structure and guide surface elox finish. Three support profiles per module. Movable front walls made of polycarbonate. Hinged door. Distance of the guides between shafts 70 mm. 35 x 50 mm profiles. Single celled, limp, cellular 8 mm polycarbonate with UV protection. Heat transmission coefficient (K = 3.1 kW m² on the ceiling and K= 5.4 kWm² on the walls) no DROP treatment.

	Code	Standard Packaging	Standard Weight kg.	Standard Volume m ³
A Klasik model – Elox colour	36822	1	-	-
B Klasik model – Elox colour	36823	1	-	-
C Klasik model – Elox colour	36824	1	-	-

Model	Max. pool dimensions	Outside width	Lenght	Height
A	315 x 633 cm	360 cm	641 cm	105 cm
B	411 x 844 cm	470 cm	852 cm	155 cm
C	497 x 1055 cm	570 cm	1063 cm	185 cm



Casablanca

Structure and guide surface finish in white or pine colour. 73.5 x 50 mm profiles. Elox guides. Door on the rear wall. Fixed front door. Side door 2 on the larger module, child security lock with key. Transparent glass walls and sides. Single celled, limp, cellular 8 mm polycarbonate with UV protection. Heat transmission coefficient (K = 3.3 kW/3) no DROP treatment.

	Code	Standard Packaging	Standard Weight kg.	Standard Volume m ³
A Casablanca model – white colour	36825BL	1	-	-
B Casablanca model – white colour	36826BL	1	-	-
C Casablanca model – white colour	36827BL	1	-	-
A Casablanca model – wood colour	36825PI	1	-	-
B Casablanca model – wood colour	36826PI	1	-	-
C Casablanca model – wood colour	36827PI	1	-	-

Model	Max. pool dimensions	Outside width	Lenght	Height
A	517 x 948 cm	578 cm	970 cm	263 cm
B	595 x 1264 cm	678 cm	1286 cm	283 cm
C	595 x 1580 cm	700 cm	1603 cm	294 cm



Klasik No-Line

Compact dimensions. Lateral, front and rear doors in PLEXI GLASS with 5.5 Kwm² heat transmission. One of the major advantages incorporated in these models is the non-rail movement. 60 x 60 mm profiles. White coated structure surface finish. Roof manufactured in single celled, limp, cellular 8 mm polycarbonate with UV protection. Heat transmission coefficient (K = 3.3 kW/m²) no DROP treatment.

	Code	Standard Packaging	Standard Weight kg.	Standard Volume m ³
Klasik No-Line A white coated	38732	1	-	-
Klasik No-Line B white coated	38733	1	-	-

Model	Max. pool dimensions	Outside width	Lenght	Height
A	468 x 1045 cm	590 cm	1046 cm	130 cm
B	567 x 1250 cm	715 cm	1254 cm	150 cm

ABOVE GROUND POOLS



- 420 • Above ground pool ladders
- 423 • Monoblocs with d.e. and cartridge filters
- 425 • Skimfilters
- 426 • Skimmers
- 427 • Underwater lights
- 427 • Garden showers



ABOVE GROUND POOL LADDERS

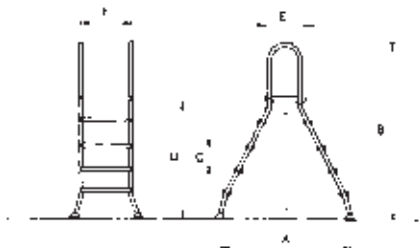
Above ground pool Stainless Steel ladder + platform



Handrails Ø 43 in polished AISI-304 Stainless Steel with platform and steps in plastic steps.

- Pool height 1 m**
2 x 3 steps + 1 platform
- Pool height 1.20 m**
2 x 4 steps + 1 platform
- Pool height 1.50 m**
2 x 5 steps + 1 platform

Code	Standard Packing	Standard Weight	Standard Volume m ³
05520	1	18.2	0.07
05521	1	21.4	0.09
05522	1	24.5	0.11



Code	A	B	C	D	E	F
05520	1150	1680	240	1030	375	500
05521	1360	1920	240	1270	375	500
05522	1625	2250	240	1600	375	500

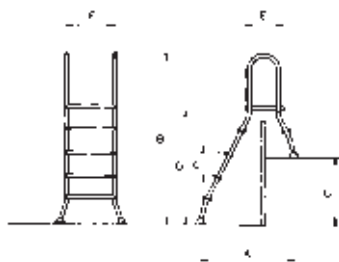
Partially in-ground S.S. ladder + platform



Handrails Ø 43 in polished AISI-304 Stainless Steel with platform and steps in plastic steps.

- Pool height 1 m**
1 x 3 steps + 1 step + 1 platform
- Pool height 1.20 m**
1 x 4 steps + 1 step + 1 platform
- Pool height 1.50 m**
1 x 5 steps + 1 step + 1 platform

Code	Standard Packing	Standard Weight	Standard Volume m ³
05523	1	18.0	0.07
05524	1	18.2	0.09
05525	1	19.2	0.11



Code	A	B	C	D	E	F	G
05523	920	1680	240	1030	375	500	480
05524	1025	1920	240	1270	375	500	720
05525	1130	2250	240	1600	375	500	960

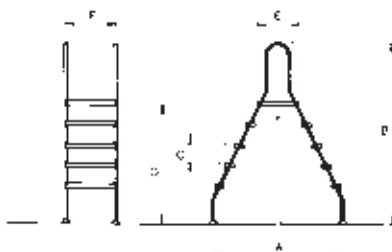
Above ground aluminium ladder + platform



Handrails Ø 28 mm in white painted aluminium with platform and steps in plastic steps.

- Pool height 1 m**
2 x 3 steps + 1 platform
- Pool height 1.20 m**
2 x 4 steps + 1 platform
- Pool height 1.50 m**
2 x 5 steps + 1 platform

Code	Standard Packing	Standard Weight	Standard Volume m ³
00031	1	10.9	0.067
00032	1	12.7	0.076
00033	1	14.5	0.100



Code	A	B	C	D	E	F
00031	1120	1680	240	1050	375	500
00032	1330	1920	240	1290	375	500
00033	1540	2160	240	1530	375	500

ABOVE GROUND POOL LADDERS

ECO open ladder

Galvanized railing painted in white epoxy Ø 25 mm.



05527

Pool height 1.20 m
2 x 4 steps

Code	Standard Packing	Standard Weight	Standard Volume m ³
05527	1	10.6	0.045

Range of ladders for above ground pools

The new range of ladders for above ground pools (27286, 27287, 27288, 27289) has been designed giving them a new, ergonomic and attractive design and following the AFNOR NF P 90-302 standard. This item replaces the previous ladder range offered so far for above ground pools (09914, 19915, 09919). The plastic steps have an ergonomic design and are treated against UV rays. The steps also have in-built bushings, not visible externally. The pipe used is of 25 mm galvanized steel and is painted in white. In ladders having platforms, this has a large surface area, and for ladders with a security system, the front base is designed in plastic for easy assembly and use.



27286

2 x 3 steps. Pool height 0.90 m
2 x 4 steps. Pool height 1.20 m
2 x 3 with platform. Pool height 0.90 m
2 x 4 with platform. Pool height 1.20 m
2 x 4 with platform and security system. Pool height 1.20 m

Code	Standard Packing	Standard Weight	Standard Volume m ³
27286	1	8.20	0.028
27287	1	10.06	0.036
27288	1	10.89	0.047
27289	1	12.54	0.056
27290	1	15.61	0.056



27287



27289



27290



27288

SAND FILTER MONOBLOCS

Compact monobloc Ø 300 mm Top Hoop



Fully fitted with a 1/4 HP pump and G.S.certified. Flow rate 3.5 m³/h. Includes 4 way multiport valve and connection accessories (Ø 38 mm).

Code	Standard Packing	Standard Weight	Standard Volume m ³
09688	1	10.5	0.09

Compact monobloc Ø 380 mm Top Hoop



Fully fitted with a 1/3 HP Sena pump. Flow rate 5.5 m³/h. Includes 6 way multiport valve (1 1/2") and connection accessories (Ø 38 mm). Silex not included.

Code	Standard Packing	Standard Weight	Standard Volume m ³
25449	1	15	0.21

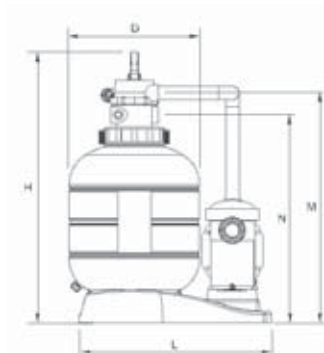
Millennium monoblocs Top Thread



Top mounted valve with Sena pump. Includes 6 way multiport valve, pressure gauge, air relief and water purge valves. Threaded filter cover.

- Ø 380 mm
- Ø 430 mm
- Ø 480 mm
- Ø 560 mm

Code	Standard Packing	Standard Weight	Standard Volume m ³
27805	1	26	0.33
23342	1	27	0.33
23343	1	31	0.44
23344	1	35	0.48



Code	27805	23342	23343	23344
D	380	430	480	560
H	905	955	975	1055
M	735	815	835	915
N	670	735	755	815
L	710	715	835	835
Connections	1 1/2"	1 1/2"	1 1/2"	1 1/2"
Flow rate m ³ /h	5.5	7	9	12
Filtration surface m ²	0.113	0.145	0.18	0.246
Sand kg	40	60	80	110
Max. working pressure kg/cm ²	2.5	2.5	2.5	2
Sena pump	1/3 HP	1/3 HP	1/2 HP	3/4 HP

MONOBLOCS WITH D.E. AND CARTRIDGE FILTERS

Cel monoblocs with diatomaceous earth filters



Consists of one Cel model diatomaceous earth filter, Astramax pump and a polypropylene base. To see the amount of diatomaceous earth, needed please see Cel series filter.

	Code	Standard Packing	Standard Weight	Standard Volume m ³
Cel 30. Flow rate 6.8 m ³ /h	18557	1	-	-
Cel 40. Flow rate 9 m ³ /h	18558	1	-	-
Cel 50. Flow rate 11.4 m ³ /h	18559	1	-	-
Cel 70. Flow rate 15.9 m ³ /h	18560	1	-	-

Cartridge



	Code	Standard Packing	Standard Weight	Standard Volume m ³
For Cel 30 filter	19789	1	2.5	0.016
For Cel 40 filter	19790	1	3.4	0.024
For Cel 50 filter	19791	1	4.2	0.031
For Cel 70 filter	19792	1	4.9	0.039

Terra monobloc with cartridge filter



Made of PP and fibreglass. Filtered with a pressure geuge and an air relief value. High filtration capacity and easy maintenance. 2" outlet (supplied with a reduction to 1½"). Filtration velocity of 1.8 m³/h x m². Maximum working pressure: 2.5 kg/cm².

	Code	Standard Packing	Standard Weight	Standard Volume m ³
Terra 50. Flow rate 8.4 m ³ /h	18549	1	18.3	0.22
Terra 75. Flow rate 12.5 m ³ /h	18550	1	19.4	0.22
Terra 100. Flow rate 16.5 m ³ /h	18551	1	20.5	0.25
Terra 150. Flow rate 25 m ³ /h	18552	1	-	-

Cartridge



	Code	Standard Packing	Standard Weight	Standard Volume m ³
For Terra 50 filter	19785	1	1.7	0.016
For Terra 75 filter	19786	1	2.0	0.024
For Terra 100 filter	19787	1	2.5	0.031
For Terra 150 filter	19788	1	3.1	0.03

CARTRIDGE FILTERS

Cylindrical cartridge filter



Made of unalterable plastics, transparent polycarbonate lid. One polyester fabric filtration cartridge. Connections 1½". Filtration surface 4.6 m². Flow rate 10 m³/h.

	Code	Standard Packing	Standard Weight	Standard Volume m³
Spare cartridge	00648	1	4.03	0.031
	00652	1	0.66	0.008

Cylindrical double cartridge filter



Made of unalterable plastics, transparent polycarbonate lid. One polyester fabric filtration cartridge. Connections 1½". Filtration surface 4.6 m². Flow rate 10 m³/h.

	Code	Standard Packing	Standard Weight	Standard Volume m³
Spare cartridge	00649	1	5.54	0.048
	04720	1	1.16	0.005

2000 litre compact cartridge filter



Extended range of cartridge filters with 2000 model for above ground pools. The filter housing is made of Polypropylene. The upper lid is sealed by bayonet. The cartridge used is made of cellulose for easy cleaning, with a flow of 2000 litres per hour. It is compact, with a suction inlet of Ø 32 mm and a pool return of Ø 25 mm.

	Code	Standard Packing	Standard Weight	Standard Volume m³
	19932	1	-	0.048

Cylindrical cartridge filter with in-built pump



Flow rate 5 m³/h at 4.5 m head 220 V. Made of unalterable plastics with transparent Polycarbonate lid. Cartridge in Polyester fabric. With inlet and outlet hoses. Filtration surface 2.3 m².

	Code	Standard Packing	Standard Weight	Standard Volume m³
Spare cartridge	00650	1	12.48	0.090
	00652	1	0.66	0.008



On request, these cartridge filters can be assembled as compact monobloc units on a single base or trolley.

SKIMFILTERS

Internal skimfilter for self-supporting pools

Ø 160 mm. Motor 12 V (50 Hz). Transformer 230-12V-50 Hz. GS certified. Includes cartridge. With a white PP hook for hanging on the above ground pool. Spare cartridge: 09037R0200/1.



	Code	Standard Packing	Standard Weight	Standard Volume m ³
Skimfilter, flow rate 4 m ³ /h	30943	1	5.12	0.025
Skimfilter, flow rate 2 m ³ /h	27587	1	4.74	0.025

Internal skimfilter for panel pools

Ø 160 mm. Motor 12 V (50 Hz). Transformer 230-12V-50 Hz. GS certified. Includes cartridge and a plastic hook for metallic panel pools. Spare cartridge: 09037R0200/1.



	Code	Standard Packing	Standard Weight	Standard Volume m ³
Skimfilter, flow rate 4 m ³ /h	30899	1	5.12	0.025
Skimfilter, flow rate 2 m ³ /h	27586	1	4.50	0.025

Skimfilter pack

Flow rate 3.8 m³/h. Mini-skimmer mouth, 2" inlet connection. Motor 12 V (50 Hz). Transformer 230-12V 50Hz. CE-GS certified. Includes cartridge. For fixing to pool outer wall. Spare cartridge: 09037R0200/1.



	Code	Standard Packing	Standard Weight	Standard Volume m ³
	30889	1	6.45	0.038

SKIMMERS



Floating skimmer

Ø 160 mm. Maximum flow rate 5 m³/h. Outer connections Ø 32 mm and Ø 38 mm. With narrow plastic hook designed for panel pools.

Code	Standard Packing	Standard Weight	Standard Volume m ³
16573	1	1.3	0.024



Mini-skimmer with inlet

Skimmer connections Ø 32 mm and Ø 38 mm.

Code	Standard Packing	Standard Weight	Standard Volume m ³
20889	1	2.2	0.019



Mini-skimmer with wide mouth with inlet for panel pools

Skimmer connections Ø 32 mm and Ø 38 mm.

Code	Standard Packing	Standard Weight	Standard Volume m ³
33350	1	3.5	0.03

UNDERWATER LIGHTS

Underwater light with bracket for hanging in above ground pools

230 V connection, transformer 230/12V, 75 W 12V lamp. Protection class III IP-68.



For pannel pool:

Square
Round

For above ground pool:

Square
Round

	Code	Standard Packing	Standard Weight	Standard Volume m ³
Square	21397	1	3.4	0.009
Round	21579	1	3.4	0.009
Square	38930	1	3.4	0.009
Round	38931	1	3.4	0.009

GARDEN SHOWERS

Garden shower

Adjustable to 2 heights (1.50 and 2.25 m). Quick connection to garden hose 13, 15 or 19 mm.



	Code	Standard Packing	Standard Weight	Standard Volume m ³
	18142	1	1.2	0.007

LINER REPAIRING KIT

Liner repairing kit

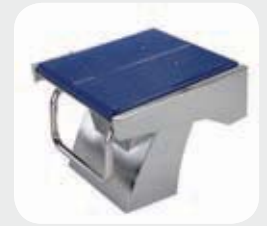
1 tube of 20 ml adhesive for liner and 2 liner strips. (PVC) transparent.



	Code	Standard Packing	Standard Weight	Standard Volume m ³
	24624	50	0.07	0.02



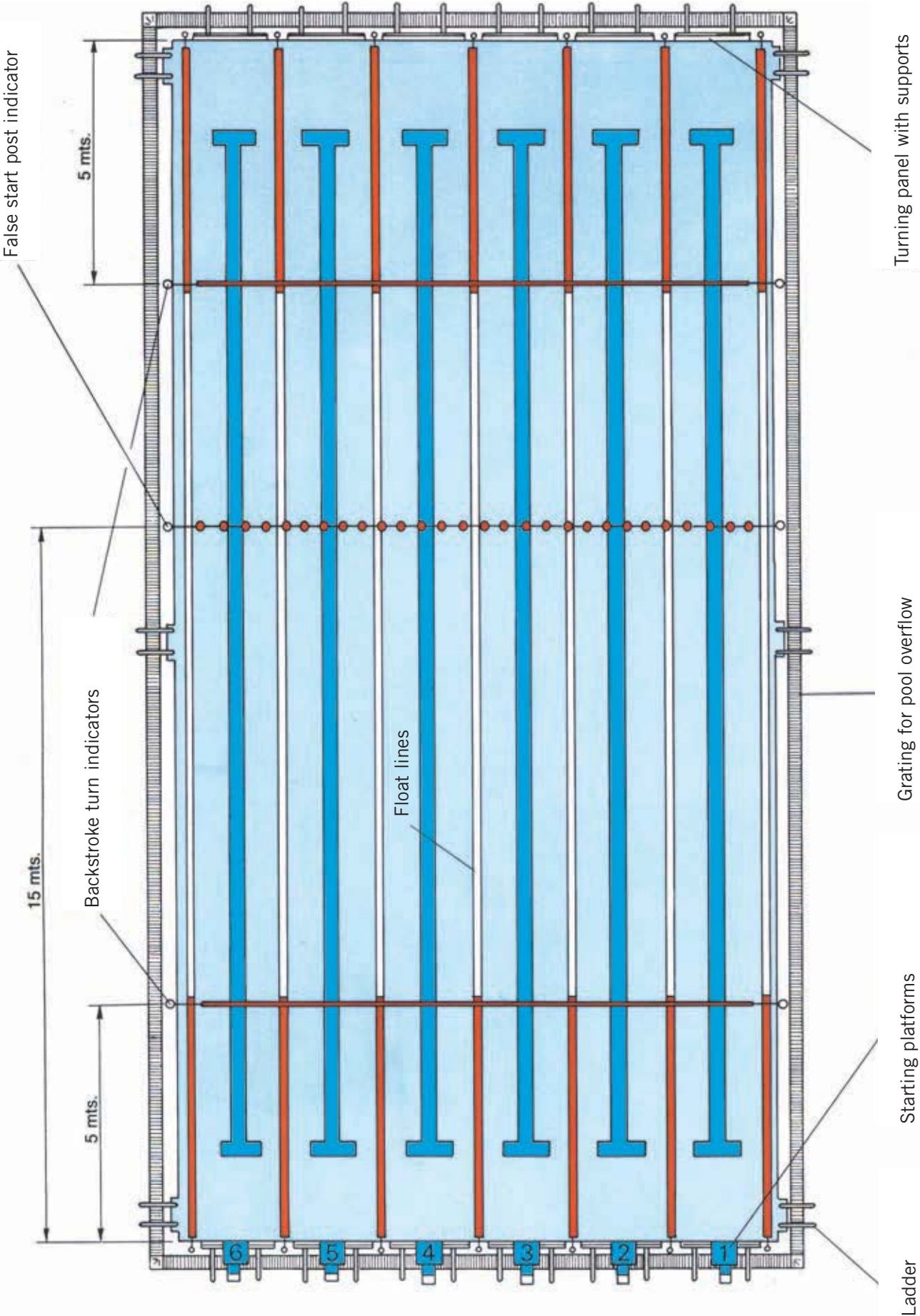
COMPETITION POOL EQUIPMENT



- 431 • Starting blocks for competition pools
- 434 • Lane ropes
- 439 • Floats
- 441 • Lane rope storage equipment
- 442 • Lane rope accessories
- 444 • Indicators
- 445 • Turning panels
- 446 • Anchoring sockets
- 447 • Movable wall



LOCATION OF THE VARIOUS EQUIPMENT USED IN COMPETITION POOLS



STARTING BLOCKS FOR COMPETITION POOLS



BCN03 Starting blocks



The BCN03 Starting block, developed and patented by AstralPool for the FINA Swimming World Championships held in Barcelona in 2003, introduces two innovations:

- allows the swimmer to adjust the angle of the block* manually. They can choose the angle most suitable from the available 0°, 3°, 6° and 10°.

- * The regulations of the International Swimming Federation (FINA) (FR2.7) allow an angle between 0 and 10° on the starting block. So far, all the starting blocks available in the market have consisted of a fixed unadjustable platform.

- side grip bars.

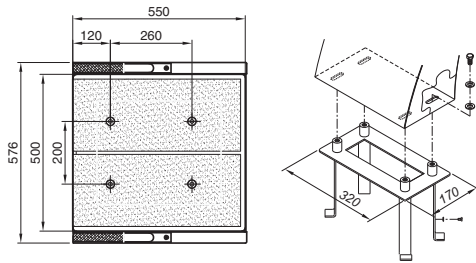
The starting block is manufactured using AISI-316 Stainless Steel. The standard starting platform can be dismantled to enable assembly of the Omega electronic timing system. It can also be adapted to other timing systems under request. The platform is 550 mm long x 500 mm wide, with a polished finish, and 437 mm high. Ideal for installation in a swimming pool with side walls.

BCN03 Block manual adjustment and fixed side handles

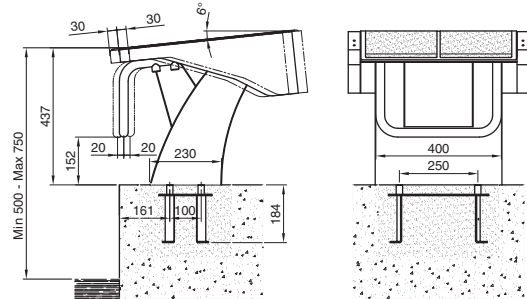
Fixed BCN03 Eco podium without side handles

Code	Standard Packing	Standard Weight	Standard Volume m ³
28761	1	48.8	0.237
28760	1	40.4	0.237

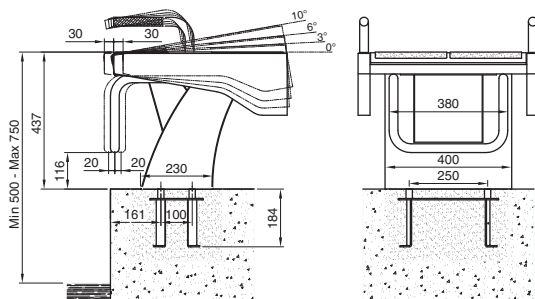
Note: Eco versions are fixed at 6°. Anchoring for competition starting block in AISI-316 54460 not included.



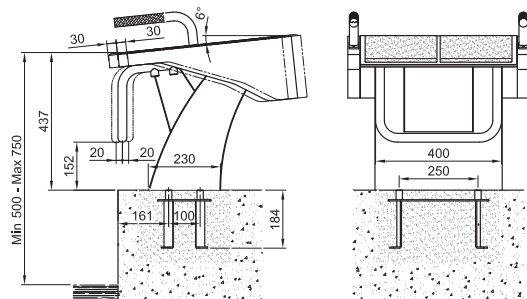
PLANT VIEW
(Codes 28761, 28760 and 32700)



28760



28761



32700

STARTING BLOCKS FOR COMPETITION POOLS



Starting blocks

Base in S.S. AISI-316. Adjustable platform in polyester & fibreglass with non-slip finish 500 mm x 500 mm. Number sequence not included.

POLISHED FINISH:

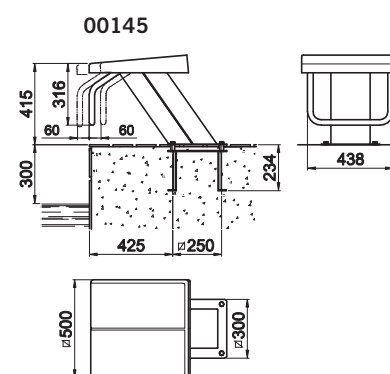
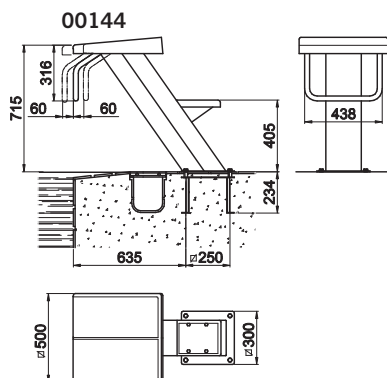
Height 700 mm

Height 400 mm

IN WHITE EPOXY PAINT:

Height 400 mm

Code	Standard Packing	Standard Weight	Standard Volume m ³
00144	1	32.0	0.36
00145	1	25.3	0.18
19957	1	25.3	0.18



Note: Plate anchoring for starting block in AISI-316 54461 not included.



Starting blocks

Made in S.S. AISI-304. Platform in Polyester and fibreglass with non-slip finish 500 mm x 500 mm. Number sequence not included.

POLISHED FINISH:

Height 700 mm

Height 400 mm

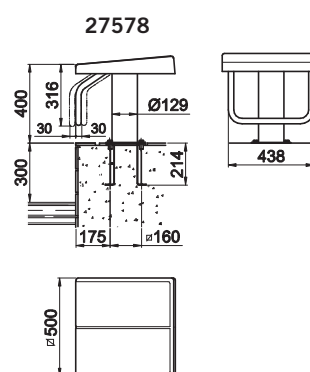
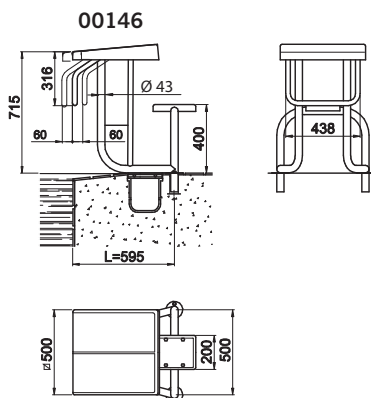
IN WHITE EPOXY PAINT:

Height 700 mm

IN WHITE EPOXY PAINT:

Height 400 mm

Code	Standard Packing	Standard Weight	Standard Volume m ³
00146	1	25.0	0.48
27578	1	18.0	0.11
19958	1	25.0	0.48
27836	1	-	-



Note: The 00146 platform can be manufactured, made to order, for adapting it to overflow level. In this case the distance L must be provided.

Note: Tube anchoring for starting block in AISI-304 54462 not included

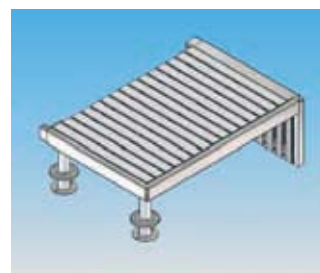
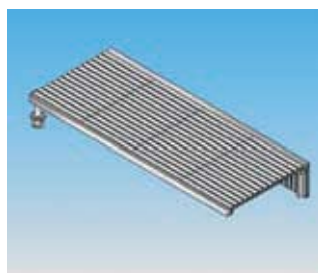
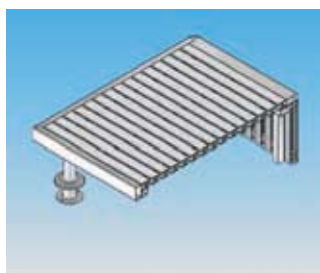
HEADWALLS FOR COMPETITION POOLS



Headwall for podiums

AstralPool has created a headwall that allows starting blocks to be attached. This addition extends our range of products for competition. The item consists of an AISI-304 Stainless Steel structure and plastic grating. The platform can also be used as a turning panel and includes anchors for float lines.

	Code	Standard Packing	Standard Weight	Standard Volume m ³
Headwall, lane width 2 m	34213	1	-	-
Headwall, lane width 2.5 m	34214	1	-	-
Headwall, right corner	34215	1	-	-
Headwall, left corner	34216	1	-	-



Podiums fixing

New

Anchoring for installation the podiums in concret, made in Stainless Steel AISI-304/316, composed by in-ground base, bolts and washers, with connection to the equipotential circuit.

	Code	Standard Packing	Standard Weight	Standard Volume m ³
Competition podium fixing, made in AISI-316	54460	1	2.4	0.02
Fixing for the podium with rectangular feed, made in AISI-316	54461	1	3.5	0.02
Fixing for the podium with tube feed, made in AISI-304	54462	1	2.4	0.02



Starting blocks numbers

4 units of each supplied.



Height 80 mm
 (For podiums 00146-27578-19958-27836)
 For starting blocks from 1 to 6
 For starting blocks from 1 to 10

Height 100 mm
 (For podiums 00144-00145-19956-19957-28760-28761-32700)
 For starting blocks BCN03 from 1 to 6
 For starting blocks BCN03 from 1 to 10

	Code	Standard Packing	Standard Weight	Standard Volume m ³
For starting blocks from 1 to 6	28616	1	-	-
For starting blocks from 1 to 10	28617	1	-	-
For starting blocks BCN03 from 1 to 6	34200	1	0.1	0.001
For starting blocks BCN03 from 1 to 10	34201	1	0.1	0.001

COMPETITION POOL EQUIPMENT

LANE ROPES



BCN03 Lane rope

Developed and patented by AstralPool for the 2003 Swimming World Championships, the BCN03 Lane rope model is a significant technological breakthrough in competition swimming pools as it obtains maximum absorption of the waves created by swimmers, helping the water surface to be as flat as possible.

Biomechanical tests results carried out by the Applied Hydrodynamics Institute (INHA) in July 2003:

- the BCN03 lane ropes reduce waves inside the lanes by 80%. As a result, the wave caused by a swimmer when swimming is practically absorbed, without causing noticeable reflection effects.
- the new floats absorb up to 50% more waves than the conventional ones. Each lane of the swimming pool is least affected by the adjacent lane.

Operation:

Each float has an interior mechanism consisting of 24 turbines distributed on six shafts. The wave of water makes the turbines turn, converting the kinetic energy into mechanical energy, which is then dissipated by friction, thus preventing it from continuing into the next lane. Each turbine can turn freely on its axis and the entire float unit can also rotate around the cable.

Technical features:

The outer shell is manufactured in two technical plastic parts, built to prevent swimmers hurting themselves on colliding with it. The inner parts are made of polythene and polypropylene. Colours available: white, blue, red and green.

The same float unit is available in an Eco version, which has the same shell appearance and the same colours but without the inner turbine mechanism.

The lane ropes are supplied with float units and Stainless Steel 6 mm cable (code 28808) and hook (code 00208).

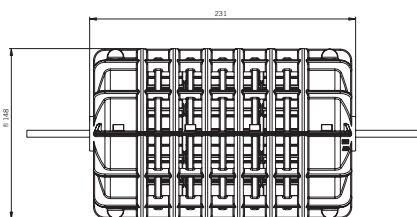
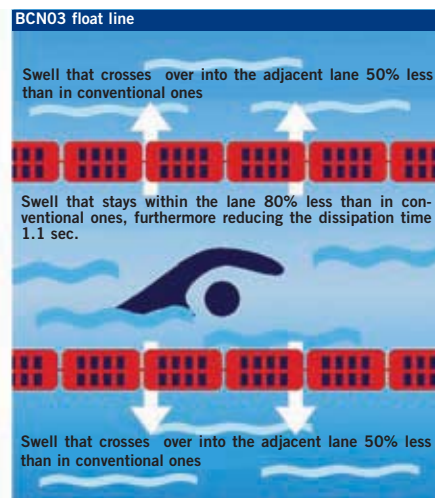
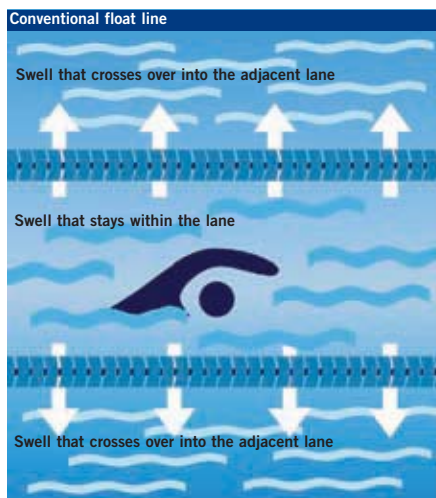
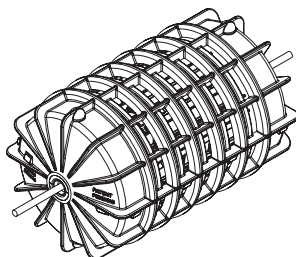
Note: The colour of the lane rope does not correspond to FINA standard colors.



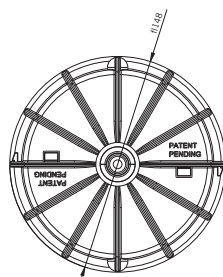
Model Competición



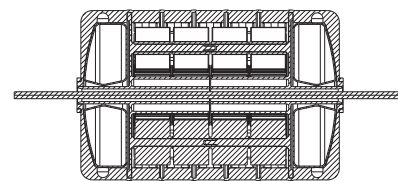
Model Eco



Side view



Front view



Section

The lane ropes are supplied with floats, polyester cord (00210) and hook (00207).



LANE ROPES



BCN03 Competition lane rope model

The lane ropes are supplied with float units, Stainless Steel 6 mm cable (28808) and hook (00207). Floats with inner turbine mechanism.

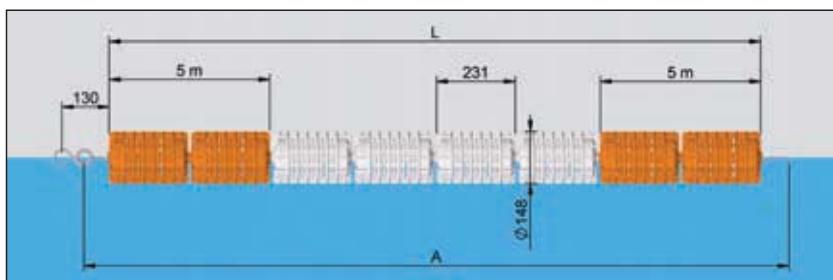
	Code	Standard Packing	Standard Weight	Standard Volume m ³
25 m length	28802	1	-	-
50 m length	28804	1	-	-



BCN03 Eco lane rope model

The lane ropes are supplied with float units, Stainless Steel 6 mm cable (28808) and hook (00207). Floats without inner turbine mechanism.

	Code	Standard Packing	Standard Weight	Standard Volume m ³
25 m length	28803	1	-	-
50 m length	28805	1	-	-



Code	L (m)	A (m) cable	Nr. of blue BCN03 floats	Nr. of red BCN03 floats
28802	25	30	44	64
28804	50	60	44	172
28803	25	30	44	64
28805	50	60	44	172

Other colors in accordance with the rules of the FINA availables.



Sydney model

New

New lane rope model made by Ø 148 mm. Floats in accordance with the rules of the International Swimming Federation (FINA), and the FR 3 swimming pools for the Olympic Games or World Championships regulations. The lane ropes are supplied with floats, Stainless Steel cord of 6 mm (28808) and hook (00207).

	Code	Standard Packing	Standard Weight	Standard Volume m ³
25 m length				
Sydney lane ropes 25M Blue-Red	54475	32	3.20	0.068
Sydney lane ropes 25M Green-Red	54476	32	3.20	0.068
Sydney lane ropes 25M Yellow-Red	54477	32	3.20	0.068
Sydney lane ropes 25M White-Red	54478	32	3.20	0.068
50 m length				
Sydney lane ropes 50M Blue - Red	54479	32	3.20	0.068
Sydney lane ropes 50M Green-Red	54481	32	3.20	0.068
Sydney lane ropes 50M Yellow - Red	54576	32	3.20	0.068
Sydney lane ropes 50M White - Red	54577	32	3.20	0.068

COMPETITION POOL EQUIPMENT

The lane ropes are supplied with floats, polyester cord (00210) and hook (00207).



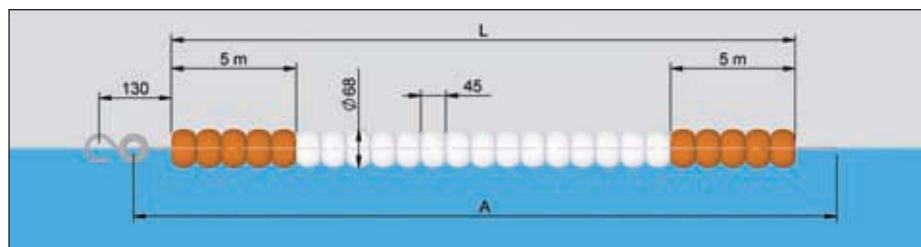
LANE ROPES



Rome model

25 m length
50 m length

Code	Standard Packing	Standard Weight	Standard Volume m ³
00181	1	9.0	0.200
00183	1	16.0	0.620



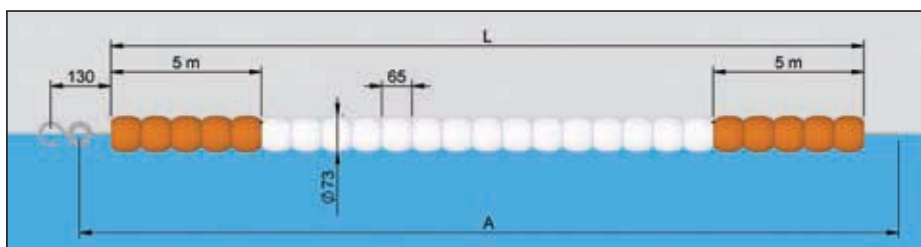
Code	L (m)	A (m) cable	Nr. of orange Rome floats	Nr. of white Rome floats
00181	25	27	232	318
00183	50	52	232	868



92 model

25 m length
50 m length

Code	Standard Packing	Standard Weight	Standard Volume m ³
00184	1	9.0	0.200
00186	1	16.0	0.620



Code	L (m)	A (m) cable	Nr. of orange 92 floats	Nr. of white 92 floats
00184	25	27	152	229
00186	50	52	152	612

The lane ropes are supplied with floats, polyester cord (00210) and hook (00207).



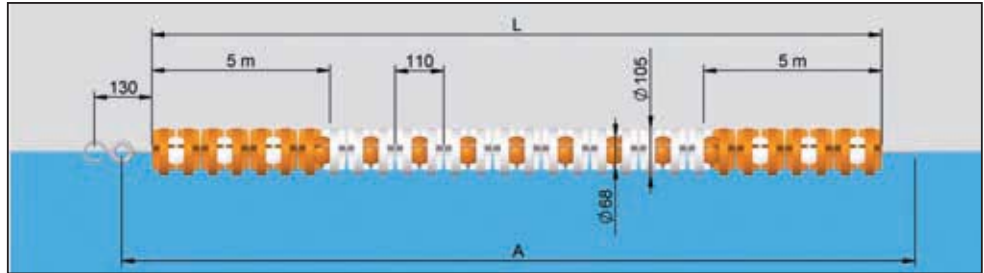
LANE ROPES



Moscow model

25 m length
50 m length

Code	Standard Packing	Standard Weight	Standard Volume m ³
00190	1	9.0	0.200
00192	1	16.0	0.620



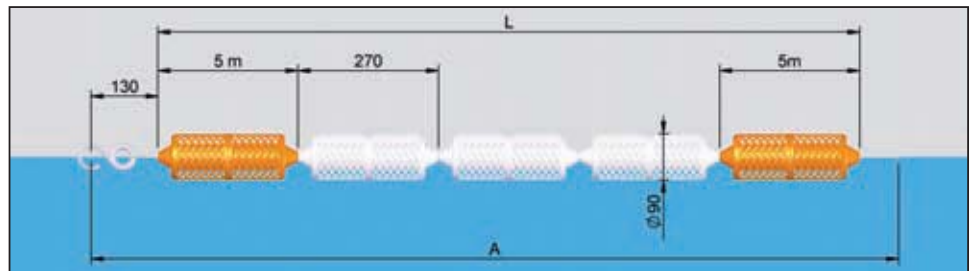
Code	L (m)	A (m) cuerda	Nr. of orange Moscow floats	Nr. of orange Rome floats	Nr. of white Moscow floats	Nr. of white Rome floats
00190	25	27	192	96	286	143
00192	50	52	192	96	756	378



Montreal model

25 m length
50 m length

Code	Standard Packing	Standard Weight	Standard Volume m ³
00193	1	19.0	0.340
00195	1	39.0	0.680



NOTE: It is possible to supply any length, colour combination and rope material under request.

Code	L (m)	A (m) cable	Nr. of orange Montreal floats	Nr. of white Montreal floats
00193	25	27	38	55
00195	50	52	38	149

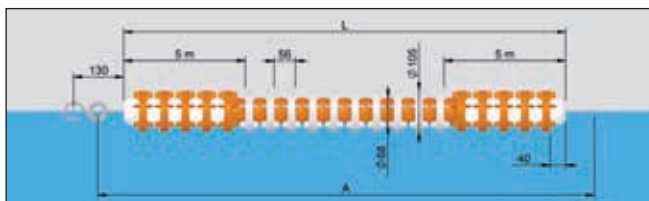
LANE ROPES



Seoul model

25 m length
50 m length

Code	Standard Packing	Standard Weight	Standard Volume m ³
00196	1	28.0	0.340
00198	1	50.0	0.620



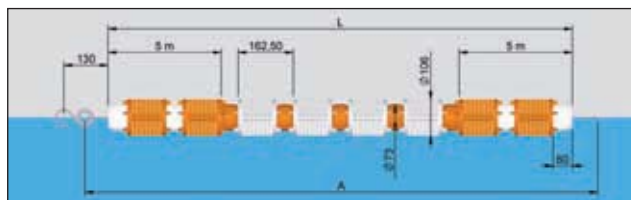
Code	L (m)	A (m) cable	Nr. of orange Seoul floats	Nr. of white Rome floats	Nr. of white Seoul floats	Nr. of orange Rome floats
00196	25	27	178	178	268	269
00198	50	52	178	178	714	715



Barcelona model

25 m length
50 m length

Code	Standard Packing	Standard Weight	Standard Volume m ³
00199	1	40.0	0.340
00201	1	78.0	0.680



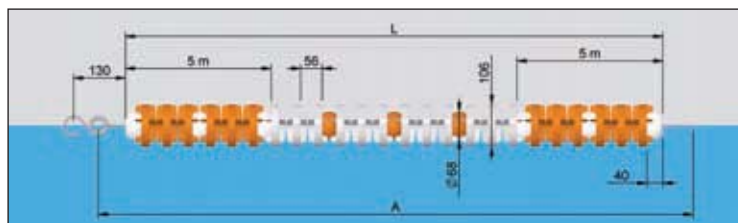
Code	L (m)	A (m) cable	Nr. of orange Barcelona floats	Nr. of white 92 floats	Nr. of white Barcelona floats	Nr. of orange 92 floats
00199	25	27	60	62	91	90
00201	50	52	60	62	242	241



France model

25 m length
50 m length

Code	Standard Packing	Standard Weight	Standard Volume m ³
00202	1	40.0	0.340
00204	1	78.0	0.680



Code	L (m)	A (m) cable	Nr. of orange France floats	Nr. of white Moscow floats	Nr. of orange Rome floats	Nr. of white France floats	Nr. of orange Moscow floats	Nr. of white Rome floats
00202	25	27	62	182	91	92	120	60
00204	50	52	62	486	243	243	120	60

NOTE: It is possible to supply any length, colour combination and rope material under request.

FLOATS



BCN03 model



Supplied with inner turbine mechanism.

	Code	Standard Packing	Standard Weight	Standard Volume m ³
Colour white	28204	-	-	-
green	28425	-	-	-
blue	28423	-	-	-
red	28424	-	-	-



BCN03 Eco model



Supplied without inner turbine mechanism.

	Code	Standard Packing	Standard Weight	Standard Volume m ³
Colour white	28798	-	-	-
green	28801	-	-	-
blue	28799	-	-	-
red	28800	-	-	-



Rome model



	Code	Standard Packing	Standard Weight	Standard Volume m ³
Colour white	00149	500	7.0	0.110
orange	00150	500	7.0	0.110
blue	00151	500	7.0	0.110
red	00152	500	7.0	0.110



92 model



	Code	Standard Packing	Standard Weight	Standard Volume m ³
Colour white	00153	140	3.0	0.070
orange	00154	140	3.0	0.070
blue	00155	140	3.0	0.070
red	00156	140	3.0	0.070



Moscow model



	Code	Standard Packing	Standard Weight	Standard Volume m ³
Colour white	00161	150	7.0	0.070
orange	00162	150	7.0	0.070
blue	00163	150	7.0	0.070
red	00164	150	7.0	0.070

FLOATS



Montreal model



	Code	Standard Packing	Standard Weight	Standard Volume m ³
Colour white	00165	28	7.0	0.070
orange	00166	28	7.0	0.070
blue	00167	28	7.0	0.070
red	00168	28	7.0	0.070



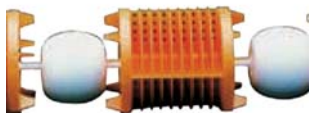
Seoul model



	Code	Standard Packing	Standard Weight	Standard Volume m ³
Colour white	00169	200	8.0	0.070
orange	00170	200	8.0	0.070
blue	00171	200	8.0	0.070
red	00172	200	8.0	0.070



Barcelona model



	Code	Standard Packing	Standard Weight	Standard Volume m ³
Colour white	00173	45	10.0	0.070
orange	00174	45	10.0	0.070
blue	00175	45	10.0	0.070
red	00176	45	10.0	0.070



France model



	Code	Standard Packing	Standard Weight	Standard Volume m ³
Colour white	00177	100	5.5	0.070
orange	00178	100	5.5	0.070
blue	00179	100	5.5	0.070
red	00180	100	5.5	0.070

LANE ROPE STORAGE EQUIPMENT

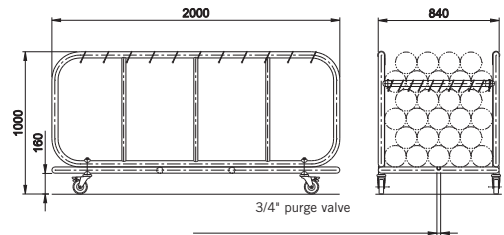


BCN03 Lane rope storage basket



A new trolley designed to transport and store the BCN03 Lane ropes after use in the swimming pool. The BCN03 lane rope storage basket is manufactured of AISI-316 Stainless Steel and includes a PVC bag for collecting excess water from the float lines. Due to the bag's bottom outlets, it is emptied in a controlled manner with no water spillage. The trolley has four castor wheels for maximum mobility. Two of these fitted with brakes. It can store a lane rope up to 50 m long (or 2 of 25) and can be used for all lane rope models.

Code	Standard Packing	Standard Weight	Standard Volume m ³
28623	1	55.0	0.389



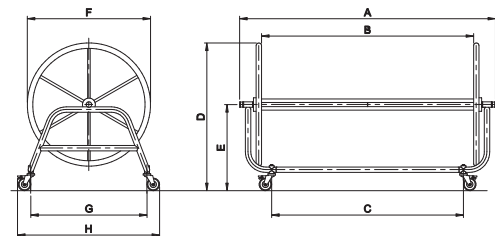
Lane rope roller



Made in Stainless Steel AISI-304, fitted with a large wheel for operation. It is mounted on 4 castor wheels for easy handling. Two of these are fitted with brakes.

Code	Standard Packing	Standard Weight	Standard Volume m ³
27481	1	36.8	0.50
20762	1	46.3	0.54

Width 1.2 m
Width 1.8 m



NUMBER OF LANE ROPE COLLECTED

Model	1.2 m			1.8 m		
	25 m	33 m	50 m	25 m	33 m	50 m
ROME	8	6	4	12	9	6
92	8	6	4	12	9	6
MOSCOW	4	2	2	6	3	3
MONTREAL	4	4	2	6	6	3
SEOUL	4	2	2	6	3	3
BARCELONA	4	4	2	6	6	3
FRANCE	4	4	2	6	6	3

Code	A	B	C	D	E	F	G	H
27481	1484	1135	974	1175	685	980	924	1130
20762	2036	1687	1526					

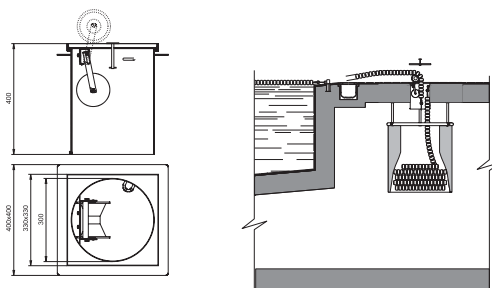


Under deck lane rope storage system



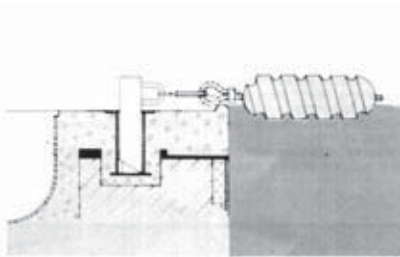
Made of AISI-316, allows the storage of the float lines beneath the deck. The float line box is embedded in the pool surround and holds the retractable reel over which the float line slides into the hole. This unit can be complemented with a lane rope collecting bag if required.

Code	Standard Packing	Standard Weight	Standard Volume m ³
15842	1	12.8	0.08



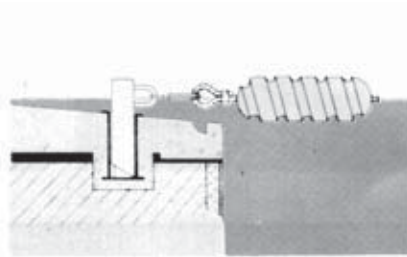
LANE ROPE ACCESSORIES

Zurich/Wiesbaden installation diagram



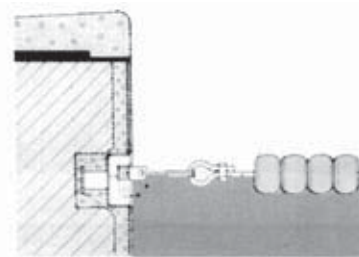
Anchor code 00141
Lane rope support code 00140

Finnish type installation diagram



Anchor code 00142
Lane rope support code 00140

Standard installation diagram



Anchoring cup code 09206
code 09207
code 00205
code 00206



Lane rope anchor



Made in Stainless Steel AISI-316. To use with anchoring fixture 00141 and 00142.

Code	Standard Packing	Standard Weight	Standard Volume m ³
00140	2	0.63	0.003



Concrete anchoring cup with central rod



Made in Stainless Steel AISI-316.

Code	Standard Packing	Standard Weight	Standard Volume m ³
09206	1	0.4	0.001

For concrete pool



Anchoring cup with central rod



Made in Stainless Steel AISI-316.

Code	Standard Packing	Standard Weight	Standard Volume m ³
09207	1	0.5	0.001

For pre-fabricated pools with flange, gasket and screws



Retractable anchoring cup



Made in Stainless Steel AISI-316.

Code	Standard Packing	Standard Weight	Standard Volume m ³
00205	1	0.46	0.001

For concrete pool

LANE ROPE ACCESSORIES



Retractable anchoring cup



Made in Stainless Steel AISI-316.

For prefabricated pools with flange, gaskets and screws

Code	Standard Packing	Standard Weight	Standard Volume m ³
00206	1	0.6	0.001



Lane rope ratchet



Chrome plated brass.

Code	Standard Packing	Standard Weight	Standard Volume m ³
00208	1	0.97	0.002



Lane rope ratchet



Made in Stainless Steel AISI-316.

Code	Standard Packing	Standard Weight	Standard Volume m ³
00209	1	0.2	0.001



Lane rope spring



Made in Stainless Steel AISI-304 with plate to attach cable.

Code	Standard Packing	Standard Weight	Standard Volume m ³
01468	1	0.62	0.002



Lane rope hook



Made in Stainless Steel AISI-304.

Code	Standard Packing	Standard Weight	Standard Volume m ³
00207	100	5	0.01

LANE ROPE ACCESSORIES



Cords and cables

	Code	Standard Packing	Standard Weight	Standard Volume m ³
Polyester Ø 7 mm	00210	110 m	2.0	0.090
Stainless Steel AISI-316 Ø 4 x 6 mm with plastic coating DIN 3055	00211	-	0.1	0.001
BCN03 cable Stainless Steel Ø 6 mm without plastic coating	28808	-	-	-

INDICATORS



False start indicators

Please indicate pool width when placing your order.

Comprises 2 posts in S.S. AISI-316 (one with pulley and quick release cord). Height 1.8 m. Anchoring socket not included.

False start posts:

- Pool width up to 21 m
Ø 43 mm pipe for use with anchoring sockets 00141 and 00142
- Pool width over 21 m
Ø 48 mm pipe for use with anchoring sockets 19960 and 19961

False start floats:

Polyester cord and floats

	Code	Standard Packing	Standard Weight	Standard Volume m ³
	19950	1	5.6	0.01
	19951	1	9.4	0.01
	19954	1	-	-



Backstroke turn indicators

Please indicate pool width when placing your order.

Comprises 4 posts in Stainless Steel AISI-316. Height 1.8 m. Anchoring sockets not included.

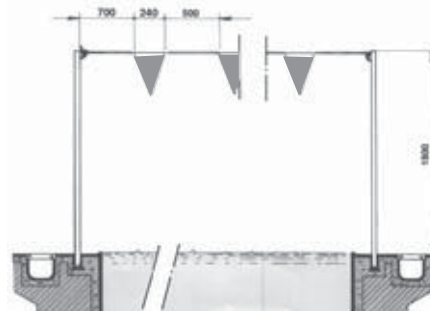
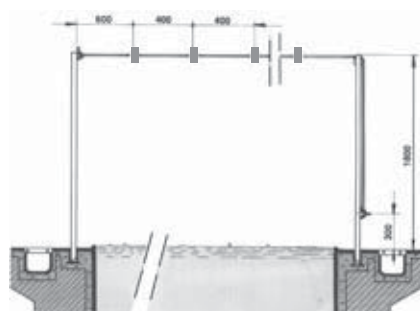
Backstroke turn indicator posts

- Pool width up to 21 m
Ø 43 mm pipe for use with anchoring sockets 00141 and 00142
- Pool width over 21 m
Ø 48 mm pipe for use with anchoring sockets 19960 and 19961

Backstroke turn indicator bunting

2 Polyester cord and bunting

	Code	Standard Packing	Standard Weight	Standard Volume m ³
	19952	1	11.2	0.03
	19953	1	20.0	0.03
	19955	1	-	-



TURNING PANELS



Turning panels

In Stainless Steel AISI-316 with plastic lattice screen. Height 300 mm. Fixing support (00139) is not included.

Lane width 2 m
Lane width 2.5 m

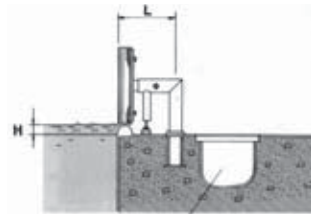
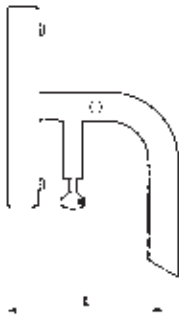
Code	Standard Packing	Standard Weight	Standard Volume m ³
00137	1	13.6	0.040
00138	1	16.5	0.051



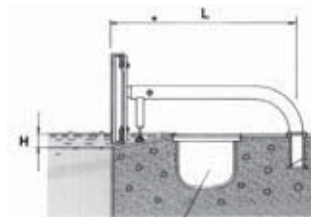
Fixing support for turning panels

In Stainless Steel AISI-316 for use with anchoring sockets 00141 and 00142. Please indicate dimension "H", "L" and type of overflow when ordering.

Code	Standard Packing	Standard Weight	Standard Volume m ³
00139	1	4.0	0.054



ZURICH-WIESBADEN



FINNISH

ANCHORING DETAILS WHEN MEASUREMENT «L» IS LESS THAN 500 mm.



ANCHORING DETAILS WHEN MEASUREMENT «L» IS OVER 500 mm.



ANCHORING SOCKETS



Horizontal flange anchoring sockets



Zurich-Wiesbaden. In S.S. AISI-316.

For pipe Ø 43 mm
For pipe Ø 48 mm

Code	Standard Packing	Standard Weight	Standard Volume m ³
00141	2	1.17	0.002
19960	2	1.3	0.002



Angled flange anchoring socket



Finnish. In S.S. AISI-316.

For pipe Ø 43 mm
For pipe Ø 48 mm

Code	Standard Packing	Standard Weight	Standard Volume m ³
00142	2	1.13	0.002
19961	2	1.26	0.002

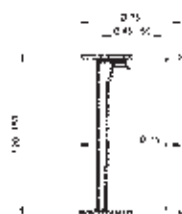


Anchoring socket with locking bolts

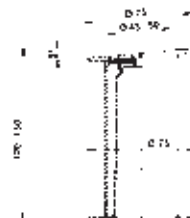


With bolts. In S.S. AISI-316.

Code	Standard Packing	Standard Weight	Standard Volume m ³
00143	2	1.47	0.003



Code 00141
Code 19960



Code 00142
Code 19961



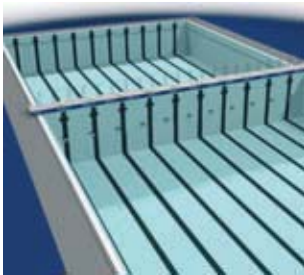
Code 00143

MOVABLE WALL



Movable wall

New



AstralPool has made available the technology that allows a single pool to be divided into two different pools for different uses. With this system, pool space and versatility, and therefore profitability is optimised, resulting in lower installation costs. The AstralPool system is easily adaptable and can be used in both new and existing pools. Recommended for Olympic swimming pools 25 x 50 x 2 metres.

AstralPool has developed a patented movable wall system, based around a modular design which offers one significant advantage above all others; versatility. The partial removal of these modular panels allows the full length of the pool to be used, should that be required.

Made in Stainless Steel AISI-304 and covered with white coloured non-slip sheets.

Technical features:

NET WEIGHT	8000 kg (Pool width 25 m)
MAXIMUM LOAD	200 kg / m ²
MOVEMENT	By S.S. rails embedded on pool sides.
TRACTION	By cables from both pool walls.
OPERATION	By a drum with double wound cable option: Manual operation.
POWER	¾ HP
STRUCTURE	Module of beams and lattice work of S.S. AISI-304.

Manufactured on order. Please, enquire.

Installations pictures: Movable wall in Ashgabat (Turkmenistan)





PVC ACCESSORIES FOR POOLS



- 450 • Pressure fluid handling PVC PN-16 fittings
- 452 • Pressure fluid handling PVC pipes and valves
- 453 • Pressure fluid handling PVC accessories
- 454 • Filter ring manifold for 3/4" laterals
- 454 • Filter ring manifold for 1" laterals
- 455 • Filter diffuser
- 455 • Collector pipe for valve manifold

PRESSURE FLUID HANDLING PVC PN-16 FITTINGS

PVC 90° elbow solvent socket



Ø 50 mm
Ø 63 mm

Code	Standard Packing	Standard Weight Kg	Standard Volume m ³
32588	70	8.67	0.0408
32589	36	7.86	0.0408

PVC 45° elbow solvent socket



Ø 50 mm
Ø 63 mm

Code	Standard Packing	Standard Weight Kg	Standard Volume m ³
32590	40	3.72	0.0204
32591	20	3.56	0.0204

PVC-Tee 90° solvent socket



Ø 50 mm
Ø 63 mm

Code	Standard Packing	Standard Weight Kg	Standard Volume m ³
32592	48	8.95	0.0408
32593	30	9.73	0.0408

PVC union solvent socket



Ø 50 mm
Ø 63 mm

Code	Standard Packing	Standard Weight Kg	Standard Volume m ³
32594	60	4.48	0.0204
32595	35	3.98	0.0204

PRESSURE FLUID HANDLING PVC PN-16 FITTINGS

PVC reducing bush solvent socket



Ø 63 mm x 50 mm

Code	Standard Packing	Standard Weight Kg	Standard Volume m ³
32596	48	3.08	0.0102

PVC adaptor nipple: solvent socket & BSP male thread



Ø 50 mm x 40 mm x 1 1/2"
Ø 63 mm x 50 mm x 2"

Code	Standard Packing	Standard Weight Kg	Standard Volume m ³
32597	24	2.48	0.0102
32598	38	5.84	0.0204

PVC adaptor nipple: female solvent socket & BSP male thread



Ø 50 mm x 1 1/2"
Ø 63 mm x 2"

Code	Standard Packing	Standard Weight Kg	Standard Volume m ³
32599	48	3.27	0.0102
32600	50	5.60	0.0204

PVC 3 piece union solvent socket



Ø 50 mm
Ø 63 mm

Code	Standard Packing	Standard Weight Kg	Standard Volume m ³
32601	30	5.80	0.0204
32602	12	4.44	0.0204

PRESSURE FLUID HANDLING PVC PN-16 FITTINGS

PVC 3 piece union: female solvent socket & BSP male thread



Ø 50 mm x 1 1/2"
Ø 63 mm x 2"

Code	Standard Packing	Standard Weight Kg	Standard Volume m ³
32603	30	6.70	0.0204
32604	12	5.24	0.0204

PRESSURE FLUID HANDLING PVC PIPES AND VALVES

3-way rotay disc valve



3-way control valve in PVC-U with rotary damper for the change of flow. Usable in circuits where the working pressure not exceeding 6 bar (90 psi), with visual indicator of the closed way. Size: D50-63 and D63-75. Available manual operation (with handle) or automatically (with electric actuator). Designed for use in pools and spas, it has a distribution system designed to provide optimal regulation of flow to each output with ease of handling. Manual valve allows 2-ways opened, 3-way opened or partially adjustable open, while electric actuator can turn 90 or 180° and 230 or 24 Vac connection.



	Code	Standard Packing	Standard Weight Kg	Standard Volume m ³
3 ways rotay disc valve D63/75	41862	4	-	0.041
Automatic 220 Vac - D63/75	41864	1	-	0.041
Automatic 24 Vac - D63/75	43730	1	-	0.041
3 ways rotay disc valve D50/63	15765	8	-	0.041
Automatic 220 Vac - D50/63	41863	1	-	0.041
Automatic 24 Vac - D50/63	45866	1	-	0.041

PVC ball valve PN-10



HDPE (polythene) ball seat. EPDM O-rings. "Antiblock" system.

	Code	Standard Packing	Standard Weight Kg	Standard Volume m ³
Ø 50 mm	41941	10	7.61	0.0204
Ø 63 mm	41942	9	11.80	0.0408

PVC pipe PN-10



	Code	Standard Packing	Standard Weight Kg	Standard Volume m ³
Ø 40 mm	02708	-	-	-
Ø 50 mm	02709	100 m	45.0	1.14
Ø 63 mm	02710	100 m	72.0	1.40
Ø 75 mm	02711	-	-	-
Ø 90 mm	02712	-	-	-
Ø 110 mm	02713	-	-	-
Ø 125 mm	02714	-	-	-
Ø 140 mm	02715	-	-	-
Ø 160 mm	02716	-	-	-
Ø 180 mm	02717	-	-	-
Ø 200 mm	02718	-	-	-
Ø 250 mm	02719	-	-	-
Ø 315 mm	02720	-	-	-

PRESSURE FLUID HANDLING PVC ACCESSORIES

Semi-rigid hose



Made of PVC to glue to pressure fittings using PVC adhesive grey colour.

	Code	Standard Packing	Standard Weight Kg	Standard Volume m ³
Ø 16 mm	34587	25 m	3.2	0.030
Ø 16 mm	34586	50 m	6.2	0.040
Ø 20 mm	30754	25 m	4.0	0.040
Ø 20 mm	28570	50 m	9.1	0.060
Ø 25 mm	30755	25 m	6.0	0.050
Ø 25 mm	28571	50 m	11.0	0.042
Ø 32 mm	30756	25 m	9.6	0.070
Ø 32 mm	28572	50 m	16.7	0.065
Ø 40 mm	30757	25 m	12.3	0.110
Ø 40 mm	28573	50 m	23.0	0.109
Ø 50 mm	30758	25 m	18.4	0.150
Ø 50 mm	28574	50 m	37.0	0.178
Ø 63 mm	28575	25 m	49.5	1.140
Ø 75 mm	34588	25 m	33.3	0.300

Cleaner PVC



	Code	Standard Packing	Standard Weight Kg	Standard Volume m ³
0.5 l	02432	15	8.1	0.026
1 l	02431	12	11.0	0.036

Solvent cement PVC



	Code	Standard Packing	Standard Weight Kg	Standard Volume m ³
0.25 l	02429	30	10.0	0.024
0.50 l	02427	15	8.0	0.026
1 l	02426	12	13.0	0.036
0,50 l with paint brush	09043	-	-	-
1 l with paint brush	09044	-	-	-

New

PVC Cleaner



Liquid cleaner specially adequate for cleaning and degreasing pipes, coupling sockets and other PVC rigid fittings before gluing them together, and for removing excess glue.

	Code	Standard Packing	Standard Weight Kg	Standard Volume m ³
Cleaner 500 ml	28827	-	-	-
Cleaner 1000 ml	28828	-	-	-

PVC-Gel - Special for PVC pipe



For large diameter pressure pipes. Slow setting time, the allowing correct positioning of the fittings and perfect cementation. Supplied with brush.

	Code	Standard Packing	Standard Weight Kg	Standard Volume m ³
250 ml	26198	36	11.18	0.02
500 ml	26199	24	13.50	0.02
1000 ml	26200	12	12.90	0.02

FILTER RING MANIFOLD FOR 3/4" LATERALS

Blue Adhesive, extra quick drying for flexible and rigid PVC pipes



Special for pools. For use in pool installations. Its high Gel composition and covering capacity gives perfect cementation. Supplied with brush.

	Code	Standard Packing	Standard Weight Kg	Standard Volume m ³
250 ml	26201	36	11.20	0.02
500 ml	26202	24	13.50	0.02
1000 ml	26203	12	12.90	0.02

8 lateral ring manifold

Made of PVC, inner Ø 50 mm and outer Ø 63 mm.



Code	Standard Packing	Standard Weight Kg	Standard Volume m ³
00624	12	4.0	0.017

12 lateral ring manifold

Made of PVC, inner Ø 63 mm and outer Ø 75 mm.

Code	Standard Packing	Standard Weight Kg	Standard Volume m ³
00625	6	3.0	0.310

3/4" Laterals

0.3 mm slots.



	Code	Standard Packing	Standard Weight Kg	Standard Volume m ³
Length 225 mm	00626	50	2.0	0.017
Length 160 mm	00627	50	2.0	0.017
Length 110 mm	00628	50	2.0	0.008
Length 100 mm (for prolonging)	00629	50	2.0	0.008

Bush coupling

For laterals. In PVC.



Inside threading 3/4"

Code	Standard Packing	Standard Weight Kg	Standard Volume m ³
00630	50	2.0	0.003

FILTER RING MANIFOLD FOR 1" LATERALS

8 laterals ring manifold

Made of PVC, inner: Ø 50 mm and outer: Ø 63 mm.



Code	Standard Packing	Standard Weight Kg	Standard Volume m ³
06433	12	4.0	0.017

FILTER RING MANIFOLD FOR 1" LATERALS

12 lateral ring manifold

Made of PVC, inner: Ø 63 mm and outer: Ø 75 mm.

Code	Standard Packing	Standard Weight Kg	Standard Volume m ³
06434	6	3.0	0.310

1" laterals

0.3 mm slots.



Length 225 mm
 Length 160 mm
 Length 110 mm
 Length 100 mm (extensions)

Code	Standard Packing	Standard Weight Kg	Standard Volume m ³
06435	50	2.0	0.017
06436	50	2.0	0.017
06437	50	2.0	0.008
06438	50	2.0	0.008

Bush coupling



For laterals. In PVC.

Inner threading 1"

Code	Standard Packing	Standard Weight Kg	Standard Volume m ³
06439	-	-	-

FILTER DIFFUSER

For Ø 50 mm Pipe



Code	Standard Packing	Standard Weight Kg	Standard Volume m ³
00645	6	1.0	0.009

For Ø 63 mm Pipe

Code	Standard Packing	Standard Weight Kg	Standard Volume m ³
00646	6	2.0	0.023

COLLECTOR PIPE FOR VALVE MANIFOLD

Collector pipe for valve manifold



Made of PVC. Inlet connections, inner Ø 50 mm and 63 mm. Outlet connections Ø 50 and 63 mm.

Code	Standard Packing	Standard Weight Kg	Standard Volume m ³
31877	1	-	-
34407	1	-	-

Connections Ø 50 mm
 Connections Ø 63 mm



SOFTWARE



- 458 • Project Pool
- 461 • MCS



PROJECT POOL

Project Pool Professional



Project Pool Professional is the most complete programme for pool construction projects. A typical way to use Project Pool Professional is to show your customers their pool project and adapt it instantly according to their wishes.

But you can also use it to completely develop your projects in minutes, including technical and commercial plans, complete filtration equipment reports and estimates for the entire installation, which includes construction materials and all the options that are required.

1. DESIGN YOUR POOL PROJECTS IN MINUTES

Shape library Design complicated shapes in seconds by using configurable shapes. More than 25 shapes to choose from and then all you have to do is fill in your dimensions.

Free-form shapes If your pool is not in the libraries, you can easily draw it by using the high-precision tools. You may add this new form to your user library.

Ladders Easily integrate built-in ladders of any kind or for any pool size.

Coping Automatically generate a crown or grill of any size, colour or texture. You can even create partial grills or edges.

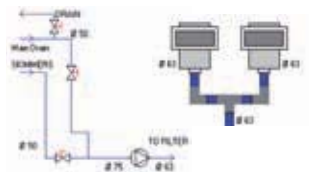
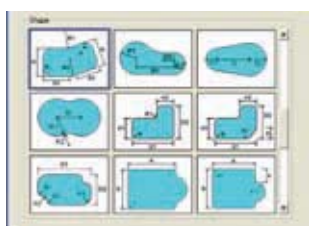
Pool surroundings Complete an attractive design by means of the library of surroundings and garden objects, or with any external images you would like. Or design any object you would like and add it to your user library.

Technical drawing Insert text or measurements (elevations) in the design. You can show the radius and other measurements automatically.

Perimeter, surface, areas, volumes Automatically obtain all the geometric values of the pool, including the wall and bottom surface area.

Attractive commercial drawing Use colour and texture degrading based on images to give the water, grass and rocks a realistic aspect.

Drawing print out Print both types of drawings to scale, from the same project by using the layer-based system. Or export them to image files.



Code	Standard Packing	Standard Weight Kg	Standard Volume m ³
20974	1	-	-

2. CALCULATE THE FILTRATION SYSTEM

Filtration equipment Automatically calculate the complete filtration equipment and distribute it yourself around the pool. You only need to choose the commercial product lines and establish the options that the system requires.

Piping accessories and diagrams Generate a Microsoft Word document with lists of all the piping accessories needed for the installation and the connection diagrams for all the hydraulic circuit elements with pipe diameters.

3. AUTOMATE YOUR QUOTATIONS

Draw up a quotation of all the materials Use the geometric values (perimeter, surface areas, volume, etc.) to calculate the cost of all the materials involved in the project, using internal spreadsheets connected to the design. You can export the estimates to Microsoft Excel.

Generate customized estimates Obtain global Microsoft Word documents of the overall quotation, separated into sections. Each section may contain text (plain or in Word format) and a list of the calculated materials.

Use any commercial product The AstralPool filtration materials are included in the programme data base, with updated prices. Moreover, you can add any commercial product to use it in your calculations.

Code	Standard Packing	Standard Weight Kg	Standard Volume m ³
20974	1	-	-

PROJECT POOL

Project Pool Professional update



If you are already have Project Pool Professional or its previous version, now Project Pool Master can update it to the most recent version which is prepared for the new Windows operating systems and all the new design, calculation and estimate functionalities.

Each Update is delivered with a single programme License and requires a new security key (Hasp). If you wish to use the Update on other PCs in your office, you must acquire an update for each one of the licenses (Hasp keys) you own.

	Code	Standard Packing	Standard Weight Kg	Standard Volume m ³
Project Pool Professional update*	34656	1	-	-

*Only from Project Pool Master 2006 or higher

Additional Project Pool Professional license



Licenses for separate PCs:

Each license comes with a security key (Hasp) which must be connected to the USB port on the computer on which it is installed. An additional license (Hasp) is necessary for each PC or laptop you would like to use to run the programme.

Project Pool Professional is delivered with one PC license. Therefore, if you need to use the programme on other PCs or laptops at the same office, you can acquire as many Additional Licenses as necessary.

Use on a server:

Project Pool Professional can share projects, data and libraries between users by installing it on a server or on a normal PC which is used as the main computer. This way of working optimizes the resources by sharing projects, products, pool libraries and objects and estimates between users.

It must be later installed on all PC's where it is used, thus you need an Additional License (Hasp key) for each user PC, and configure the data Server Route on the computers so that it points to the main server.

	Code	Standard Packing	Standard Weight Kg	Standard Volume m ³
	34655	1	-	-

Project Pool Design



If you just need to quickly and accurately design pool drawings, Project Pool Design is the answer. This application will enable you to design technical and commercial presentation drawings of the pool and its surroundings quickly and accurately, even in front of the customer if you'd like. Project Pool Design incorporates all the design functions of Project Pool Professional, at a lower cost. It does not include filtration calculation and quotation functions.

Project Pool Design licenses:

Project Pool Professional is delivered with use license for a single PC. The license comes with a security key (Hasp) which must be connected to the USB port on the computer on which it is installed.

Project Pool Design does not have an Additional License policy and, therefore, you must acquire as many Project Pool Design applications as work stations or laptops at your office needing to use the programme.

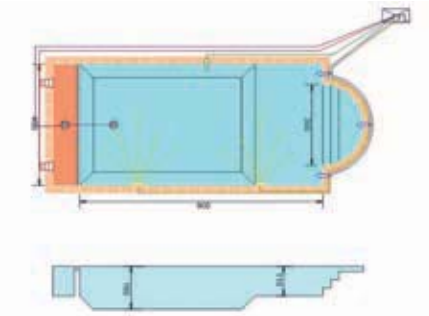
	Code	Standard Packing	Standard Weight Kg	Standard Volume m ³
	34654	1	-	-

PROJECT POOL

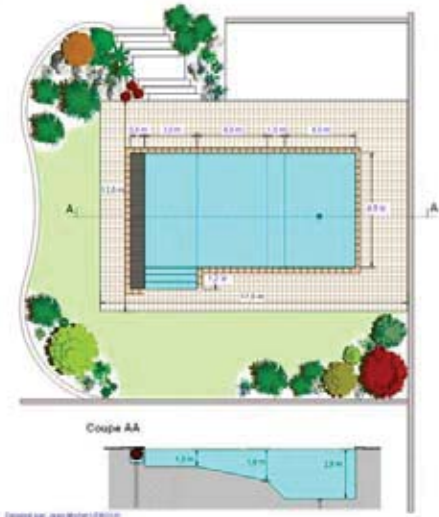
Example technical plans made with Project Pool



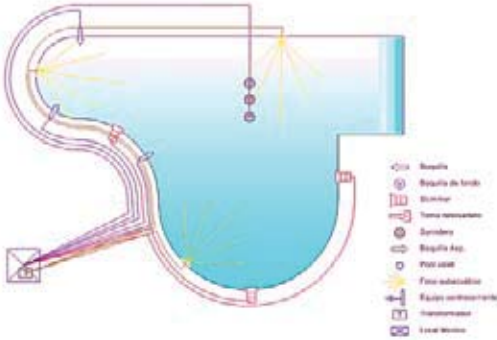
Professional or Design



Professional



Professional or Design



Professional

MCS



Control and management software MCS

MCS control and administration software effectively solves all your control needs in your installation, allowing automatic operation.

The possibility for remote monitoring and checking of installations leads to improvement in the quality of maintenance operations and a reduction in costs.

The MCS system is especially designed for supervising filtration and chemical treatment equipment in one or several swimming pools and can adapt to installations of any size.

Traceability: all problems arising in the environment controlled by MCS are registered in a record file.

Alarm register: it has an alarm register which provides regular information on any problem arising in installations.

Options availables

- Transmission of alarm signals by mobile or fixed line, e-mail and SMS.
- Measuring and control of balance tank levels.
- Control of chemical product levels.
- Control and automatic regulation of the swimming pool's chemical parameters.
- Administration of swimming pool Parameter Reports.

	Code	Standard Packing	Standard Weight Kg	Standard Volume m ³
MCS Basic	28809	1	-	-
Options availables				
Transmission of alarm signals by mobile or fixed line, e-mail and SMS	28810	1	-	-
Measuring and control of balance tank levels	28811	1	-	-
Control of chemical product levels	28812	1	-	-
Control and automatic regulation of the swimming pool's chemical parameters	28813	1	-	-
Administration of swimming pool Parameter Reports	28814	1	-	-





SPAS AND SAUNAS



- 464 • Colour chart for spas
- 465 • Ranges
- 466 • Optional AstralPool finishes
- 467 • Standard AstralPool finishes
- 468 • Residential spas in wood cabinet
- 473 • In-ground residential spas
- 475 • In-ground overflow commercial spas
- 483 • Compact filtration for spas
- 484 • Complements for spas
- 485 • Accessories
- 489 • Accessories for minispas
- 492 • Air blowers
- 493 • Sauna
- 494 • Sauna accessories



We have a wide range of finished units for all kinds of applications; whether to be added to a private home or public facilities such as gyms, hotels or spas.

RESIDENTIAL SPAS IN WOOD CABINET

Spas for PRIVATE USE equipped with massage pumps, a water heater and a control panel. Enables filtration through a cartridge filter and automatic water heating.

With a synthetic or natural wood cabinet, or a metal structure.

IN-GROUND RESIDENTIAL SPAS

Spas for PRIVATE USE, designed to be embedded. Equipped with all the necessary accessories for hydro massage and an adjustable bracket for easy installation. Each model includes a compact filtration unit that adapts to the needs and specifications of the product.

COMMERCIAL SPAS WITH OVERFLOW CHANNEL AND COMPACT UNITS

These Spas are designed for COMMERCIAL USE and are made to be embedded. Equipped with overflow channel and also all the necessary accessories for hydro massage.

Each Spa includes a compact filtration unit that adapts to the specifications of each model.

SPA&FUN

AstralPool presents Spa&Fun in this section – a new kind of residential spa that allows you to enjoy every air bubble. It is a very special zone as well as a source of both health and well-being. We have filled the Spa with sensations: the soft delicacy of the warm water, the magic of bubbles, along with the quality of efficient-jet massage, making our Spas areas of fun for the entire family.



COLOUR CHART FOR SPAS



N° 47 GREEN MARBLE



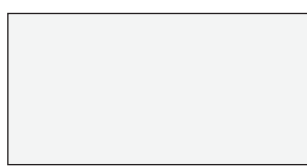
N° 52 NAVY MARBLE



N° 46 BLUE MARBLE



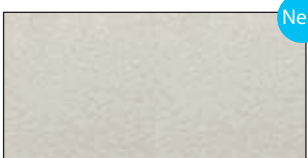
N° 64 PEARL SHADOW



N° 44 WHITE



N° 59 STERLING



N° 72 PEARL CAMEO

New



N° 56 GRANITE BLUE



N° 58 GRANITE SAW

IMPORTANT:

When placing orders, kindly indicate after the code number the numbers for the shell colour.

Example: 38848S1200 CL XX

RANGES

Residential spas with wood cabinet coding

The coding structure for the wood cabinet spas is made up of 10 digits. The first 5 digits refer to the Spa model and the following ones indicate the range, coating and the colour of the accessories as it is also necessary to specify the colour.

This coding system will be structured in the following way:

X X X X X	X	X	X	XX	CL	XX
Spa model	Range	Cabinet versions	Accessories colour	Complements	Variation	Colour

Position from 1 to 5: 5 numbers of standard codification		
Position 6: Product range definition		
	S	Standard
	L	Luxe
Position 7: Cabinet version		
	0	Ipe
	1	Grey
	4	Metallic structure
	E	In-ground Spa, for compact kit version
Position 8: Accessories colour definition		
	0	White
	2	Grey
	3	Chrome-plated
Position from 9 to 10: Options configuration definition		
	00	Aroma + Chrome + Ozone
	03	Aroma + Chrome + Ozone + CD
	05	Aroma + Chrome + Ozone + Isolation
	07	Aroma + Chrome + Ozone + CD + Isolation

New

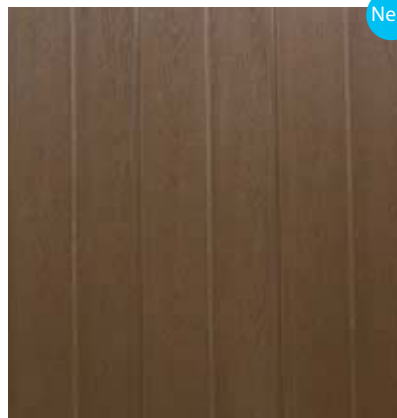
New

Coating types:

Coastal Grey:



Ipe:



New

OPTIONAL ASTRALPOOL FINISHES

EcoSpa thermal insulation



EcoSpa is one of the best thermal insulation systems currently available in the market. This comprehensive system manages to minimise heat loss by convection and conduction, and to use the heat generated by the heater and pumps found in the spa. The walls have an exclusive 30 mm thick layer of polyurethane foam insulation. A strong ABS substructure of insulating plastic at the bottom of the spa ensures total water tightness. Finally, an isothermal cover of between 100 and 130 cm thick gives extra insulation.

All of these features reduce heat loss to a minimum and maximise the recovery of the heat generated by the spa's components, thus reducing energy consumption by up to 51% and making it possible to save over 2,000 kWh a year. Your spa will be kept at 37 °C in outdoor environments with an average temperature of 14 °C.



EcoSpa option

LumiPlus + Bluetooth Audio System, only available for fully skirted portable spas

Natural treatments are one of the main sources of health provided by a spa. Chromotherapy and music therapy are the perfect accompaniment to any hot tub.



Chromotherapy is a natural technique based on the use of colours to help your body and mind find their natural physical, mental and emotional balance. By choosing the **LumiPlus** option, 5 LED spotlights are added to your spa so that you can enjoy a spectacular ambient lighting system. Thanks to the 5 LED spotlights, you can choose the colours that match your mood at any given time.



The new **Bluetooth Audio System** enables music to be played from any mobile phone, MP4 player or audio equipment via a simple Bluetooth connection, without the need for any cables and with coverage of up to 7 metres. It comes with a Bluetooth 3.5 mm audio jack so that you can enjoy up to 7 hours of your choice of fine music with maximum sound quality, thanks to the subwoofer and the four ambient speakers. Now you can truly make your spa a centre of relaxation, health and beauty.

LumiPlus option + Bluetooth Audio System option

Chromotherapy LED spotlight, for public spas only



The **Mini LED spotlight** is the best option for lighting public spas. Thanks to the high intensity LEDs, lighting is similar to that attained with conventional lamps.

The new range of LumiPlus Mini LED 2.0 projectors has a multitude of possible colour combinations and sequences with higher light intensity and better energy efficiency, which result in an 80% saving on electricity consumption compared with conventional projectors, as well as 100,000 hours of useful life time without the need for maintenance.

Chromotherapy LED Spotlight option

STANDARD ASTRALPOOL FINISHES

Balboa Electronics, standard in all spas



AstralPool only uses new generation control systems made by **BALBOA**, a leading supplier of electronic controls for hydromassage tubs and spas.

With the continual improvements made to its designs and its innovative solutions to increase the quality and reliability of its systems, the Balboa EL/GL and VS/GS family of control systems has been designed using patented M7 technology for temperature and flow sensors, and its new universal control system increases the flexibility of its functions and reduces installation and configuration problems.

These characteristics make the controls even more reliable, easier to install and easier to use.

** Note: Balboa electronics are included in all spas except for the Ohara model.*

Ozone, standard in all portable spas



Ozone is "active oxygen", a special element found in nature. Ozone is a powerful oxidising agent and, unlike traditional chemical products, it does not leave toxic waste behind, and when it has done its work it simply turns back into oxygen. Moreover, tests have proved that it effectively kills bacteria and mould.

AstralPool manufactures spas that give high quality performance and it supplies an integrated ozone generator as a standard feature in all of its portable spas. The ozonator has numerous benefits: the water in spas will be safer, cleaner, purer, free of chloramines, trihalomethane and other chlorine by-products, with a high redox potential. Greater water clarity and algae control are obtained using lower concentrations of chemical substances.

A spa with water purified with ozone is one of the most pleasant relaxation and hydrotherapy experiences.

Aroma, only available for portable spas with a blower



Aromatherapy offers the therapeutic properties of pure aromas for a natural treatment and makes a significant contribution in helping to restore your natural state of balance and harmony.

Nobody is indifferent to smells. They bring to mind emotions, memories and ideas. Increase the relaxing effect of your tub by adding a fragrance!

RESIDENTIAL SPAS IN WOOD CABINET



Pacific 30 - Code 38848



PEARL CAMEO COLOUR (72)

Description	Code
Coastal Grey Cabinet grey jet	38848S1200
Coastal Grey Cabinet S.S jet	38848S1300
Ipe Cabinet grey jet	38848S5200
Ipe Cabinet S.S jet	38848S5300
Without Cabinet grey jet	38848S4200
Without Cabinet S.S jet	38848S4300

TECHNICAL FEATURES	Std
Size	216 x 198 x 90 cm (± 1 cm)
Jets + nozzles	21 + 16
Drainage	1
Positions (Seats / Loungers)	6 (5 / 1)
Water capacity	980 l
Empty/Full spa weight	287 Kg / 1,267 Kg
Config. required power	3,415 W / 5,915 W
Massage pump (double velocity)	2 CV (2 kW)
Standard heater power	3 kW
Blower	900 W
Voltage	230 V
Headrests	3
Cover	Yes
Ozonator	Yes
Chromotherapy LED light	Yes
Jet nozzle Colour	Grey
Coating	Synthetic Grey or Ipe
Waterfall	1
Chromotherapy + Aromatherapy	Yes
Metallic structure	Yes
CONFIGURATION OPTIONS	
Spa cabinet thermal insulation	Optional
Stainless steel jets	Optional
Lumiplus + Bluetooth Audio System	Optional

Pacific 50 - Code 41618



PEARL SHADOW COLOUR (64)

Description	Code
Ipe Cabinet	41618L5300
Coastal Grey Cabinet	41618L1300
Without Cabinet	41618L4300

TECHNICAL FEATURES	Std
Size	216 x 198 x 90 cm (± 1cm)
Jets + nozzles	42 + 10
Drainage	1
Positions (Seats / Loungers)	6 (5 / 1)
Water capacity	980 l
Empty/Full spa weight	305 Kg / 1.285 Kg
Config. required power	5.155 W / 8.155 W
Blower	900 W
Filtration pump	240 W
Massage pump	2 x 2 CV (2 kW)
Electric heater	3 kW
Voltage	230 V
Headrests	3
Cover	Yes
Ozonator	Yes
Chromotherapy LED light	Yes
Stainless steel jets	Yes
Aromatherapy	Yes
Cabinet	Synthetic Grey or IPE
Waterfall	2
Metallic structure	Yes
CONFIGURATION OPTIONS	
Spa cabinet thermal insulation	Optional
Lumiplus + Bluetooth Audio System	Optional

RESIDENTIAL SPAS IN WOOD CABINET

Swimspa Mediterranea - Code 41902



WHITE COLOUR (44)



Description	Code
Luxe without Cabinet	41902L4300
Luxe with Coastal Grey Cabinet	41902L1300
Luxe with Ipe Cabinet	41902L5300
Luxe with Coastal Grey Cabinet + Bluetooth audio system	41902L1303
Luxe with Ipe Cabinet + Bluetooth audio system	41902L5303
Luxe without Cabinet for kit with sand filter	41903SE311

TECHNICAL FEATURES	Luxe
Size	500 x 230 x 138 cm (± 2 cm)
Positions (Seats / Loungers)	4 (2 / 1)
Water capacity	8500 l
Empty/Full spa weight	1,177 Kg / 9,677 Kg
Config. required power	230 V. (6200 W / 9200 W)
Jets	25
Jets stream swim	5 x Turbo jets
Waterfall	1
Fountain jets	Yes
Ozonator	Yes
Chromotherapy LED light	Yes
Filtration pump	Yes (0.28 kW)
Massage pump	2 x 3 CV (2.5 kW)
Blower	900 W
Headrests	1
Standard heater power	3 kW
Internal structure	Steel
Cartridge filters	2 x 100 ft ²
Hard Cover	Yes
Cabinet grey synthetic	Optional
Ext. kit Silex filter Ø 500	Optional
Auxiliary panel	Yes
Stainless steel jets	Yes
Stainless steel bars	Yes
CONFIGURATION OPTIONS	
Lumiplus + Bluetooth Audio System	Optional

This spa is available only in 44 and 46 colours.



RESIDENTIAL SPAS IN WOOD CABINET



Atlantida 40 - Code 53860

New



PEARL CAMEO COLOUR (72)

Description	Code
Coastal Grey Cabinet	53860S1300
Ipe Cabinet	53860S5300
Without Cabinet	53860S4300

TECHNICAL FEATURES	
Size	216 x 198 x 90 cm (± 2cm)
Jets + nozzles	16 + 18
Drainage	1
Positions (Seats / Loungers)	5 (3 / 2)
Water capacity	900 l
Empty/Full spa weight	292 Kg / 1,192 Kg
Config. required power	3,255 W / 6,155 W
Massage pump	2 kW
Filtration pump	240 W
Bomba soplante	900 W
Electric heater	3 kW
Voltage	230 V
Headrests	2
Hard Cover	Yes
Ozonator	Yes
Chromotherapy LED light	Yes
Jet nozzle Colour	S.S.
Coating	Synthetic Grey or Ipe
Metallic structure	Yes
Aromatherapy + Chromotherapy	Yes
CONFIGURATION OPTIONS	
Lumiplus + Bluetooth Audio System	Optional
EcoSpa thermal insulation	Optional

Atlantida 50 - Code 53861

New



PEARL CAMEO COLOUR (72)

Description	Code
Coastal Grey Cabinet	53861S1300
Ipe Cabinet	53861S5300
Without Cabinet	53861S4300

TECHNICAL FEATURES	
Size	216 x 198 x 90 cm (± 2cm)
Jets + nozzles	24 + 18
Drainage	1
Positions (Seats / Loungers)	5 (3 / 2)
Water capacity	900 l
Empty/Full spa weight	327 kg / 1,227 kg
Config. required power	5,155 W / 8,155 W
Massage pump	2 + 2 kW
Filtration pump	240 W
Bomba soplante	900 W
Electric heater	3 kW
Voltage	230 V
Headrests	2
Waterfalls	2
Hard Cover	Yes
Ozonator	Yes
Chromotherapy LED light	Yes
Jet nozzle Colour	S.S.
Coating	Synthetic Grey or Ipe
Metallic structure	Yes
Aromatherapy + Chromotherapy	Yes
CONFIGURATION OPTIONS	
Lumiplus + Bluetooth Audio System	Optional
EcoSpa thermal insulation	Optional

RESIDENTIAL SPAS IN WOOD CABINET



New

Ocean 40 - Code 53885



PEARL CAMEO COLOUR (72)



Description	Code
Coastal Grey Cabinet	53885S1300
Ipe Cabinet	53885S5300
Without Cabinet	53885S4300

TECHNICAL FEATURES	
Size	216 x 148 x 90 cm (± 2cm)
Jets	14 + 10
Drainage	1
Positions (Seats / Loungers)	3 (2 / 1)
Water capacity	700 l
Empty/Full spa weight	229 Kg / 929 Kg
Config. required power	3,255 W / 6,155 W
Massage pump	2 kW
Filtration pump	240 W
Bomba Soplante	900 W
Electric heater	3 kW
Voltage	230 V
Headrests	1
Waterfall	2
Hard Cover	Yes
Ozonator	Yes
Chromotherapy LED light	Yes
Jet nozzle Colour	S.S.
Coating	Synthetic Grey or Ipe
Metallic structure	Yes
Aromatherapy + Chromotherapy	Yes
CONFIGURATION OPTIONS	
Lumiplus + Bluetooth Audio System	Optional
EcoSpa thermal insulation	Optional

Evolution - Code 32474



WHITE COLOUR (44)



Description	Code
Coastal Grey Cabinet	32474L1300
Ipe Cabinet	32474L5300
Without Cabinet	32474L4300

TECHNICAL FEATURES	
Size	233 x 233 x 91 cm (± 1cm)
Jets + nozzles	48 + 24
Drainage	1
Positions (Seats / Loungers)	5 (3 / 2)
Water capacity	1610 l
Empty/Full spa weight	384 Kg / 1,994 Kg
Config. required power	(7,458 W / 10,458 W) (+120 W CD)
Massage pump	3 x 2 CV (2 kW)
Bomba Filtracion	240 W
Bomba Soplante	1.200 W
Electric heater	3 kW
Voltage	230 V
Headrests	3
Hard Cover	Yes
Ozonator	Yes
Aromatherapy + Chromotherapy	Yes
Coating	Synthetic Grey or Ipe
Jet nozzle Colour	S.S.
Metallic structure	Yes
CONFIGURATION OPTIONS	
Cedar coating	Optional
EcoSpa thermal insulation	Optional
Lumiplus + Bluetooth Audio System	Optional

RESIDENTIAL SPAS IN WOOD CABINET



Corner - Code 43930



PEARL CAMEO COLOUR (72)

TECHNICAL FEATURES	Std
Size	200 X 166 X 71 (± 1 cm)
Jets + nozzles	22 + 7
Drainage	1
Positions (Seats / Loungers)	2 (1/1)
Water capacity	360 l
Empty/Full spa weight	197 / 557 kg
Config. required power	3,250 W / 5,650 W
Massage pump	2 CV (2 kW)
Filtration pump	240 W
Blower	400 W
Electric heater	3 kW
Voltage	230 V
Headrests	2
Hard Cover	Yes
Ozonator	Yes
Chromotherapy LED light	Yes
Aromatherapy	Yes
Jet nozzle Colour	S.S.
Coating	Synthetic Grey or Ipe
Metallic structure	Yes
CONFIGURATION OPTIONS	
Spa cabinet thermal insulation	Optional

Description	Code
Coastal Grey Cabinet	43930S1300
Ipe Cabinet	43930S5300
Without Cabinet	43930S4300

Ohara - Code 42587 New



TECHNICAL FEATURES	
Size	199 x 199 x 80 cm
Jets + nozzles	38
Desagüe	1
Positions (Seats / Loungers)	6 (5 / 1)
Water capacity	1100 l
Empty/Full spa weight	292 Kg / 1392 Kg
Config. required power	4.268 W / 6.043 W
Filtration pump	375 W
Massage pump	3 CV
Bomba Soplante	400 W
Electric heater	3 kW
Voltage	230 V
Headrests	3
Hard Cover	Yes
Ozonator	Yes
Chromotherapy LED light	Yes
Aromatherapy	Yes
Jet nozzle Colour	Grey
Coating	Synthetic Grey

Description	Code
Coastal Grey Cabinet + Grey jets	42587S1200

IN-GROUND RESIDENTIAL SPAS

Thalassa - Code 40768

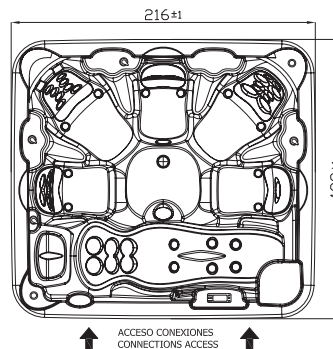


WHITE COLOUR (44)



TECHNICAL FEATURES	Std
Size	216 x 198 x 90 cm (± 2 cm)
Jets + nozzles	21 + 16
Drainage	1
Electronic control panel	Yes
Positions (Seats / Loungers)	6 (5 / 1)
Water capacity	980 l
Empty/Full spa weight	198 Kg / 1,178 Kg
Headrests	3
Hard Cover	Optional
Chromotherapy LED light	Yes
Jet nozzle Colour	Grey
Aromatherapy	Yes
Waterfall	1
Metallic structure	Yes

This spa must be acquired with the Digital Compact 41993.



Description	Code
Light + Electronic control panel	40768SE210
Light + Electronic control panel + Hard Cover	40768SE211

* The spa cover and the balance tank are sold separately. Please, consult "Complements for spas" section.

Baltic 40 - Code 54438

New

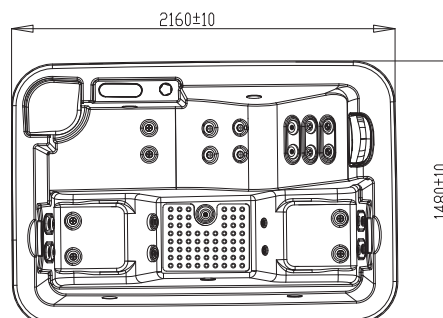


PEARL CAMEO COLOUR (72)



TECHNICAL FEATURES	Std
Size	216 x 148 (± 2 cm)
Jets + nozzles	14 + 10
Drainage	1
Electronic control panel	Yes
Positions (Seats / Loungers)	3 (2 / 1)
Water capacity	700 l
Empty/Full spa weight	139 Kg / 839 Kg
Headrests	1
Hard Cover	Optional
Chromotherapy LED light	Yes
Jet nozzle Colour	Grey
Aromatherapy + Chromotherapy	Yes
Waterfall	2
Metallic structure	Yes

This spa must be acquired with the Digital Compact 41993.



Description	Code
Standard + Light + Electronic control panel	54438SE210
Standard + Light + Electronic control panel + Hard Cover	54438SE211

* The spa cover and the balance tank are sold separately. Please, consult "Complements for spas" section.

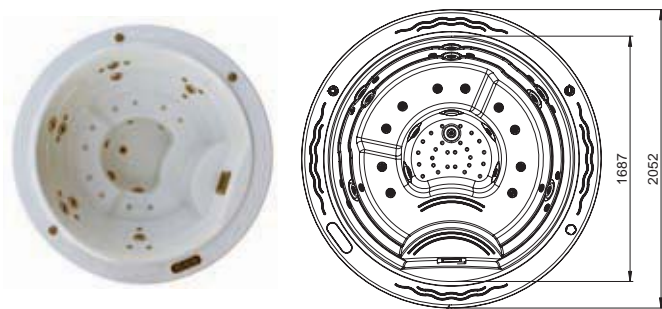
IN-GROUND RESIDENTIAL SPAS



Ronda 30 - Code 49859 New



PEARL CAMEO COLOUR (72)



TECHNICAL FEATURES	Std
Size	Ø 205 (± 2 cm)
Jets + nozzles	20 + 10
Desagüe	1
Electronic control panel	Yes
Positions (Seats / Loungers)	5 (5 / 0)
Water capacity	680 l
Empty/Full spa weight	132 kg - 812 kg
Chromotherapy LED light	Yes
Jet nozzle Colour	Grey
Aromatherapy + Chromotherapy	Yes
Metallic structure	Yes
Hard Cover	Optional

This spa must be acquired with the Digital Compact 41993.

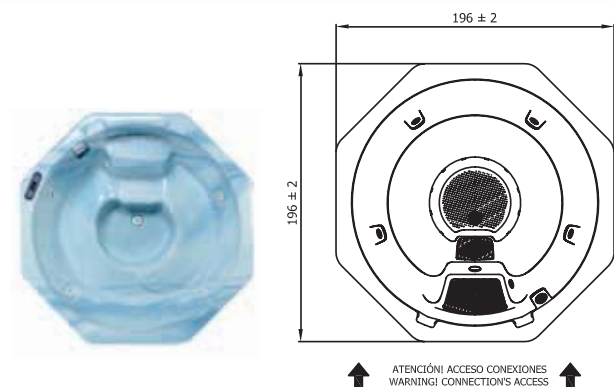
Description	Code
Standard + Light + Electronic control panel	49859SE210
Standard + Light + Electronic control panel + Hard cover	49859SE211

Fully fitted with skimmer, drain, hoses, nozzles, blowers, control buttons and Venturi. With adjustable bracket for easy installation.

Inca - Code 04005



WHITE COLOUR (44)



TECHNICAL FEATURES	Std
Size	196 x 196 x 102/105 (± 2 cm)
Jets + nozzles	4 + 10
Sumidero	1
Pneumatic switches	2
Positions (Seats / Loungers)	6 (6 / 0)
Water capacity	815 l
Empty/Full spa weight	160 Kg / 975 Kg
Light	Yes
Metallic structure	Yes

Description	Code
Standard + Light + Electronic control panel	04005SE010
Standard + Light ++ Electronic control panel + Hard cover	04005SE011

This spa must be acquired with the Digital Compact 41993.

* The spa cover and the balance tank are sold separately. Please, consult "Complements for spas" section.

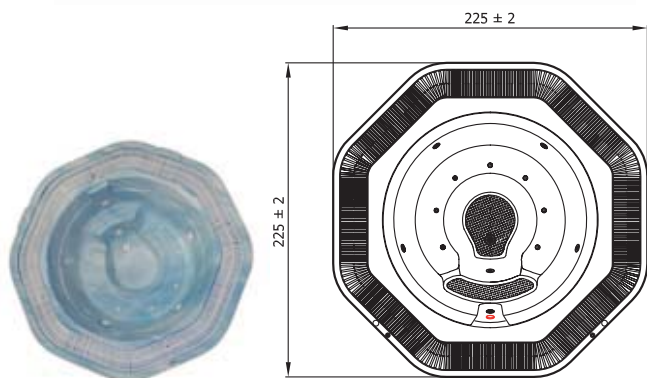
Fully fitted with skimmer, drain, hoses, nozzles, blowers, control buttons and Venturi. With adjustable bracket for easy installation.

IN-GROUND OVERFLOW COMMERCIAL SPAS

Casiopea - Code 04007



BLUE MARBLE COLOUR (46)



↑ ATENCIÓN! ACCESO CONEXIONES
WARNING! CONNECTION'S ACCESS ↑

TECHNICAL FEATURES	
Size	225 x 225 x 94/97 (± 2 cm)
Jets + nozzles	4 + 7
Water capacity	782 l
Empty/Full spa weight	143 Kg / 925 Kg
Positions (Seats / Loungers)	4 (4 / 0)
Packaging volume	6.38 m ³
Main drains	2
Chromotherapy LED Light	Yes
Piezoelectric switches	2
Metallic structure	Yes

Description	Code
Standard + Light	04007SE001
Standard + Light + Cover	04007SE006

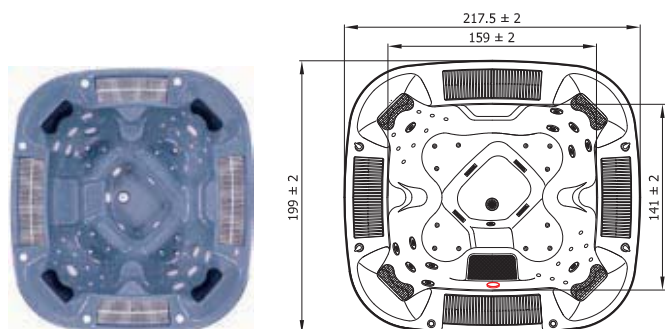
* The spa cover and the balance tank are sold separately. Please, consult "Complements for spas" section.

Supplied with grating, drain, nozzles, blower & filter nozzles. Balance tank not included

Formentera - Code 16413



BLUE GRANITE COLOUR (56)



↑ ATENCIÓN! ACCESO CONEXIONES
WARNING! CONNECTION'S ACCESS ↑

TECHNICAL FEATURES	
Size	217,5 x 199 x 120/123 (± 2 cm)
Jets + nozzles	12 + 28
Water capacity	959 l
Empty/Full spa weight	250 Kg / 1,209 Kg
Positions (Seats / Loungers)	4 (4 / 0)
Packaging volume	7.40 m ³
Main drains	5
Chromotherapy LED Light	Yes
Piezoelectric switches	2
Metallic structure	Yes

Description	Code
Standard + Light	16413SE001
Standard + Light + Cover	16413SE006

* The spa cover and the balance tank are sold separately. Please, consult "Complements for spas" section.

Supplied with grating, drain, nozzles, blower & filter nozzles. Balance tank not included

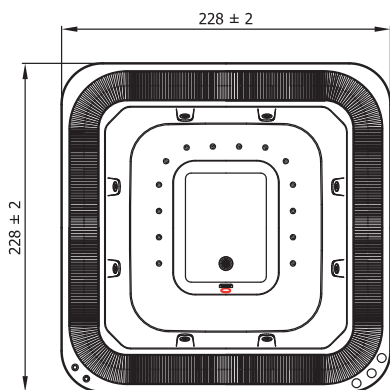
IN-GROUND OVERFLOW COMMERCIAL SPAS



Venecia - Code 05134



NAVY MARBLE COLOUR (52)



↑ ATENCIÓN! ACCESO CONEXIONES
WARNING! CONNECTION'S ACCESS ↑



TECHNICAL FEATURES	
Size	228 x 228 x 100/103 (± 2 cm)
Jets + nozzles	6 + 14
Water capacity	1200 l
Empty/Full spa weight	147 Kg / 1,347 Kg
Positions (Seats / Loungers)	7 (7 / 0)
Packaging volume	7.23 m ³
Main drains	2
Light	Yes
Piezoelectric switches	2
Metallic structure	Yes
Chromotherapy LED Light	Optional

Description	Code
Standard + Light	05134SE001
Standard + Light + Cover	05134SE006

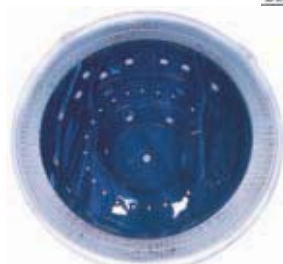
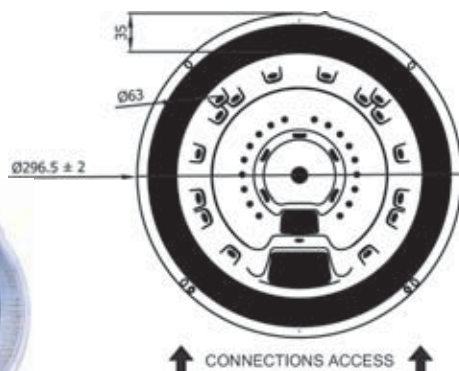
* The spa cover and the balance tank are sold separately. Please, consult "Complements for spas" section.

Supplied with grating, drain, nozzles, blower & filter nozzles. Balance tank not included

Coliseum - Code 20141



NAVY MARBLE COLOUR (52)



TECHNICAL FEATURES	
Size	296.5 x 296.5 x 109/112 (± 2 cm)
Jets + nozzles	16 + 18
Water capacity	1944 l
Empty/Full spa weight	224 Kg - 2,168 Kg
Positions (Seats / Loungers)	10 (10 / 0)
Packaging volume	18.24 m ³
Main drains	5
Light	Yes
Piezoelectric switches	2
Metallic structure	Yes
Chromotherapy LED Light	Optional

Description	Code
Standard + Light	20141SE001
Standard + Light + Cover	20141SE006

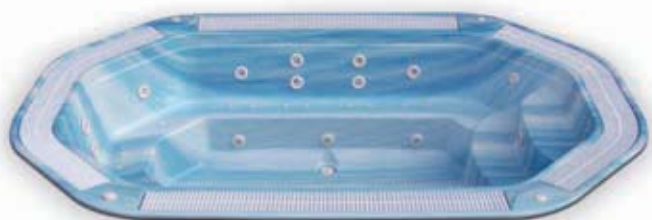
* The spa cover and the balance tank are sold separately. Please, consult "Complements for spas" section.

Supplied with grating, drain, nozzles, blower & filter nozzles. Balance tank not included

IN-GROUND OVERFLOW COMMERCIAL SPAS

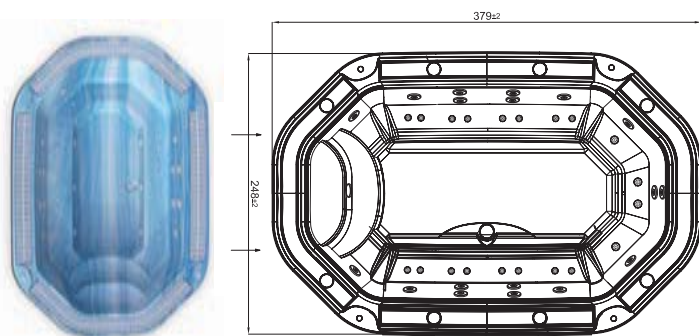


Olympia - Code 26440



MARBLE BLUE COLOUR (46)

This spa is only available in colours 44 and 46.



TECHNICAL FEATURES	Std
Size	379 x 248 x 95/98 (± 2 cm)
Jets	16 + 20
Positions (Seats / Loungers)	12 (12 / 0)
Water capacity	2490 l
Empty/Full spa weight	373 Kg / 2.863 Kg
Packaging volume	18.12 m ³
Main drains	7
Light	Yes
Piezoelectric switches	2
Metallic structure	Yes
Chromotherapy LED Light	Optional

Description	Code
Standard + Light	26440SE001
Standard + Light + Cover	26440SE006

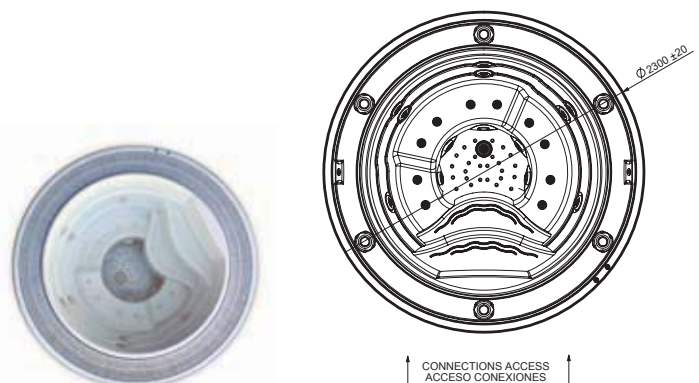
* The spa cover and the balance tank are sold separately. Please, consult "Complements for spas" section.

Supplied with grating, drain, nozzles, blower & filter nozzles. Balance tank not included

Odisea 20 - Code 45709



WHITE COLOUR (44)



TECHNICAL FEATURES	
Size	Ø230 x 107 / 110 (±2cm)
Jets + nozzles	8 + 10
Water capacity	1.120 l
Empty/Full spa weight	156 Kg / 1.276 Kg
Positions (Seats / Loungers)	5 (5 / 0)
Packaging volume	8,06 m ³
Main drains	3
Light	Yes
Piezoelectric switches	2
Metallic structure	Yes
Chromotherapy LED Light	Optional

Description	Code
Standard + Light	45709SP001
Standard + Light + Cover	45709SP006

* The spa cover and the balance tank are sold separately. Please, consult "Complements for spas" section.

Supplied with grating, drain, nozzles, blower & filter nozzles. Balance tank not included

IN-GROUND OVERFLOW COMMERCIAL SPAS

Odisea Infinity - Code 45214

New



WHITE COLOUR (44)



Description	Code
Standard + Light	45214SP015
Standard + Light + Hard cover	45214SP016

Supplied with Solid Surface grating drain, nozzles, blower & filter nozzles. Balance tank not included

TECHNICAL FEATURES	
Size	Ø230 (±2cm)
Jets + nozzles	26 + 10
Water capacity	1.120 l
Empty/Full spa weight	178 Kg / 1.298 Kg
Positions (Seats / Loungers)	5 (5 / 0)
Packaging volume	7,2 m ³
Main drains	-
Light	Yes
Piezoelectric switches	2
Metallic structure	Yes
Chromotherapy LED light	Yes



IN-GROUND OVERFLOW COMMERCIAL SPAS

Wellmax - Code 43638



WHITE COLOUR (44)

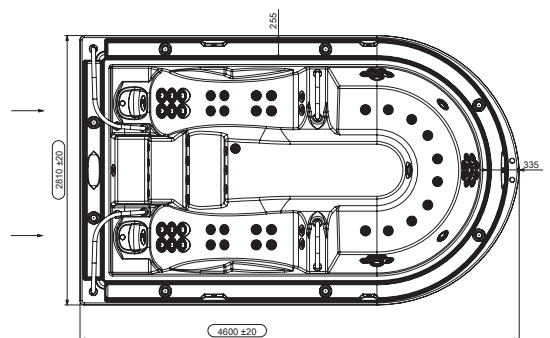
TECHNICAL FEATURES	Std
Size	460 x 281 x 114/117 (±2 cm)
Jets + nozzles	53 + 10
Water capacity	2,940 l
Empty/Full spa weight	553 kg / 3,493 kg
Positions (Seats / Loungers)	7 (5 / 2)
Packaging volume	25.9 m³
Main drains	7
Light	High intensity Led colours
Piezoelectric switches	4
Jet nozzle Colours	S.S.
Headrests	2
S.S. handrails	4
Metallic structure	Yes

Available Colours: White / Marble blue

Description	Code
Spa Wellmax S.S. Jet + High intensity Led colours + S.S. handrails	43638SP315

Supplied with grating, drain, nozzles, blower & filter nozzles. Balance tank not included

* The spa cover and the balance tank are sold separately. Please, consult "Complements for spas" section.



IN-GROUND OVERFLOW COMMERCIAL SPAS



Tokyo 50 DIN - Code 53989

New



WHITE COLOUR (44)

TECHNICAL FEATURES	Std
Size	340 x 240
Jets + nozzles	36 + 17
Main drains	1
Piezoelectric switches	3
Positions (Seats / Loungers)	5 (4/1)
Water capacity	2,200 l
Empty/Full spa weight	373 / 2,573 kg
Headrests	2
Hard Cover	Optional
Waterfall	Optional
LED light	4
Jet nozzle Colours	S.S.
Metallic structure	Yes

Available Colours: White / Marble blue

Description	Code
Tokyo 50 DIN + Light	53989SE315
Tokyo 50 DIN + Light + Hard Cover	53989SE316
Tokyo 50 DIN Plus + Light + Waterfall	53992SE315
Tokyo 50 DIN Plus + Light + Waterfall + Hard Cover	53992SE316

Supplied with grating, drain, nozzles, blower & filter nozzles. Balance tank not included.

Tokyo 70 - Code 53990

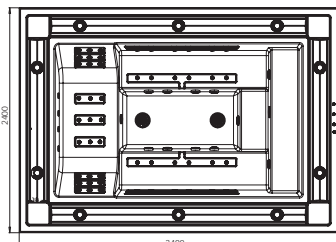
New



WHITE COLOUR (44)

TECHNICAL FEATURES	Std
Size	340 x 240
Jets + nozzles	58 + 21
Main drains	1
Piezoelectric switches	3
Positions (Seats / Loungers)	7 (6/1)
Water capacity	2,200 l
Empty/Full spa weight	373 / 2,573 kg
Headrests	2
Hard Cover	Optional
Waterfall	Optional
LED light	4
Jet nozzle Colours	S.S.
Metallic structure	Yes

Available Colours: White / Marble blue



Description	Code
Tokyo 70 + Light	53990SE315
Tokyo 70 + Light + Hard Cover	53990SE316
Tokyo 70 Plus + Light + Waterfall	53993SE315
Tokyo 70 Plus + Light + Waterfall + Hard Cover	53993SE316



Supplied with grating, drain, nozzles, blower & filter nozzles. Balance tank not included.

IN-GROUND OVERFLOW COMMERCIAL SPAS



Mirage 40 - Code 44630



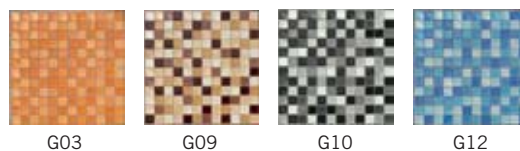
G12 COLOUR

TECHNICAL FEATURES	Std
Size	Ø 250 x 101/104 (±2 cm)
Jets + nozzles	26+12
Water capacity	1.410 l
Empty/Full spa weight	353 / 1.763 kg
Positions (Seats / Loungers)	6 (6/0)
Packaging volume	14 m ³
Main drains	5
Light	High intensity Led colours
Piezoelectric switches	2
Jet nozzle Colours	White
Metallic structure	Yes

Description	Code
Spa Mirage 40 + Chromotherapy	44630SP015
Spa Mirage 40 + Chromotherapy + Cover	44630SP016

* The spa cover and the balance tank are sold separately. Please, consult "Complements for spas" section.

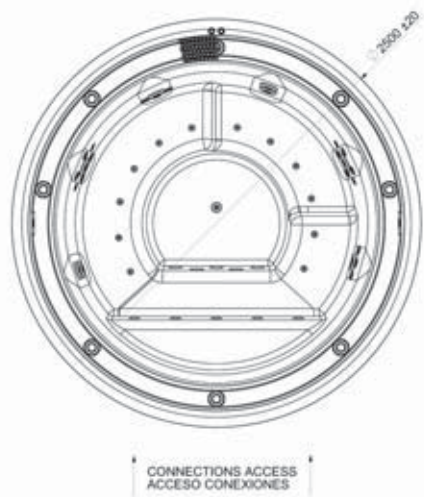
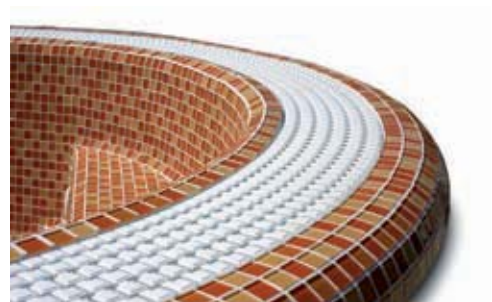
Available Colours:



Supplied with grating, drain, nozzles, blower & filter nozzles. Balance tank not included



G03 COLOUR



RESIDENTIAL COMPACT UNIT

Compact kit for Thalassa, Baltic, Inca and Ronda 30

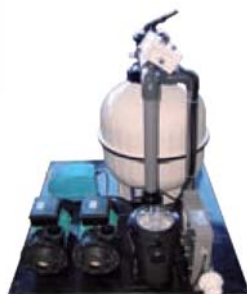


Code	Ozone generator	Digital operating panel	Compact unit weight	Packaging volume	Maximum Spa Volume	Massage pump
41993CE000		•	60 kg	2.05 m ³	1000 l	2 kW
41993CE001	•	•				

Code	Filter (mm)	Filtration pump	Blower	Electric heater	Voltage	Total power requirements	Lenght x Width x Height
41993	500	0.6 kW 7000 l/h	0.90 kW	2 kW	230 V	3.53 kW*	115 x 75 x 105 mm

* Consumption in Low Amp.

Compact kit for Swimspa Mediterranea



Code	Ozone generator	Digital operating panel	Compact unit weight	Packaging volume	Maximum Spa Volume	Massage pump	Bomba de masaje
41849CE009	•	•	•	70 kg	2.05 m ³	8500 l	2 x 2.5 kW

Code	Filter (mm)	Filtration pump	Blower	Electric heater	Voltage	Total power requirements	Lenght x Width x Height
41849	500	0.6 kW 7000 l/h	0.90 kW	3 kW	230 V	6.51 kW*	114 x 100 x 112 mm

* Consumption in Low Amp.

COMPACT FILTRATION FOR SPAS
Compact filtration unit for commercial spas


16412



04015

Preassembled unit for filtration, heating and massage.
All kids include the electronic control box controlled by piezoelectric press buttons.

	04015CE000	04015CE001	New 04015CE002	New 04015CE004	05135CE000	05135CE001	New 05135CE002	New 05135CE004	16412CE000	16412CE001	New 16412CE002	New 16412CE004	43639CE001	New 43639CE002	New 43639CE004	53995CE000	New 53995CE002	New 53995CE004		
Spa Model	Casiopea, Odisea 20, Venecia				Casiopea, Odisea 20, Venecia				Formentera, Coliseum, Olympia, Mirage 40				Wellmax, Tokyo 50, Tokyo 70			Tokyo 50 (DIN version)				
Compact unit weight (with packaging)	109 kg				140 kg				104 kg				150 kg			150 kg				
Filter weight (with packaging)	Filter not supplied				53 kg				53 kg				53 kg			Filter not supplied				
Compact kit Packaging volume	0,86 m ³				2.08 m ³				0.86 m ³				1.50 m ³			1.50 m ³				
Filter Packaging volume	-				0.83 m ³				0.83 m ³				0.83 m ³			-				
Filter Ø	-				Ø 600 mm				Ø 600 mm				Ø 600 mm			-				
Filtration pump	0.60 kW				0.82 kW				0.82 kW				0.82 kW			2.70 kW				
Filtr. pump flow rate	7,000 l/h				11,000 l/h				11,000 l/h				11,000 l/h			34,000 l/h				
Massage pump	1.40 kW				1.40 kW				2 x 1.81 kW				2 x 1.81kW + 1 x 2.70kW			2 x 1.81kW				
Blower	1.3 kW				1.3 kW				1.3 kW				1.3 kW			1.3 kW				
Electric heater	6 kW				6 kW				6 kW				6 kW			6 kW				
Voltage	400 AC III + N				400 AC III + N				400 AC III + N				400 AC III + N			400 AC III + N				
Total power requirements	9,362 W (18,1 A)		3,350W (5.6 A)		9,582 W (19,2 A)		3,570W (6 A)		11,802 W (23 A)		5,790W (9.7 A)		14,485 W (27.5 A)		8,473W (14.2 A)		13,320 W (23 A)		7,653W (12.9 A)	
Kit dimensions without packaging Length x Width x Height	1160 x 1000 x 1200 mm				1160 x 1000 x 1200 mm				1160 x 1000 x 1200 mm				1160 x 1000 x 1200 mm			1160 x 1000 x 1200 mm				
Ozone generator		•				•				•				•						
Autom. dosifier + pH and chlorine control			•				•				•				•				•	
Water-water heat exchanger 20 kW				•				•				•								•

We reserve the right to change, wholly or partially, the features of our products and the contents of this document, without prior notice.

COMPLEMENTS FOR SPAS



Covers for spas

	Code	Standard Packaging	Standard Weight Kg	Standard Volume m ³
Spa THALASSA Cover	17139	1	17	0.40
New Spa BALTIC 40 / OCEAN 40 Cover	42345	1	16	0.36
New Spa RONDA 30 Cover	51288	1	15	0.27
Spa INCA Cover	23193	1	17	0.40
New Spa ODISEA 20 / INFINITY Cover	45721	1	20	0.25
Spa CASIOPEA Cover	23195	1	15	0.25
Spa FORMENTERA Cover	28297	1	17	0.58
Spa VENEZIA Cover	23198	1	16	0.32
Spa COLISEUM Cover	28298	1	18	0.86
Spa OLYMPIA Cover	43817	1	15	0.44
Spa MIRAGE Cover	41892	1	15	0.44
Spa WELLMAX Cover	43729	1	15	0.35
New Spa TOKYO Cover	54184	1	-	-



Cover Stand

Metal Stand for simple handling of the cover

Code	Standard Packaging	Standard Weight Kg	Standard Volume m ³
28462	1	10	0.118



Spa access steps

Natural wood cedar steps
 Synthetic wood staircase in coastal grey
 IPE wood

Code	Standard Packaging	Standard Weight Kg	Standard Volume m ³
42002CL00	1	15	0.09
42002CL01	1	15	0.09
42002CL05	1	15	0.09



COMPLEMENTS FOR SPAS

Polyester balance tank



Used for collecting water volume displaced in overflow channel of commercial spas.

	Code	Standard Packaging	Standard Weight Kg	Standard Volume m ³
1000 litres capacity (162x122x83 cm)	11372	1	10.0	1.75
2000 litres capacity (204x160x75 cm)	27865	1	15.0	3.81

PE balance tank



1000 litres capacity. Used for collecting water volume displaced in overflow channel of commercial spas.

	Code	Standard Packaging	Standard Weight Kg	Standard Volume m ³
158x92x95 cm	17144	1	10.0	1.75

Code	Balance tank	Spa model
11372	1.000 litres capacity, polyester	Casiopea, Formentera, Venecia, Coliseum, Odisea 20, Mirage 40
17144	1.000 litres capacity, PE	
27865	2.000 litres capacity, polyester	Olympia, Wellmax, Casiopea, Formentera, Venecia, Coliseum, Odisea 20, Mirage 40

ACCESSORIES

2 1/2" adjustable jet



Regulates proportion of air/water outlet. 50 mm diameter water inlet and 32 mm diameter air inlet. Flow: 2.2 m³/hour. Pressure of 0.8 atm.

Code	Standard Packaging	Standard Weight Kg	Standard Volume m ³
32641	12	7.625	0.028

2" threaded jet



50 mm diameter water inlet and 32 mm diameter air inlet. Flow 2.2 m³/hour. Pressure of 0.8 atm.

Code	Standard Packaging	Standard Weight Kg	Standard Volume m ³
33586	12	7.625	0.028

ACCESSORIES



Mini Jet spa for acrylic assembly

Designed to be mounted in acrylic spas to attach to pipes with a 20 and 10 mm inside diameter. The body is included.

Code	Standard Packaging	Standard Weight Kg	Standard Volume m ³
40804	25	3.30	0.028



2" drain for spas

With elbow for glueing to Ø 50 mm pipe.

Code	Standard Packaging	Standard Weight Kg	Standard Volume m ³
04042	15	4.8	0.028



Adjustable air inlet

1" for air regulation. Controls air to Venturi system.

Code	Standard Packaging	Standard Weight Kg	Standard Volume m ³
04045	25	6.0	0.028



Adjustable silent air inlet

Silent venturi for jet air flow control. Air intake is through embedded part. Attaches to air distributor code 33937.

Code	Standard Packaging	Standard Weight Kg	Standard Volume m ³
33938	25	8.5	0.028



5 outlet air distributor for venturi

5 outlet manifold for glueing to venturi with code 33938. Outlets for clamping a flexible hosepipe of 10 mm inner diameter.

Code	Standard Packaging	Standard Weight Kg	Standard Volume m ³
33937	25	8.5	0.028



6 outlet air distributor for venturi

6 outlet air distributor to attach to pipes with a 10 mm inside diameter and glue to 15 mm pipes. 6 water outlet manifold.

Code	Standard Packaging	Standard Weight Kg	Standard Volume m ³
33936	25	8.5	0.028

ACCESSORIES

10 outlet air distributor



10 outlet air distributor to attach to pipes with a 10 mm inside diameter and glue to 50 mm pipes. 10 water outlet manifold.

Code	Standard Packaging	Standard Weight Kg	Standard Volume m ³
35346	25	8.5	0.028

4 water outlet manifold



Manifold for gluing to 50 mm pipe, 4 outlets for clamping a hosepipe of 20 mm inner diameter.

Code	Standard Packaging	Standard Weight Kg	Standard Volume m ³
33934	25	8.5	0.028

8 water outlet manifold



Manifold for glueing to 50 mm pipe, 8 outlets for clamping a hosepipe 20 mm inner diameter.

Code	Standard Packaging	Standard Weight Kg	Standard Volume m ³
33935	25	8.5	0.028

Threaded blower nozzle



For air distribution into the SPA from of the blowers.

White plastic front panel
Stainless steel front panel

Code	Standard Packaging	Standard Weight Kg	Standard Volume m ³
27602	80	1.6	0.03
43440	80	1.6	0.03

Blower nozzle for glueing



For air distribution into the SPA by means of the blowers.

White plastic front panel
Stainless steel front panel

Code	Standard Packaging	Standard Weight Kg	Standard Volume m ³
28460	80	1.6	0.03
43441	80	1.6	0.03

Blower nozzle Lateral outlet 3/8"



For distribution into the SPA by means of the blowers.

White plastic front panel
Stainless steel front panel

Code	Standard Packaging	Standard Weight Kg	Standard Volume m ³
34318	80	1.6	0.03
43442	80	1.6	0.03

2" return unit



For return line and massage.

Code	Standard Packaging	Standard Weight Kg	Standard Volume m ³
04034	25	5.0	0.028

ACCESSORIES



Adjustable air impulsion inlet

New

Adjustable air impulsion inlet. For air distribution by means of the blowers. Maximum flow rate 18 m³/h.

Code	Standard Packaging	Standard Weight Kg	Standard Volume m ³
49818	12	4.24	0.021

09667

04047



04048

Pneumatic pressbutton

To operate air blowers, jets and massage jets.

For maximum 15 m
For maximum 7 m single
For maximum 7 m single, thread

Code	Standard Packaging	Standard Weight Kg	Standard Volume m ³
04047	20	0.5	0.028
04048	40	1.6	0.028
09667	20	0.5	0.028

Plastic tube

For pneumatic signal from pressbutton to switch. Inner Ø 3.5 mm.

Code	Standard Packaging	Standard Weight Kg	Standard Volume m ³
04054	50	3.33	0.006

Rotating jet



Code	Standard Packaging	Standard Weight Kg	Standard Volume m ³
20297	25	3.33	0.028

Twin rotating jet



Code	Standard Packaging	Standard Weight Kg	Standard Volume m ³
20296	25	3.83	0.028

Rotating jet housing



Code	Standard Packaging	Standard Weight Kg	Standard Volume m ³
20299	15	3.33	0.028

ACCESSORIES

Movable tube jet nozzle, in substitution of a fixed one



Compatible with code 20295 and 20299

Code	Standard Packaging	Standard Weight Kg	Standard Volume m ³
20298	1	0.8	0.001

2 1/2" wall conduit for rotating jet



Made up of: The jet body, 20 cm wall conduit, niche, threaded fitting, front body. Jet not included.

Code	Standard Packaging	Standard Weight Kg	Standard Volume m ³
20295	4	4	0.018

ACCESSORIES FOR MINISPAS

Chrome accessories suitable only for baths that use no chemical treatment

1 1/2" Drain



With elbow to connect to 50mm pipe

Chrome-plated bronze front panel

Code	Standard Packaging	Standard Weight Kg	Standard Volume m ³
04104	3	7.5	0.028

Air controller



3/4", controls air massage to Venturi system for jet function

Chrome-plated bronze front panel
White plastic front panel

Code	Standard Packaging	Standard Weight Kg	Standard Volume m ³
04108	10	9.0	0.028
04110	10	3.0	0.028

Pneumatic switch



For the starting and stopping of massage and hydromassage functions.

Chrome-plated bronze front panel
White plastic front panel

Code	Standard Packaging	Standard Weight Kg	Standard Volume m ³
04111	10	6.0	0.028
04113	12	6.0	0.028

ACCESSORIES FOR MINISPAS

Blower Inlet



For air distribution in the MINI-SPA by using the air blower. 1/2" thread. Lateral air outlet, adjustable and non-return system.

	Code	Standard Packaging	Standard Weight Kg	Standard Volume m ³
Chrome-plated bronze front panel	04114	20	7.5	0.028

1 1/4" jet with adapter to water return



Jet with adaptor to return water to pipe. Also adaptor to connect to water return and air circulation pipe, solvent for inner Ø 32 mm. Directional.

	Code	Standard Packaging	Standard Weight Kg	Standard Volume m ³
Chromed-plated bronze front panel (inlet 04100)	04095	8	12.0	0.028
White plastic front panel (inlet 04103)	04097	12	12.0	0.028

Jet 1 1/4"



With adaptor to connect to return water pipe and Venturi to glue to Ø 32 mm pipe. Directional.

	Code	Standard Packaging	Standard Weight Kg	Standard Volume m ³
Chromed-plated bronze front panel (inlet 04100)	04092	8	10.0	0.028
White plastic front panel (inlet 04103)	04094	24	5.0	0.028

1 1/4" return inlet



	Code	Standard Packaging	Standard Weight Kg	Standard Volume m ³
Chromed plated	04100	4	15.0	0.028
White plastic	04103	12	3.5	0.028

ELECTRICAL COMPONENTS SPA / MINISPA

Programmable digital thermostat



To operate ON/OFF contactor.

Code	Standard Packaging	Standard Weight Kg	Standard Volume m ³
11288	20	0.5	0.003

Electric press button



230 V 50 Hz.

Code	Standard Packaging	Standard Weight Kg	Standard Volume m ³
33387	1	1.5	0.003

Electropneumatic equipment



With two switches. Up to 1.47 kW (2 HP).

Code	Standard Packaging	Standard Weight Kg	Standard Volume m ³
04053	2	4.0	0.028

Pneumatic switch



For the starting and stopping of air massage and hydromassage functions.

	Code	Standard Packaging	Standard Weight Kg	Standard Volume m ³
Pneumatic switch	04050	25	1.0	0.028
Double pneumatic switch	11290	6	0.5	0.028
Pneumatic presostat	11291	12	1.0	0.028

AIR BLOWERS



Continuous operation lateral turbo blower pump

Air pump designed for spas, baths, hydromassage installations and similar which produces a constant stream of air bubbles at medium and high air volume levels. It can also be used to stir up the filter bed, for example in back wash cycles where a low intensity air current is required. The filter casing and impeller are made from an injected aluminium alloy whilst the motor spindle is manufactured from stainless steel, with the impeller dynamically balanced and directly adapted to the spindle. The motors, single phase or 3 phase for continuous use, are made from steel in compliance with CEI 2/3 1988 regulations, and feature IP54 external protection and class-F insulation. The standard voltages are 100-120/200-240V for the monophase range and 200-240/380-440V for the triphase models, at 50/60Hz. The pumps can be mounted horizontally or vertically. Moreover, since there is no contact between the mobile parts and the pump static discharges, neither lubrication nor maintenance is necessary and it also doesn't cause wear on the parts. The turbines have a maximum working temperature of 40°C. Do not use in conjunction with aggressive, inflammable or explosive gases. Please consult for technical variations.

Model	Code	Frequency (Hz)	Electrical supply (V)	Phase	Flow (m3/h)	Max. Pressure (mbar)	Standard Weight kg	Standard Volume m3
Blower 0.4 kW	33970	50	Δ 200-240 Y 345-415	3	80	130	10	0.045
Blower 0.5 kW		60	Δ 220-275 Y 380-480	3	98	170		
Blower 0.85 kW	35387	50	200-240	1	145	160	17	0.045
Blower 0.95 kW		60	200-240	1	175	160		
Blower 0.85 kW	35388	50	Δ 200-240 Y 345-415	3	145	160	16	0.059
Blower 0.95 kW		60	Δ 220-275 Y 380-480	3	175	160		
Blower 1.3 kW	31090	50	200-240	1	210	170	23	0.059
Blower 1.5 kW		60	200-240	1	255	140		
Blower 1.3 kW	31091	50	Δ 200-240 Y 345-415	3	210	170	22	0.059
Blower 1.5 kW		60	Δ 220-275 Y 380-480	3	255	140		
Blower 1.5 kW	33971	50	200-240	1	210	220	24	0.064
Blower 1.75 kW		60	200-240	1	255	220		
Blower 1.6 kW	31092	50	Δ 200-240 Y 345-415	3	210	220	23	0.064
Blower 2.1 kW		60	Δ 220-275 Y 380-480	3	255	220		
Blower 1.6 kW 2V	35389	50	Δ 200-240 Y 345-415	3	150	300	25	0.087
Blower 2.06 kW 2V		60	Δ 220-275 Y 380-480	3	180	310		
Blower 2.2 kW	31093	50	Δ 200-240 Y 345-415	3	318	230	30	0.097
Blower 2.55 kW		60	Δ 220-275 Y 380-480	3	376	220		
Blower 3.0 kW 2V	31094	50	Δ 200-240 Y 345-415	3	230	410	40	0.126
Blower 3.45 kW 2V		60	Δ 220-275 Y 380-480	3	275	400		
Blower 3.0 kW	31095	50	Δ 200-240 Y 345-415	3	318	280	36	0.097
Blower 3.45 kW		60	Δ 220-275 Y 380-480	3	376	280		
Blower 4.3 kW 2V	31096	50	Δ 345-415 Y 600-720	3	520	600	54	0.217
Blower 4.8 kW 2V		60	Δ 380-480 Y 660-720	3	385	320		
Blower 5.5 kW	31097	50	Δ 345-415 Y 600-720	3	530	320	63	0.16
Blower 6.3 kW		60	Δ 380-480 Y 660-720	3	620	340		
Blower 5.5 kW 2V	33972	50	Δ 345-415 Y 600-720	3	320	515	66	0.201
Blower 6.3 kW 2V		60	Δ 380-480 Y 660-720	3	385	530		
Blower 7.5 kW	31098	50	Δ 345-415 Y 600-720	3	530	400	66	0.16
Blower 8.6 kW		60	Δ 380-480 Y 660-720	3	620	400		
Blower 11 kW 2V	33973	50	Δ 345-415 Y 600-720	3	520	600	104	0.353
Blower 12.6 kW 2V		60	Δ 380-480 Y 660-720	3	620	600		
Blower 12,5 kW	33974	50	Δ 345-415 Y 600-720	3	1050	270	116	0,353
Blower 14,5 kW		60	Δ 380-480 Y 660-720	3	1250	260		



Intermittent operation air blower, 900 W

	Code	Standard Packaging	Standard Weight Kg	Standard Volume m ³
0.90 kW Flow 54 m ³ /h at 1.5 m water head	19289	1	3.5	0.028

AIR BLOWERS

Massage pump



Body in ABS and 75% fibreglass. 0.37 kW (0.5 HP) motor. Electric protection IP-55 220 V 1~50Hz. 2" male suction connection. 1 1/2" male return connection.

TECHNICAL FEATURES

m.h.w.	m ³ /h
2	16.5
4	14.8
6	12.6
8	10
10	7

Code	Standard Packaging	Standard Weight Kg	Standard Volume m ³
04091	1	6.0	0.016

Intermittent operation air blower



0.74 kW Flow 65 m³/h at 1 m water head
1.10 kW Flow 133 m³/h at 1 m water head

Code	Standard Packaging	Standard Weight Kg	Standard Volume m ³
06862	1	3.5	0.028
06863	1	3.5	0.028

SAUNA

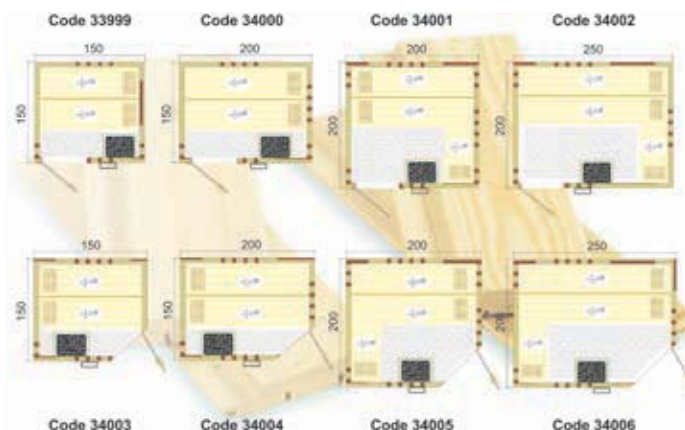
Saunas



Sauna cabin assembled from prefabricated modular panel elements made of Finnish spruce. Door with bronze coloured window set with handle and lock. Benches and head rest made of Abachi. Sauna light with shade of Abachi. Ventilation and air renovation holes. Heater protection fence. Exterior digital control installed, controlling light, temperature, time of operation and delayed start time. Protection IP-34.



Code	Type	Width	Length	Height	Heater kW	N° Benches	N° people	
							Seating	Laying
33999	1.5 x 1.5 x 2.1	136	136	203	4.5	2	3	2
34000	2 x 1.5 x 2.1	186	136	203	6	2	4	2
34001	2 x 2 x 2.1	186	186	203	6	3	5	3
34002	2.5 x 2 x 2.1	236	186	203	8	3	6	3
34003	1.5 x 1.5 x 2.1 corner	136	136	203	4.5	2	3	2
34004	2 x 1.5 x 2.1 corner	186	136	203	6	2	4	2
34005	2 x 2 x 2.1 corner	186	186	203	6	3	5	3
34006	2.5 x 2 x 2.1 corner	236	186	203	8	3	6	3



SAUNA ACCESSORIES



Infrared saunas

Prefabricated modular cabin in Hemlock Fir of Birch colour. Door with tempered glass window, set with handles and lock. Benches and head rest of fir, Birch colour. High quality ceramic heaters. Light inside and also outside for corner saunas. Radio CD player with 2 speakers. With chromotherapy. Back rest made of wood. Two control panels, one inside the cabin and another one outside:

- Temperature control
- Operation time control
- Light control

	Code	Standard Packaging	Standard Weight Kg	Standard Volume m ³
120 x 105 x 190 h	37237CR	1	-	-
155 x 110 x 190 h	37238CR	1	-	-
155 x 60 x 120 x 190 h corner	37239CR	1	-	-
175 x 120 x 190 h	37240CR	1	-	-
210 x 115 x 190 h	37241CR	1	-	-

Code	Type	Width	Length	Height	Heater kW	N° Benches	N° people	
		Inside dimensions in mm					Seating	Laying
37237CR	120 X 105 x 190 h	1130	910	1740	1.80	1	2	0
37238CR	155 x 110 x 190 h	1482	978	1740	2.00	1	3	0
37239CR	155 x 60 x 120 x 190 h corner	1400	1155	1715	2.00	2	4	0
37240CR	175 x 120 x 190 h	1615	1120	1715	2.20	2	4	0
37241CR	210 x 115 x 190 h	2020	1010	1740	2.40	1	5	1



Sauna accessories

Code	Type accessory
34007	Timber door with bronze coloured glass window
34008	Full bronze coloured glass door
34009	Sauna box: thermohygrometer, wooden bucket with ladle, sand timer, sauna's fragrance one bottle 50 ml
34010	Timber ventilation grille
34011	Timber head rest wood
34065	Fragrance bottles 50 ml: pine, eucalyptus, birch, lemon, spruce, peppermint
34066	Fragrance bottles 250 ml: pine, eucalyptus, birch, peppermint



Sauna heater

	Code	Standard Packaging	Standard Weight Kg	Standard Volume m ³
Power 4.5 kW - Sauna volume 3-6 m ³	34012	1	-	-
Power 6 kW - Sauna volume 5-9 m ³	34013	1	-	-
Power 8 kW - Sauna volume 7-12 m ³	34014	1	-	-
Power 9 kW - Sauna volume 8-13 m ³	34015	1	-	-

Digital control

Light control, temperature control, operation time control, delayed start time and protection IP-34.

Code	Standard Packaging	Standard Weight Kg	Standard Volume m ³
34016	1	-	-

POOL HEATING



- 496 • Introduction
- 498 • Heat pumps
- 501 • Air/water heat pumps with axial ventilator, for outdoor installation – american style model
- 506 • Air/water heat pumps with centrifugal ventilator, for indoor installation
- 510 • Pool Chillers
- 512 • Heat exchangers
- 517 • Water/water plate heat exchanger
- 521 • Pool & Spa gas heaters
- 522 • Solar heat collectors
- 523 • Dehumidifiers

INTRODUCTION

When we decide to build a pool, certain questions and doubts may arise about their use and enjoyment by users.

How many months will I be able to enjoy my pool?



Will the water temperature be pleasant in May and June?

Or even in September and October?

Can I swim early in the morning or late at night?

These and other similar questions have just one answer: it depends. It depends on the weather conditions in your area.

But if you don't wish to depend exclusively on external factors and wish to have a longer swimming season with a water temperature to suit you, then you need to heat your pool. New questions then arise:



How long can we extend the swimming season?

What options exist for heating the water?

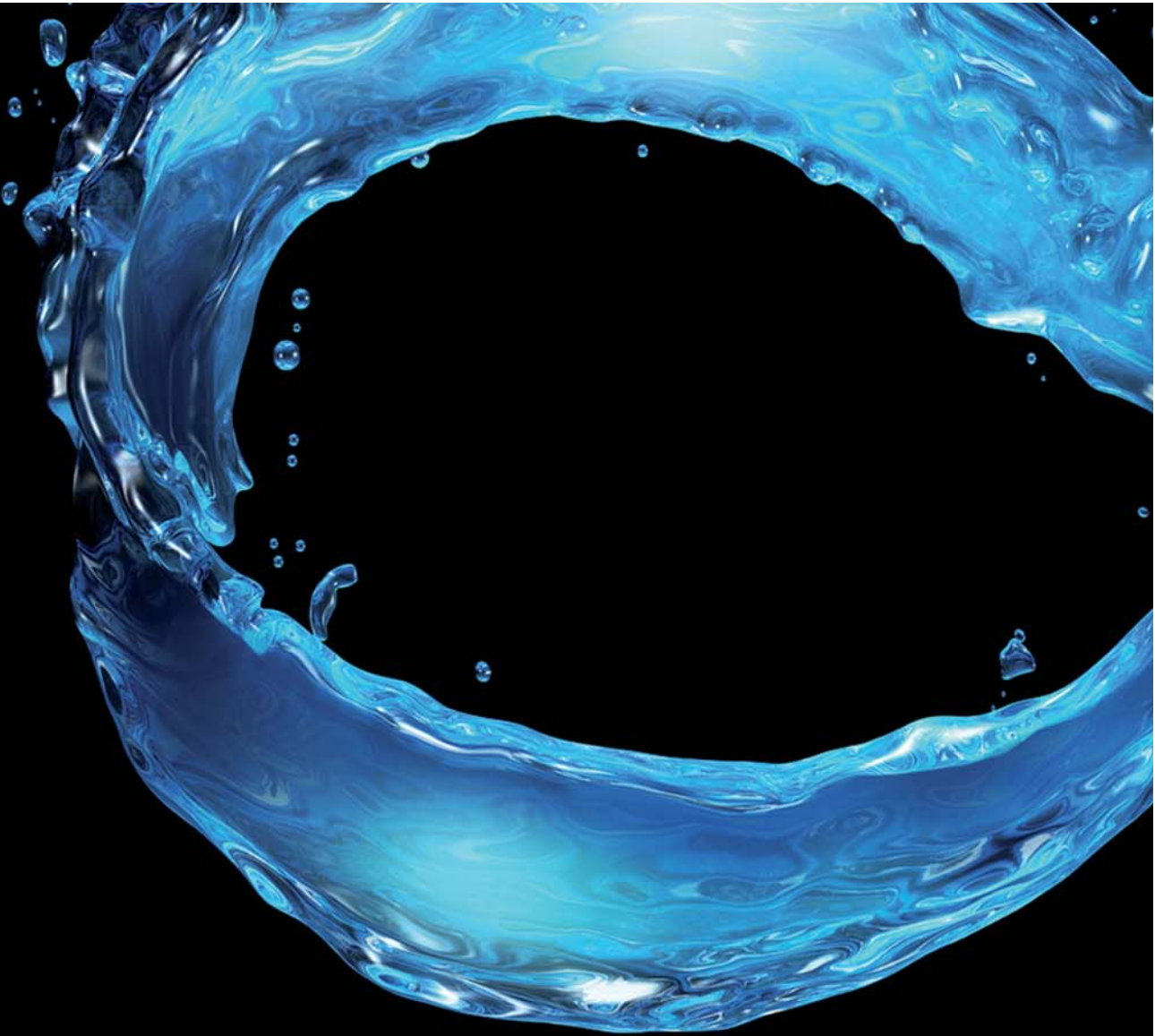
What is the best solution?

Is it very expensive?



Once you have reached to this point, the next step is to get advice from AstralPool professionals. Our experience of over 30 years in the pool and pool equipment sector enables us to offer the best solutions to individual needs and always with the guarantee of a market leader.

Introduction



Алматы (7273)495-231
Ангарск (3955)60-70-56
Архангельск (8182)63-90-72
Астрахань (8512)99-46-04
Барнаул (3852)73-04-60
Белгород (4722)40-23-64
Благовещенск (4162)22-76-07
Брянск (4832)59-03-52
Владивосток (423)249-28-31
Владикавказ (8672)28-90-48
Владимир (4922)49-43-18
Волгоград (844)278-03-48
Вологда (8172)26-41-59
Воронеж (473)204-51-73
Екатеринбург (343)384-55-89

Иваново (4932)77-34-06
Ижевск (3412)26-03-58
Иркутск (395)279-98-46
Казань (843)206-01-48
Калининград (4012)72-03-81
Калуга (4842)92-23-67
Кемерово (3842)65-04-62
Киров (8332)68-02-04
Коломна (4966)23-41-49
Кострома (4942)77-07-48
Краснодар (861)203-40-90
Красноярск (391)204-63-61
Курск (4712)77-13-04
Курган (3522)50-90-47
Липецк (4742)52-20-81

Магнитогорск (3519)55-03-13
Москва (495)268-04-70
Мурманск (8152)59-64-93
Набережные Челны (8552)20-53-41
Нижний Новгород (831)429-08-12
Новокузнецк (3843)20-46-81
Ноябрьск (3496)41-32-12
Новосибирск (383)227-86-73
Омск (3812)21-46-40
Орел (4862)44-53-42
Оренбург (3532)37-68-04
Пенза (8412)22-31-16
Петрозаводск (8142)55-98-37
Псков (8112)59-10-37
Пермь (342)205-81-47

Ростов-на-Дону (863)308-18-15
Рязань (4912)46-61-64
Самара (846)206-03-16
Санкт-Петербург (812)309-46-40
Саратов (845)249-38-78
Севастополь (8692)22-31-93
Саранск (8342)22-96-24
Симферополь (3652)67-13-56
Смоленск (4812)29-41-54
Сочи (862)225-72-31
Ставрополь (8652)20-65-13
Сургут (3462)77-98-35
Сыктывкар (8212)25-95-17
Тамбов (4752)50-40-97
Тверь (4822)63-31-35

Тольятти (8482)63-91-07
Томск (3822)98-41-53
Тула (4872)33-79-87
Тюмень (3452)66-21-18
Ульяновск (8422)24-23-59
Улан-Удэ (3012)59-97-51
Уфа (347)229-48-12
Хабаровск (4212)92-98-04
Чебоксары (8352)28-53-07
Челябинск (351)202-03-61
Череповец (8202)49-02-64
Чита (3022)38-34-83
Якутск (4112)23-90-97
Ярославль (4852)69-52-93

Россия +7(495)268-04-70

Казахстан +7(7172)727-132

Киргизия +996(312)96-26-47

<https://astralpool.nt-rt.ru/> || aow@nt-rt.ru